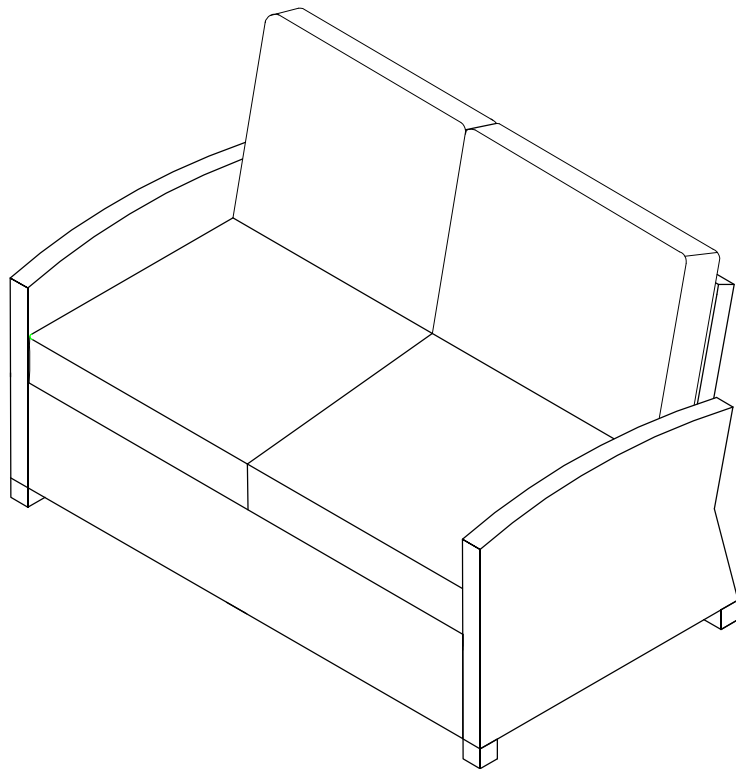
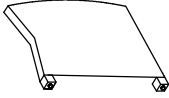
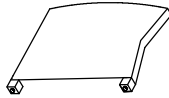


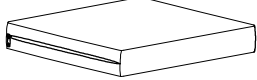





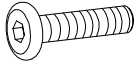
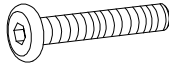
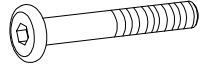
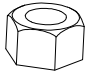

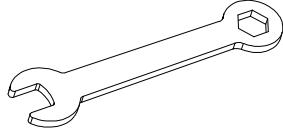
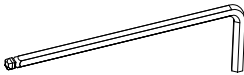
Outdoor Wicker Loveseat



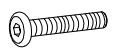
PART LIST

					
Left Arm Panel		Right Arm Panel		Back Panel	
A	1PC	B	1PC	C	1PC
					
Seat Panel		Cover Of Seat Cushion		Inner Of Seat Cushion	
D	1PC	E	2PCS	F	2PCS
					
Cover Of Back Cushion		Inner Of Back Cushion			
G	2PCS	H	2PCS		

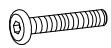
HARDWARE LIST

					
Short Bolt(M6*40mm)		Medium Bolt(M6*55mm)		Long Bolt(M6*65mm)	
I	2PCS	J	4PCS	K	7PCS
					
Nut(M6mm)		Washer(M6mm)		Wrench(M6mm)	
L	7PCS	M	20PCS	N	1PC
					
Allen Key(M6mm)					
O	1PC				

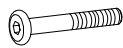
EXTRA HARDWARE LIST



I X1PC



J X1PC



K X2PCS

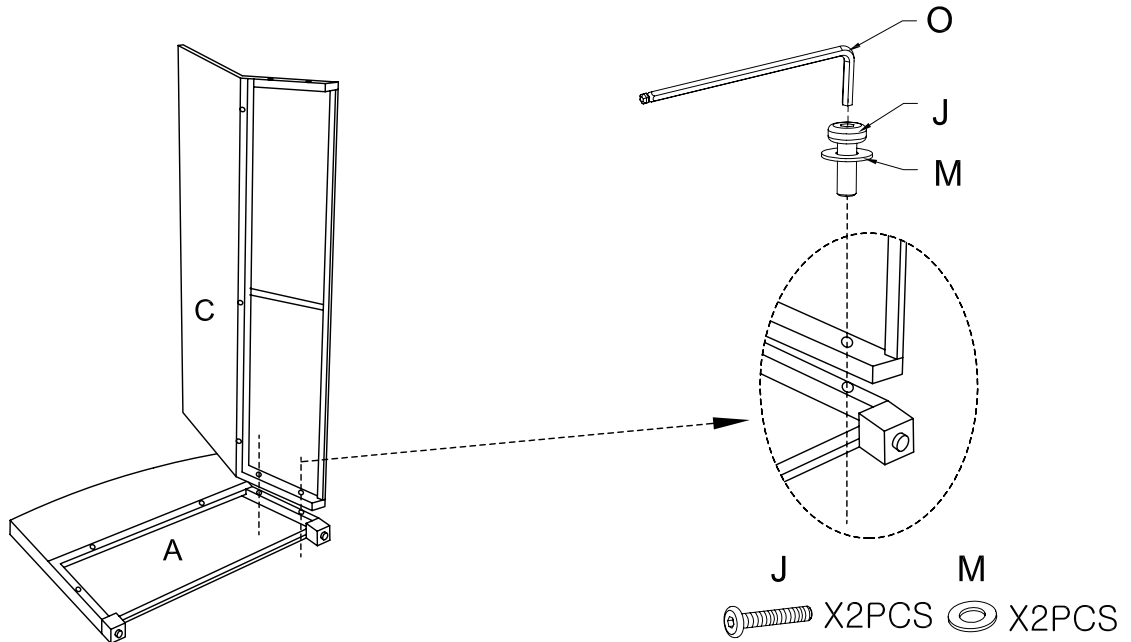


L X2PCS

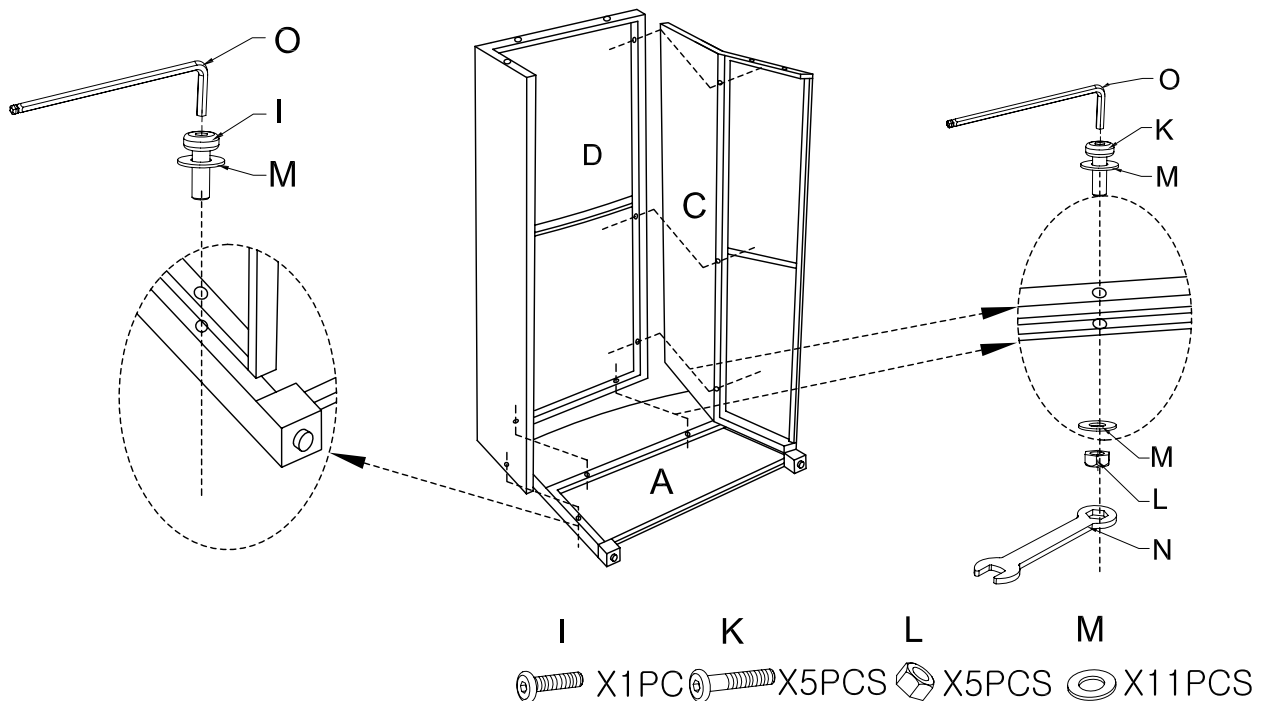


MX3PCS

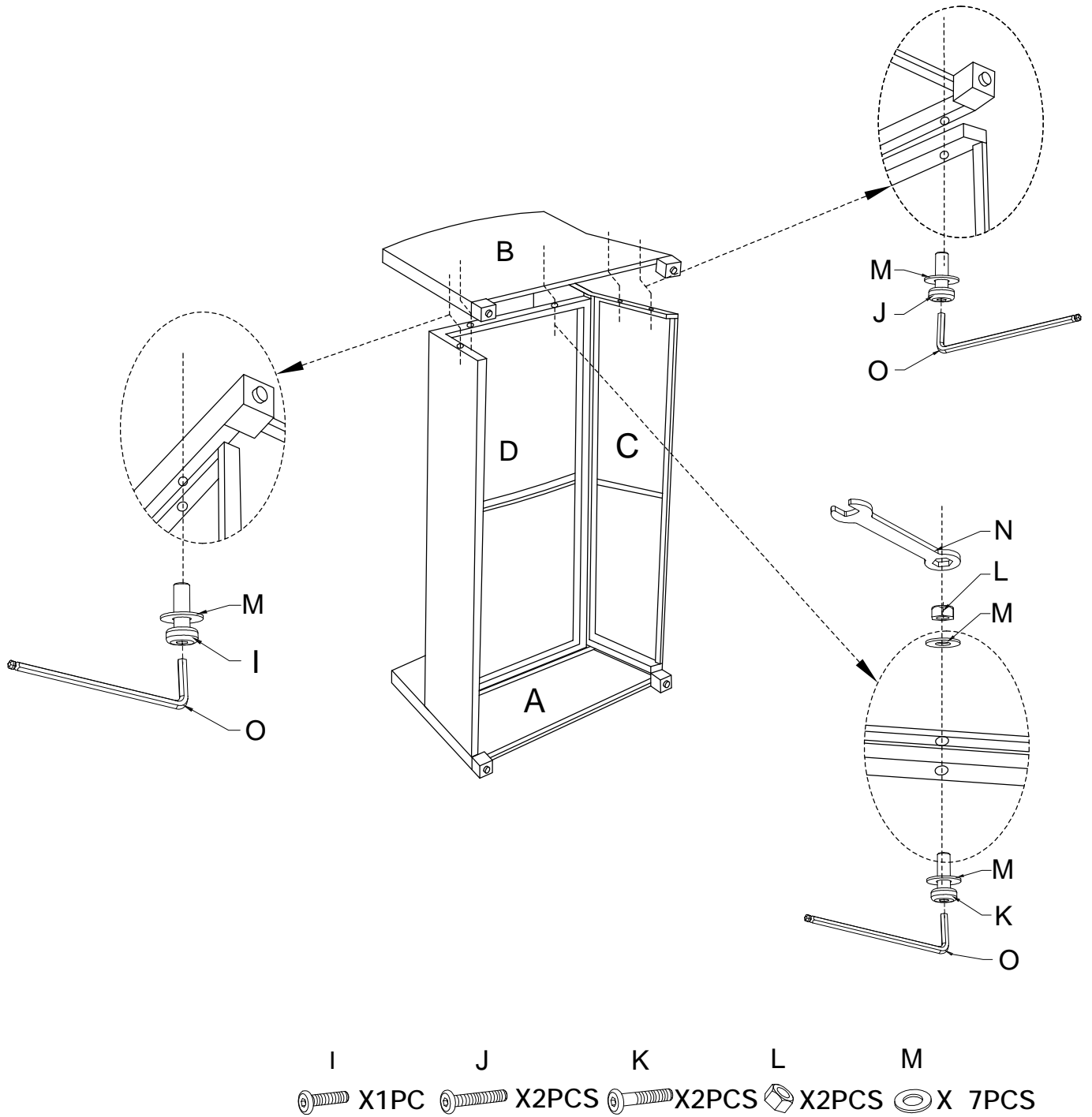
Step 1. Lay Left Arm Panel (A) down on a flat surface. Attach Back Panel(C) to Left Arm Panel(A) using the Medium Bolts(J), Washers(M) & Allen Key (O).
 NOTE: Please do not fully tighten bolts until unit is fully assembled.



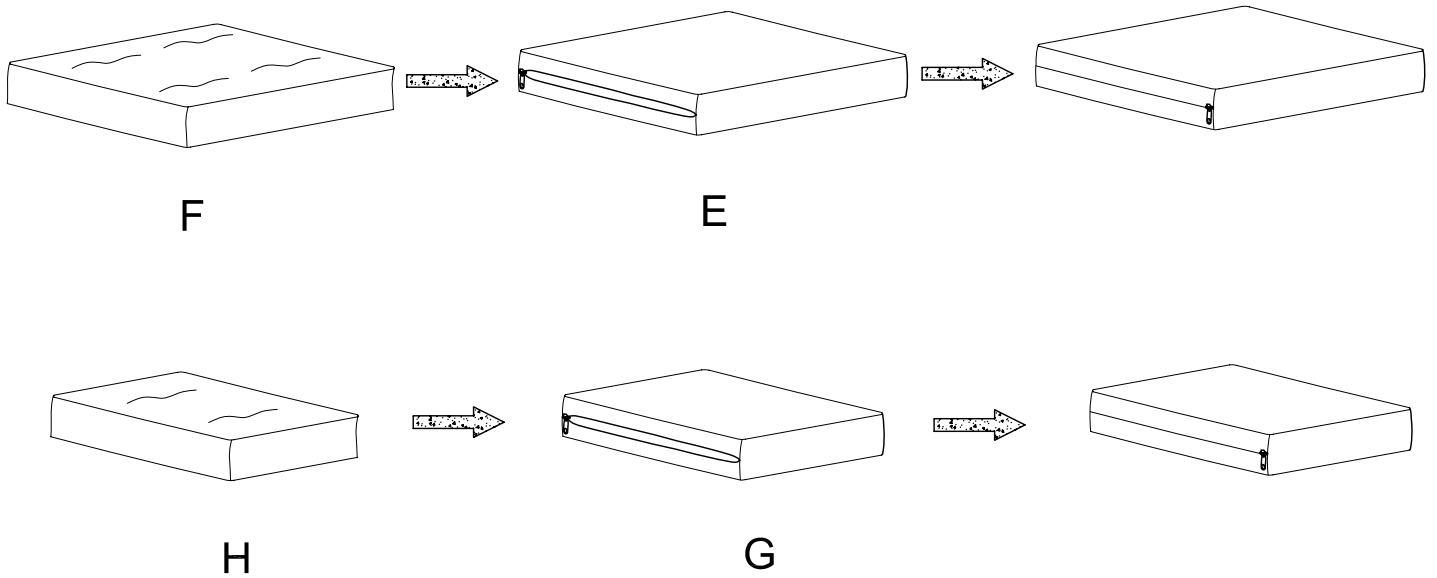
Step 2. Attach Seat Panel(D) to Left Arm Panel(A) and Back Panel (C) using the Short Bolts(I), Long Bolts(K), Washers(M), Nuts(L), Wrench (N) & Allen Key (O).



Step 3. Attach Right Arm Panel(B) to assembled parts(A,C&D) using Short Bolts (I),Medium Bolts (J),Long Bolts (K),Washers (M), Nuts (L),Wrench (N) and Allen Key (O) .



Step 4. Insert Inner Of Seat Cushion (F) into Cover Of Seat Cushion (E).
Insert Inner Of Back Cushion (H) into Cover Of Back Cushion (G).



Step 5. Place Seat Cushion and Back Cushion on the loveseat.

