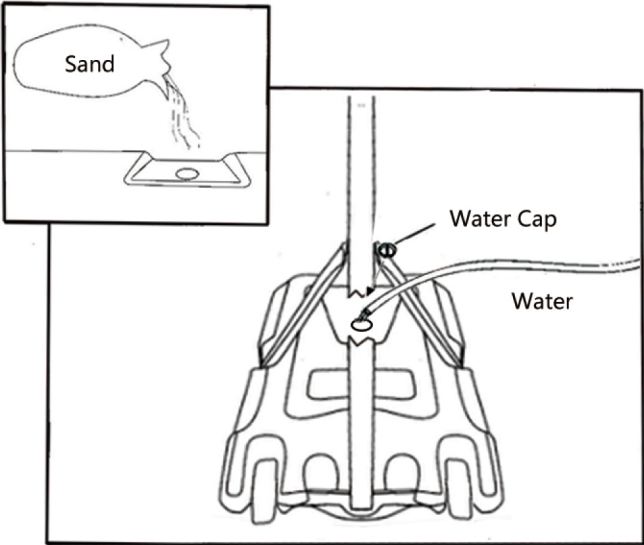


Basketball System



Filling the Base(S) with water or sand to keep steady.



WARNING:
IMPROPER INSTALLATION
OR SWINGING ON THE RING
MAY CAUSE SERIOUS INJURY
OR DEATH

Notice to assemblers:

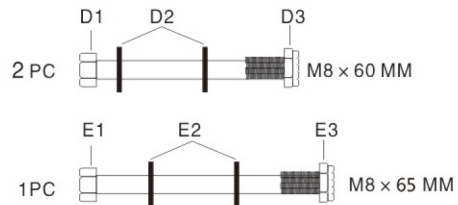
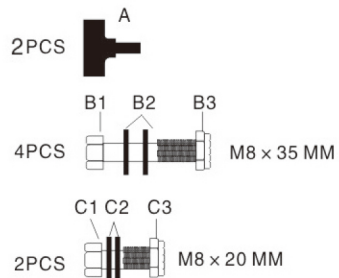
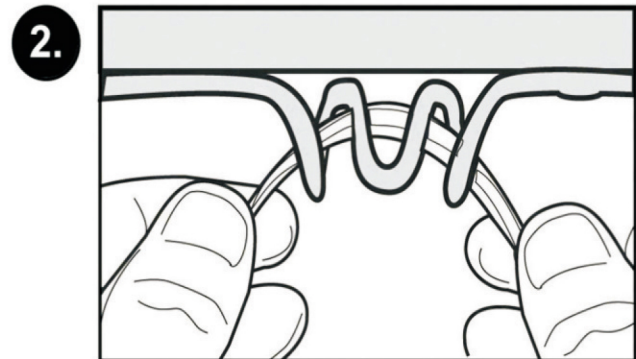
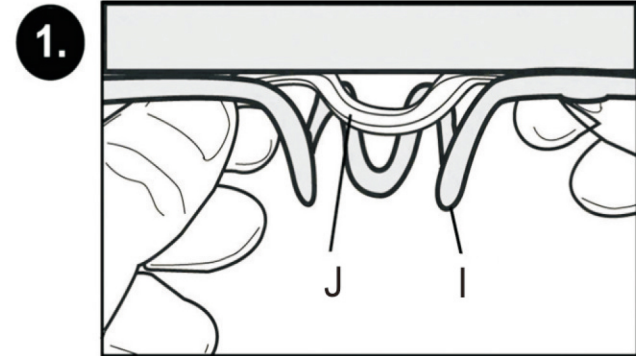
All the basketball systems, including those used for displays must be assembled and ballasted according to instructions. Failure to follow instructions could result in serious injury. Please read all warnings and cautions before assembly. It is recommended to supervise children as they play with this product. This product is to be assembled by 2 adults only!

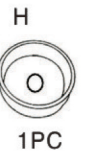
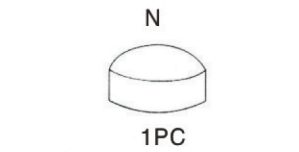
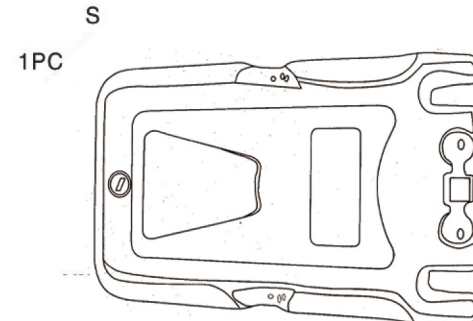
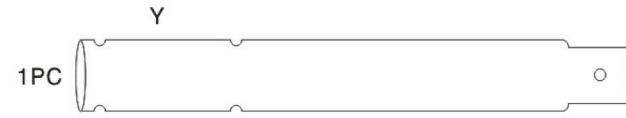
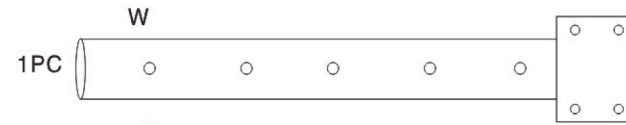
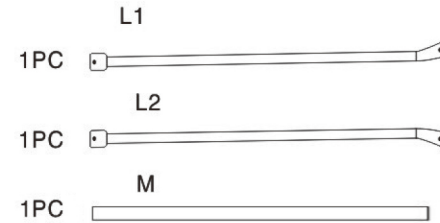
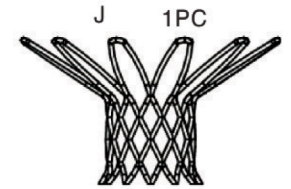
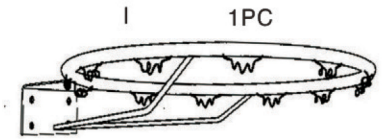
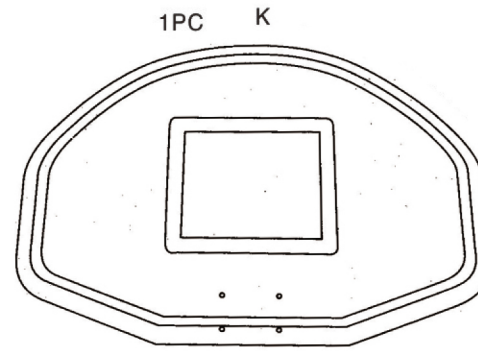
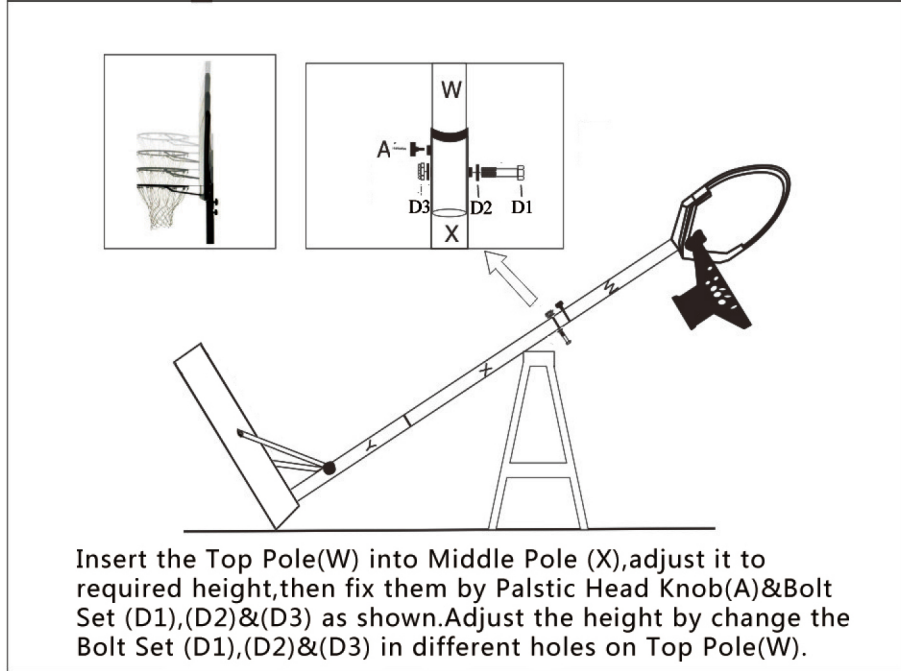
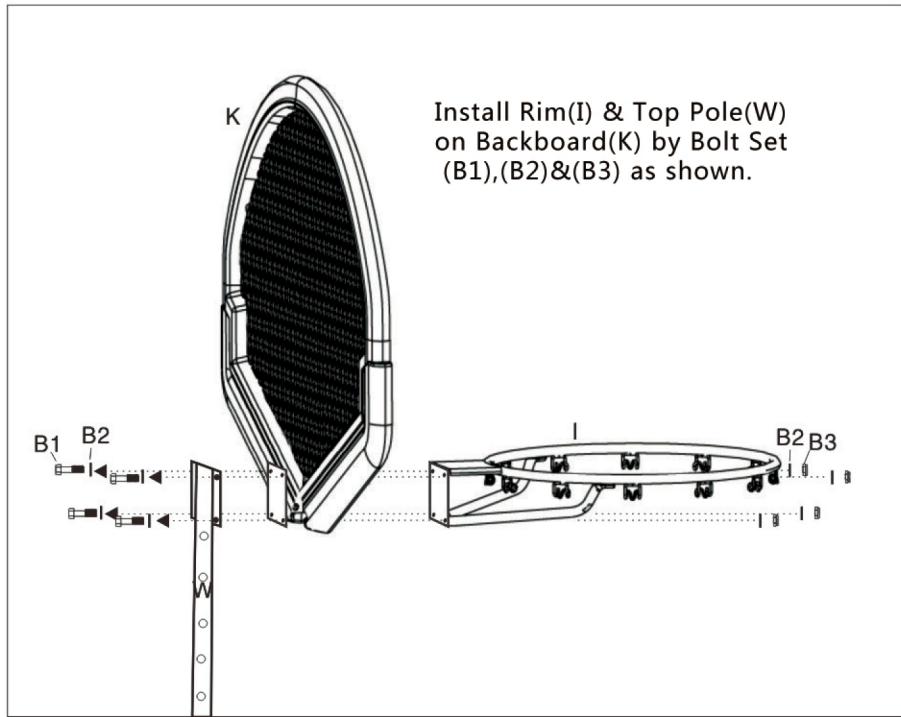
We appreciate your purchasing one of our many fine products. We are assured that you will be very satisfied with your selection.

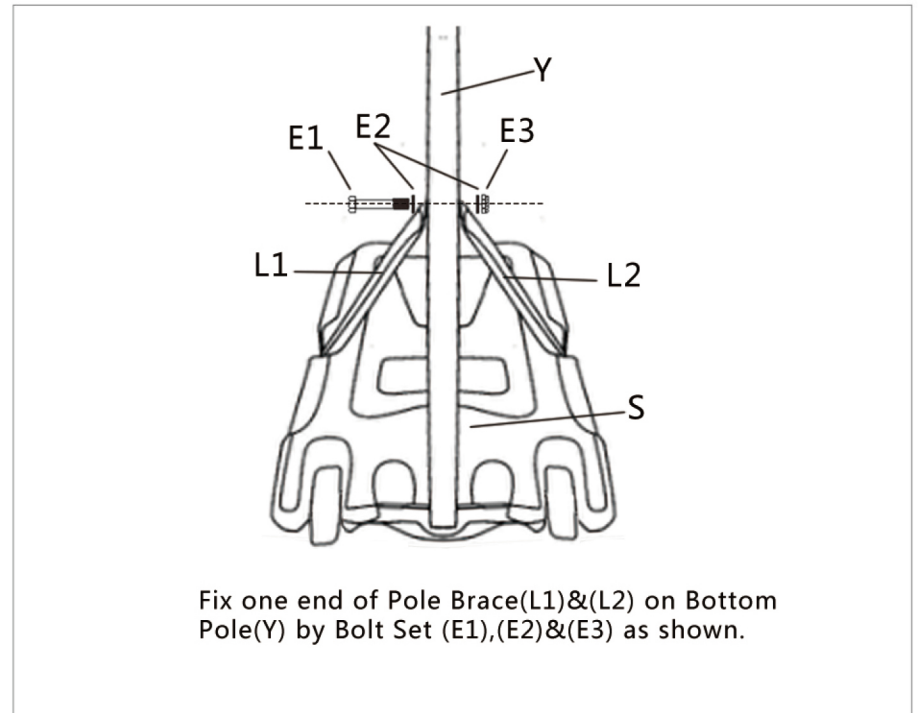
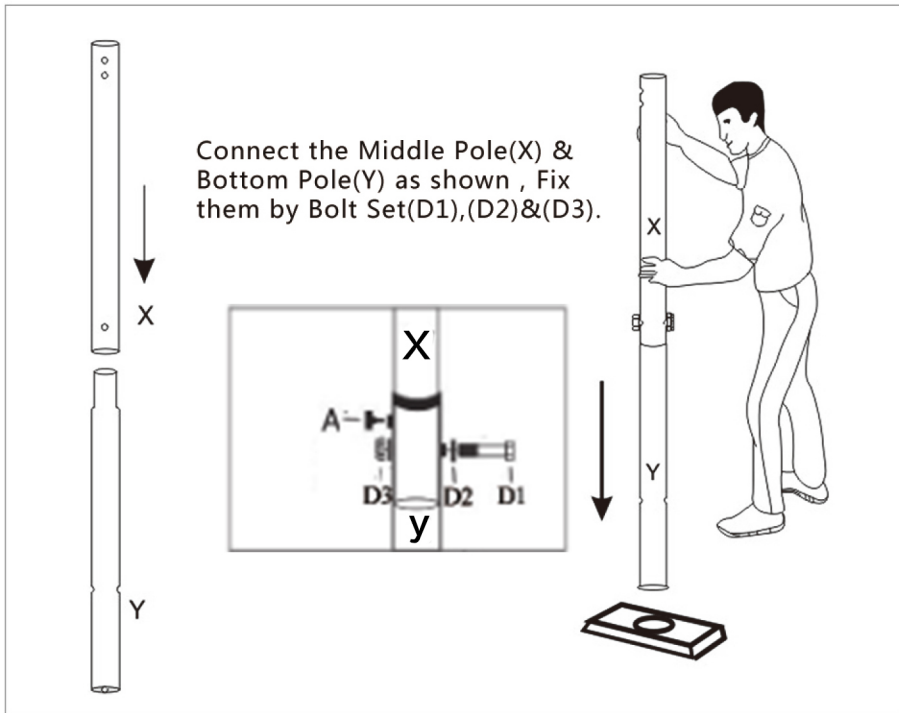
PART LIST

Part No.	Name & Specification	Qty	Remarks
A	Plastic head knob	2	Fix Top Pole(W) On Middle Pole(X)
B1、 B2、 B3	Bolt, M8 × 35 MM	4	Connect Rim(I),backboard(K) & Top Pole(W)
C1、 C2、 C3	Bolt, M8 × 20 MM	2	Connect Base(S) & Base Brace (L1),(L2)
D1、 D2、 D3	Bolt, M8 × 60 MM	2	Connect Middle Pole (X) & Bottom Pole(Y),And connect Top pole(W) & Middle Pole (X)
E1、 E2、 E3	Bolt, M8 × 65 MM	1	Connect Bottom Pole(Y) & Base Brace(L1),(L2)
G	Wheel	2	
H	Water Cap	1	
I	Rim	1	
J	Net	1	
K	Backboard	1	
L1	Right Brace	1	
L2	Left Brace	1	
M	Wheel Shaft	1	
N	Pole Cap	1	
W	Top Pole	1	
X	Middle Pole	1	
Y	Bottom Pole	1	
S	Base	1	

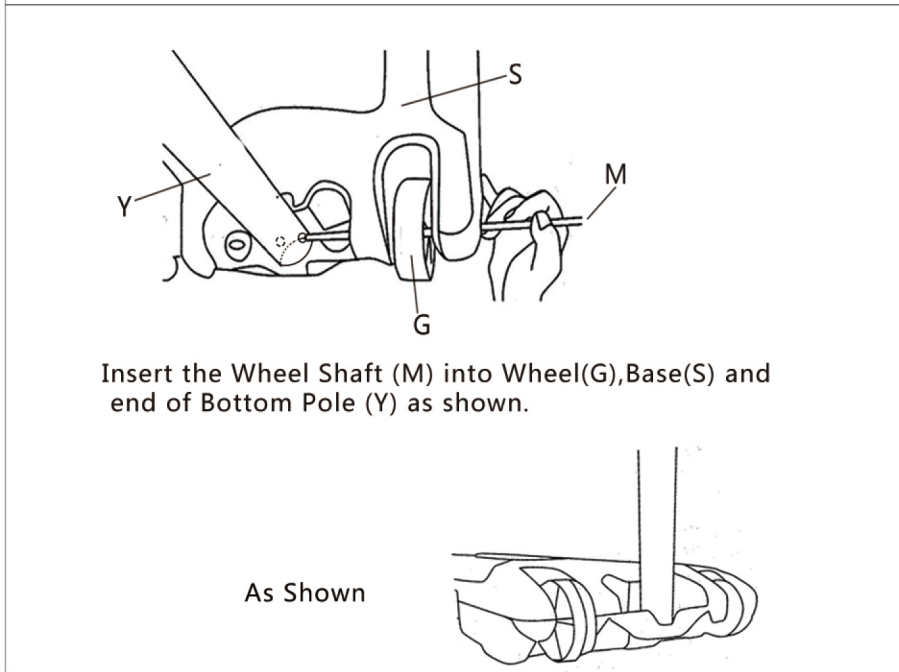
Install Net (J) on Rim (I) as shown.



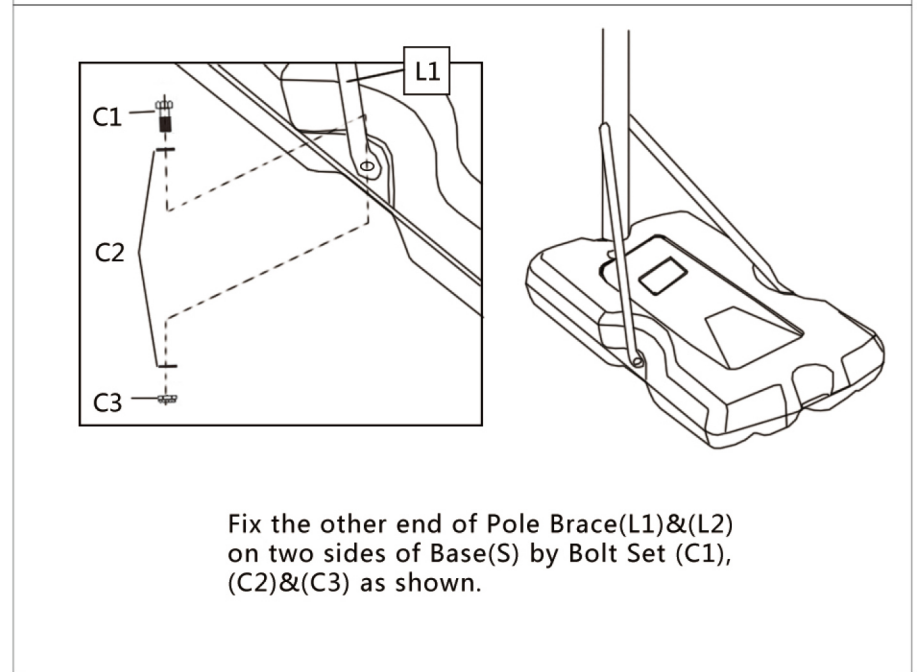




Fix one end of Pole Brace(L1)&(L2) on Bottom Pole(Y) by Bolt Set (E1),(E2)&(E3) as shown.



As Shown



Fix the other end of Pole Brace(L1)&(L2) on two sides of Base(S) by Bolt Set (C1), (C2)&(C3) as shown.