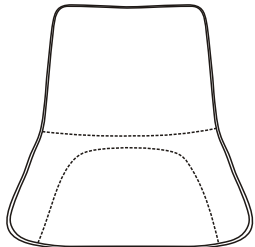
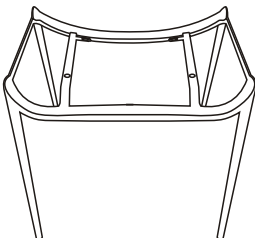














DINING CHAIR

(GRAY&STAINLESS)

PART LIST/Liste des pièces

(1)	(2)	(3)																
 <p style="text-align: right; margin-right: 10px;">X1</p>	 <p style="text-align: right; margin-right: 10px;">X1</p>	<table style="width: 100%; border: none;"> <tr> <td style="width: 5%;">1.</td> <td style="width: 15%;"></td> <td style="width: 10%;">X2</td> <td style="width: 10%;">M4*25mm</td> </tr> <tr> <td>2.</td> <td></td> <td>X2</td> <td>M4*20mm</td> </tr> <tr> <td>3.</td> <td></td> <td>X4</td> <td></td> </tr> <tr> <td>4.</td> <td></td> <td>X1</td> <td></td> </tr> </table>	1.		X2	M4*25mm	2.		X2	M4*20mm	3.		X4		4.		X1	
1.		X2	M4*25mm															
2.		X2	M4*20mm															
3.		X4																
4.		X1																

INSTRUCTION

A

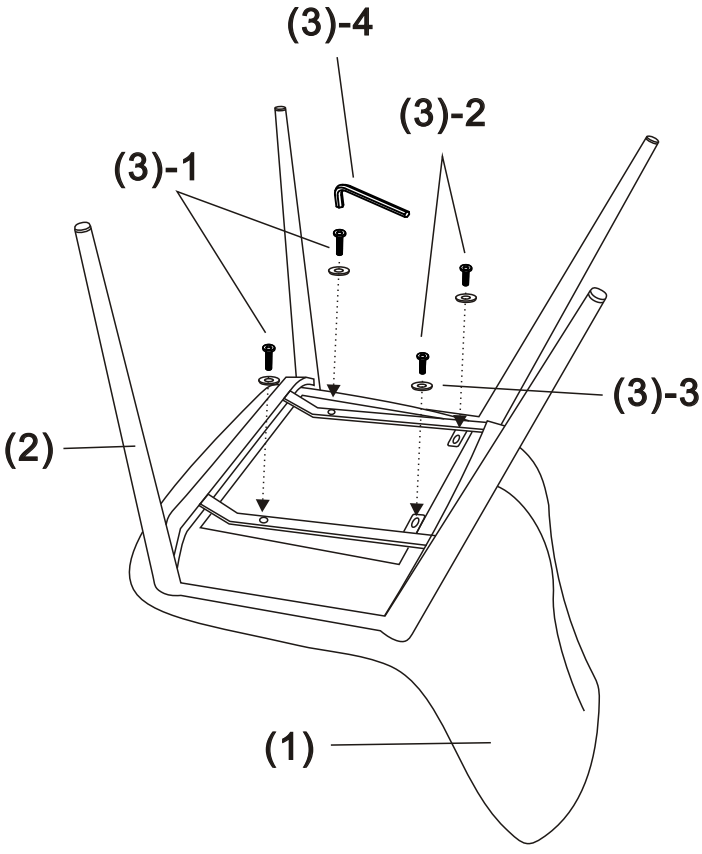


Diagram A illustrates the assembly of the seat (1) onto the chair frame (2). The seat is positioned on the frame, and screws (3)-1 and (3)-2 are used to secure it. Washers (3)-3 and Allen keys (3)-4 are also shown as part of the assembly process.

B

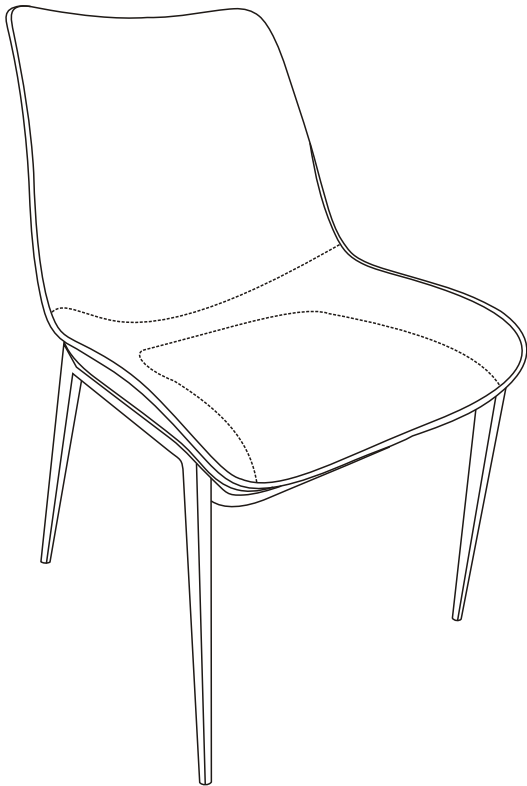


Diagram B shows the final assembled dining chair, consisting of the seat (1) and the frame (2).