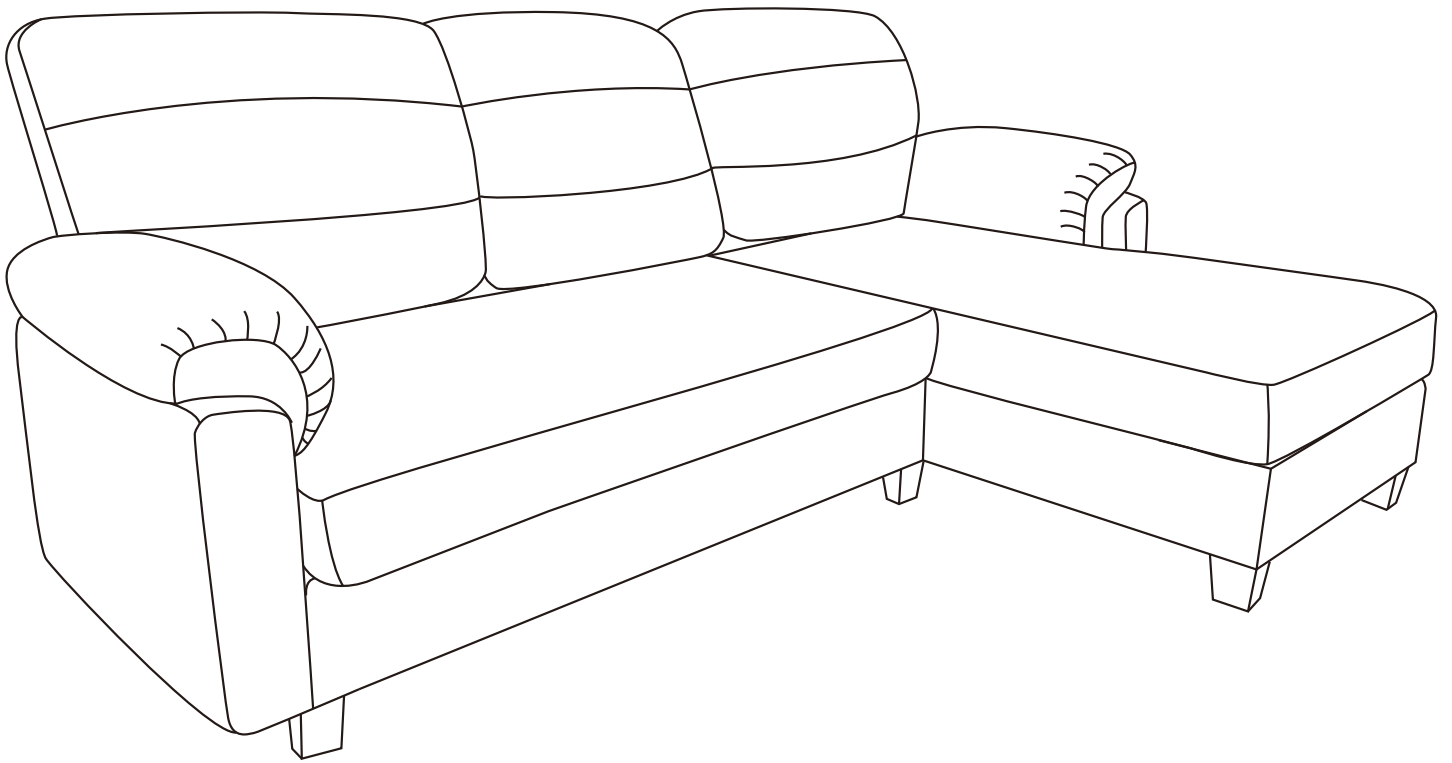


Assembly Instruction



Thank you for choosing our product.

We are committed to delivering exceptional customer service to ensure your satisfaction.

Parts Confirmation:

- Upon unpacking, verify that all parts listed in the manual are present.
- If any parts are missing or incorrect, please notify us immediately. We will promptly arrange replacements, or other solutions to ensure the issue is resolved.

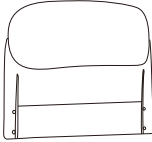
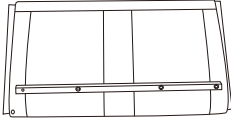
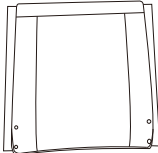





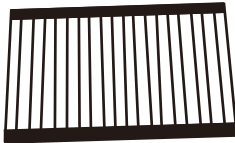
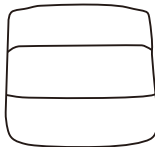
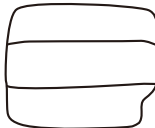
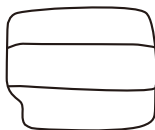
Assembly Guidance:






- Carefully review the instruction manual before assembly.
- The manual has detailed steps, but it might not cover all situations. If you need help or have questions, contact us and we'll respond quickly.

Shipping Note

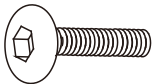



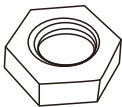

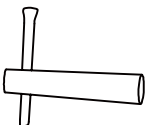
- If you purchased multiple packs, kindly note that the items in your order might come in separate packages. We appreciate your patience during delivery.

Parts List

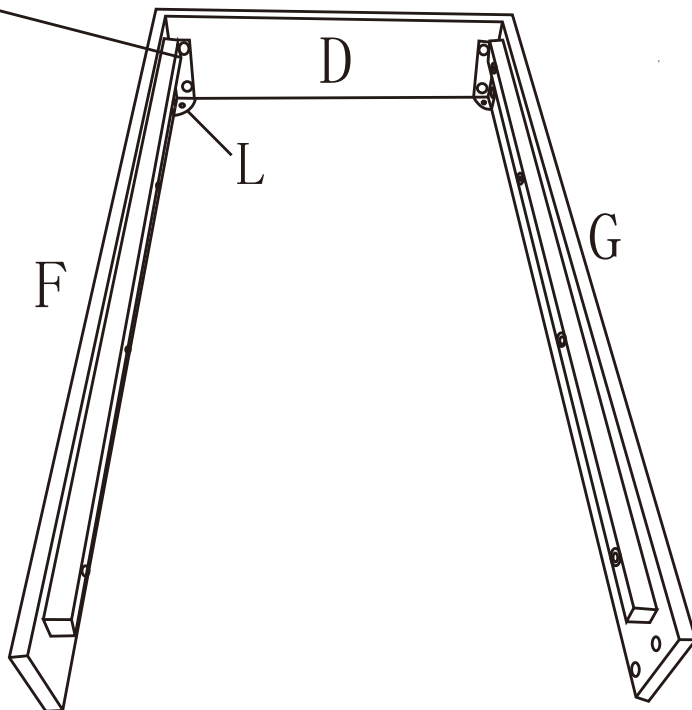
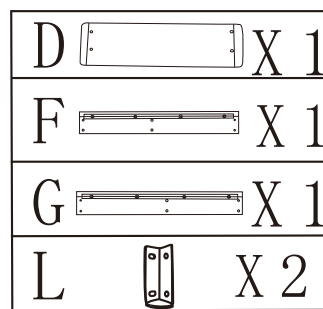
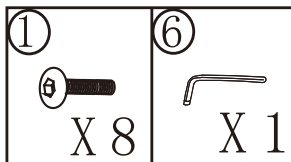
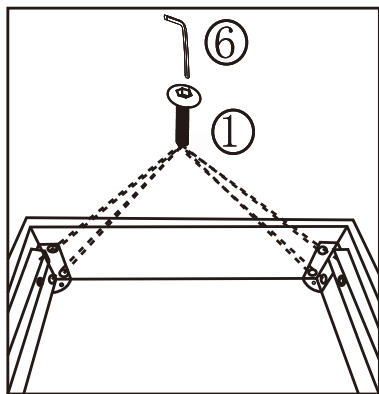
Number	Sofa Parts	Part	Qty
A	Armrest		2PCS
B	Back Frame		1PC
C	Back Frame		1PC
D	Front Frame		1PC
E	Noble Consort Sitting Frame Test		1PC
F	Right Double Seat Frame Test		1PC
G	Left Double Seat Frame Test		1PC
H	Bed Slat		1PC
I	Bed Slat		1PC
J	Middle Back Cushion		1PC
K	Side Back Cushion		1PC
L	Side Back Cushion		1PC

M	Left Recliner Seat Cushion		1PC
N	Double Seat Cushion		1PC
O	Corner Brace		8PCS
P	Feen		7PCS
Q	Plastic Washer		7PCS+1PC

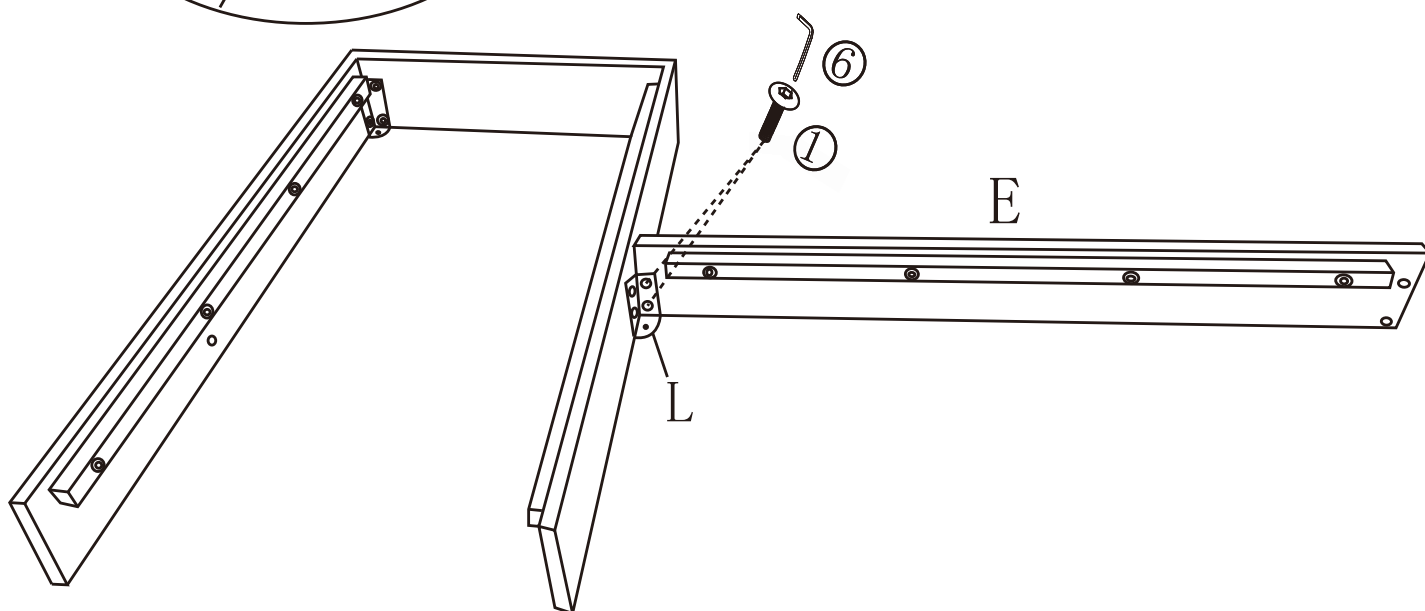
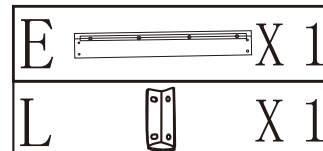
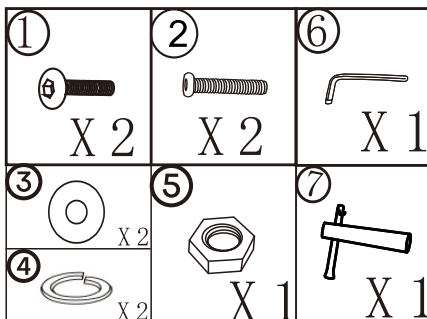
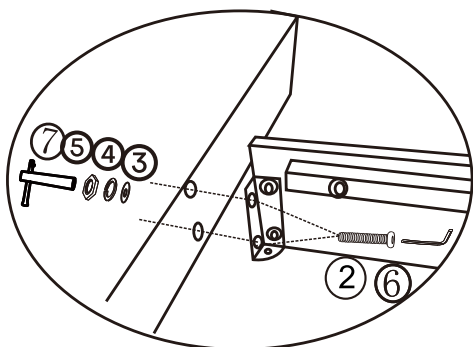
Hardware

Number	Part	Qty
①	 M8*20mm	24PCS+1PC
②	 M8*40mm	8PCS+1PC
③		6PCS+1PC
④		4PCS+1PC
⑤		4PCS+1PC
⑥		1PC
⑦		1PC



STEP 1





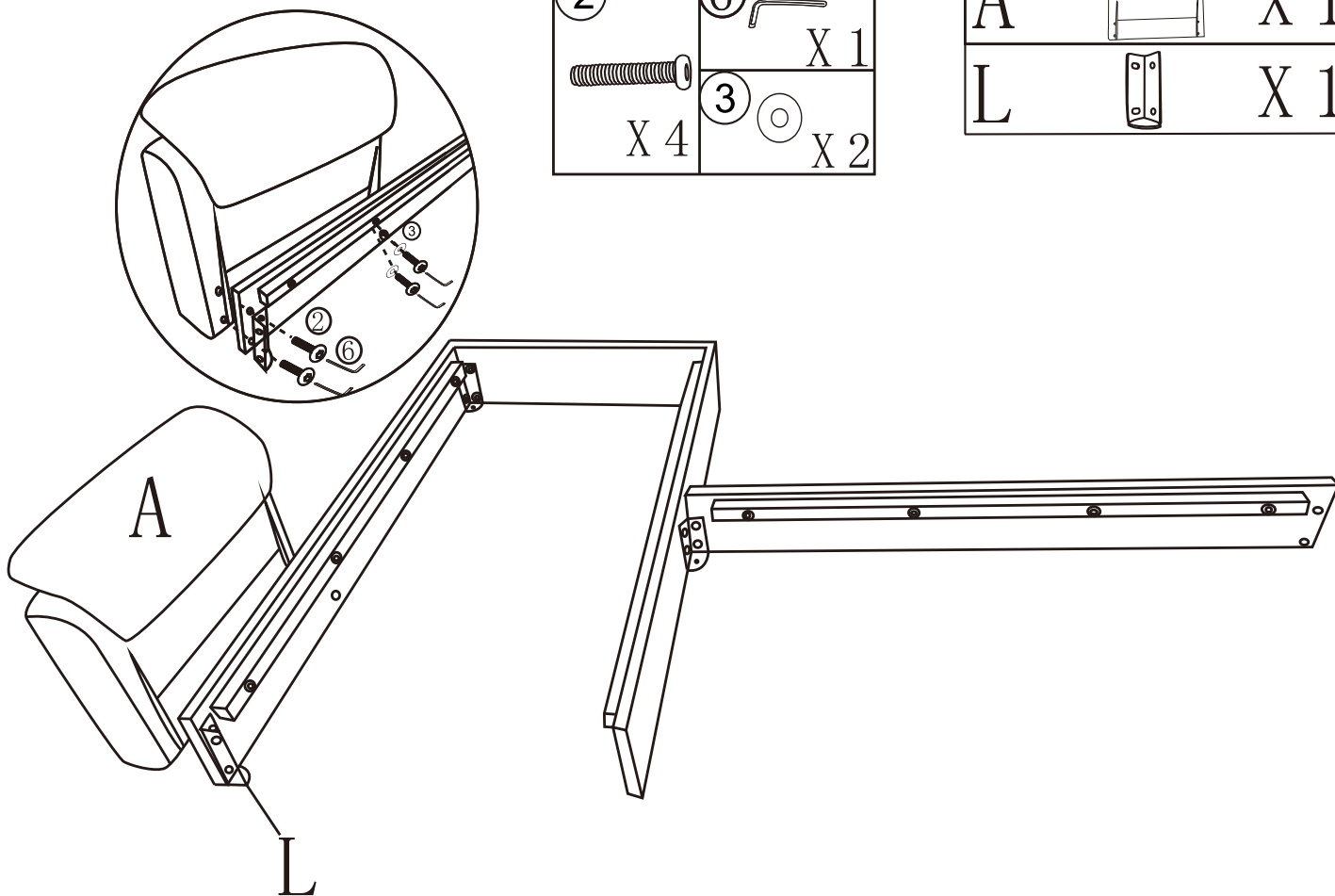
STEP 2





STEP 3

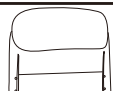

②	⑥
	
X 4	X 1

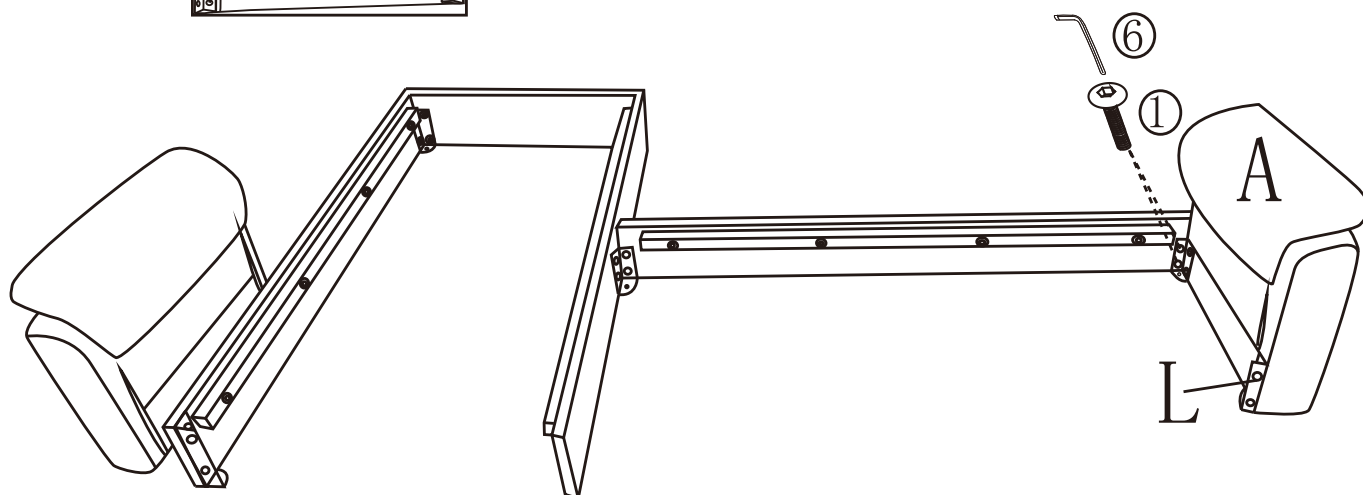
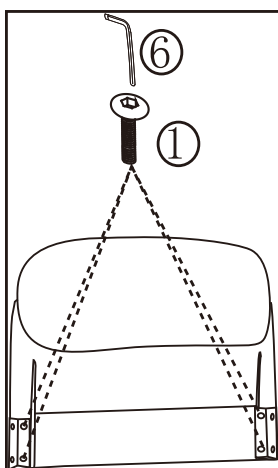
A		X 1
L		X 1



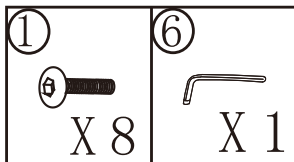
STEP 4




①	⑥
	
X 6	X 1

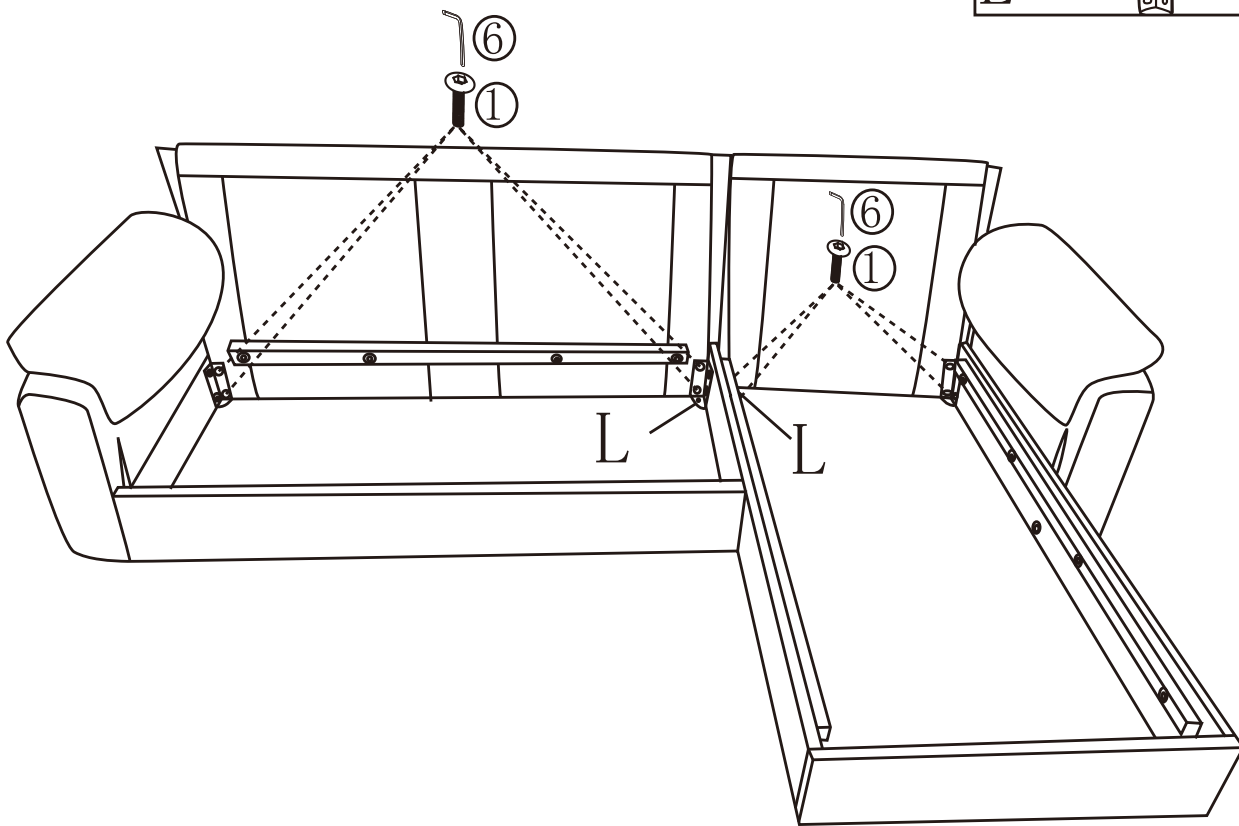
A		X 1
L		X 2



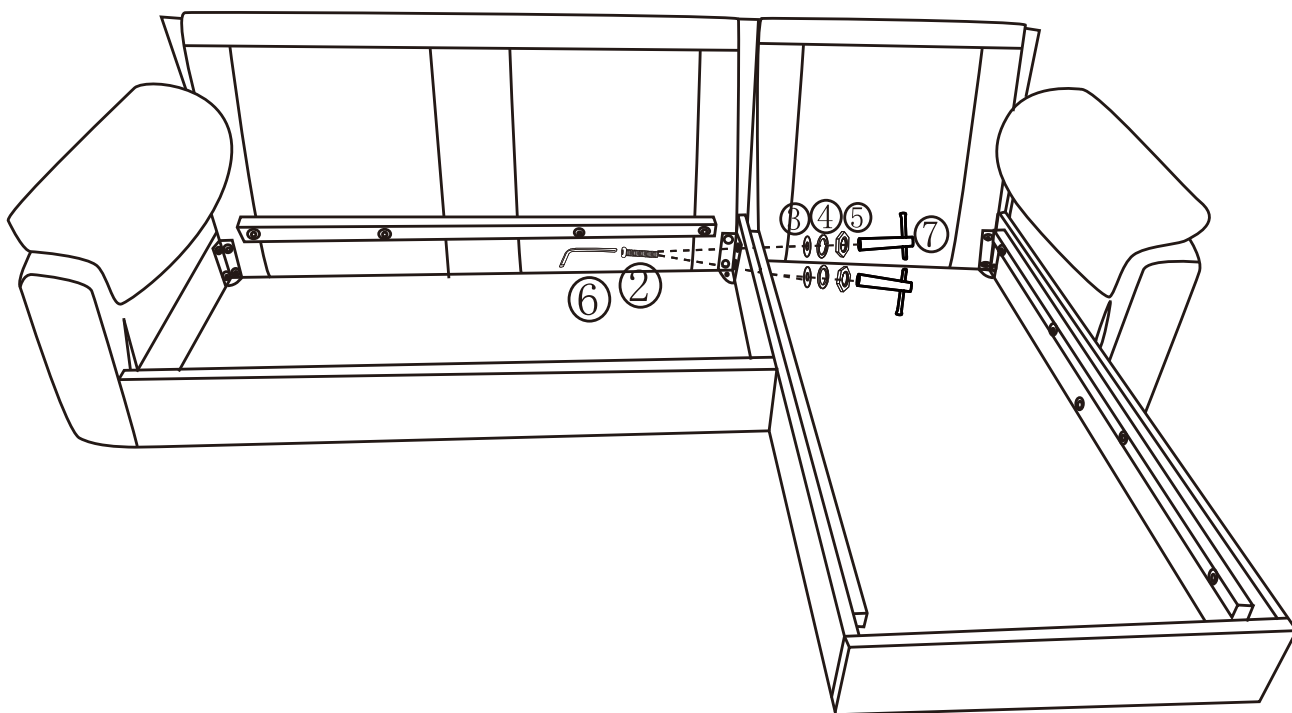
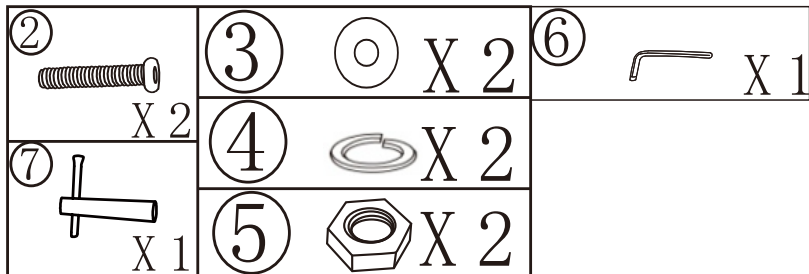
STEP 5



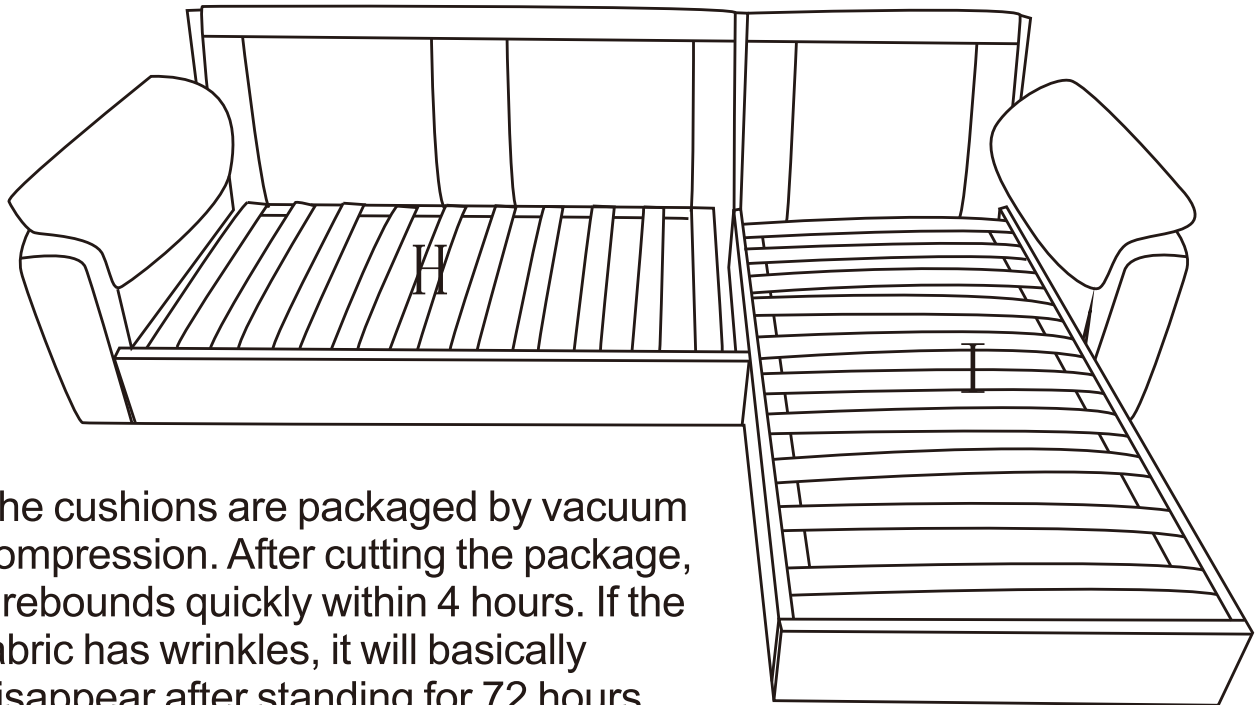
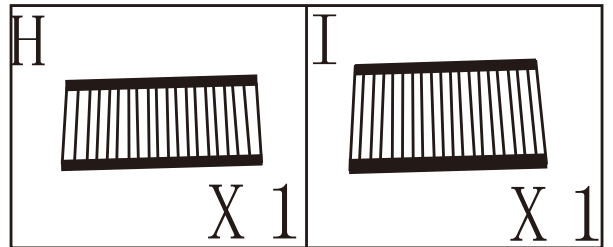
B		X 1
C		X 1
L		X 2



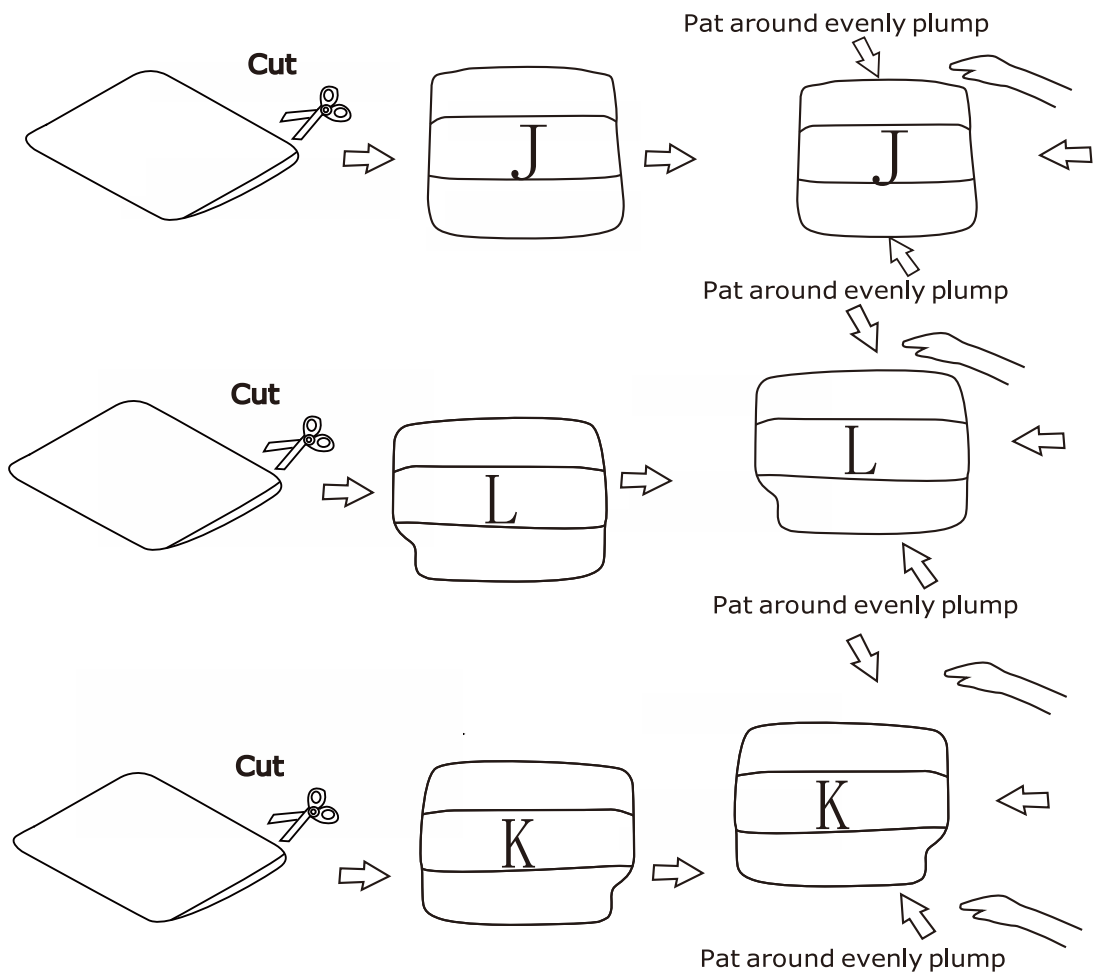
STEP 6

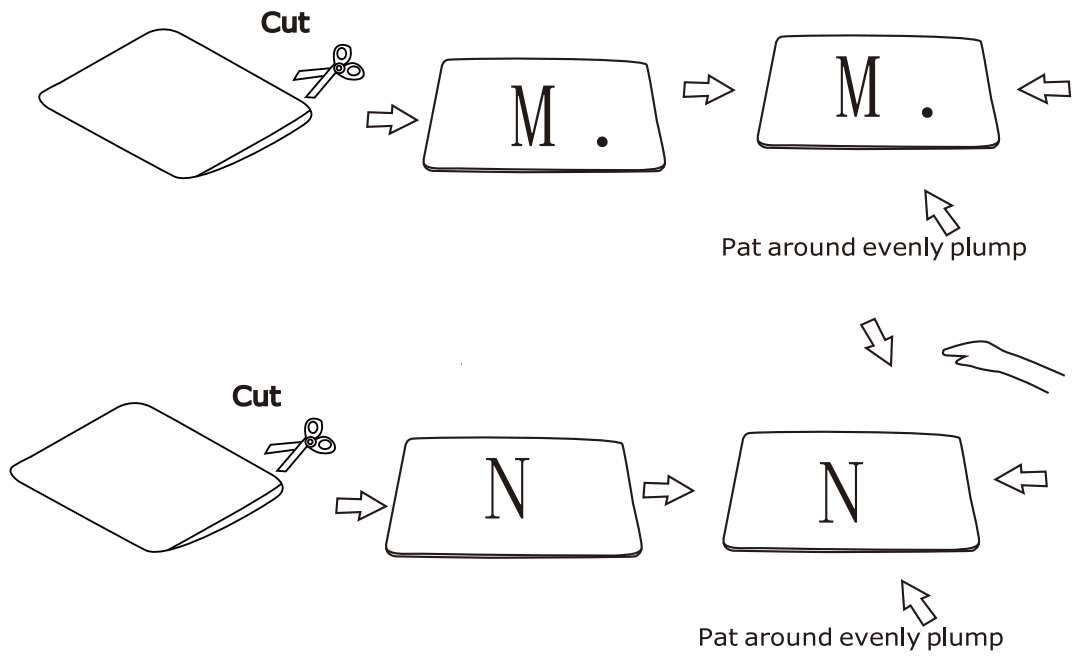


STEP 7





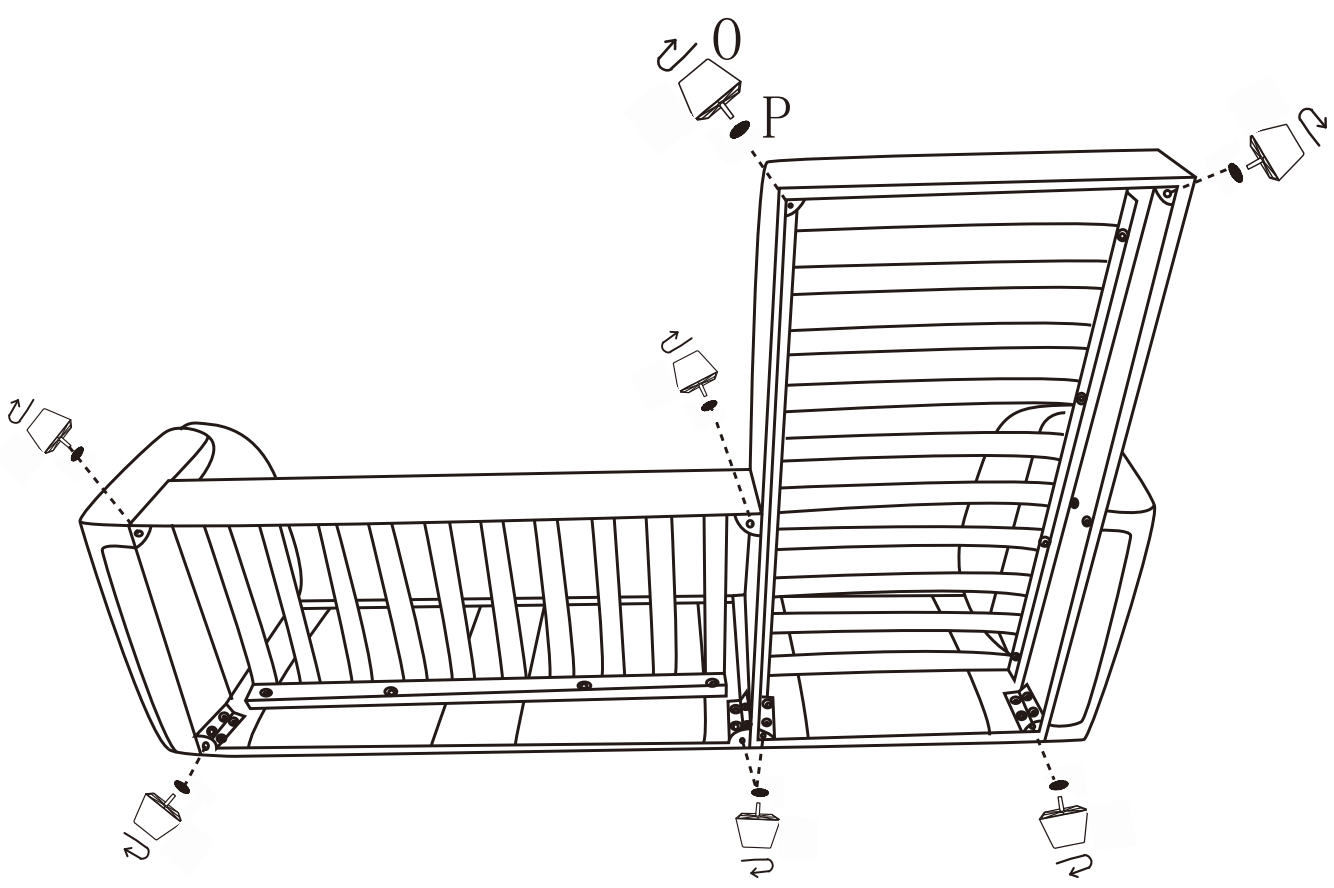
The cushions are packaged by vacuum compression. After cutting the package, it rebounds quickly within 4 hours. If the fabric has wrinkles, it will basically disappear after standing for 72 hours.



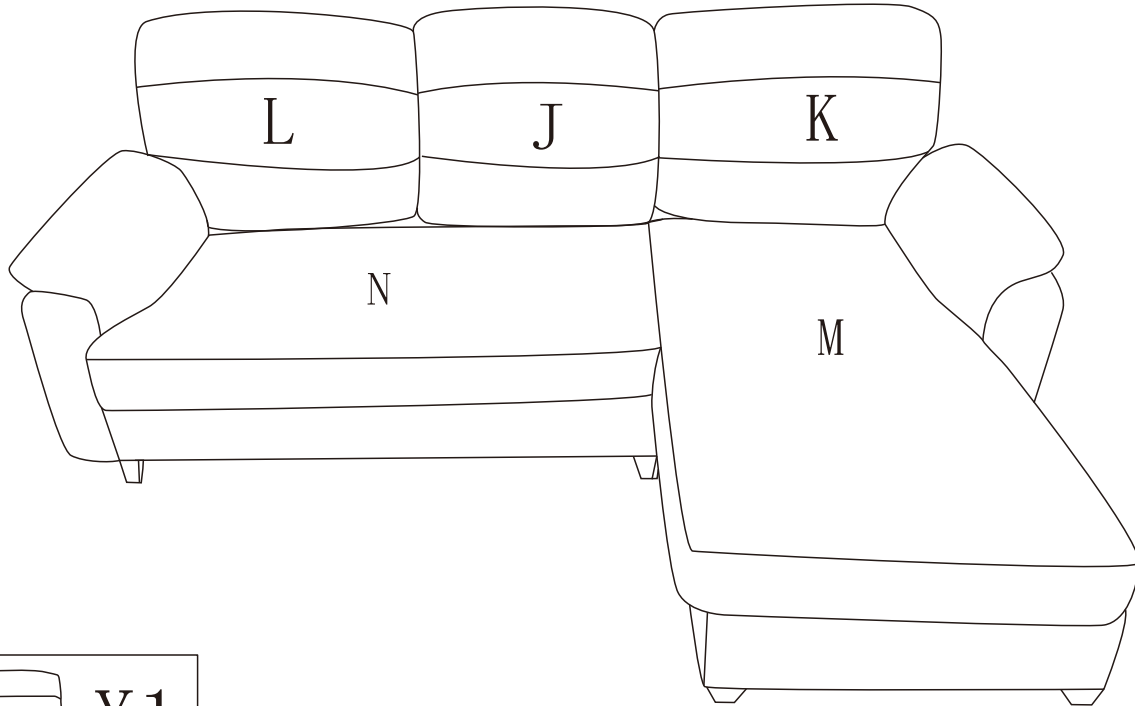


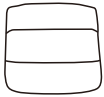
STEP 8

O 	P 
X 7	X 7







STEP 9






J  X1

L  X1 K  X1 M  X1 N  X1

Operating Guidelines

-  Sharp objects can puncture the fabric or foam use caution when removing the outer plastic.
-  Unwrap your sofa in a wellventilated area such as an open garage or porch, before moving it to your living space an hour of fresh air will allow the slight "new sofa" sofa smell to dissipate.
-  Your sofa should be fully decompressed in about 48-72 hours, returning to it's normal shape and size.
-  Do not allow children to climb or jump on the sofa.

Care Guidelines

-  Avoid placing hot items, direct sunlight, or harsh chemicals on the seat.
-  Wipe dust with a soft, clean, lint-free cloth.
-  Note: Indoor use only, Do not place the furniture outdoor or in damp environments.

Thank you for your purchase