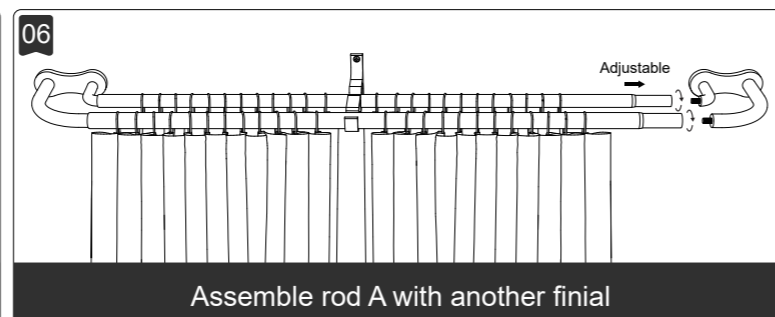
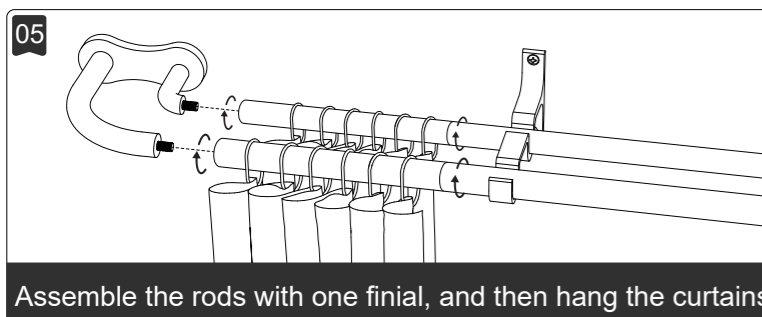
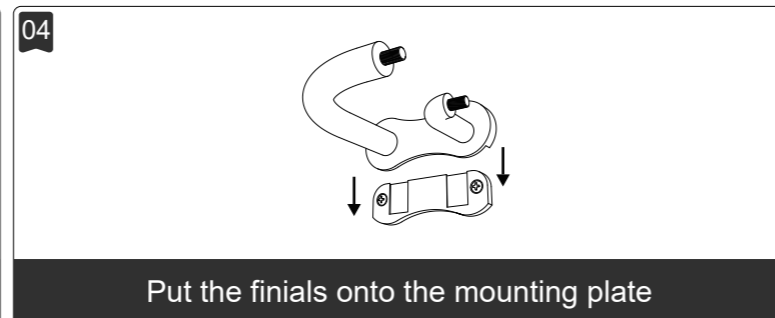
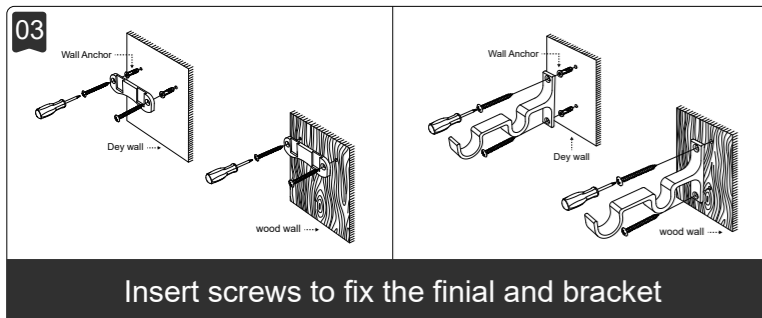
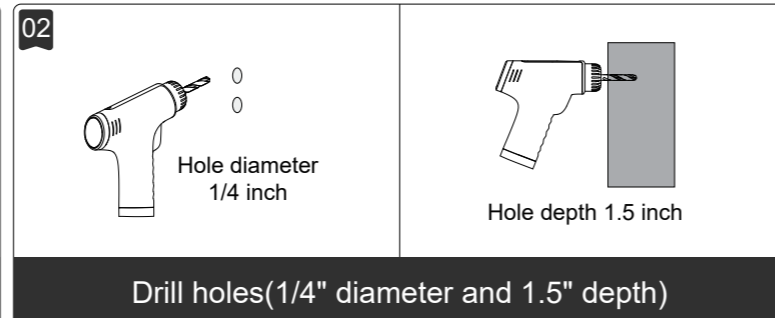
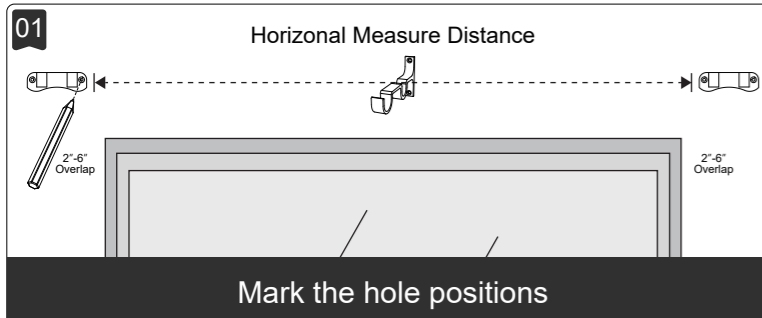


INSTALLATION STEPS



CHOOSE THE RIGHT SIZE

Curtain Rod Size	Window Size	Assembly diagram for all rod sizes
30"-60"	30"-41" FOR 3 RODS	
	42"-56" FOR 4 RODS	
36"-72"	57"-71" FOR 5 RODS	
36"-88"	72"-87" FOR 6 RODS	
36"-120"	88"-105" FOR 7 RODS	
	106"-118" FOR 8 RODS	
36"-144"	119"-135" FOR 9 RODS	
	136"-149" FOR 10 RODS	
36"-176"	150"-164" FOR 11 RODS	
	165"-180" FOR 12 RODS	

PACKAGE INCLUDES

30"-60"				
36"-72"				
36"-88"				
30"-120"				
36"-144"				
36"-176"				



Warm tips: our goal and action is to produce products that satisfy buyers, your suggestions and requirements are our motivation and direction. So if you are not satisfied or think we can improve the place, we hope to get your understanding and corrective comments, we will attach great importance to and correct.

If you find any faults or parts missing or damaged, please contact us.

If you need help with installation, replacement parts or have questions about our warranty, please contact our after-sales team through Amazon messaging system and we will be happy to help you.

If you are very satisfied with our products, we also sincerely hope that you can visit our purchase page to share the good experience.



Our products are carefully designed and of high-quality.




We carefully craft each product, paying attention to every detail.



We offer worry-free and professional after-sales service.

Thank You For Your Purchase!



WRAP AROUND DOUBLE CURTAIN ROD

**WM-OLV65DB
User Manual**

