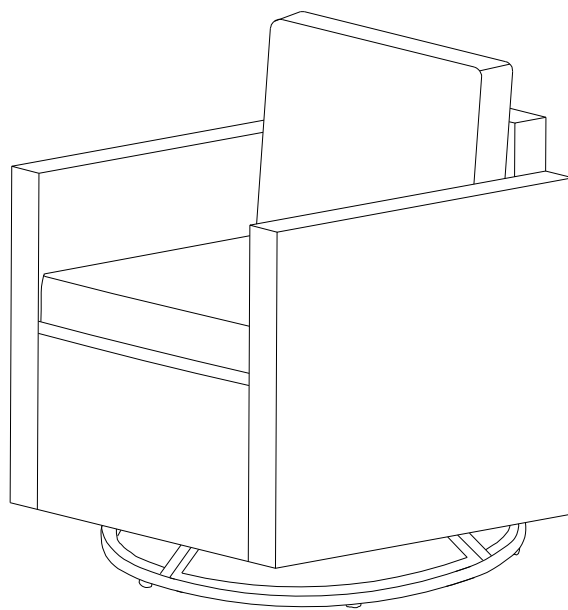
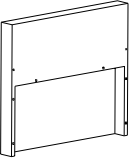
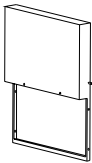
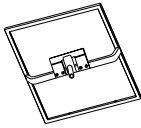
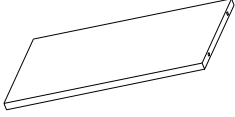
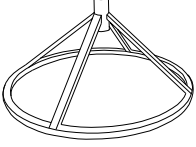
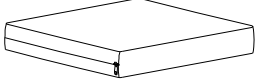



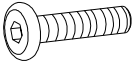
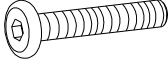
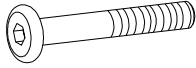
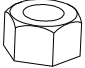

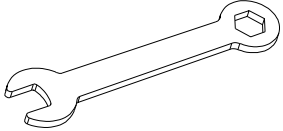

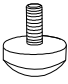
## Outdoor Wicker Swivel Rocker Chair



## PART LIST

 <p>Arm Panel</p>		 <p>Back Panel</p>		 <p>Seat Panel</p>	
A	2PCS	B	1PC	C	1PC
 <p>Lower Front Panel</p>		 <p>Base</p>		 <p>Seat Cushion</p>	
D	1PC	E	1PC	F	1PC
 <p>Back Cushion</p>					
G	1PC				

## HARDWARE LIST

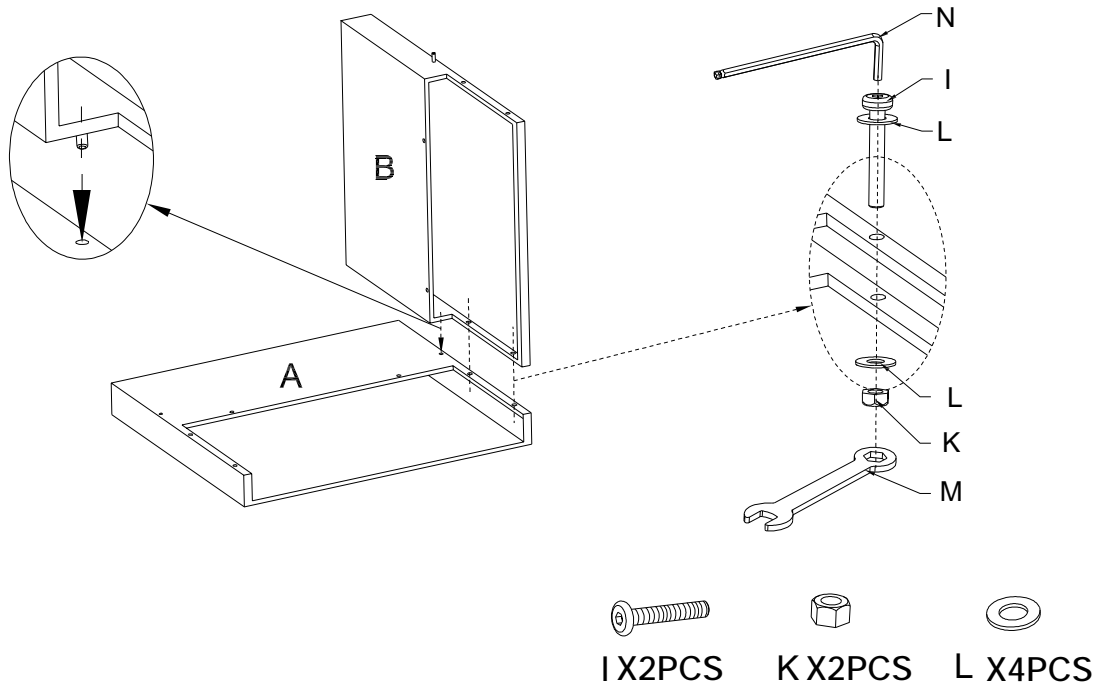
 <p>Short Bolt(M6*30mm)</p>		 <p>Medium Bolt(M6*40mm)</p>		 <p>Long Bolt(M6*50mm)</p>	
H	1PC	I	4PCS	J	10PCS
 <p>Nut(M6mm)</p>		 <p>Washer(M6mm)</p>		 <p>Wrench(M6mm)</p>	
K	14PCS	L	29PCS	M	1PC
 <p>Allen Key(M6mm)</p>		 <p>Adjustable Leveler</p>			
N	1PC	O	6PCS		

## EXTRA HARDWARE LIST

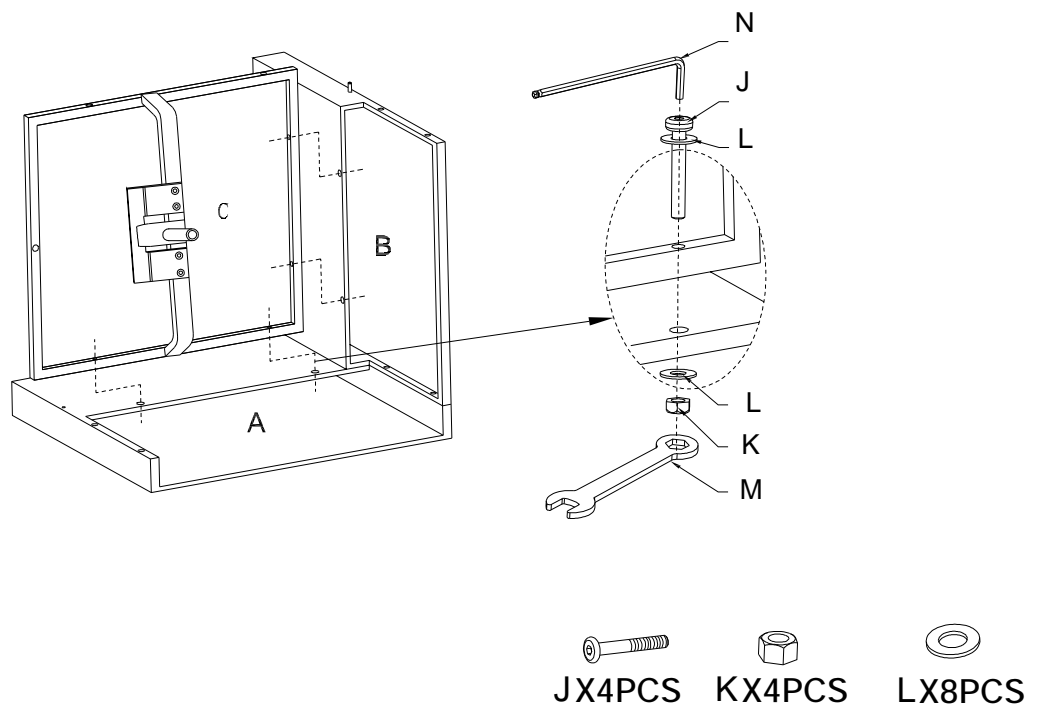
 HX1PC	 IX1PC	 JX2PCS	 KX3PCS	 LX3PCS
---	---	--	---	--

**Step 1.** Lay Arm Panel (A) down on a flat surface. Attach Back Panel(B) to Arm Panel(A) using the Medium Bolts(I), Washers(L), Nuts(K), Wrench (M) & Allen Key (N).

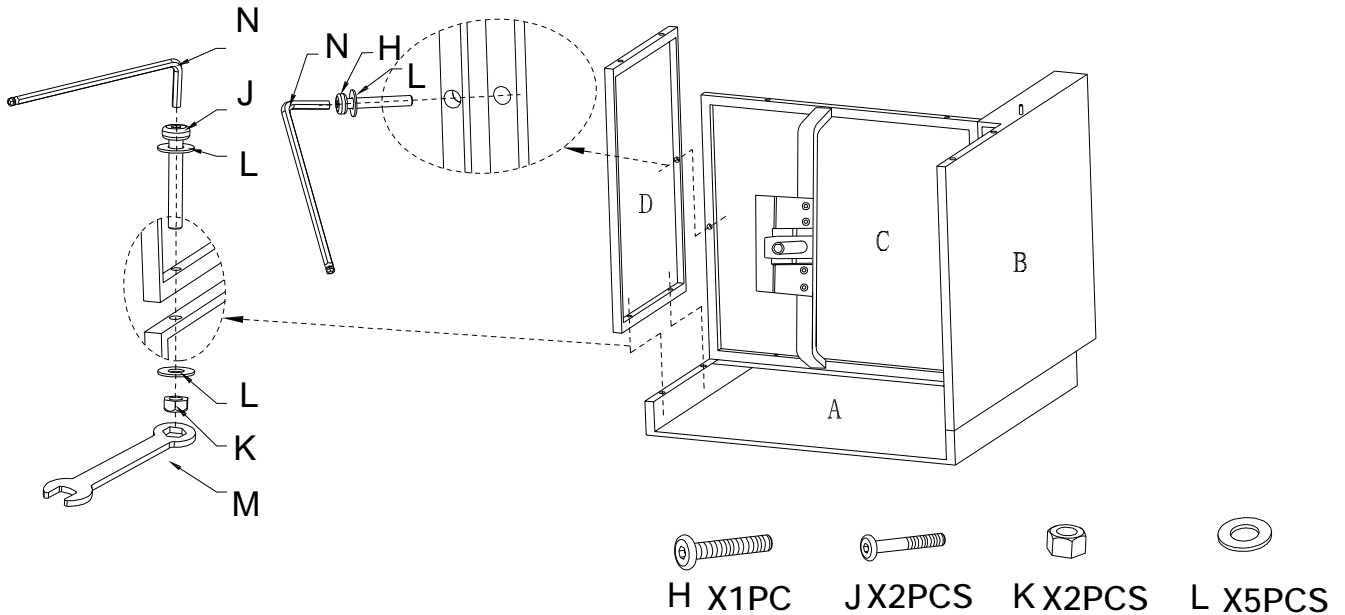
**NOTE:** Please do not fully tighten bolts until unit is fully assembled.



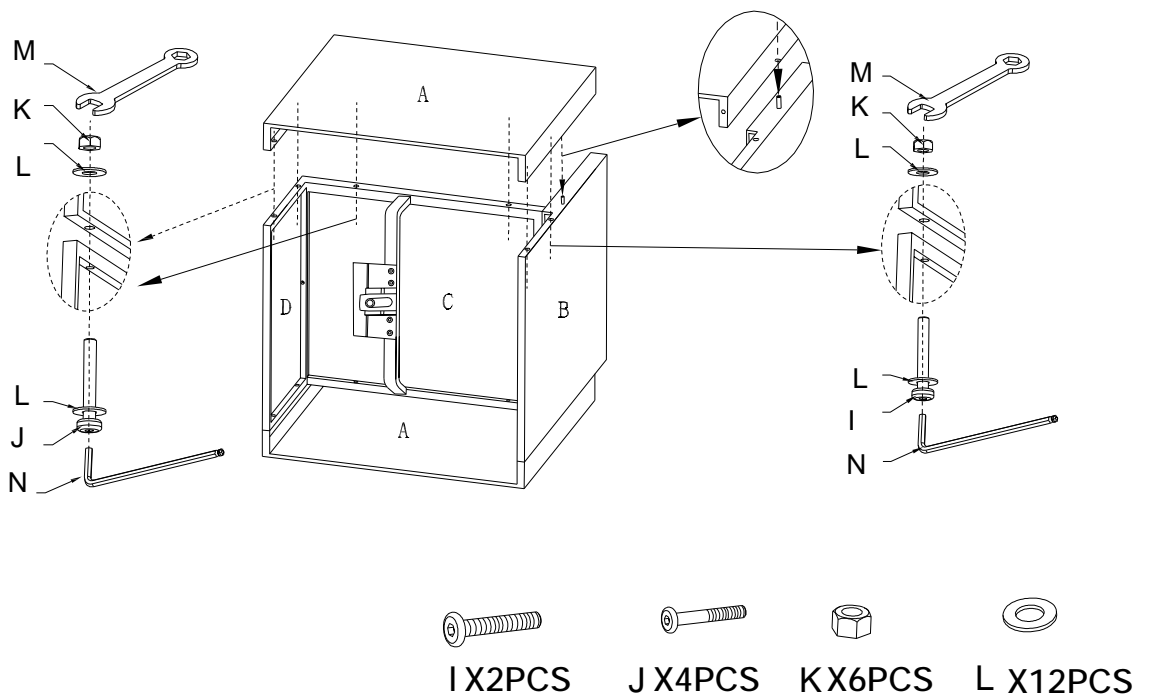
**Step 2.** Attach Seat Panel(C) to Arm Panel(A) and Back Panel (B) using the Long Bolts(J) Washers(L), Nuts(K), Wrench (M) & Allen Key (K)



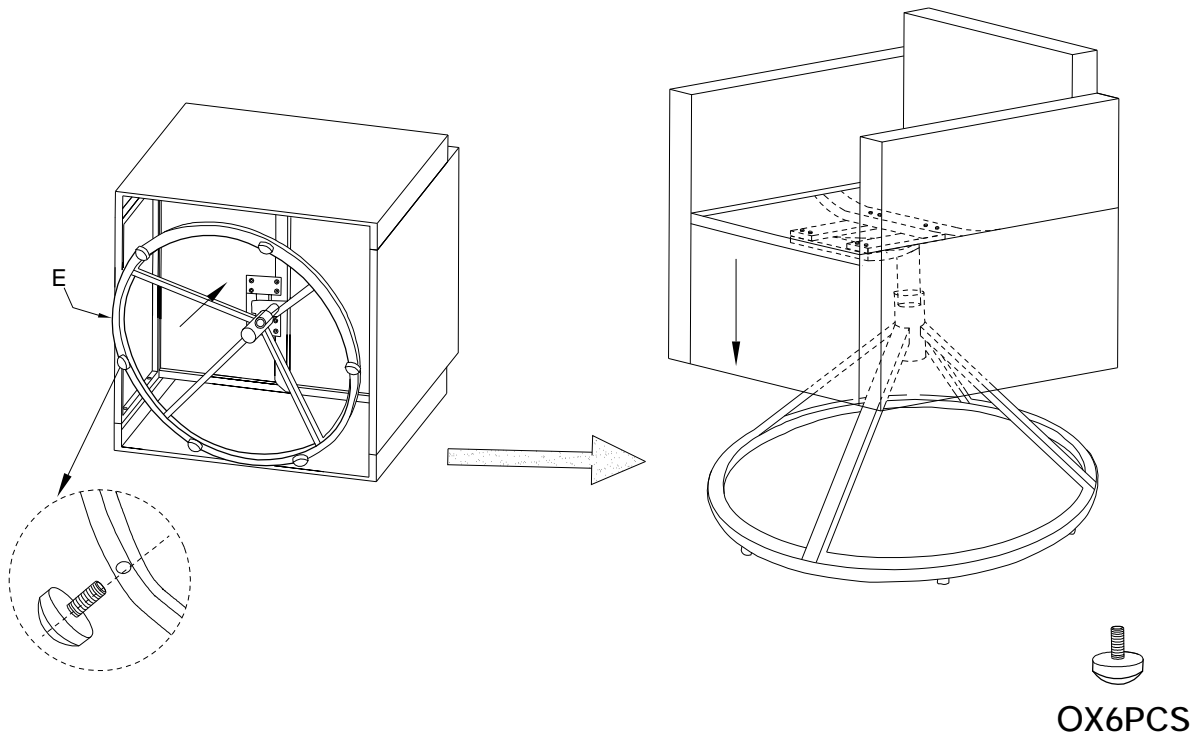
**Step 3.** Attach Lower Front Panel (D) to Arm Panel (A) using the Long Bolts(J), Washers (L), Nuts(K), Allen Key (N) & Wrench (M), to Seat Panel (C) using Short Bolts (H), Washers (L) & Allen Key (N).



**Step 4.** Attach the other Arm panel(A) to the assembled Parts (A,B,C&D) using Medium Bolts (I), Long Bolts (J), Washers (L), Nuts (K), Wrench (M) and Allen Key (N) as shown.



**Step 5.** Screw the Adjustable Levelers (O) into the pre-drilled holes on the Base (E). Attach Base (E) to the Seat Panel(C).



**Step 6.** Place Seat Cushion and Back Cushion on the Chair.

