

Assembly Instructions & Care:

**Please assemble on soft surface after removing contents as not to scratch or damage stone surface.
Enjoy!**

TABLE ASSEMBLY INSTRUCTIONS






Item	Description	Q'ty
A	 Bolt 8x90	04
B	 Bolt 8x50	08
C	 Washer	08
D	 Allen Key	02
E	 Deco Cap	04

Table Top

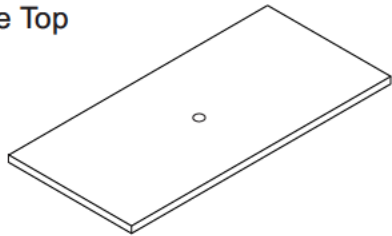
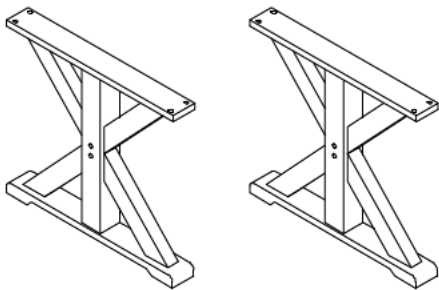
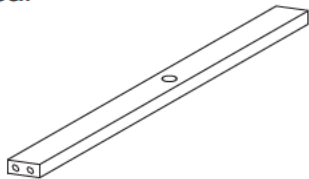


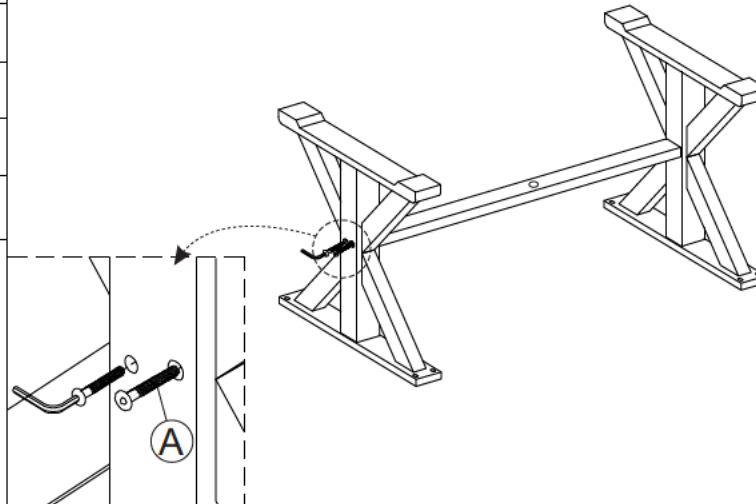
Table Base



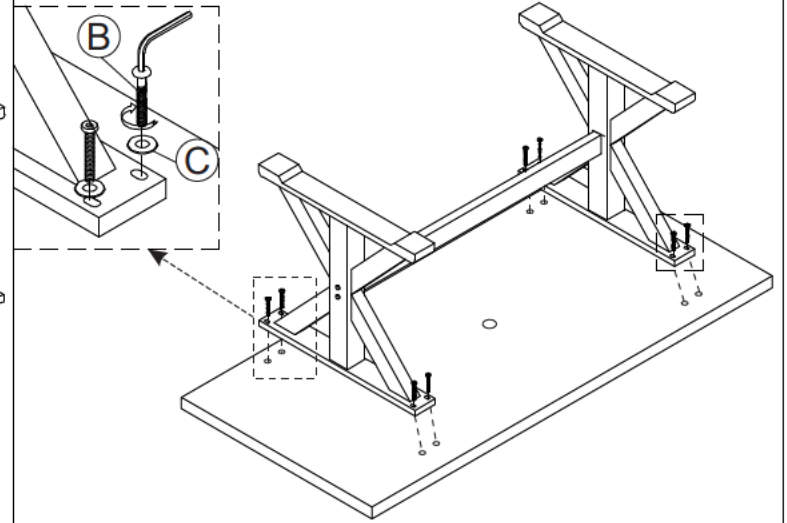
Crossbar



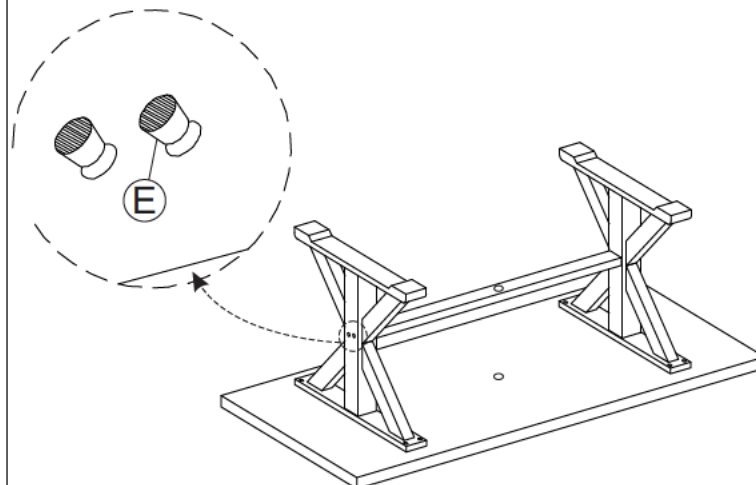
STEP 1 •Assemble two table base leg with crossbar.
•Attach (4) "A" Bolt .



STEP 2 •Place table top on a soft surface as shown.
•Fasten (8) "B" Bolts and (8) "C" washers to table top underside and frame.



STEP 3 •Place (4) "E" wood deco caps over each hole
TAP GENTLY...



STEP 4 •With 2 people carefully stand table upright.

