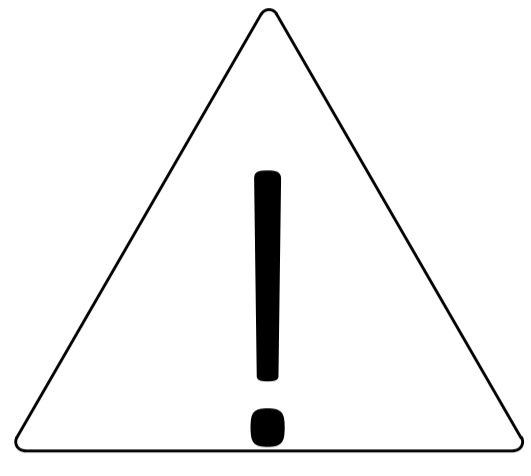


Assembly Instruction

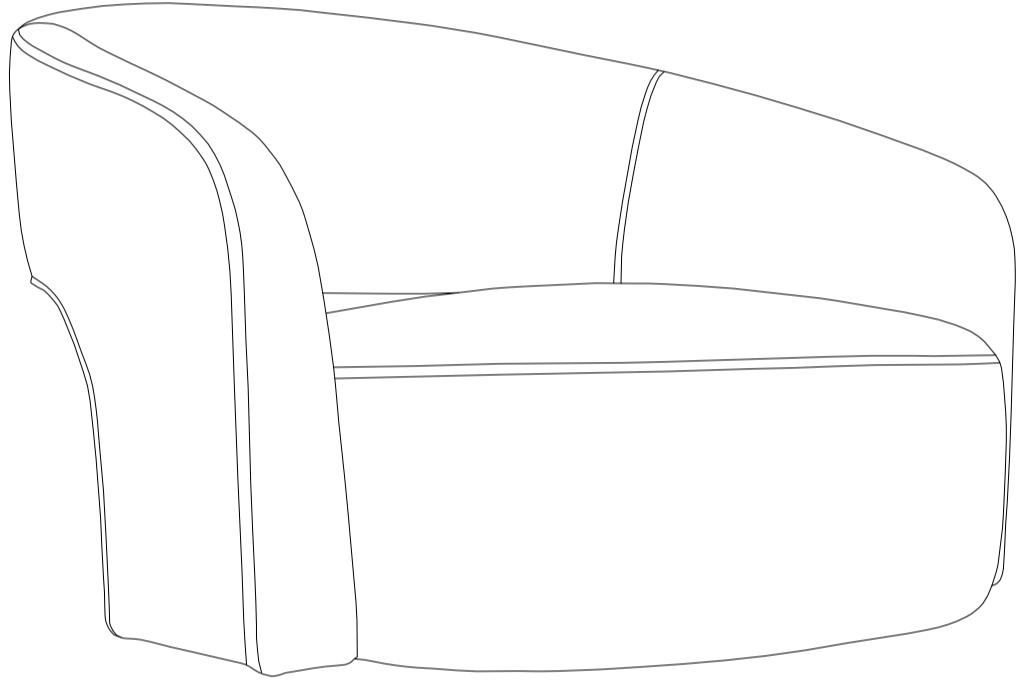
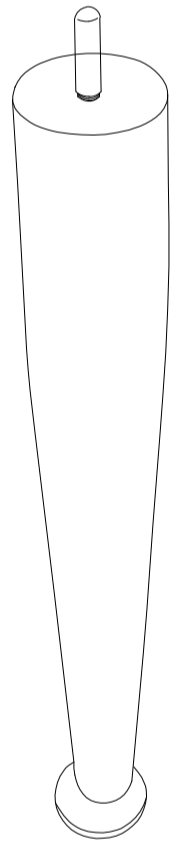
Accent Chair



Legs are stored inside the chair seat, please unzip the bottom seat cover and take out for assembly.

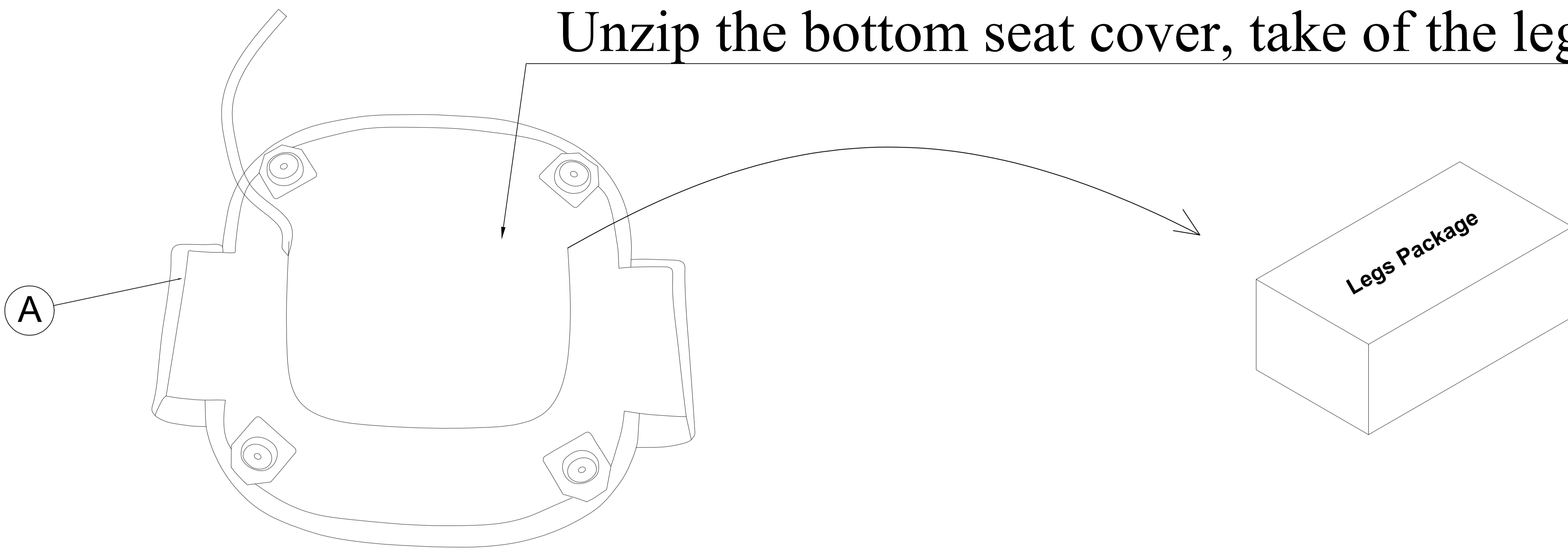
Note: Do not use power tools for assembly. Power tools increase the risk of over tightening which lead to splitting or cracking the wood.

Component list

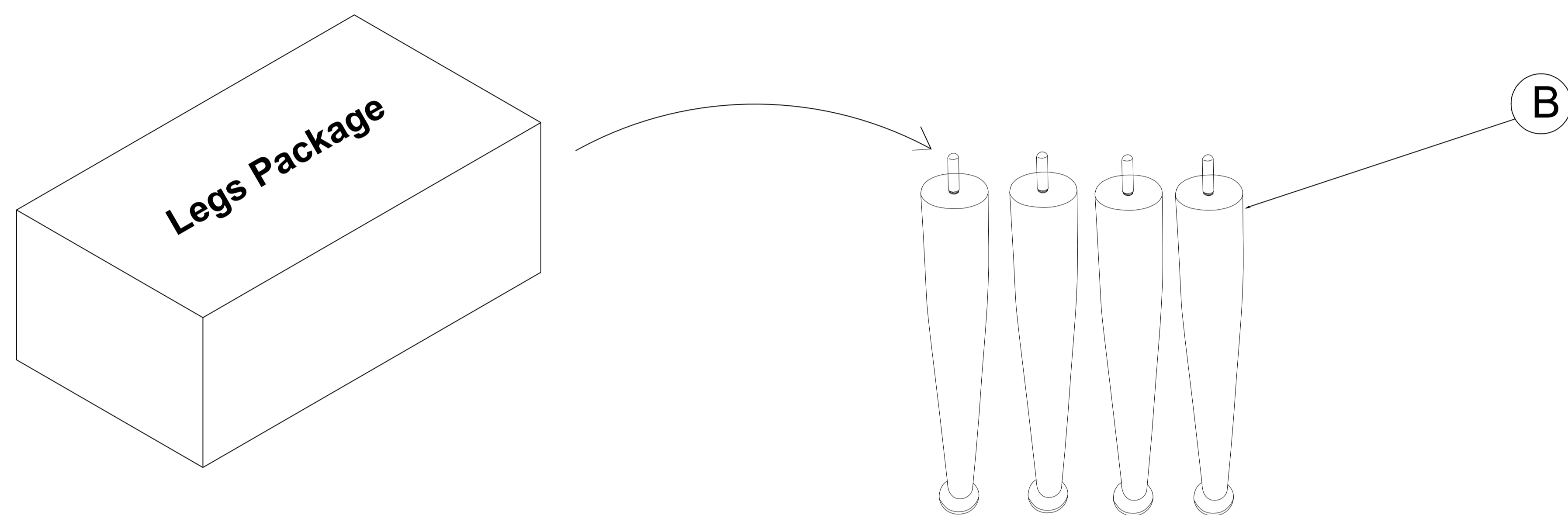
No	Drawing	Qty	Description
A		1	Chair Seat
B		4	Metal legs 9.5"*1"*1"

Step #1

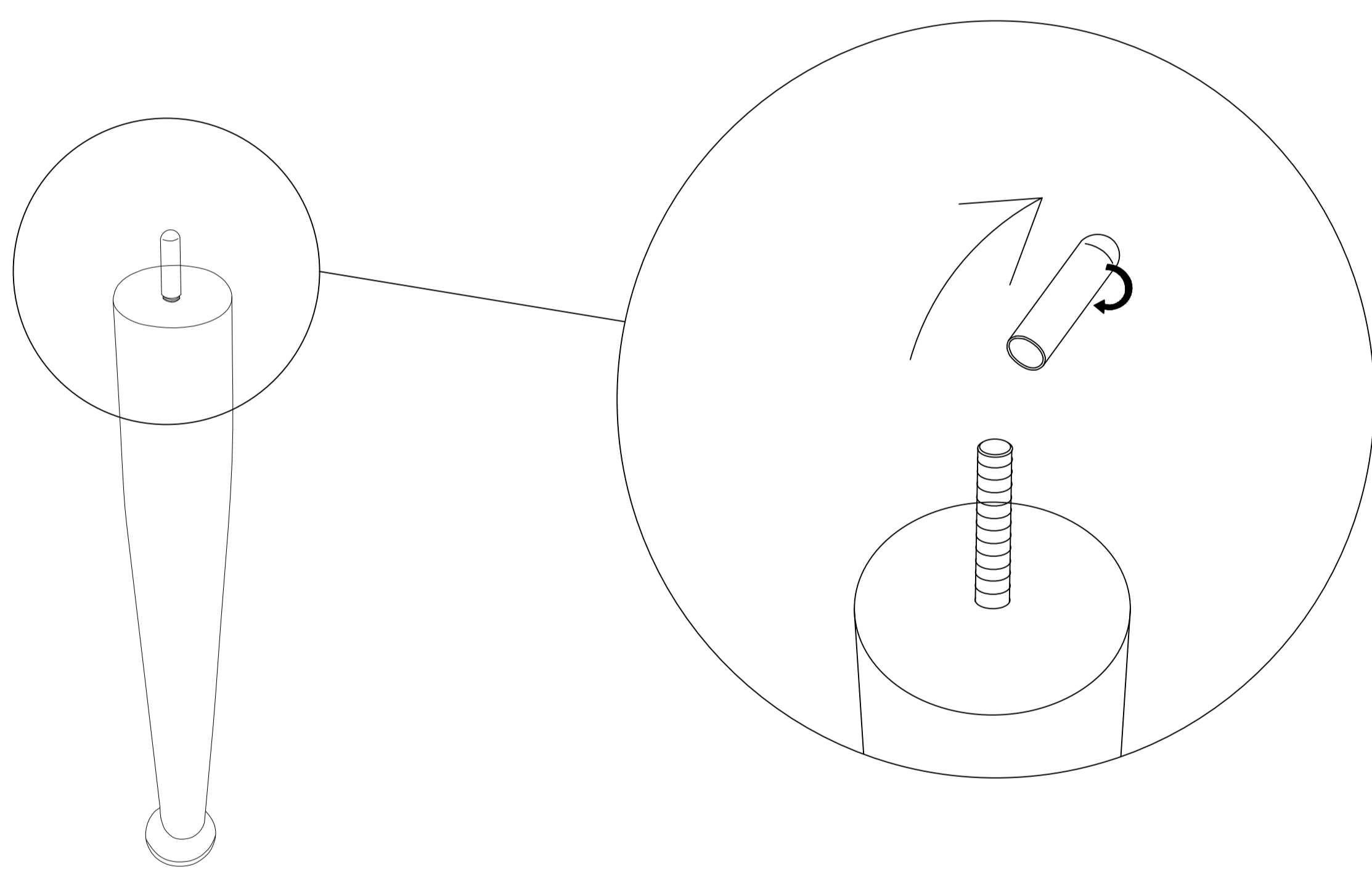
Unzip the bottom seat cover, take of the legs for assembly.



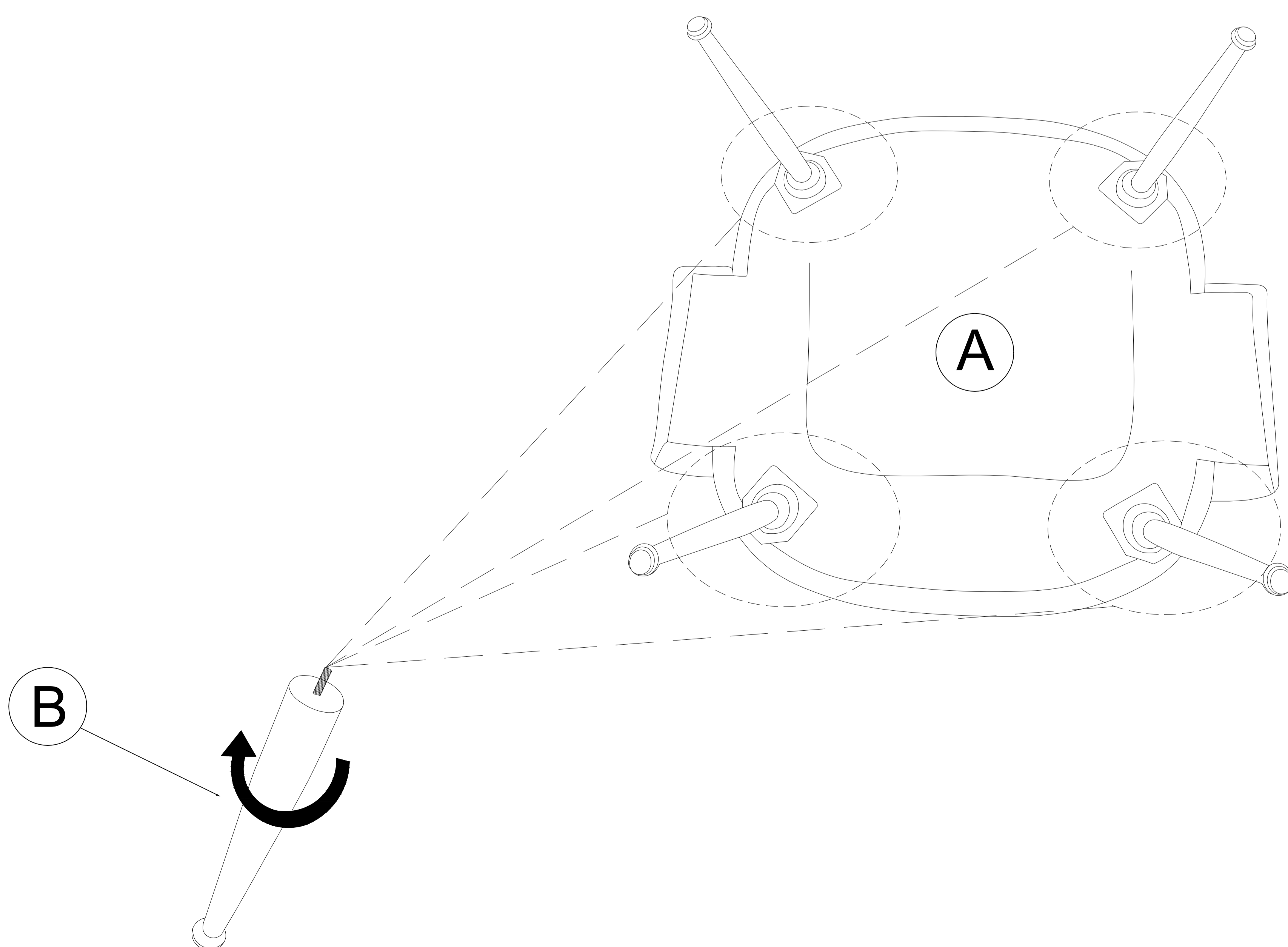
Step #2



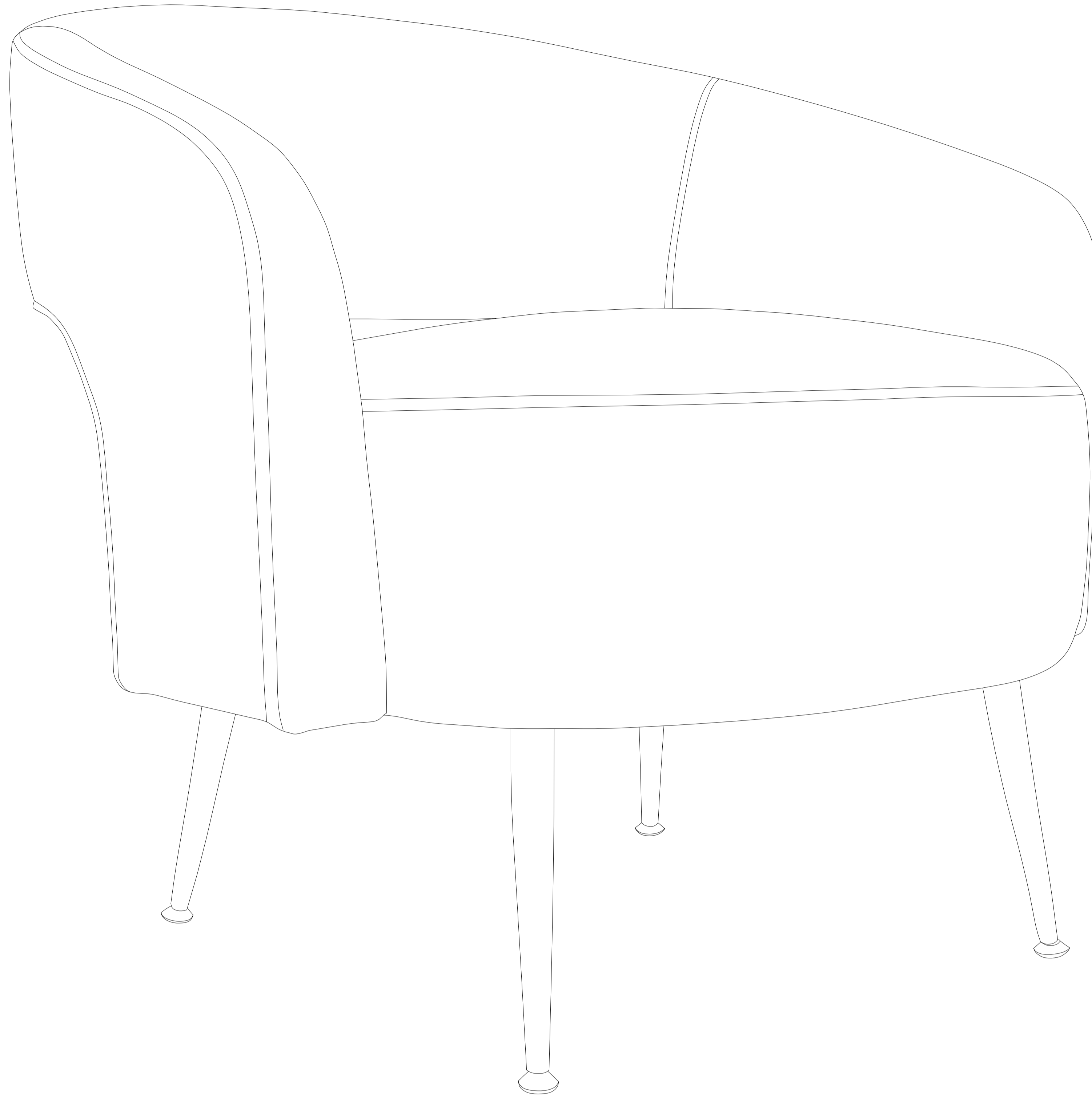
Step #3



Step #4



Step #5



Care Instruction for Velvet Furniture:

In order to maintain the original appearance of your velvet Furniture, please follow below simple care procedures:

- **Avoid exposing furniture directly to sunlight or heating and air conditioning outlets. Sunlight and or exposure to heating and air conditioning outlets will fade/damage velvet.**
- **Vacuum or wipe with a soft cloth to remove dust.**
- **Hardware may loosen over time. Periodically check to make sure all connection are tight, Re-tighten if necessary**



For items use on wooden floor, hard surfaces or carpets, it is recommended to Install protective pads under all legs and supports to avoid/prevent from damages/scratches and discoloration.