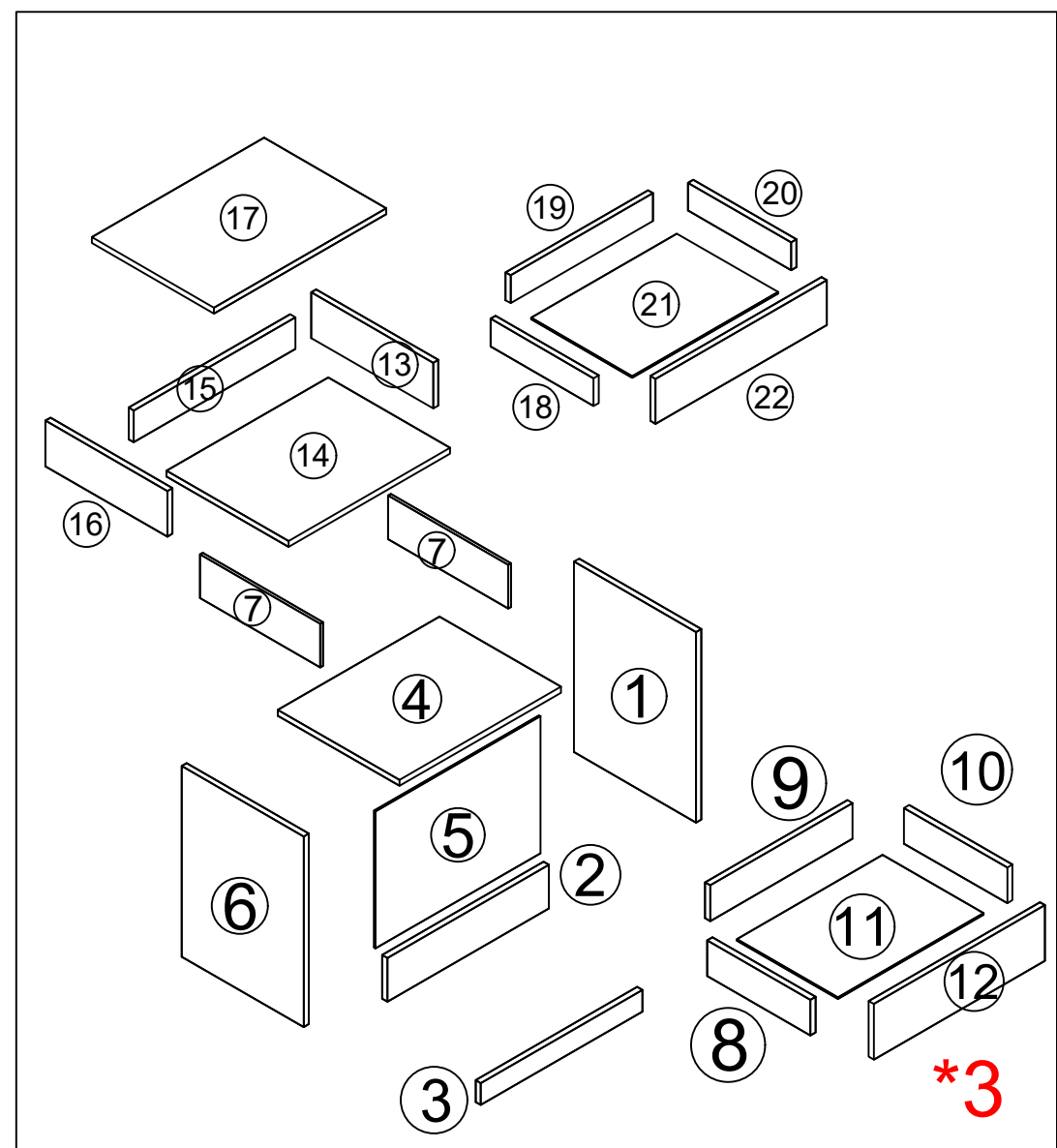
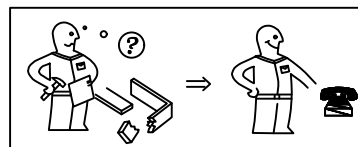
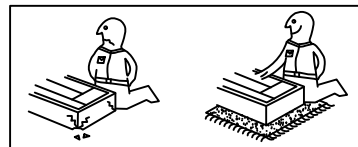
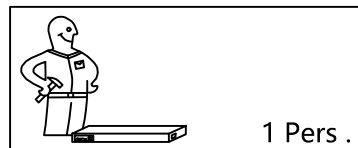
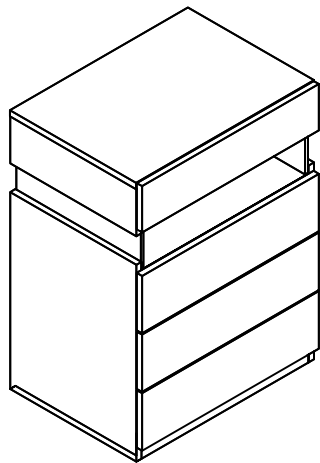


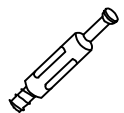

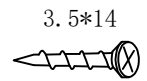
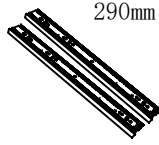
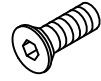
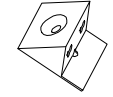

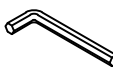

ASSEMBLY INSTRUCTION

- It would be best if you set aside and organize all pieces & corresponding "nuts/bolts" first.
- Please follow the instructions to assemble the items correctly.
- Could be assembled by one person ,but would recommend two.
- Please ensure the safety of the glass when assembling.
- Do not make the screws too loose or too tight.
- As shown in the figure, Insert the screw into the hole.
The arrow in the picture, Then rotate 90° or 180° clockwise.
- The remaining parts are spare parts.

SAFETY INFORMATION

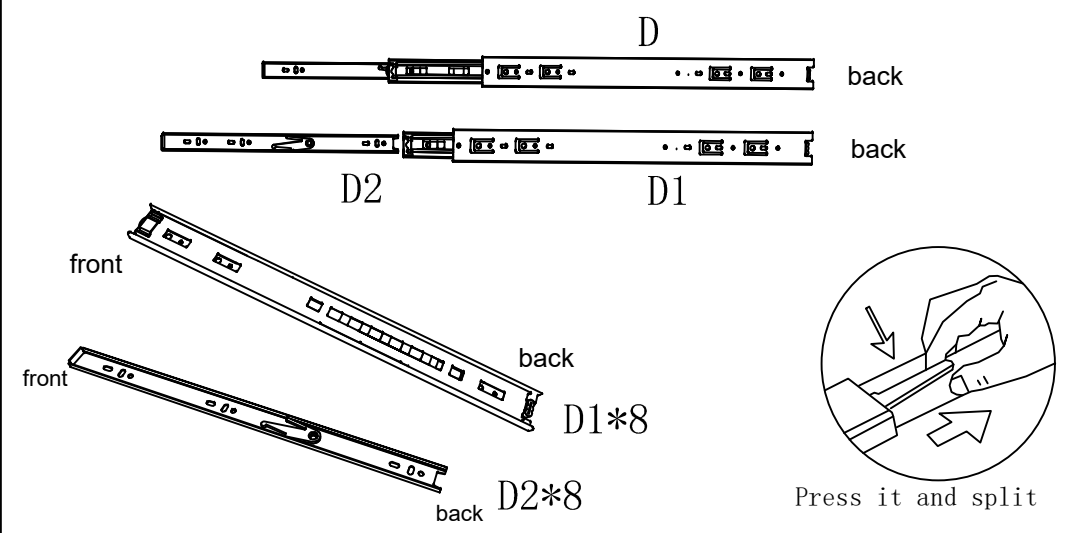
- The accessory bag contains some small accessories , which should be kept away from children.
- Kids are not allowed to climb or play with the product for safety reasons



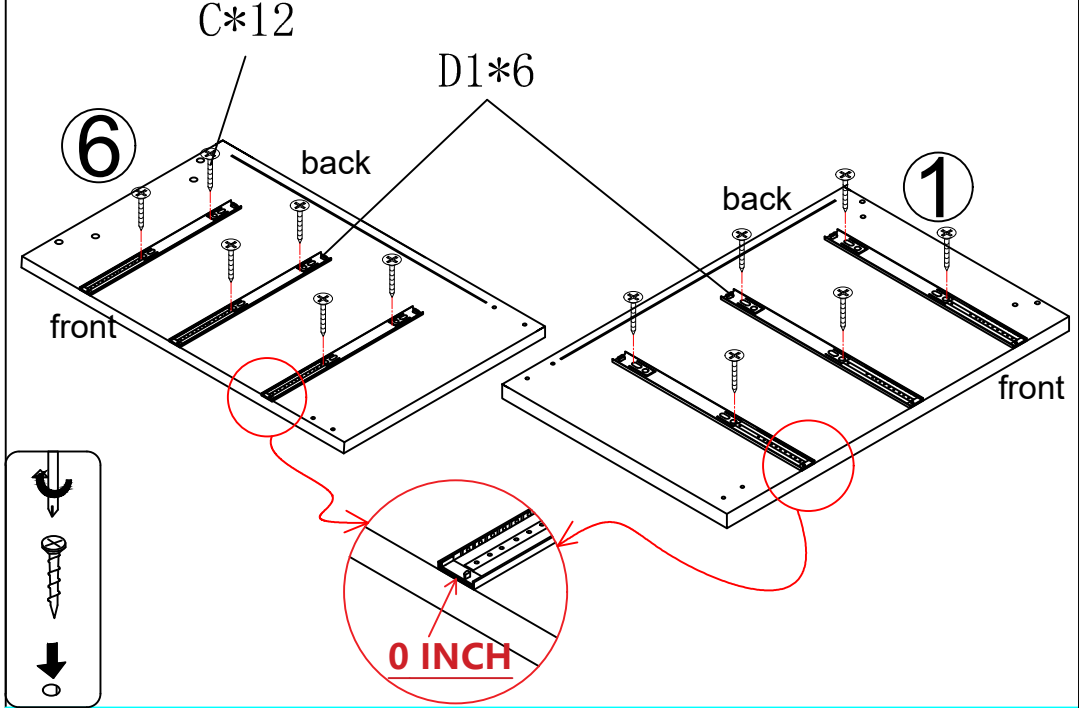
 A*56 M6*18	 B*56	 C*38 3.5*14	 D*4 290mm
 E*8	 F*6	 *1	 *1
			 LED*1

STEP 1

Warm Reminder:
Before installing the drawer rail,
you need to separate the D1 and D2 first.

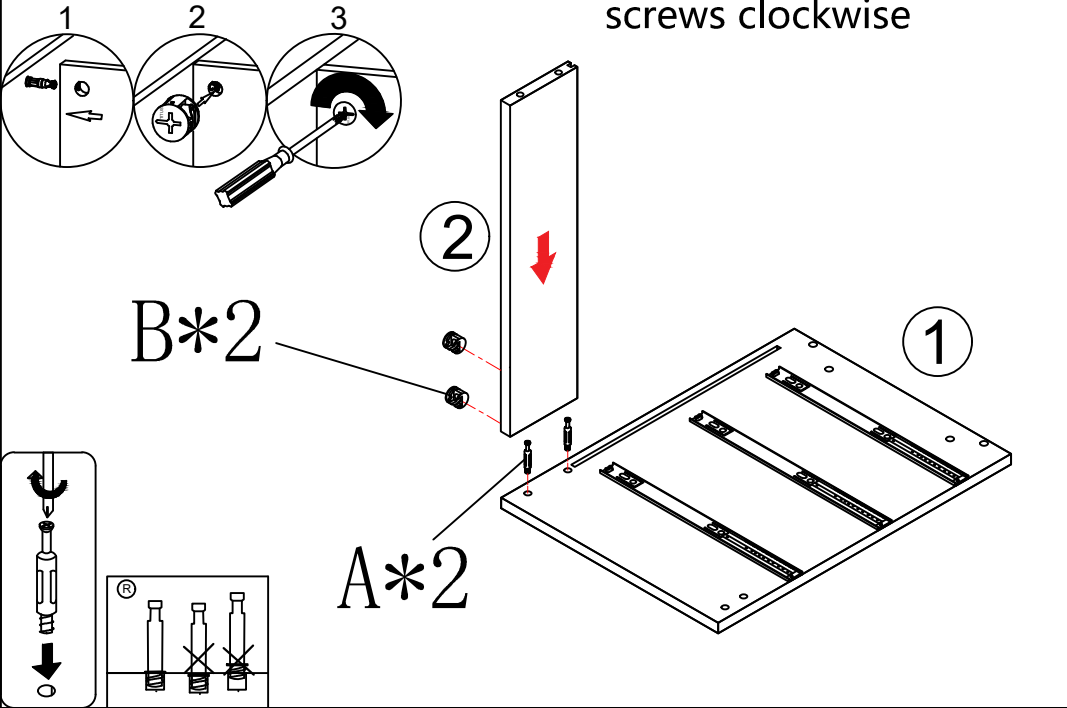


STEP 2



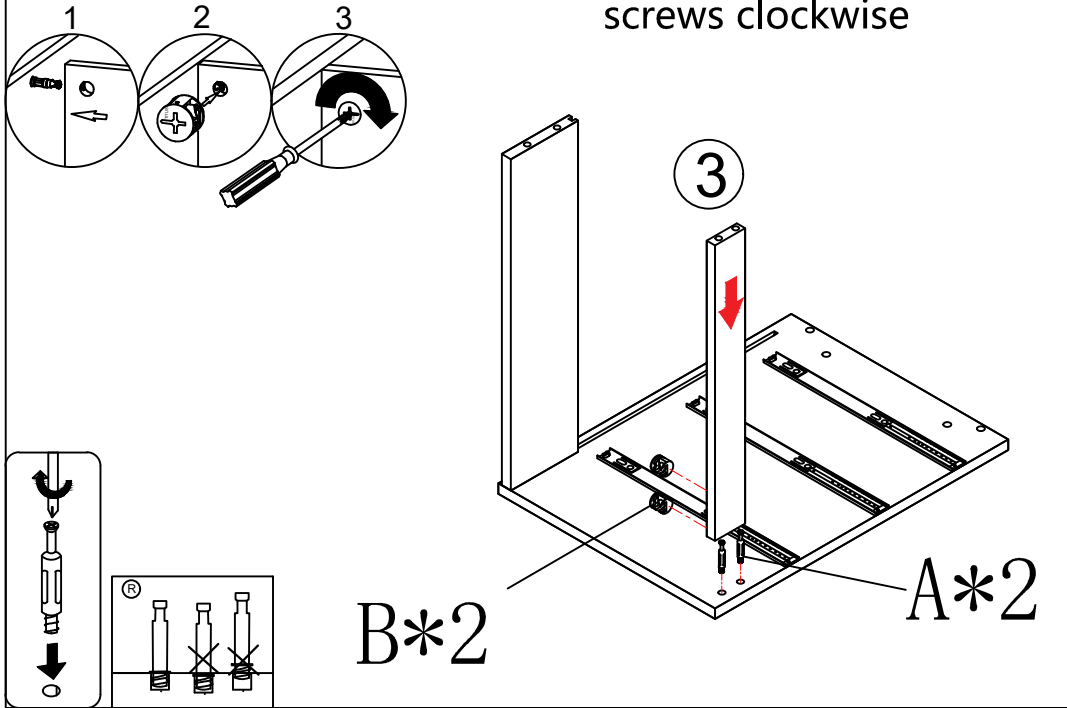
STEP 3

Tighten the fixed locking
screws clockwise

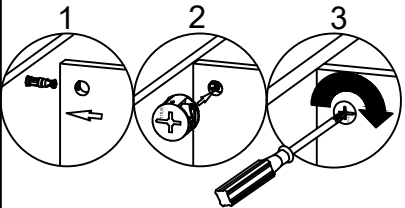


STEP 4

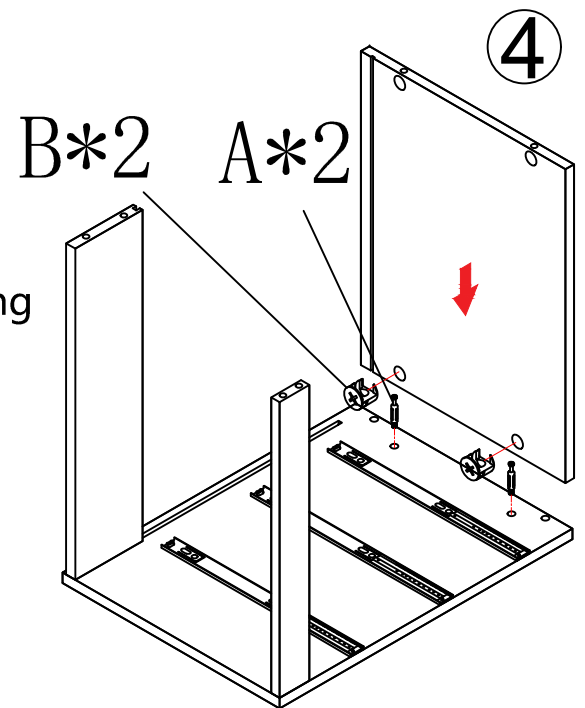
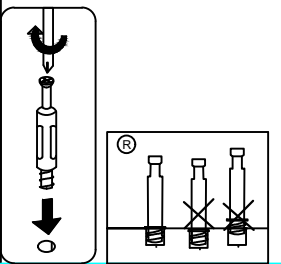
Tighten the fixed locking
screws clockwise



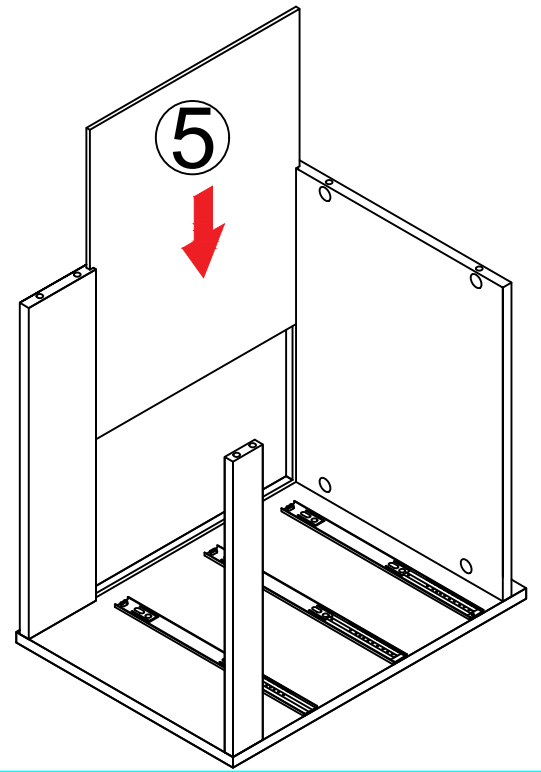
STEP 5



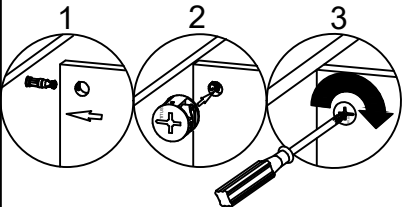
Tighten the fixed locking screws clockwise



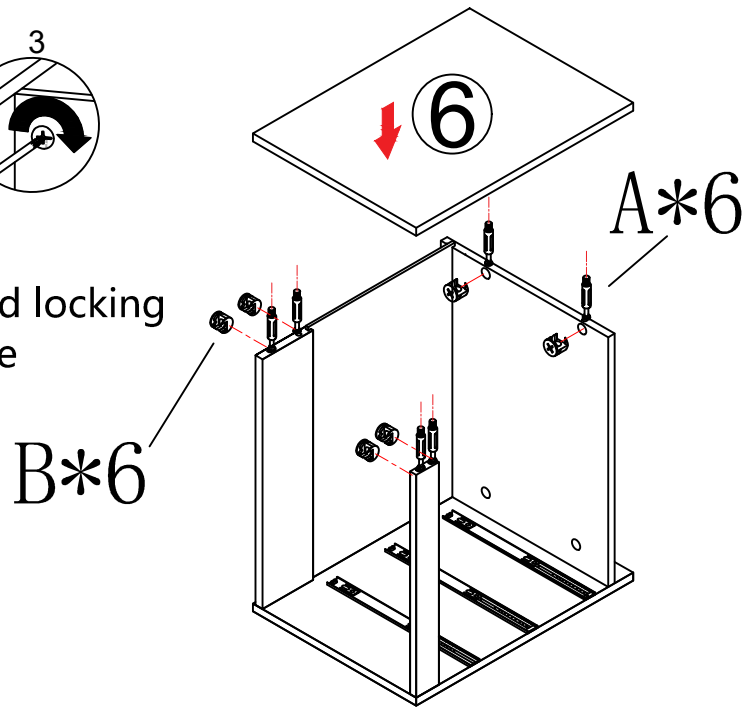
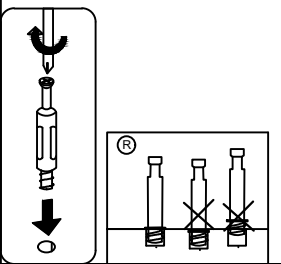
STEP 6



STEP 7

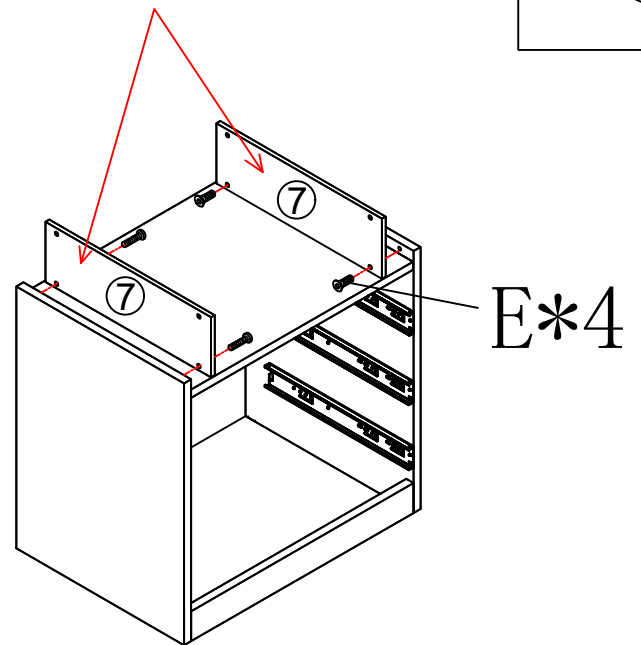
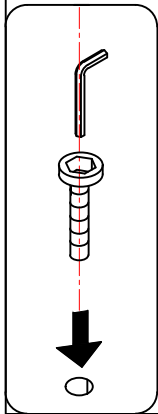
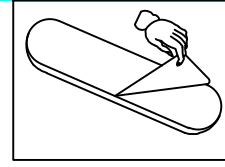


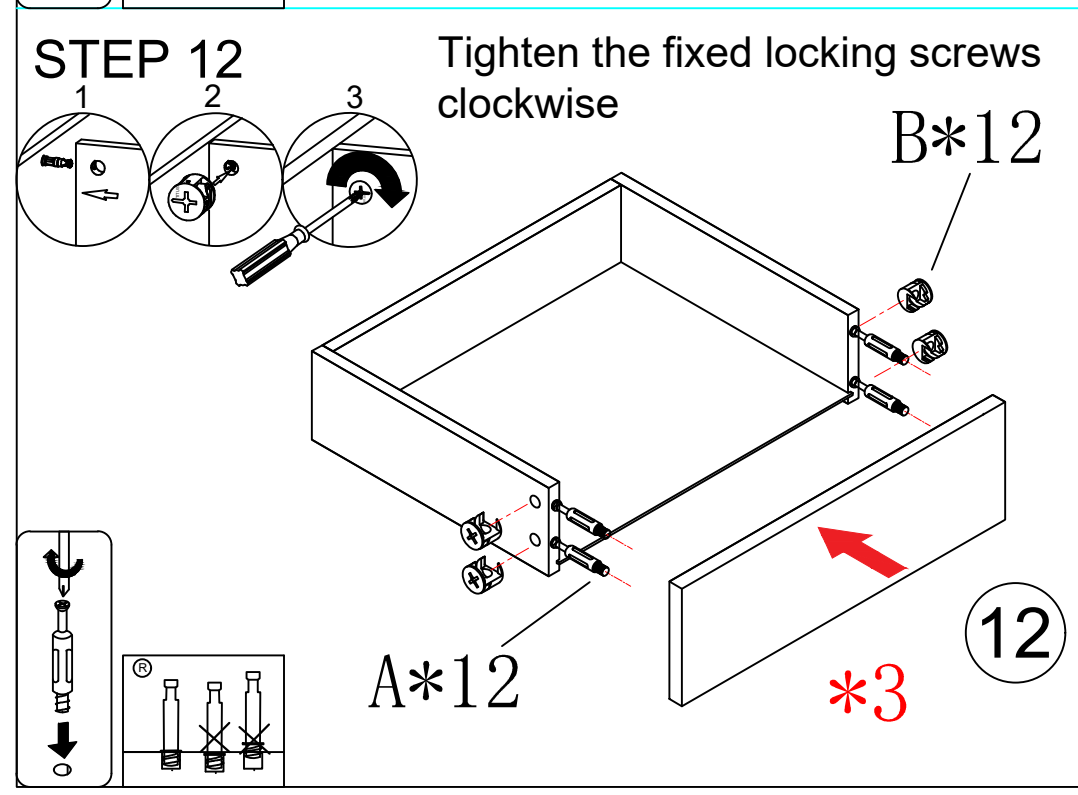
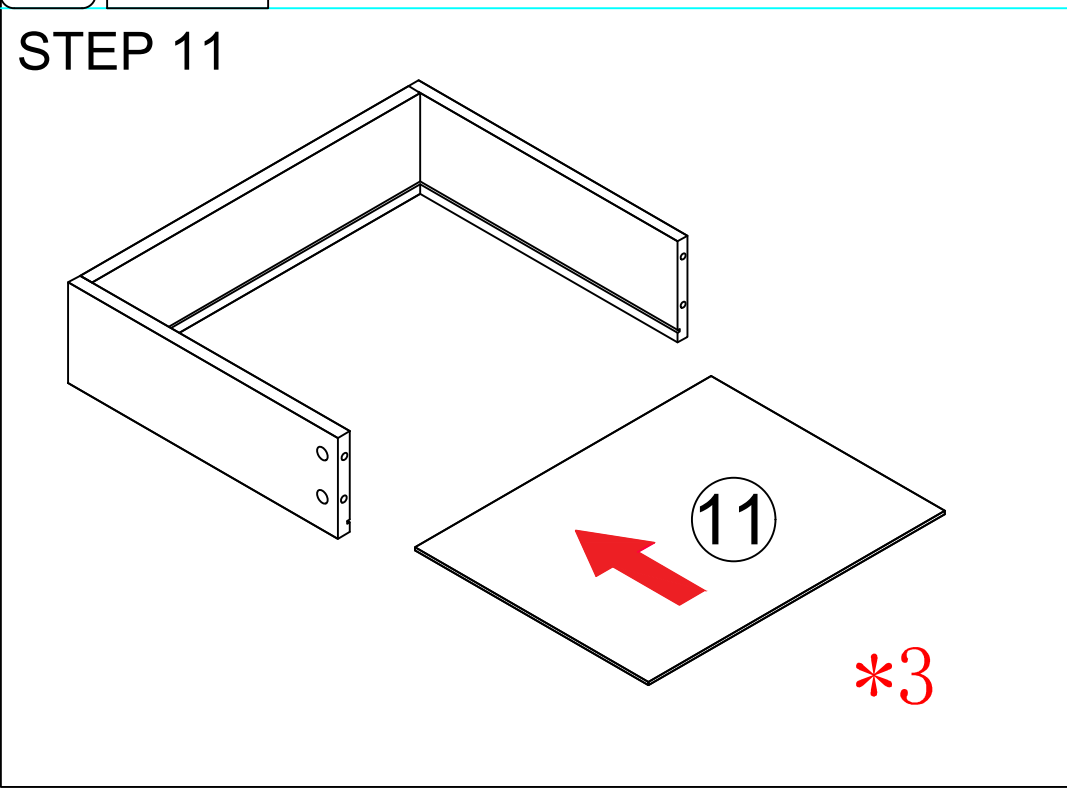
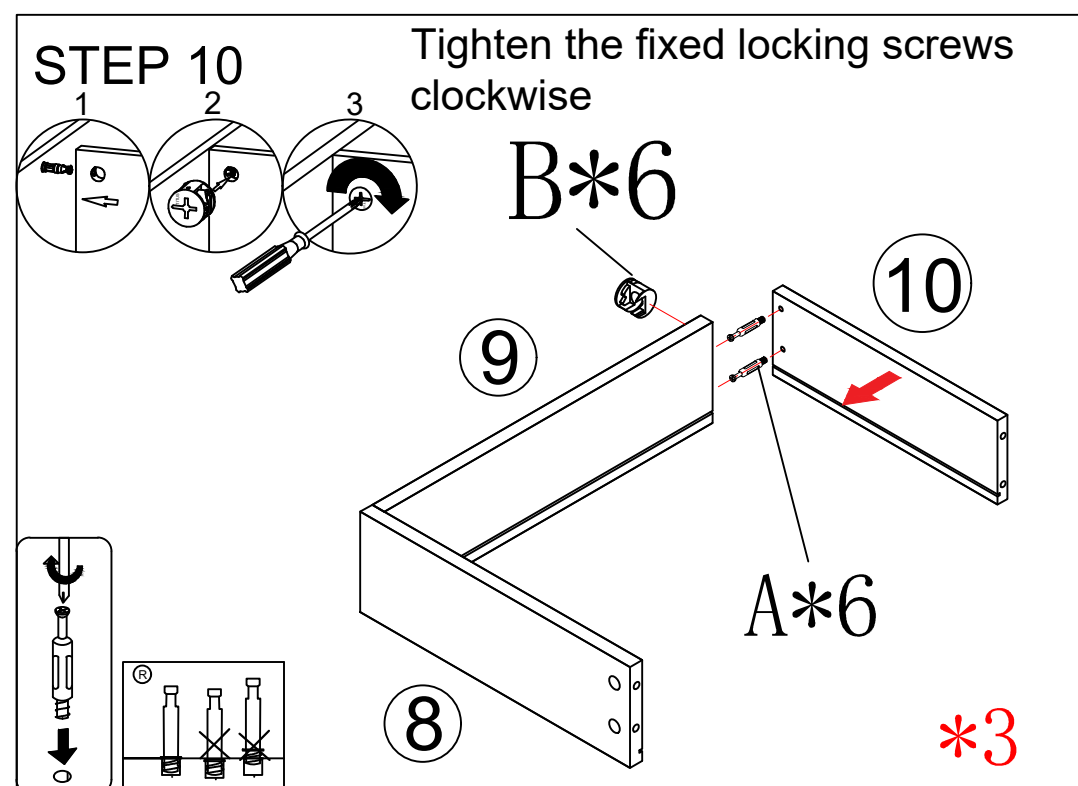
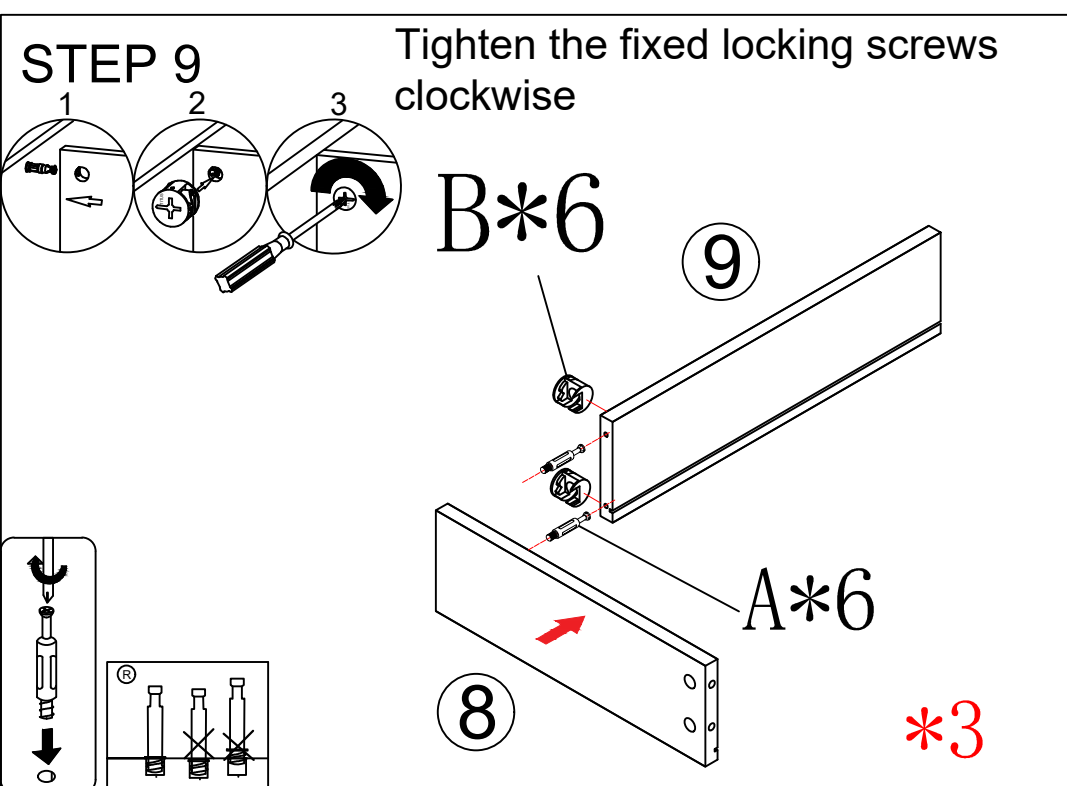
Tighten the fixed locking screws clockwise



STEP 8

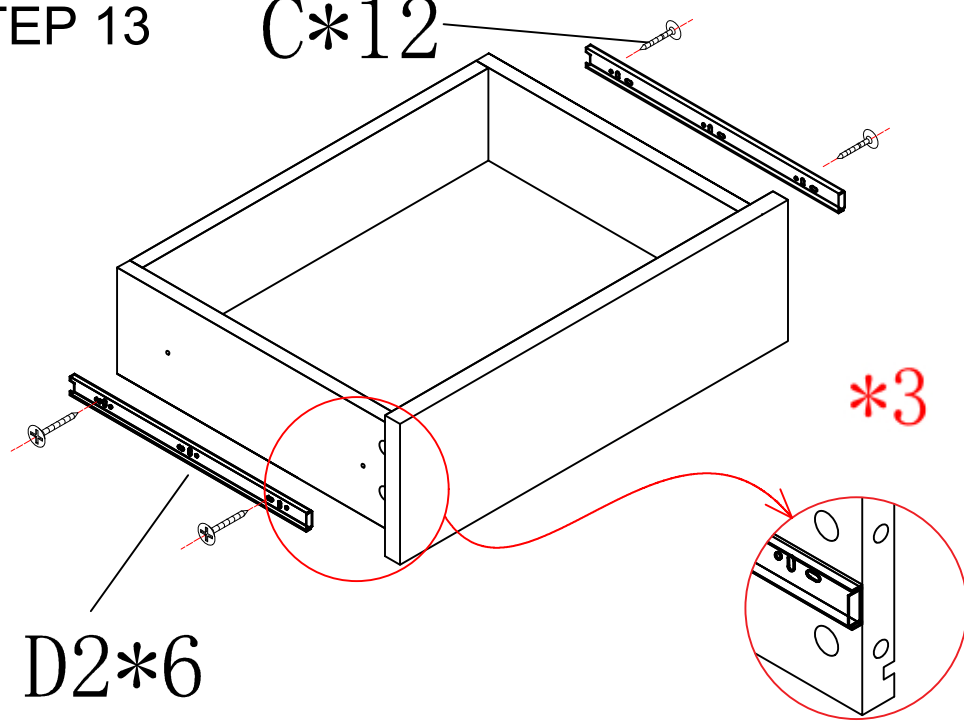
Please strip the plastic film before assembly



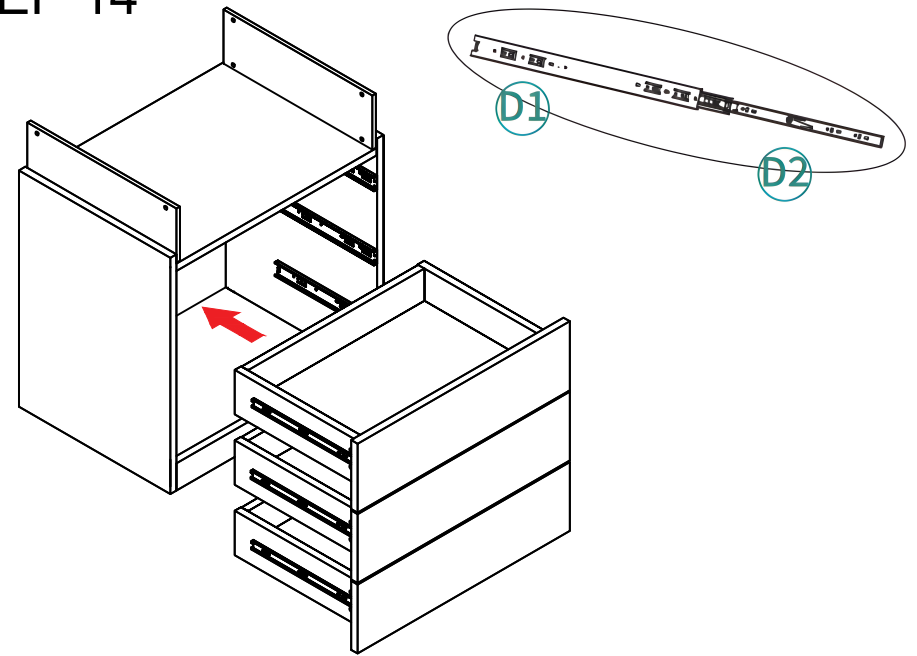


STEP 13

C*12

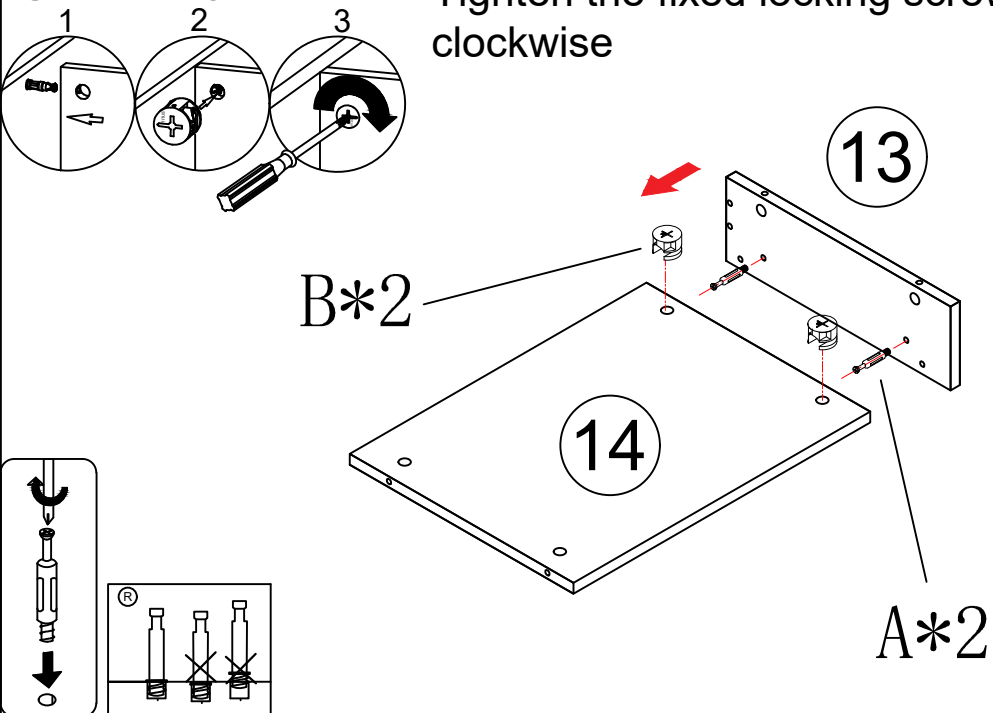


STEP 14



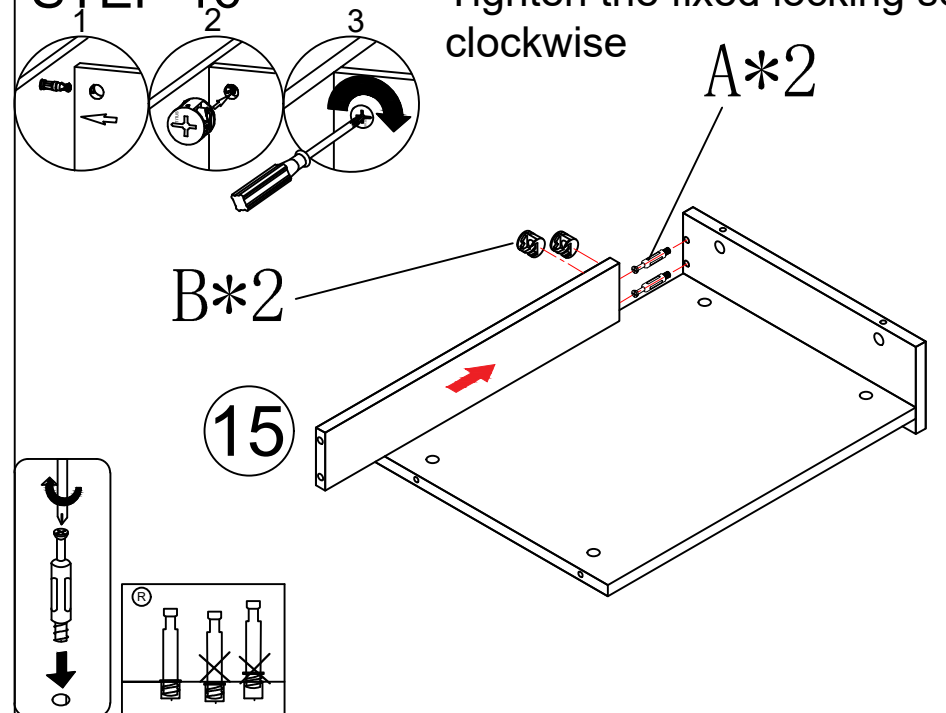
STEP 15

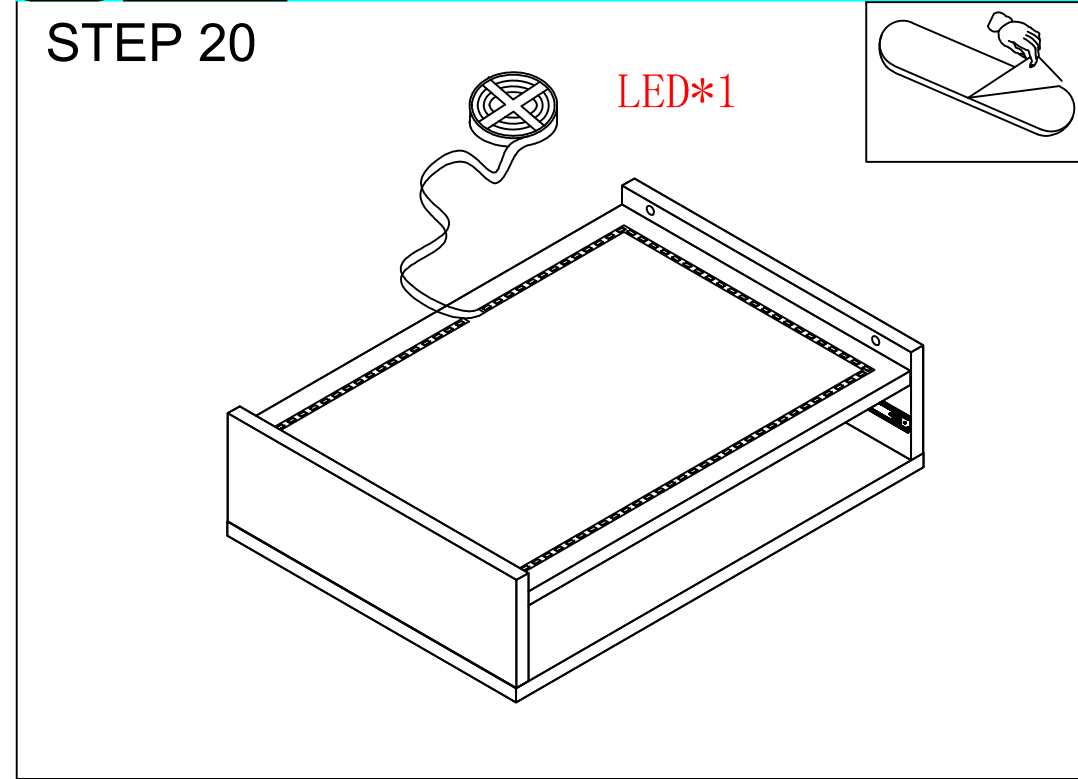
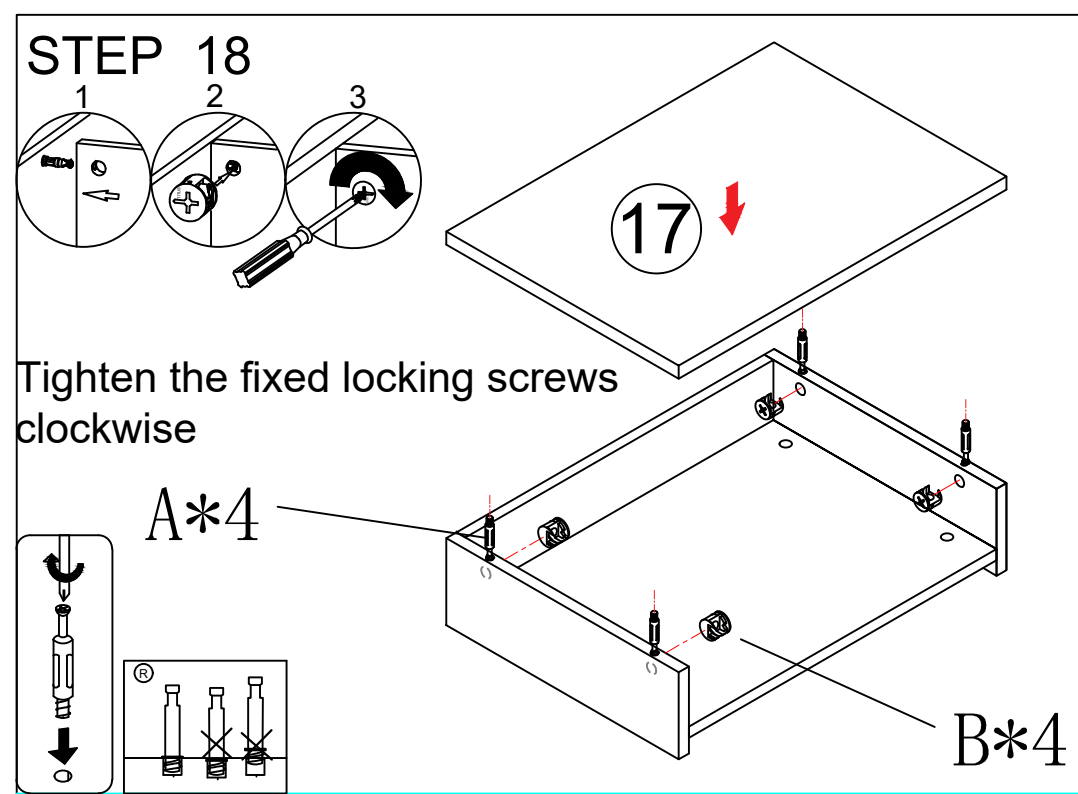
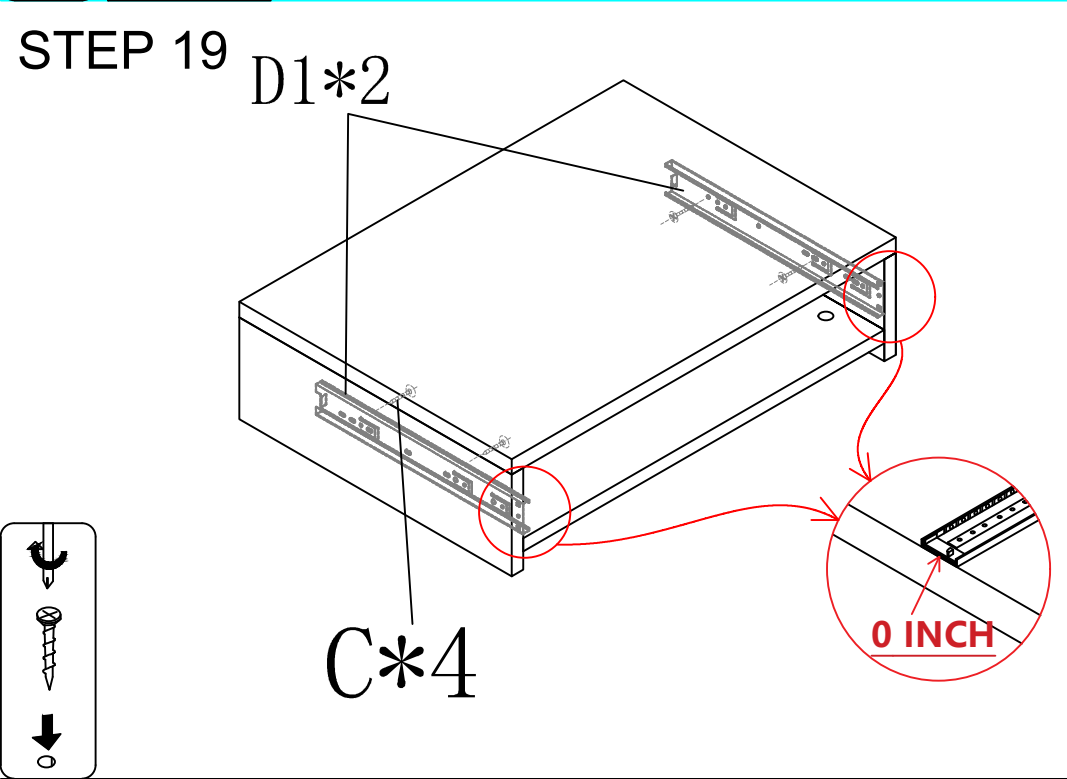
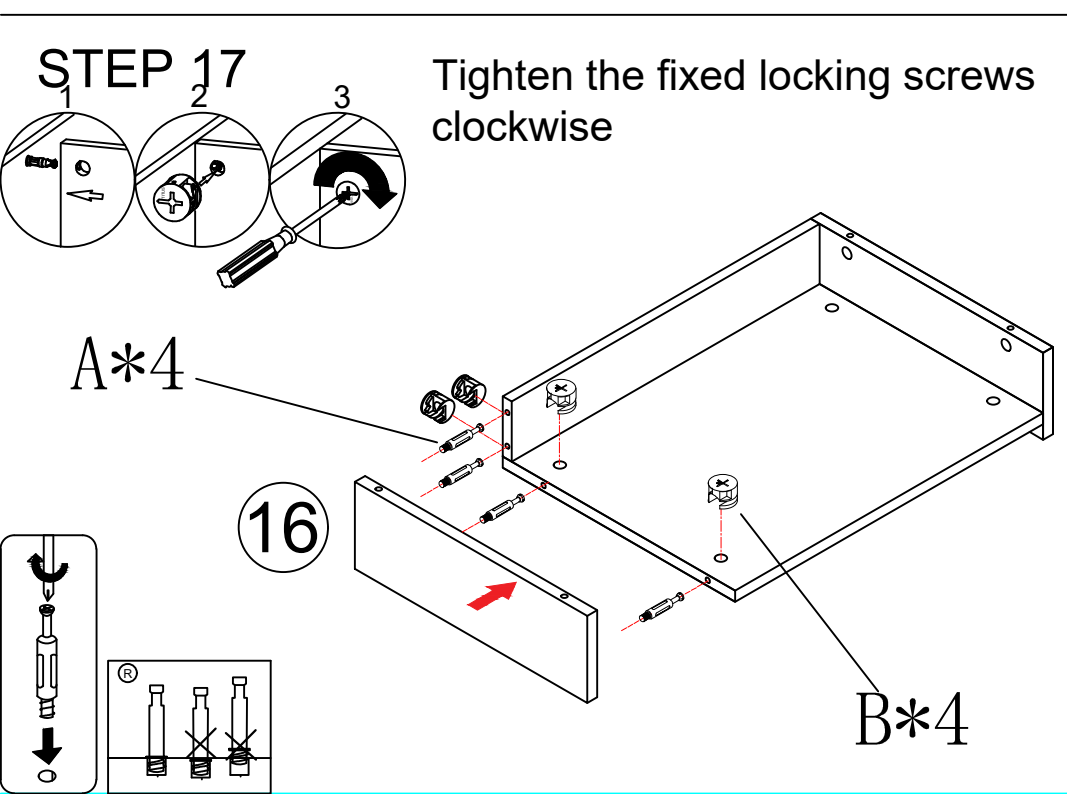
Tighten the fixed locking screws clockwise



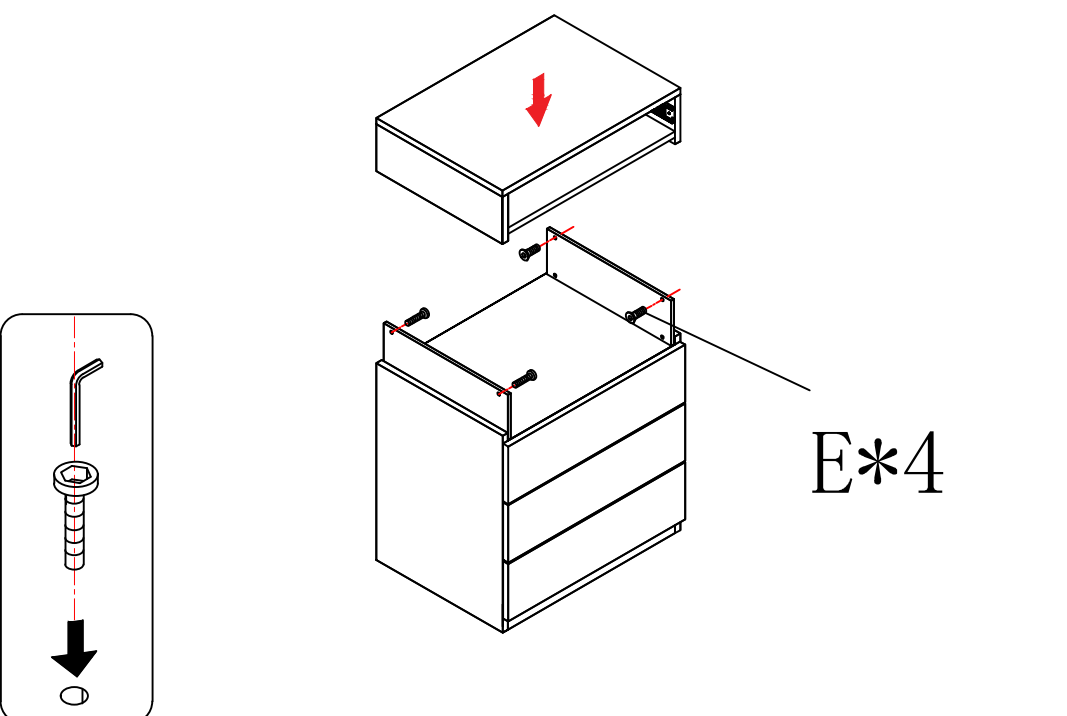
STEP 16

Tighten the fixed locking screws clockwise



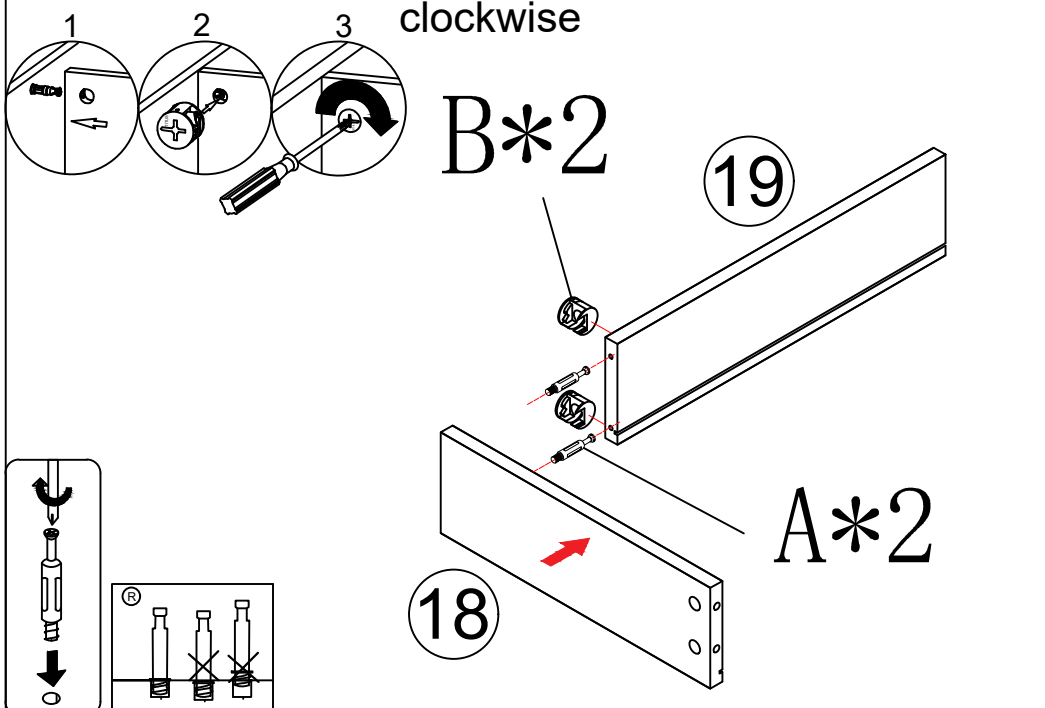


STEP 21



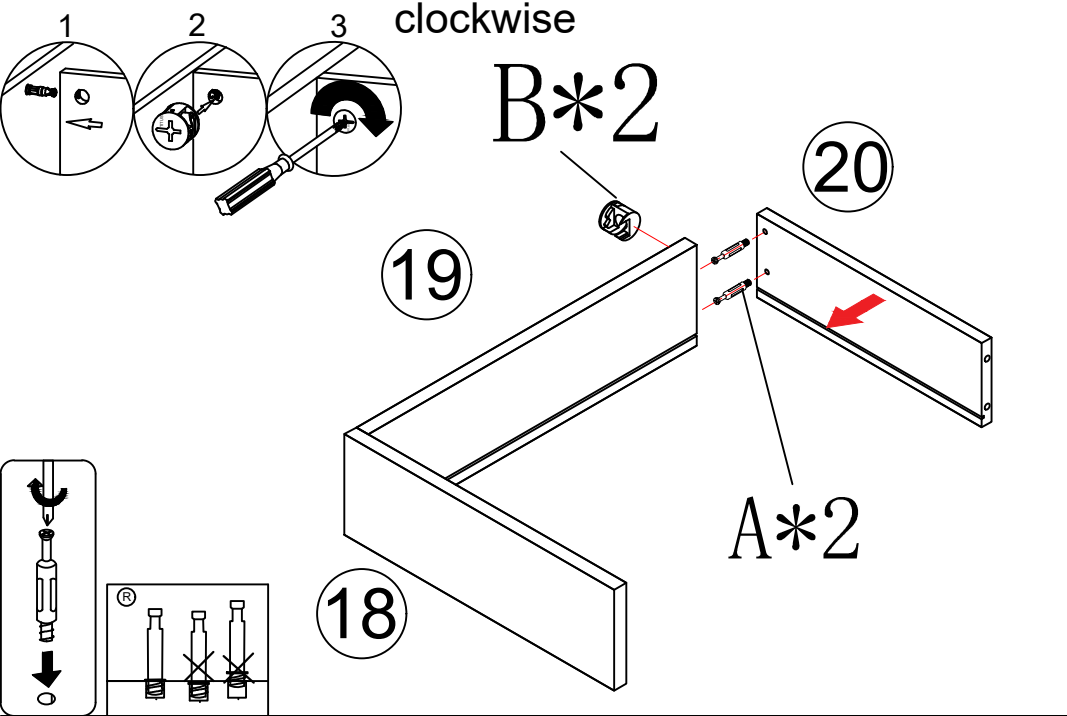
STEP 22

Tighten the fixed locking screws clockwise

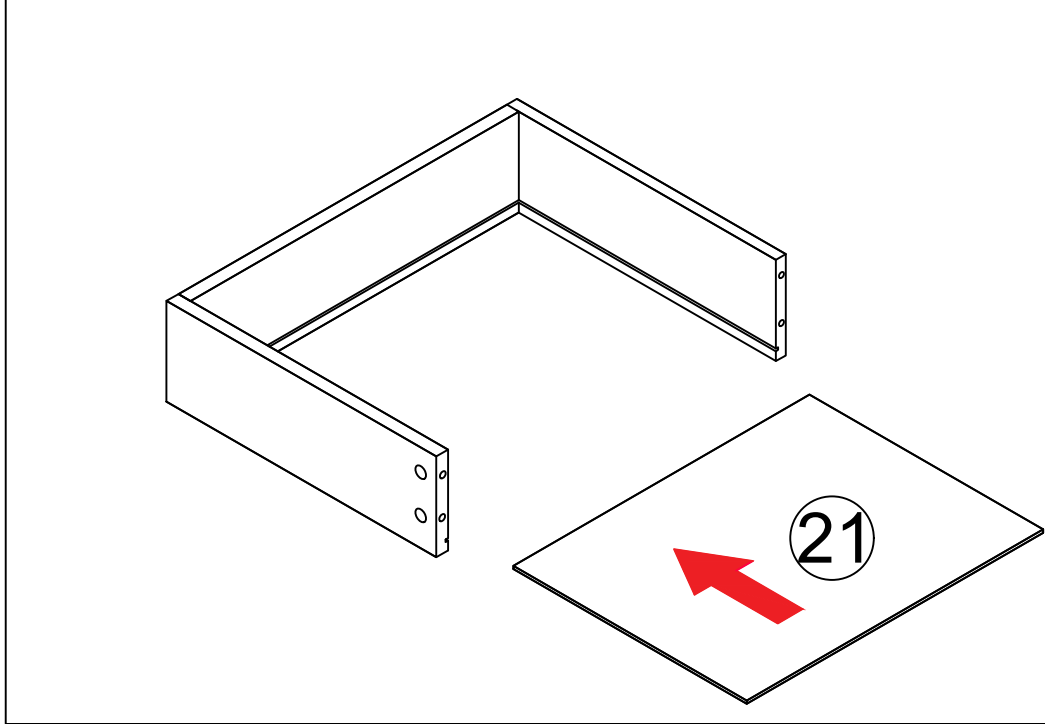


STEP 23

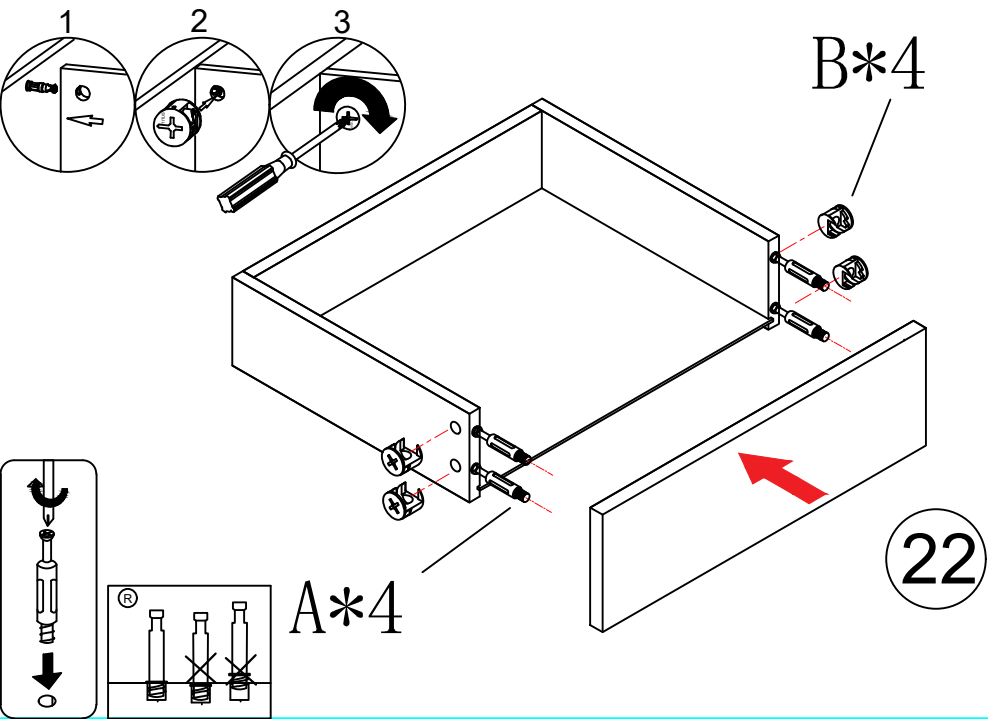
Tighten the fixed locking screws clockwise



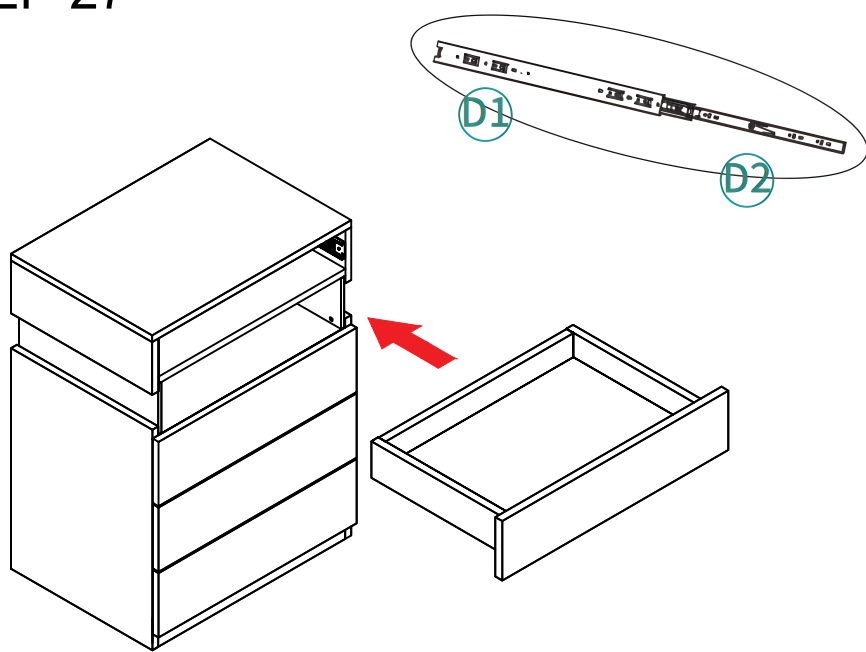
STEP 24



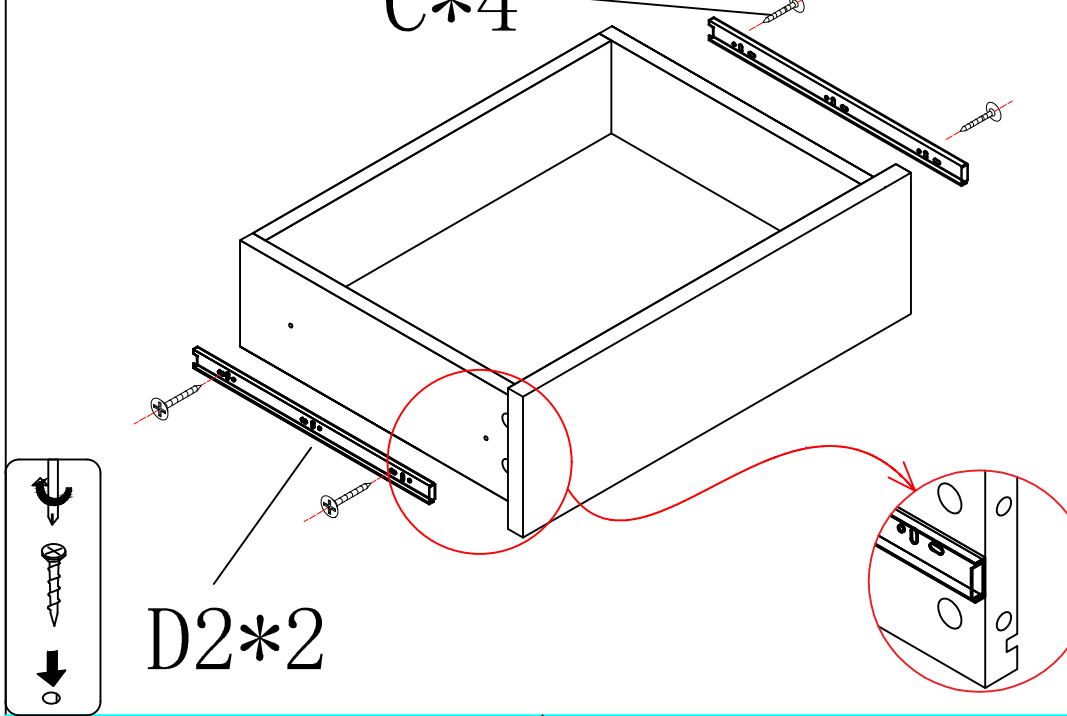
STEP 25



STEP 27



STEP 26



STEP 28

