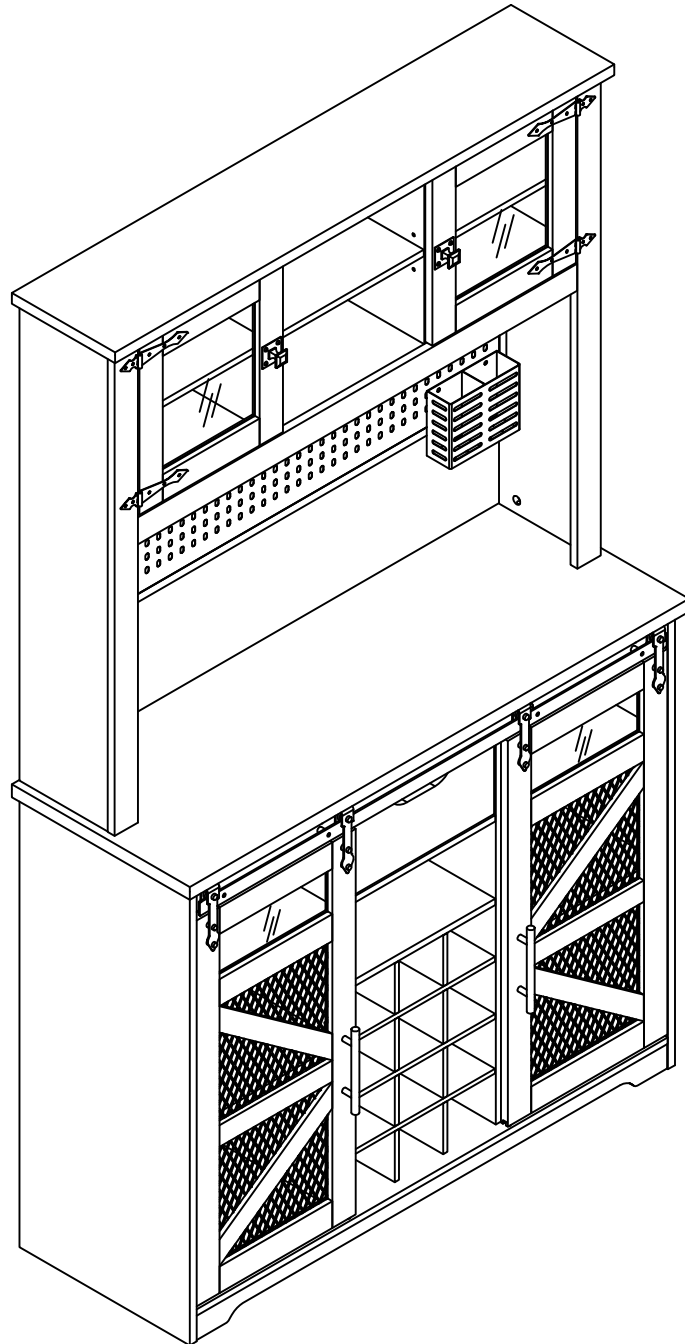


Bar Cabinet Assembly Instructions

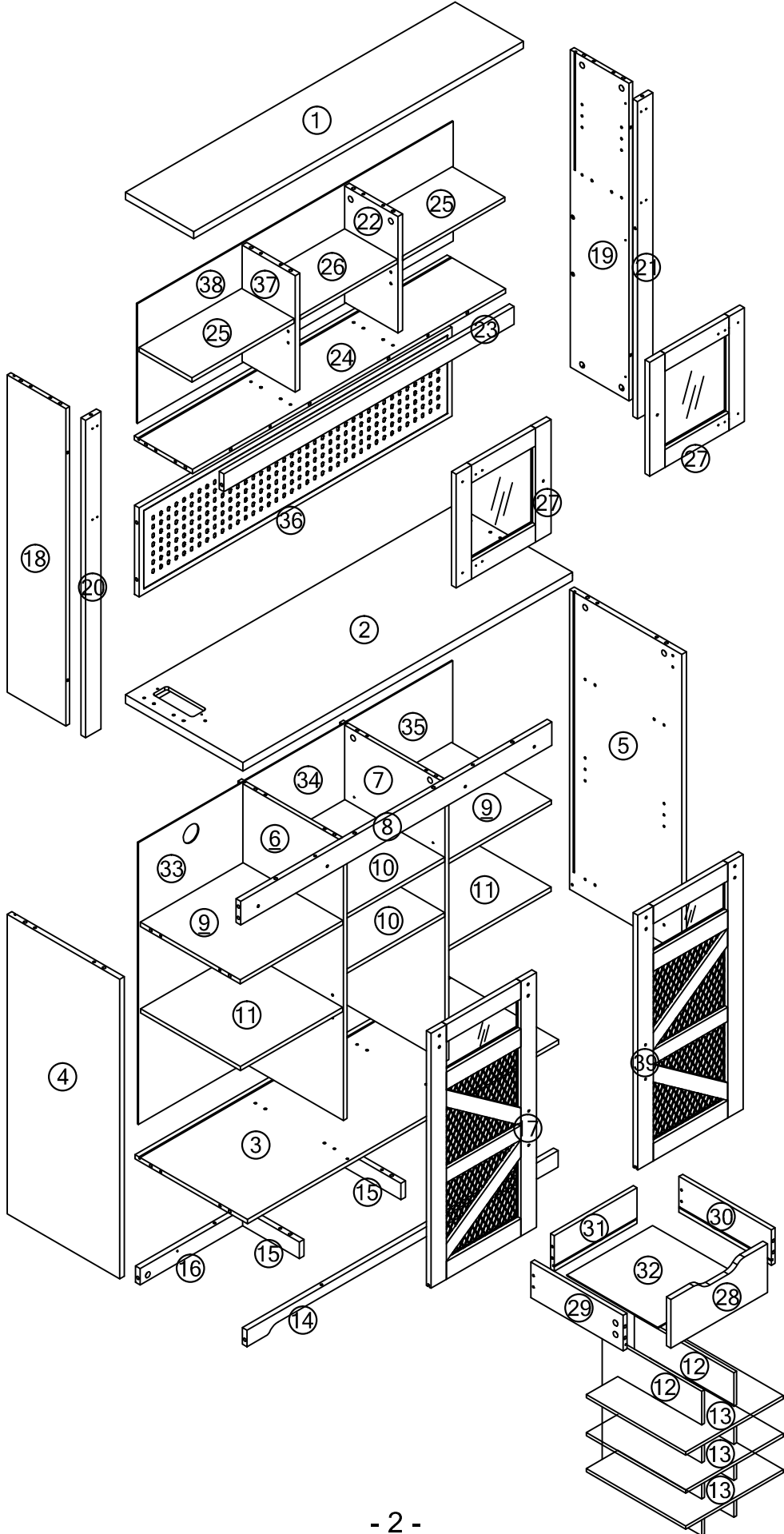


Please read this manual carefully before any operation and keep it properly for future use.

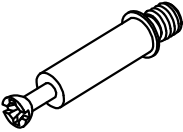

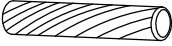

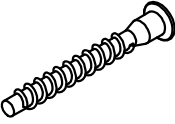

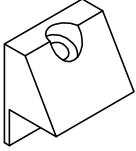
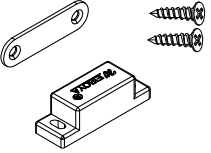


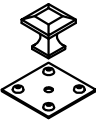



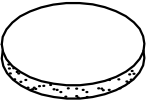
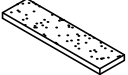
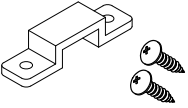



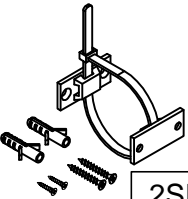
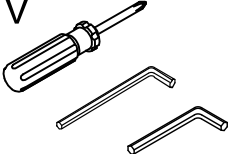


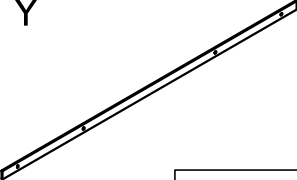
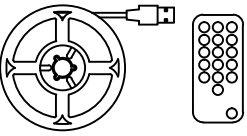
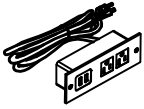
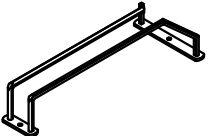
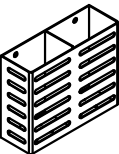
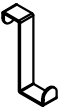
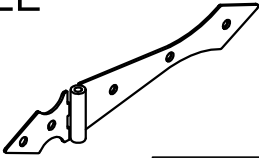
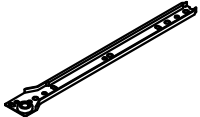
Contents

Panel List.....	2
Hardware List.....	3
Installation Steps.....	5
Warranty Information.....	32

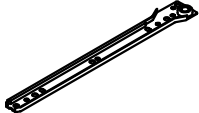
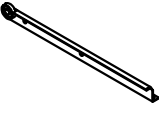
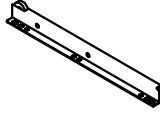
Panel List



Hardware List

<p>A</p>  <p>Ø6*35mm 72+3PCS</p>	<p>B</p>  <p>Ø15x9.5mm 72+3PCS</p>	<p>C</p>  <p>Ø6*30mm 72+3PCS</p>	<p>D</p>  <p>Ø3.5x12mm 14+1PCS</p>
<p>E</p>  <p>Ø5x38mm 14+1PCS</p>	<p>F</p>  <p>Ø3.5x16mm 24+2PCS</p>	<p>G</p>  <p>24+2PCS</p>	<p>H</p>  <p>2PCS</p>
<p>I</p>  <p>Ø5x13.5mm 22+2PCS</p>	<p>J</p>  <p>150x30mm 2PCS</p>	<p>K</p>  <p>40x40x25mm 2PCS</p>	<p>L</p>  <p>M4x20mm 6+1PCS</p>
<p>M</p>  <p>M6x12mm 4PCS</p>	<p>N</p>  <p>Ø3x12mm 20+2PCS</p>	<p>O</p>  <p>Ø21mm 26+2PCS</p>	<p>P</p>  <p>48x14x3mm 6PCS</p>
<p>Q</p>  <p>7+1PCS</p>	<p>R</p>  <p>M6x20mm 8+1PCS</p>	<p>S</p>  <p>M6x25mm 4+1PCS</p>	<p>T</p>  <p>M6x32mm 4+1PCS</p>
<p>U</p>  <p>2SETS</p>	<p>V</p>  <p>1SET</p>	<p>W</p>  <p>124x24.5mm 4PCS</p>	<p>X</p>  <p>Ø10x21mm 4PCS</p>
<p>Y</p>  <p>1000x25mm 1PC</p>	<p>Z</p>  <p>1SET</p>	<p>AA</p>  <p>1PC</p>	<p>BB</p>  <p>2PCS</p>
<p>CC</p>  <p>1PC</p>	<p>DD</p>  <p>2PCS</p>	<p>EE</p>  <p>4PCS</p>	<p>CL</p>  <p>L300mm 1PC</p>

Hardware List

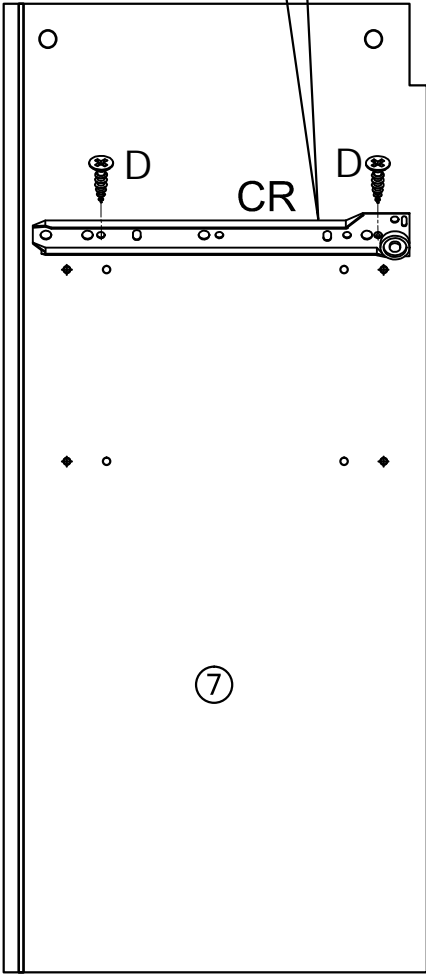
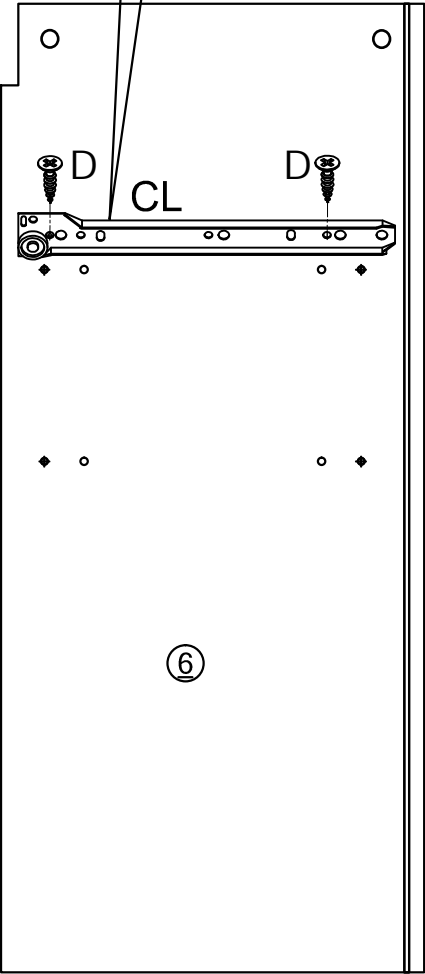
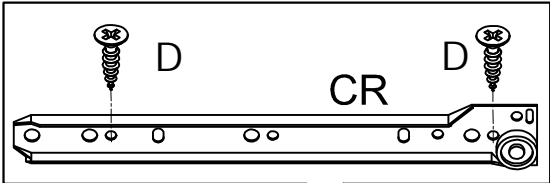
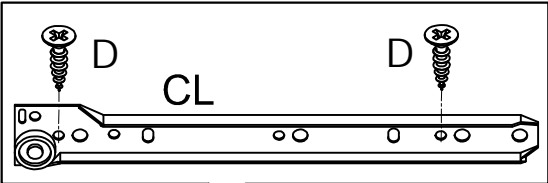
 <p>CR</p>	 <p>DL</p>	 <p>DR</p>			
L300mm	1PC	L300mm	1PC	L300mm	1PC






Please check that all parts are complete before installation.
And please contact us for the missing parts via email.

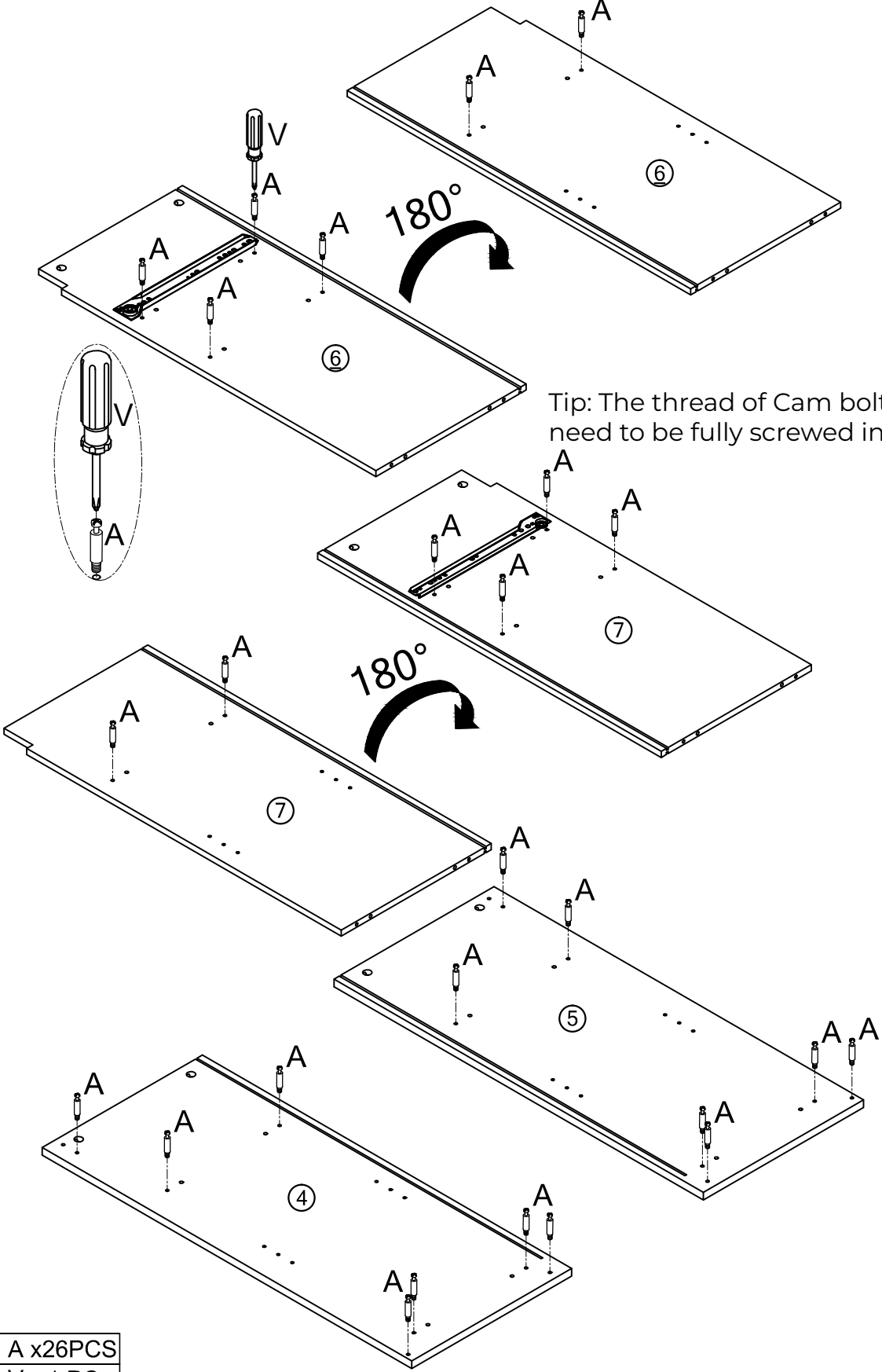
Step 1

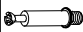

Tip: Please pay attention to confirm the hole locations in this step.



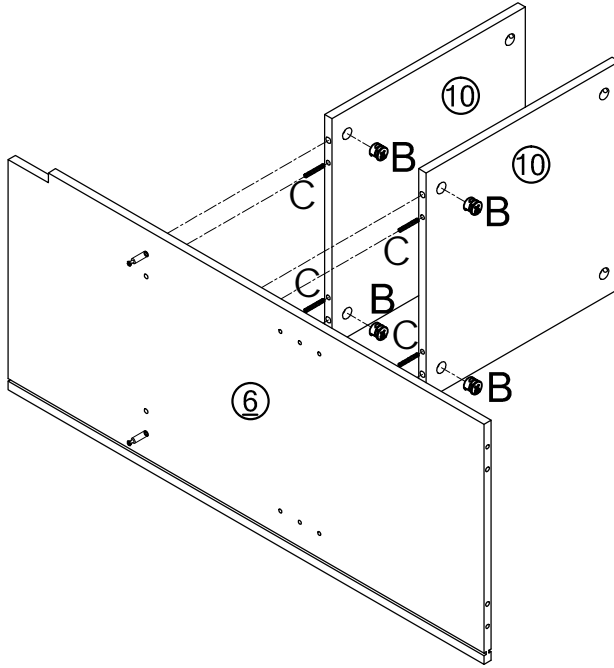
	D x 4 PCS
	CL x 1 PC
	CR x 1 PC

Step 2





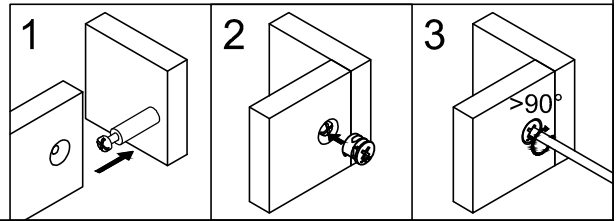
	A x26PCS
	V x 1 PC

Step 3

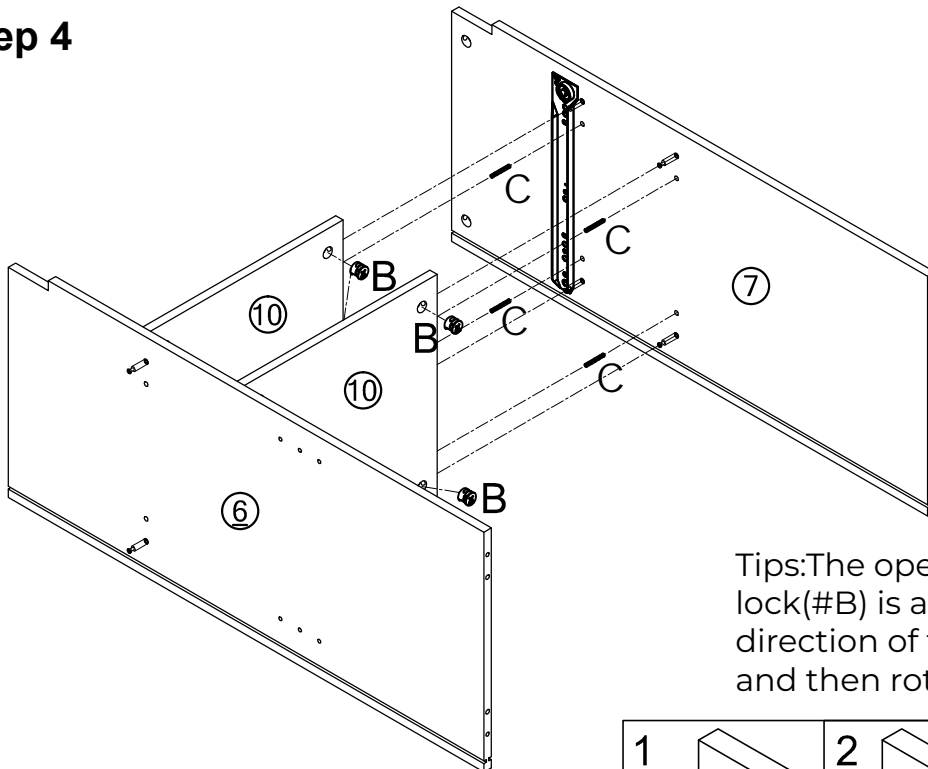


Tips: The opening of the Cam lock (#B) is aligned with the direction of the Cam bolt (#A) and then rotate and tighten.



	B x 4PCS
	C x 4PCS

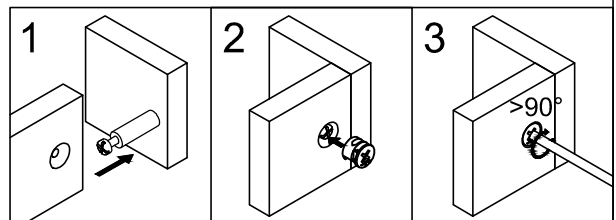


Step 4

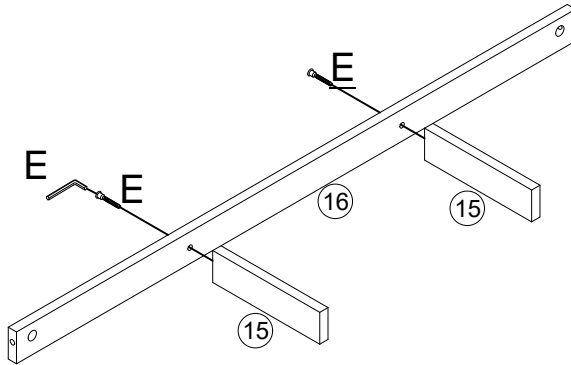
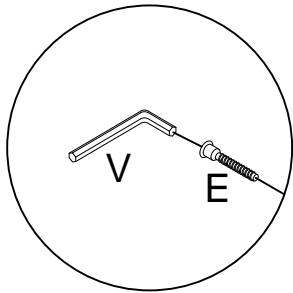




Tips: The opening of the Cam lock (#B) is aligned with the direction of the Cam bolt (#A) and then rotate and tighten.

	B x 4PCS
	C x 4PCS



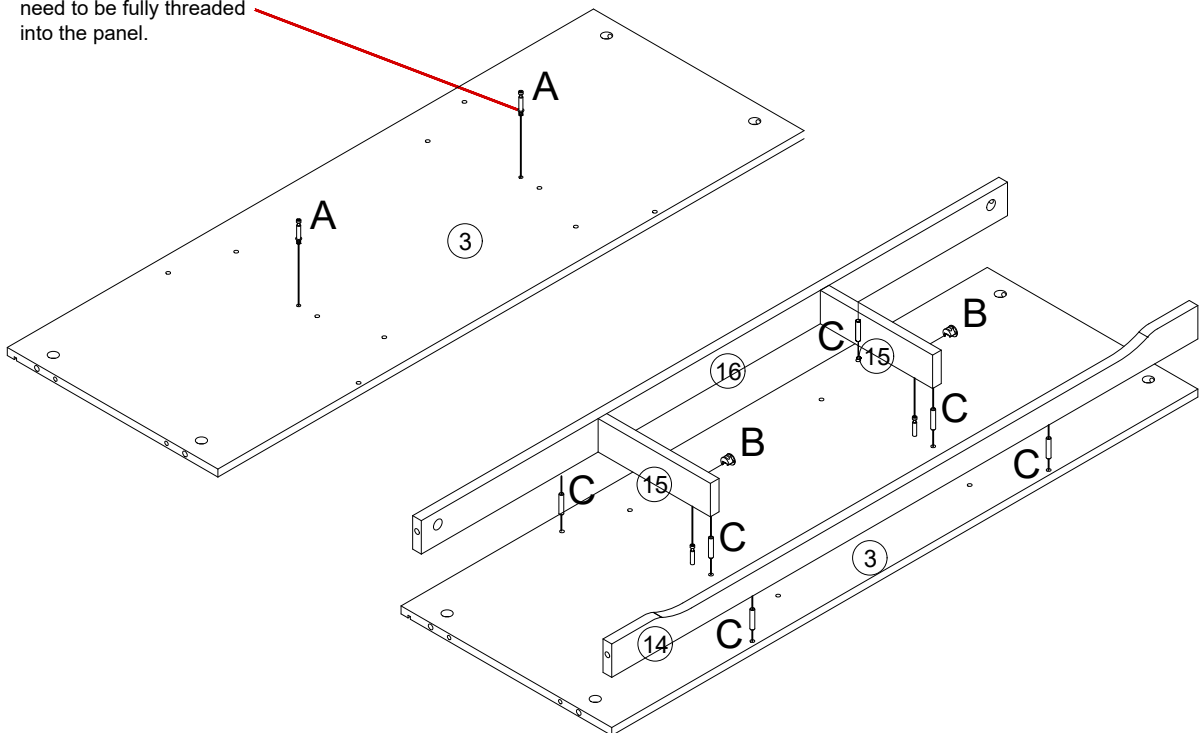
Step 5

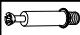




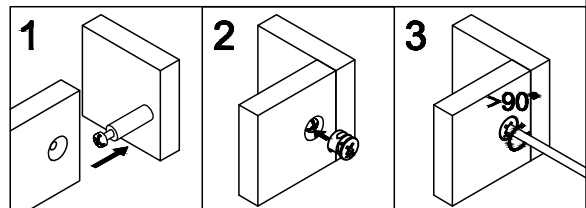
	V x 1PCS
	E x 2PCS

Step 6

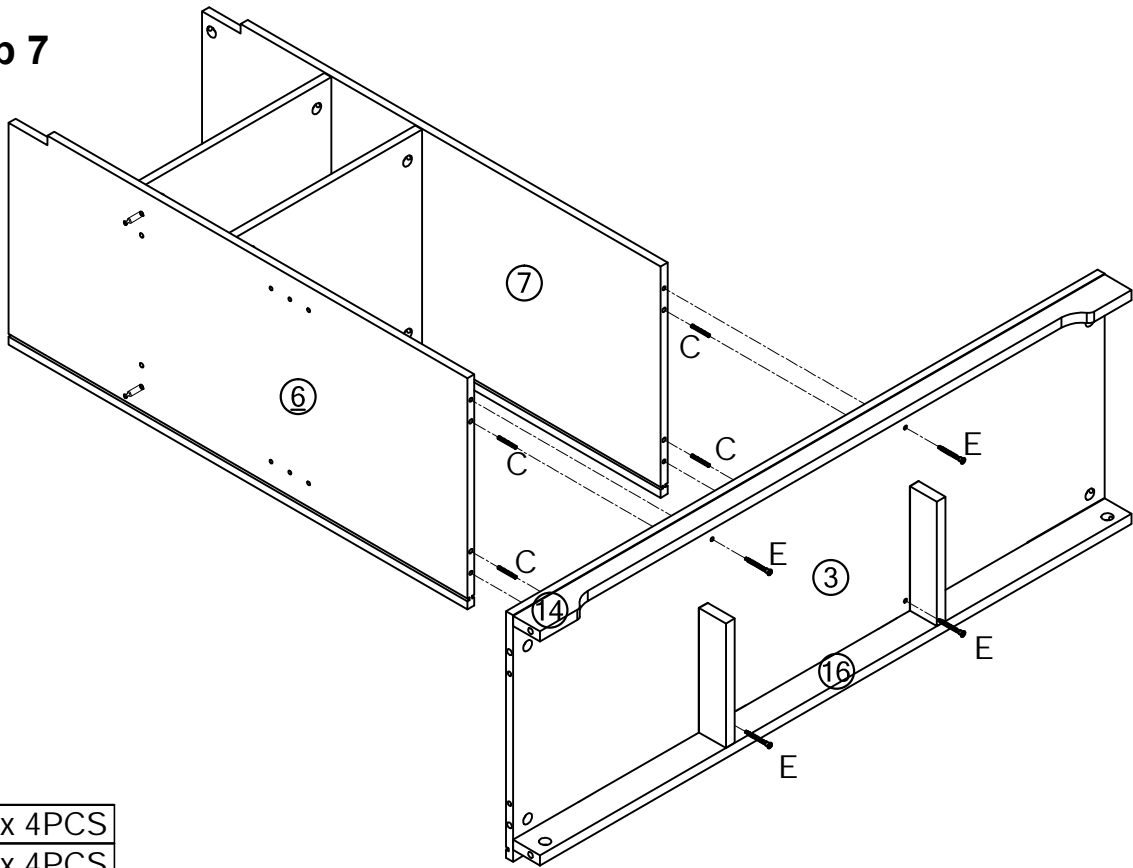
The threads of Cam bolt (#A) need to be fully threaded into the panel.





	A x 2PCS
	B x 2PCS
	C x 6PCS

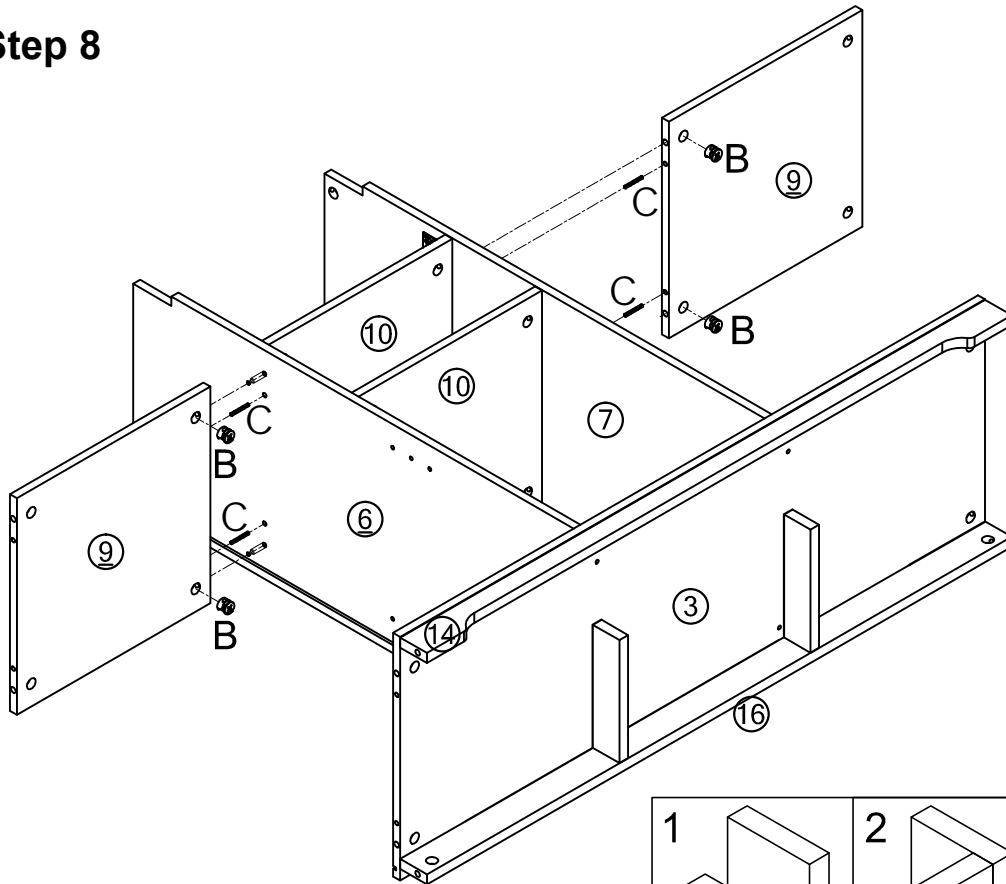




Step 7

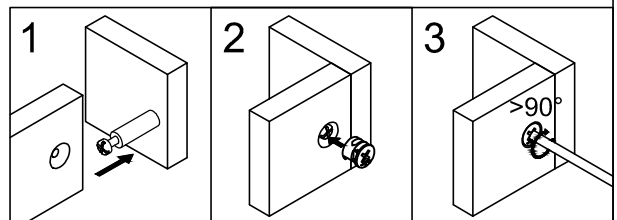


	C x 4PCS
	E x 4PCS

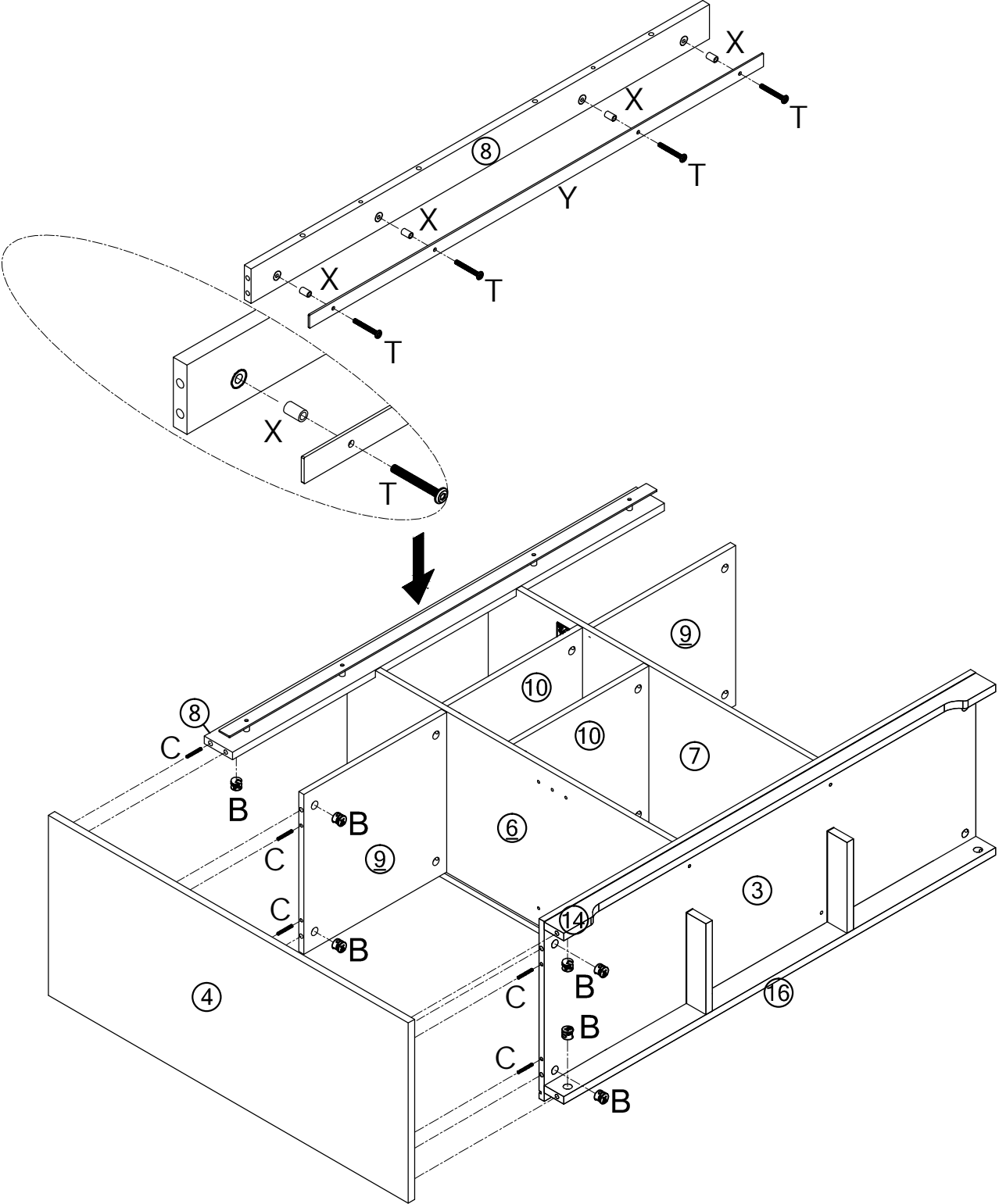
Step 8



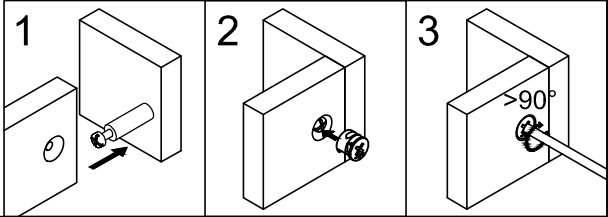
	B x 4PCS
	C x 4PCS



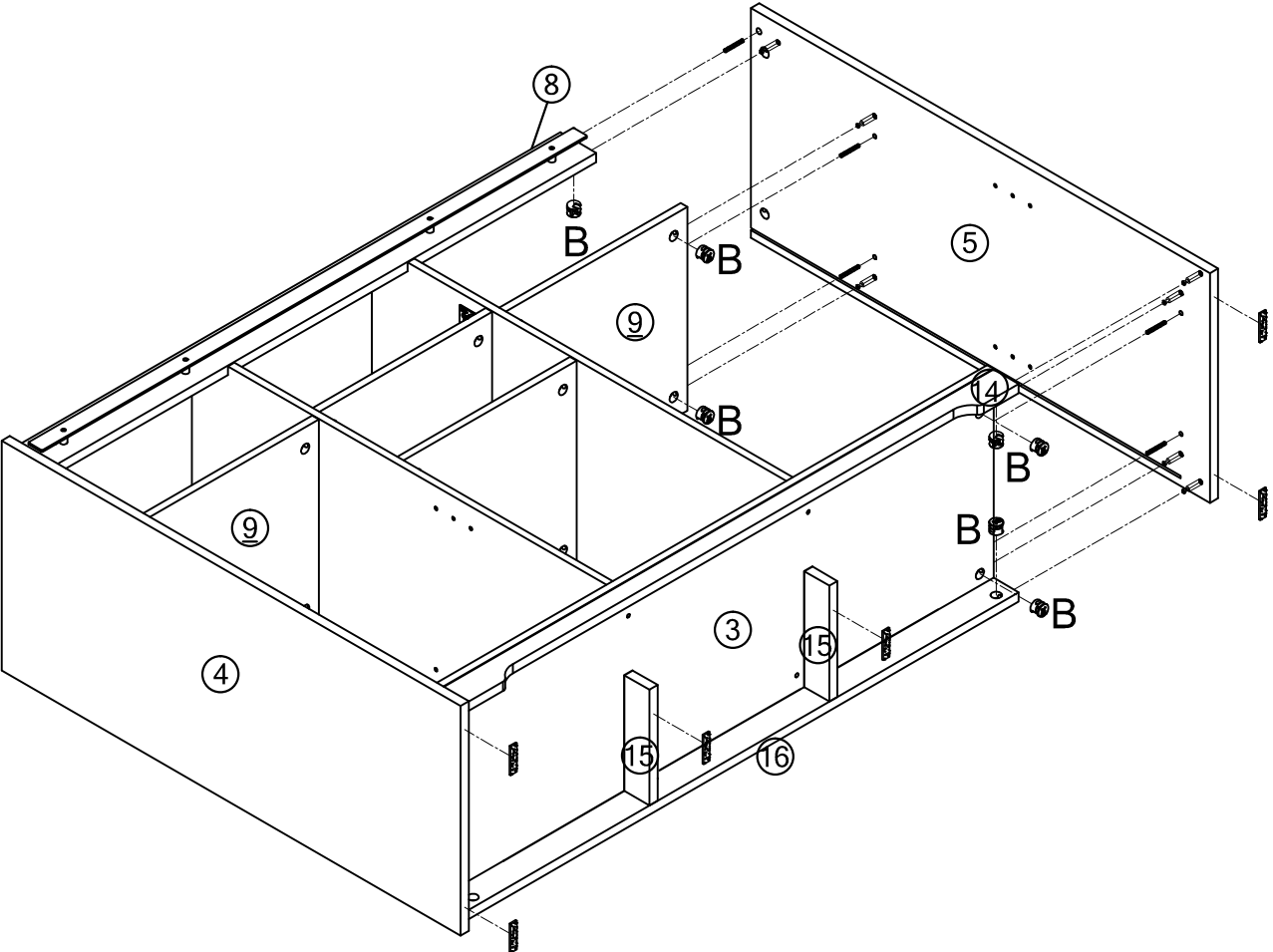
Step 9






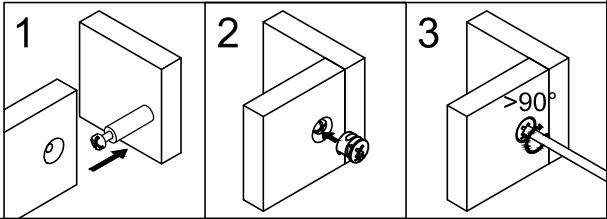
	B x 7PCS
	C x 5PCS
	T x 4PCS
	Y x 1PC
	X x 4PCS



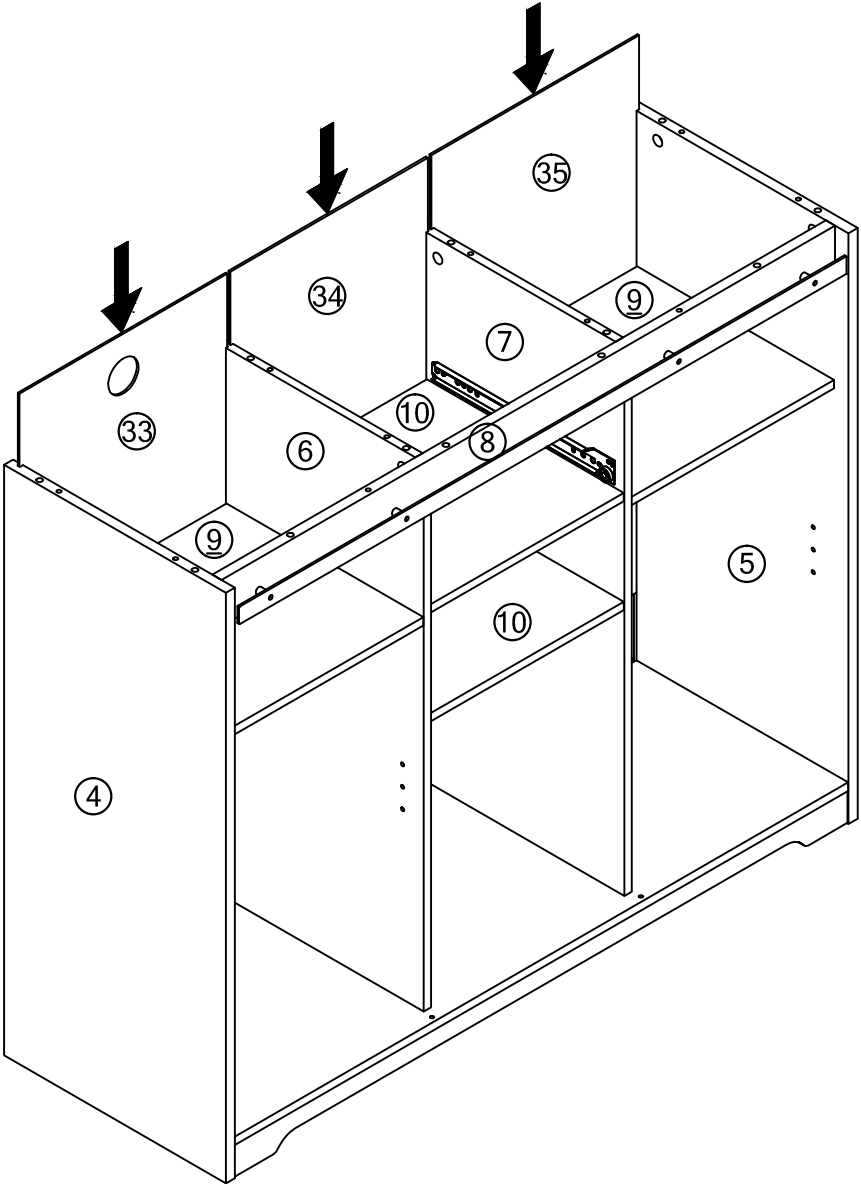
Step 10



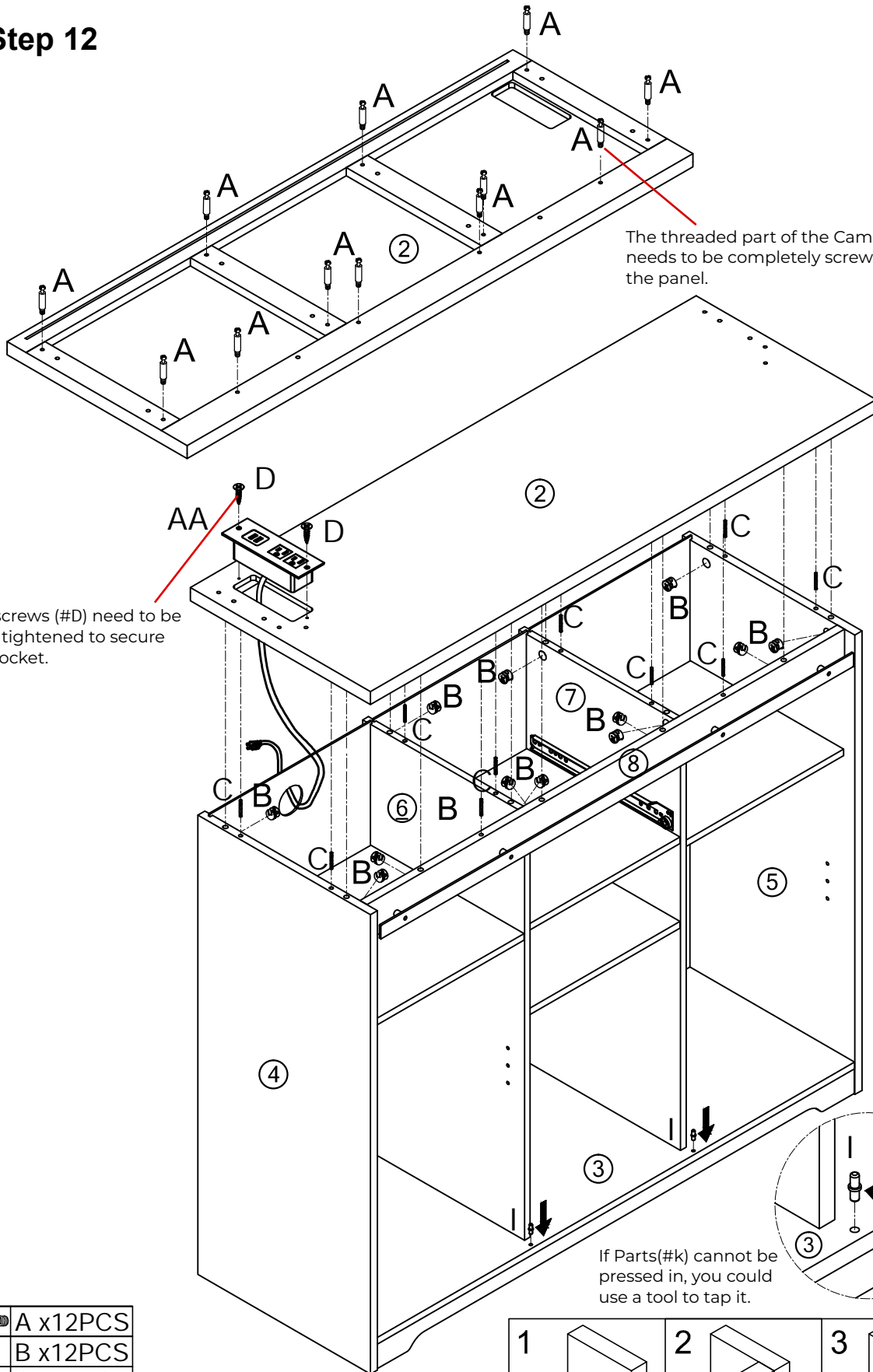
	B x 7PCS
	C x 5PCS
	P x 6PCS



Step 11



Step 12

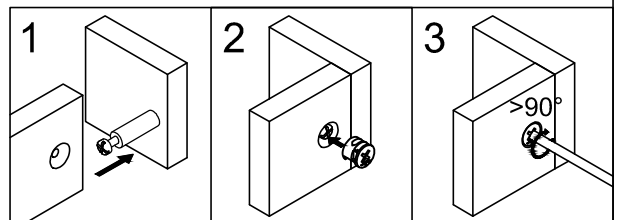


The threaded part of the Cam bolt (#A) needs to be completely screwed into the panel.

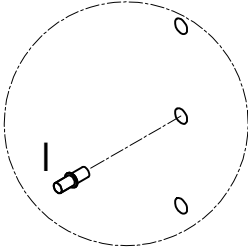
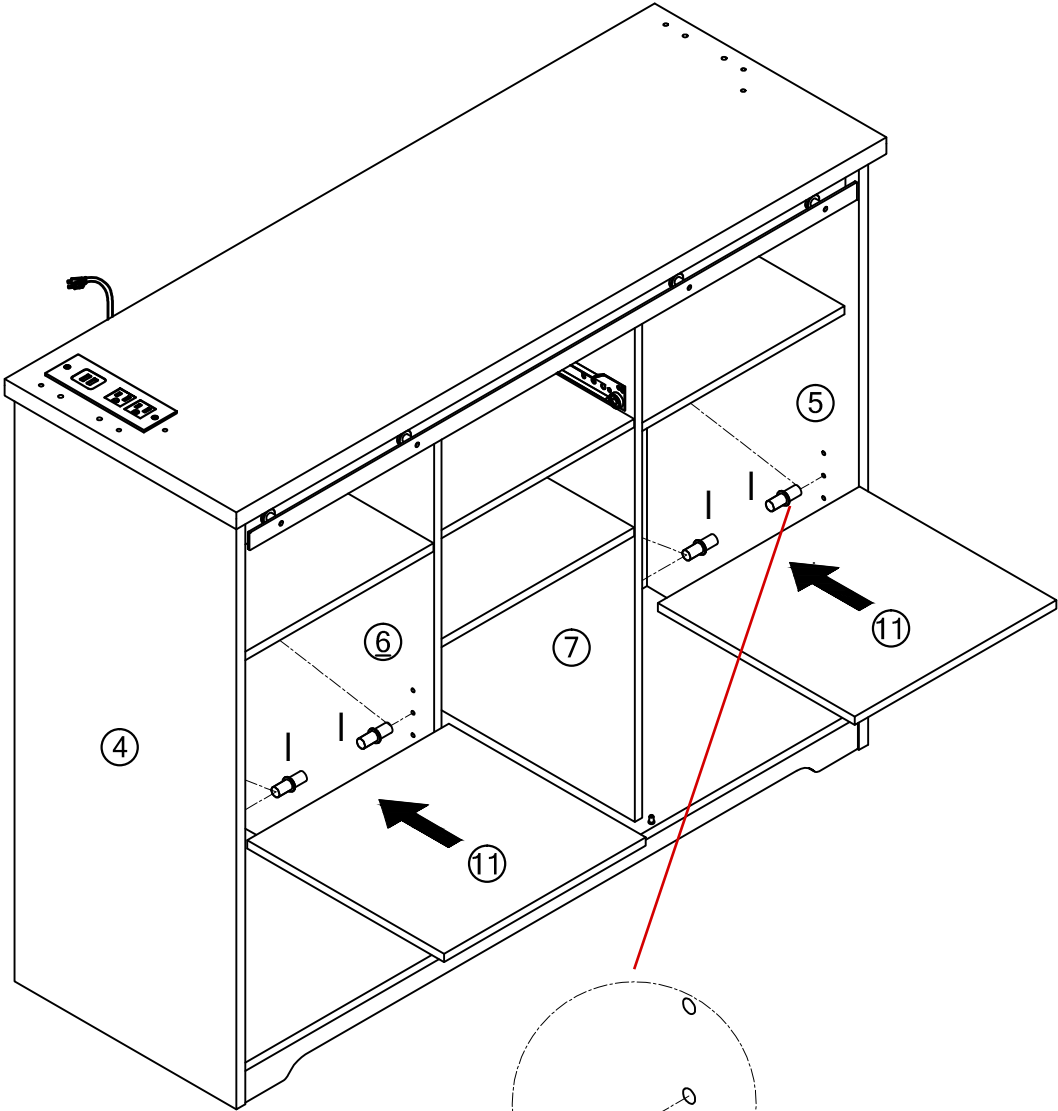
The screws (#D) need to be fully tightened to secure the socket.

If Parts(#k) cannot be pressed in, you could use a tool to tap it.


	A x12PCS
	B x12PCS
	C x10PCS
	D x2PCS
	I x2PCS
	AA x1PC



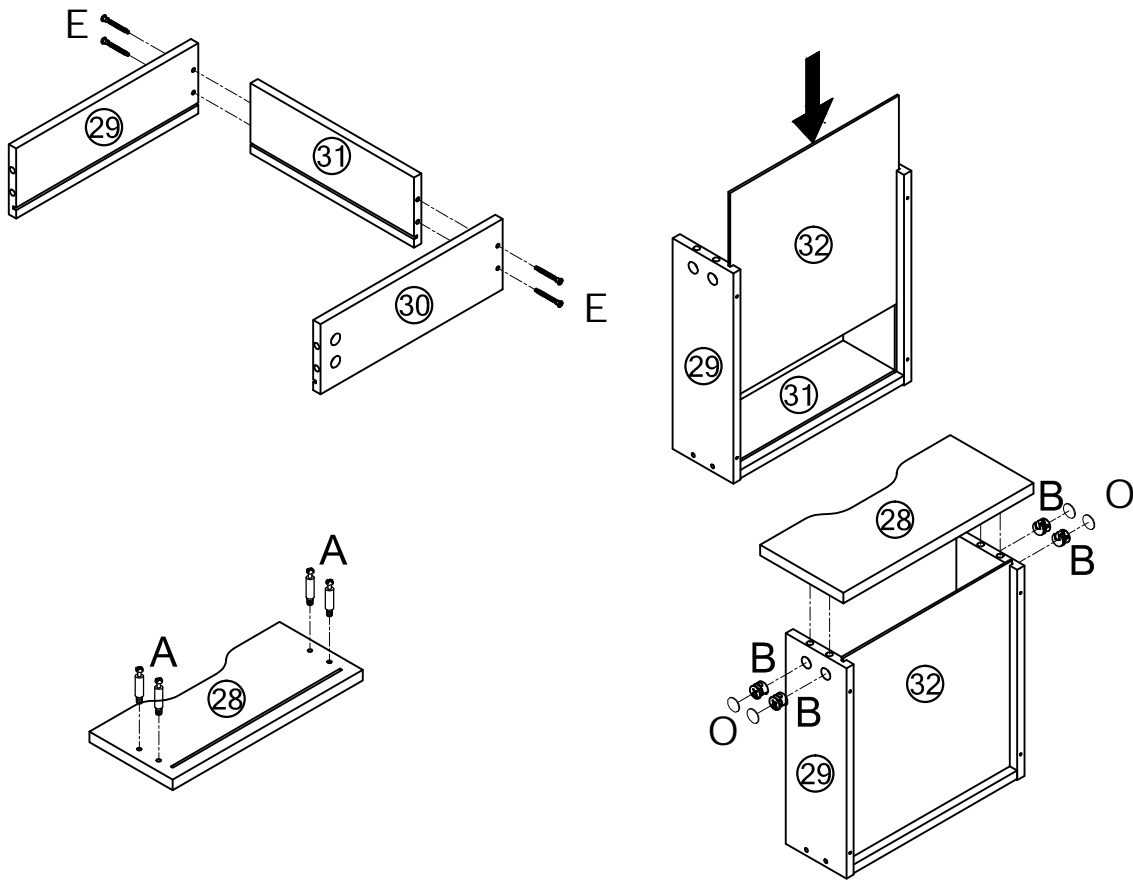
Step 13



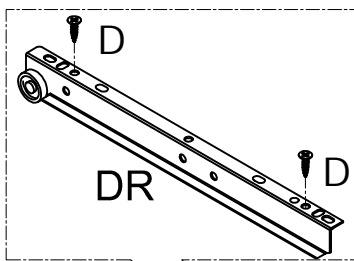
If Parts(#1) cannot be pressed in, you could use a tool to tap it.

 1 x 8PCS

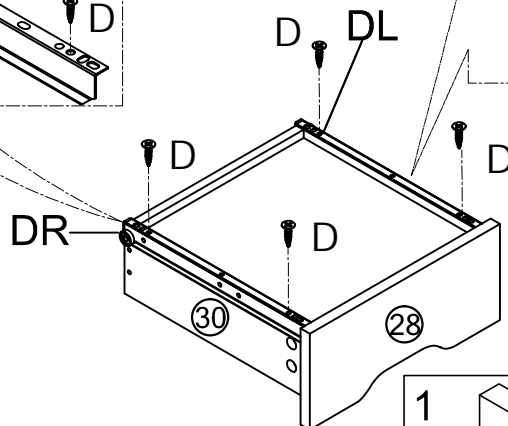
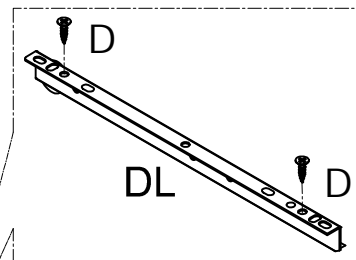
Step 14



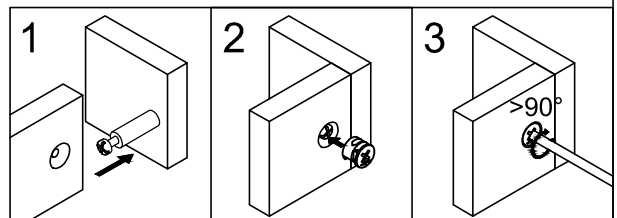
Part(#DR) needs to be placed on the edge of panel (#30), and then screwed in.



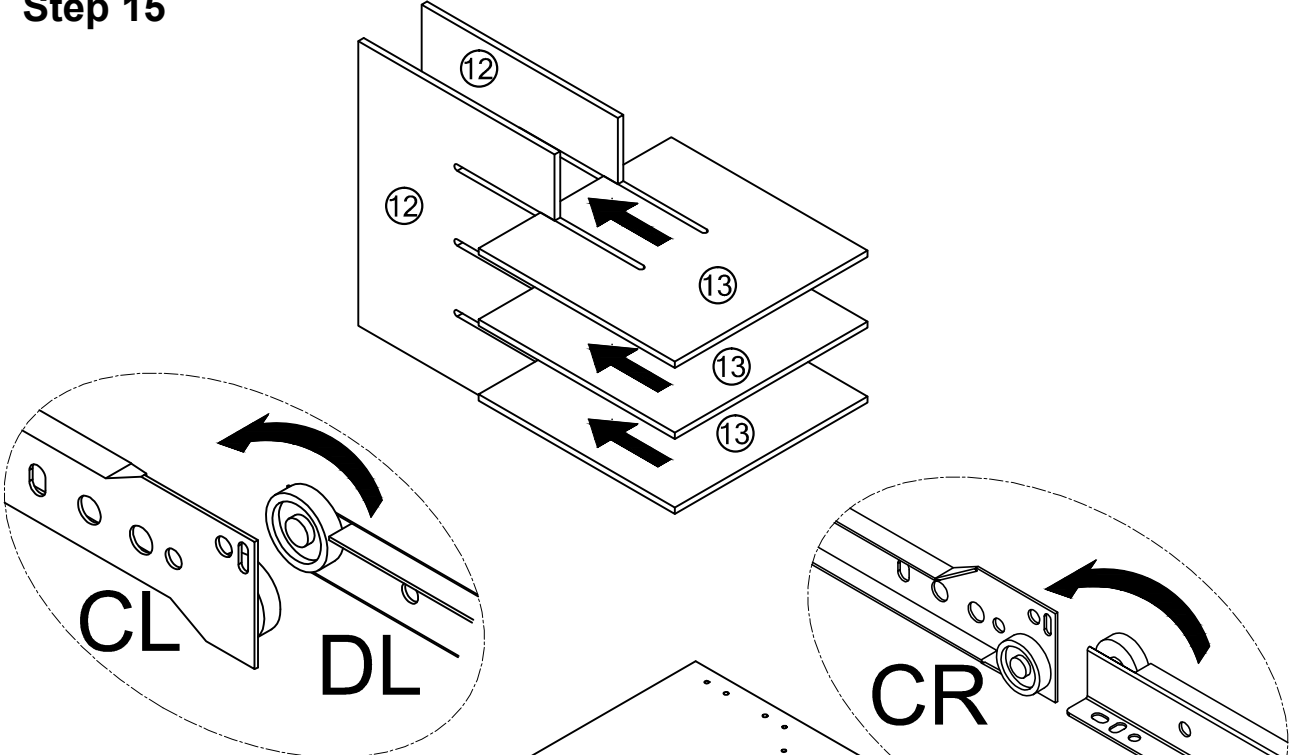
Part(#DL) needs to be placed on the edge of panel (#29), and then screwed in.



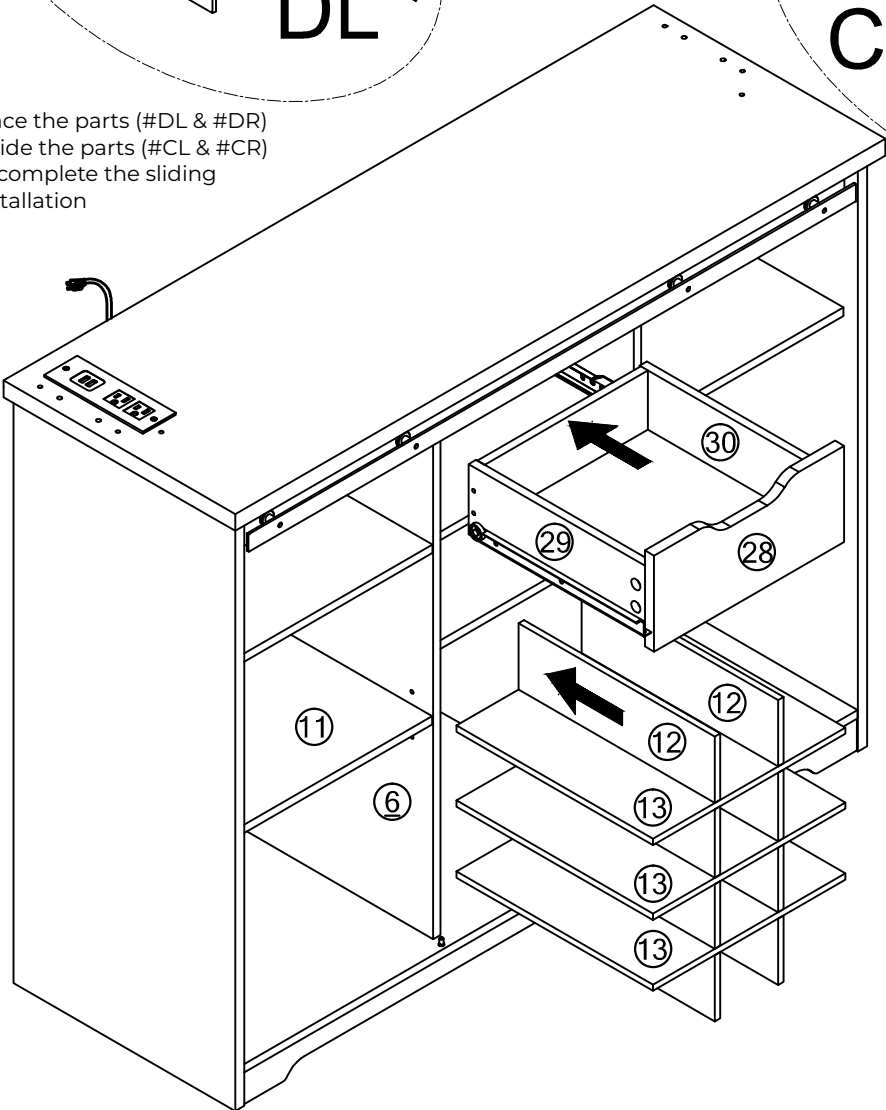
	A x 4PCS
	B x 4PCS
	O x 4PCS
	D x 4PCS
	E x 4PCS
	DL x 1PC
	DR x 1PC



Step 15

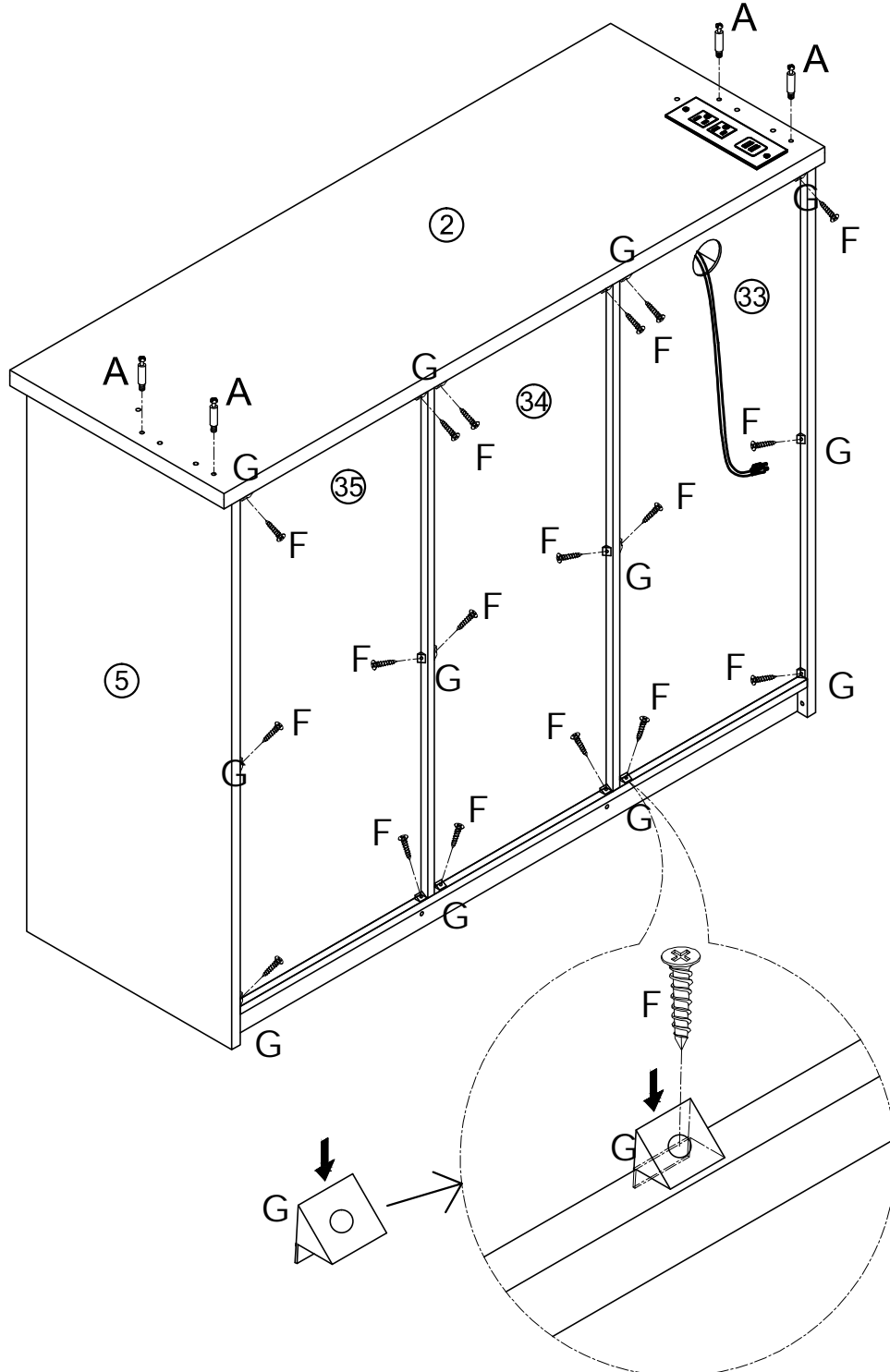


Place the parts (#DL & #DR)
inside the parts (#CL & #CR)
to complete the sliding
installation

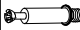
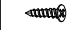



Step 16

!!!!After installing the back panel, check whether the cabinet is shaking or tilting!!!!
 If so, check whether all parts are tightened.
 Otherwise, it will affect the normal use of the barn door.

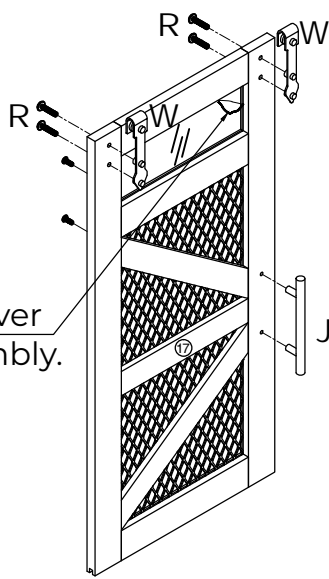


It is recommended to use an electric drill to assist installation

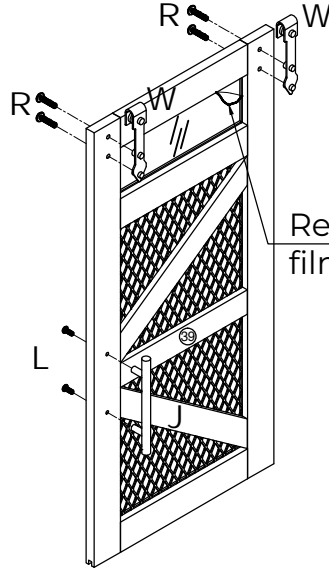
	A x 4PCS
	F x 18PCS
	G x 18PCS

Step 17

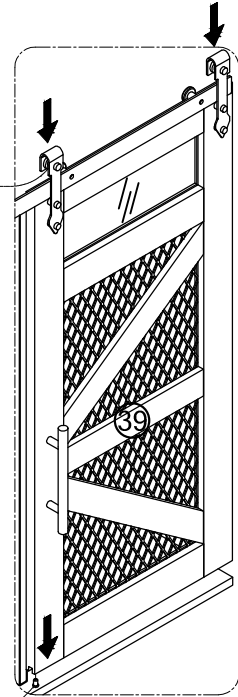
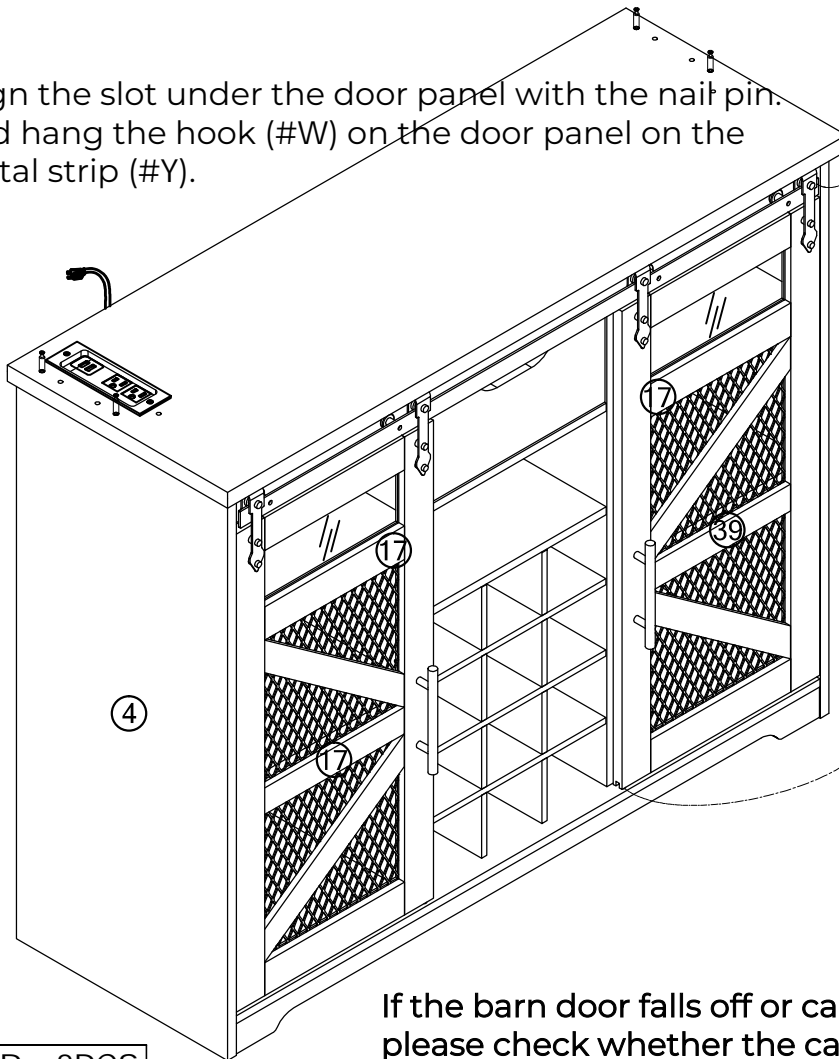
Remove the cover film after assembly.



Remove the cover film after assembly.


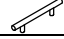

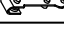


Align the slot under the door panel with the nail pin. And hang the hook (#W) on the door panel on the metal strip (#Y).

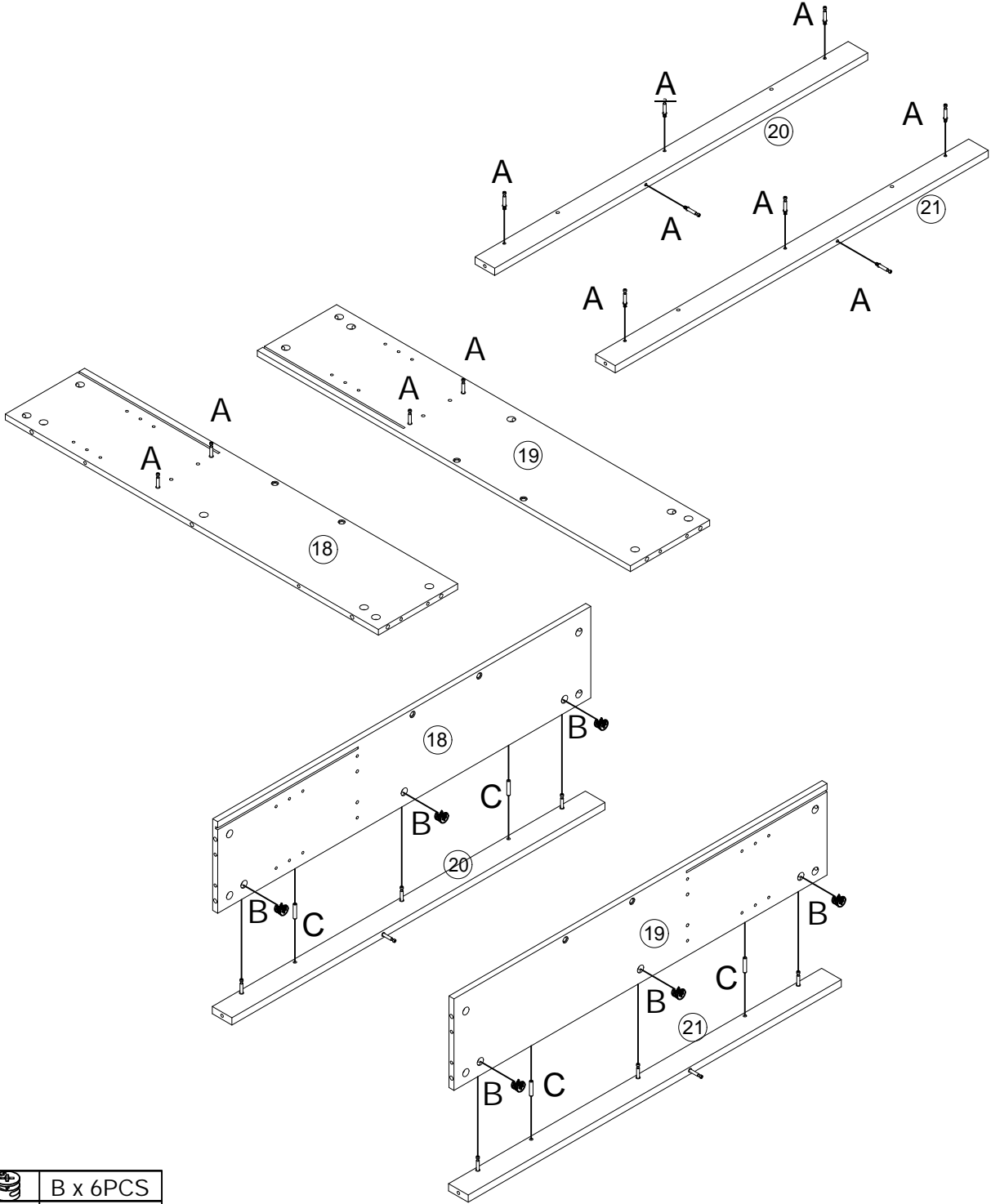



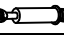

If the barn door falls off or cannot be used normally, please check whether the cabinet is tilted or the barn door roller is not locked on the metal bar.

If you cannot solve it, please contact us for help.

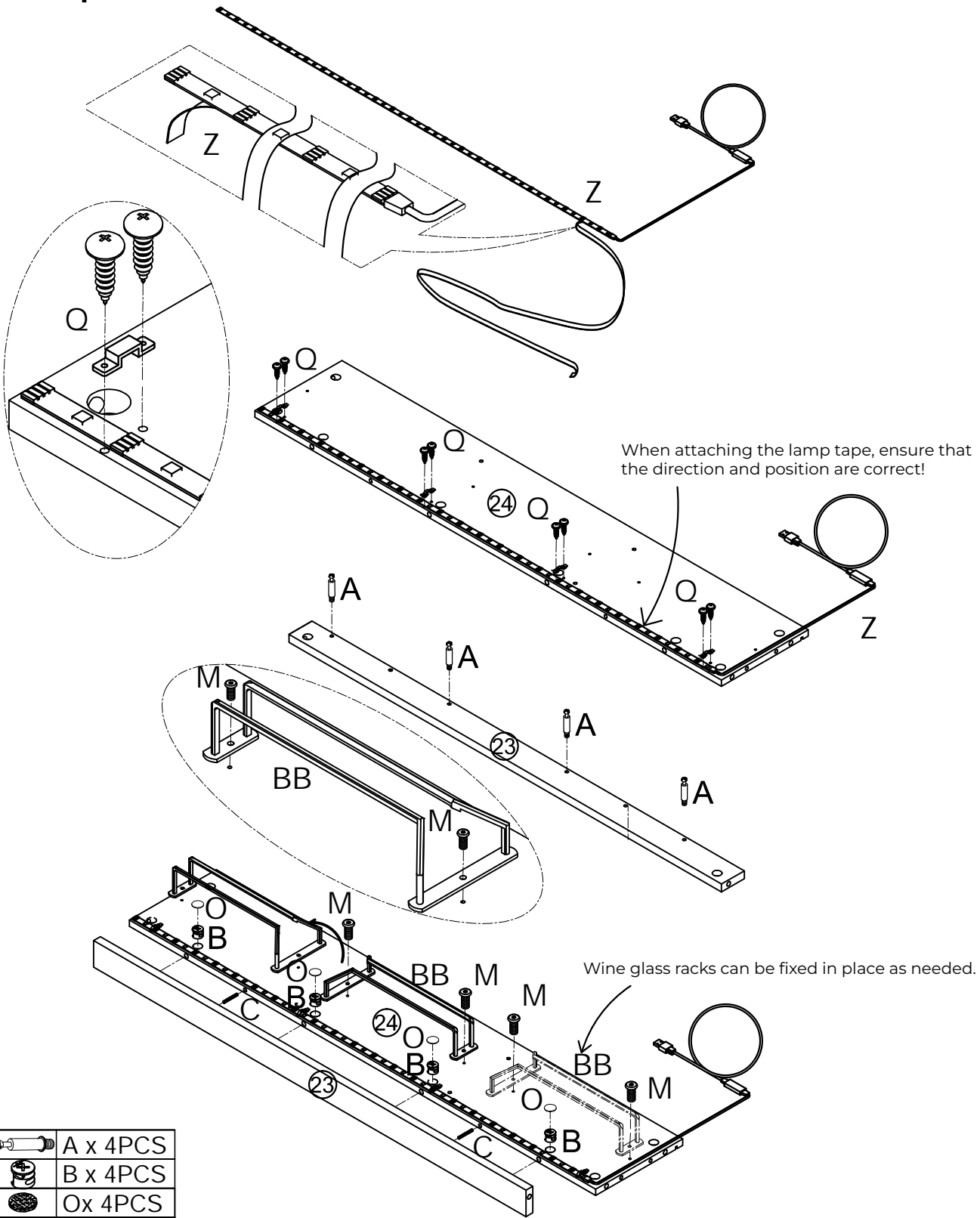
	R x 8PCS
	J x 2PCS
	L x 4PCS
	Wx 4PCS

Step 18

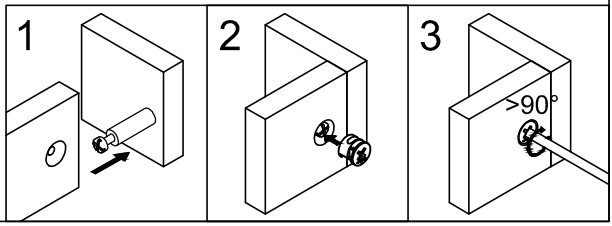


	B x 6PCS
	A x 12PCS
	C x 4PCS

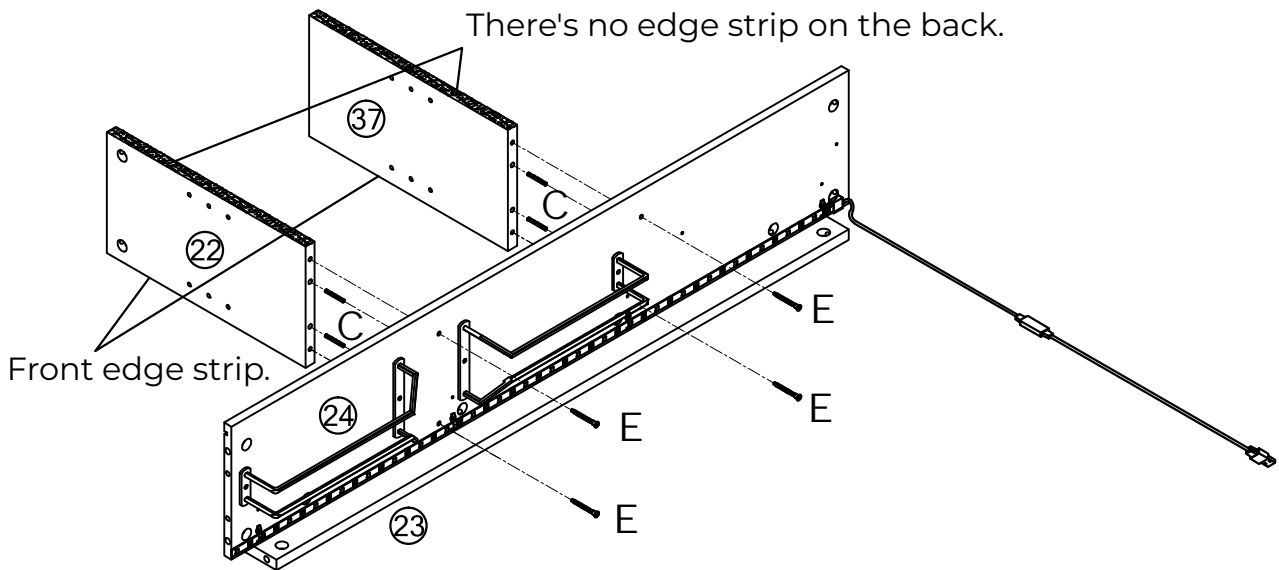
Step 19





	A x 4PCS
	B x 4PCS
	Ox 4PCS
	C x 2PCS
	Qx 4PCS
	Mx 4PCS
	Z x 1PC
	BBx2PCS



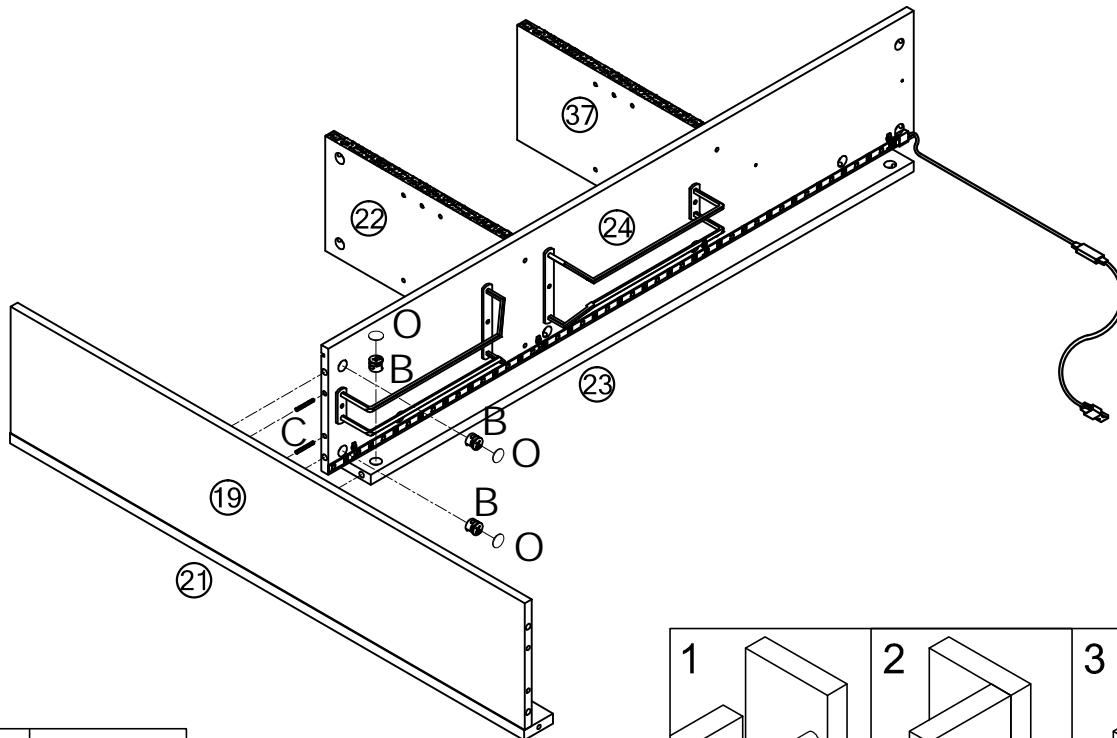
Step 20





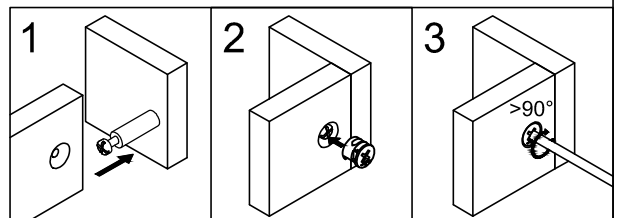
If the Led Light do not work, please contact us for replacement parts.

	C x 4PCS
	E x 4PCS

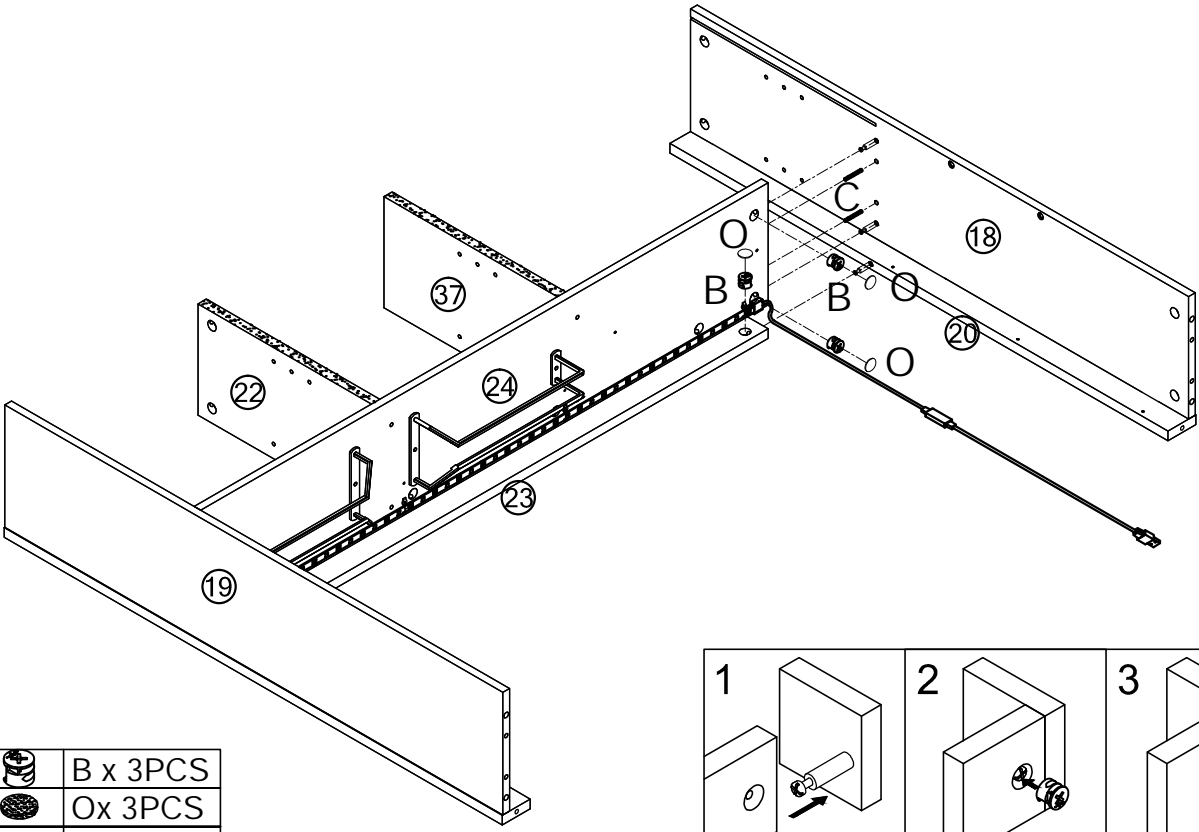
Step 21



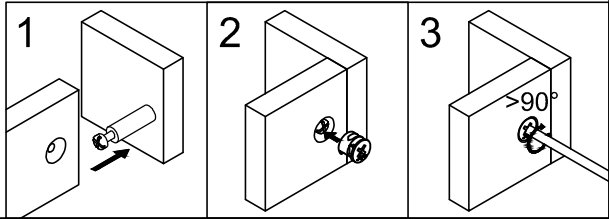
	B x 3PCS
	O x 3PCS
	C x 2PCS



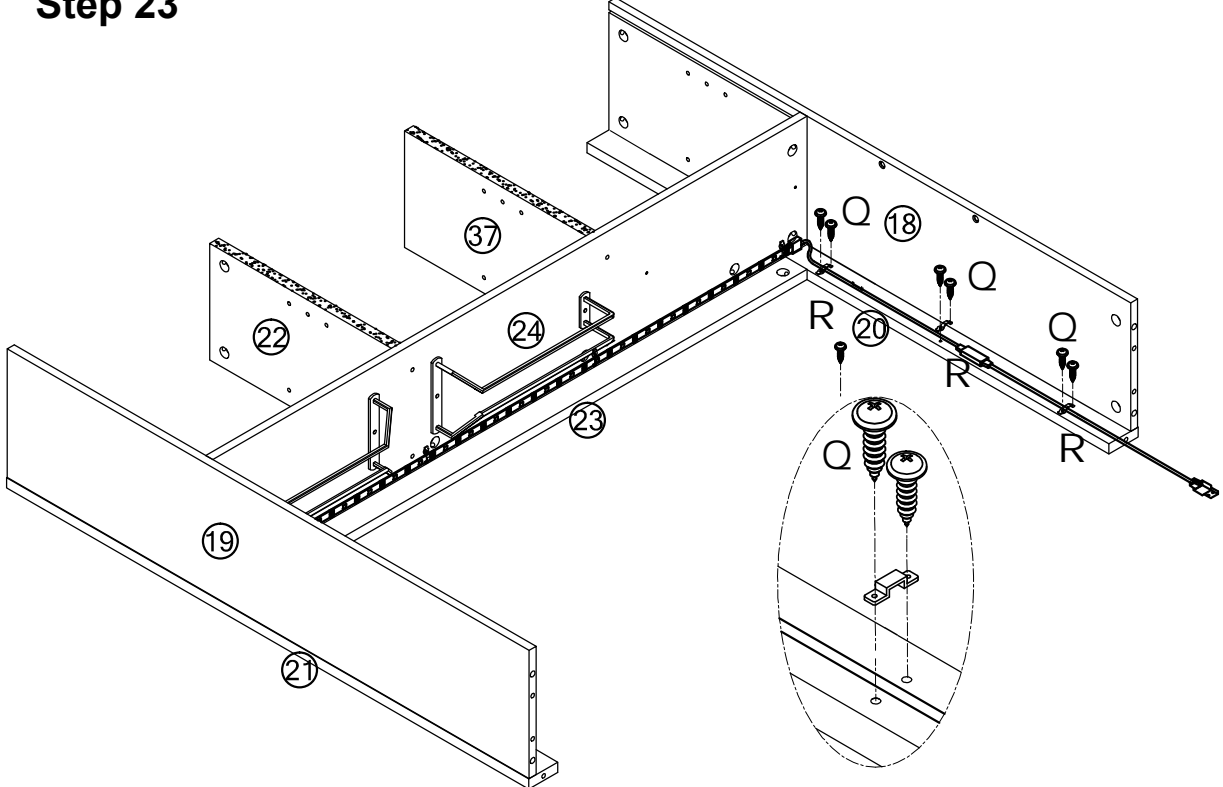
Step 22



	B x 3PCS
	O x 3PCS
	C x 2PCS

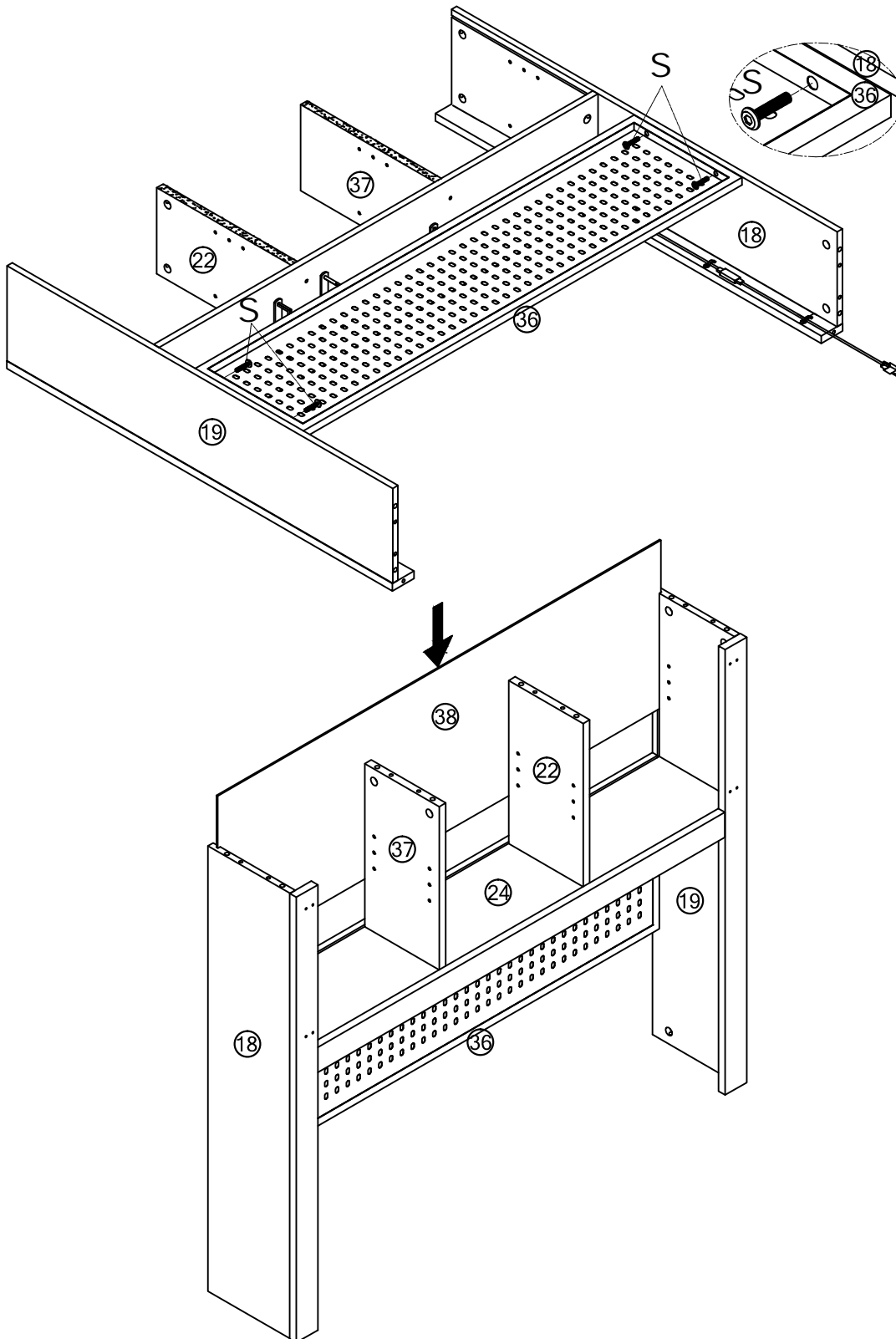



Step 23



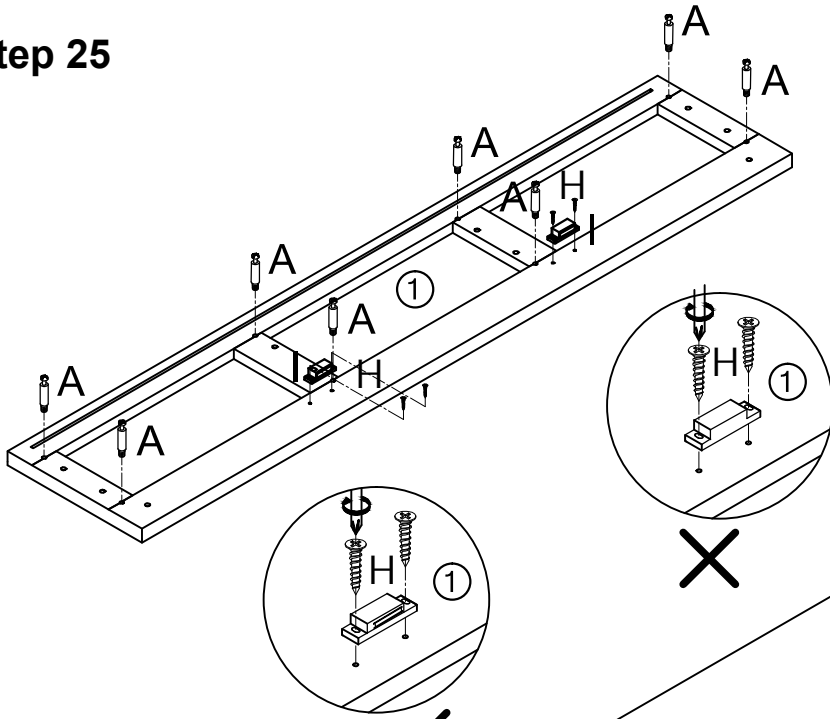
	Q x 3PCS
--	----------

Step 24

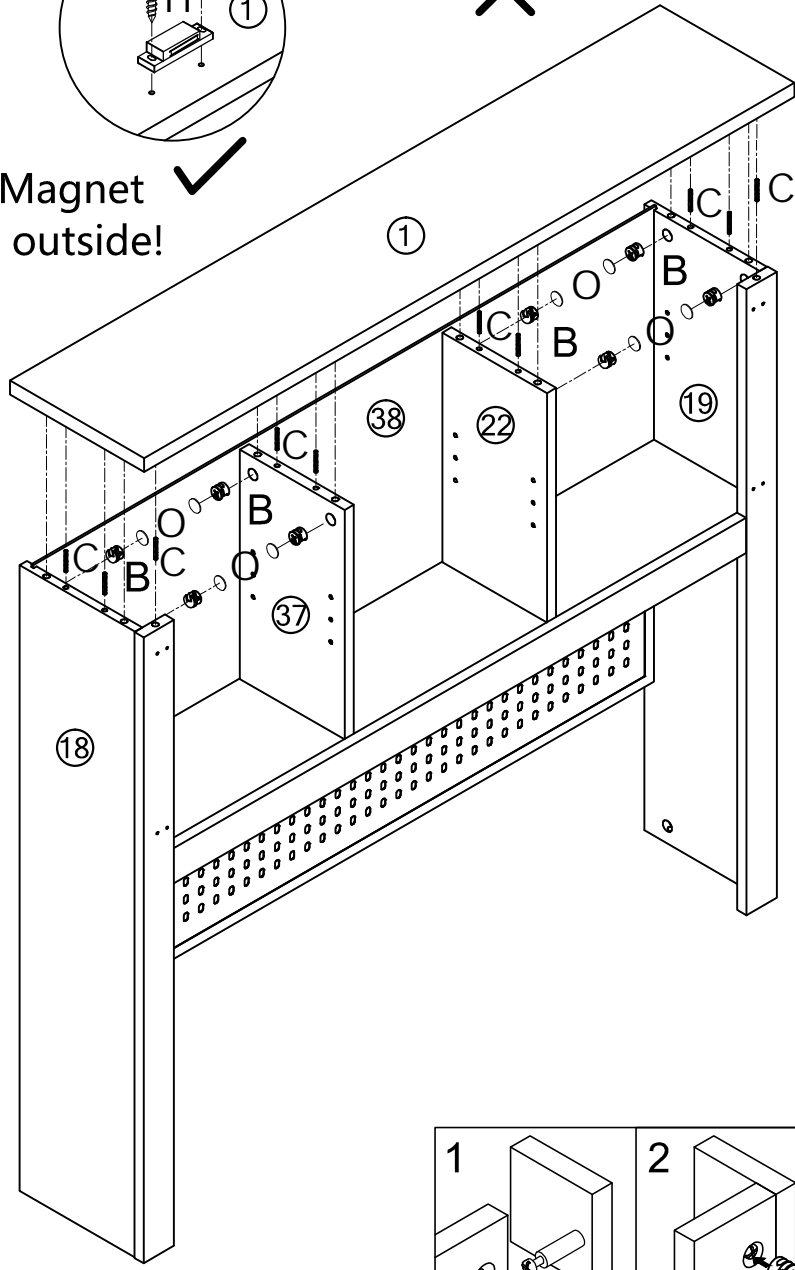


 S x 4PCS

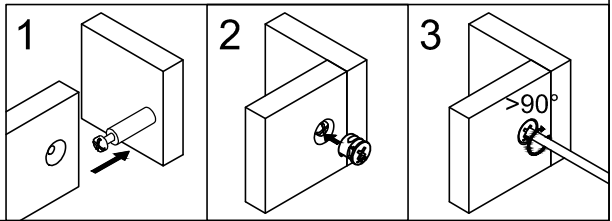
Step 25



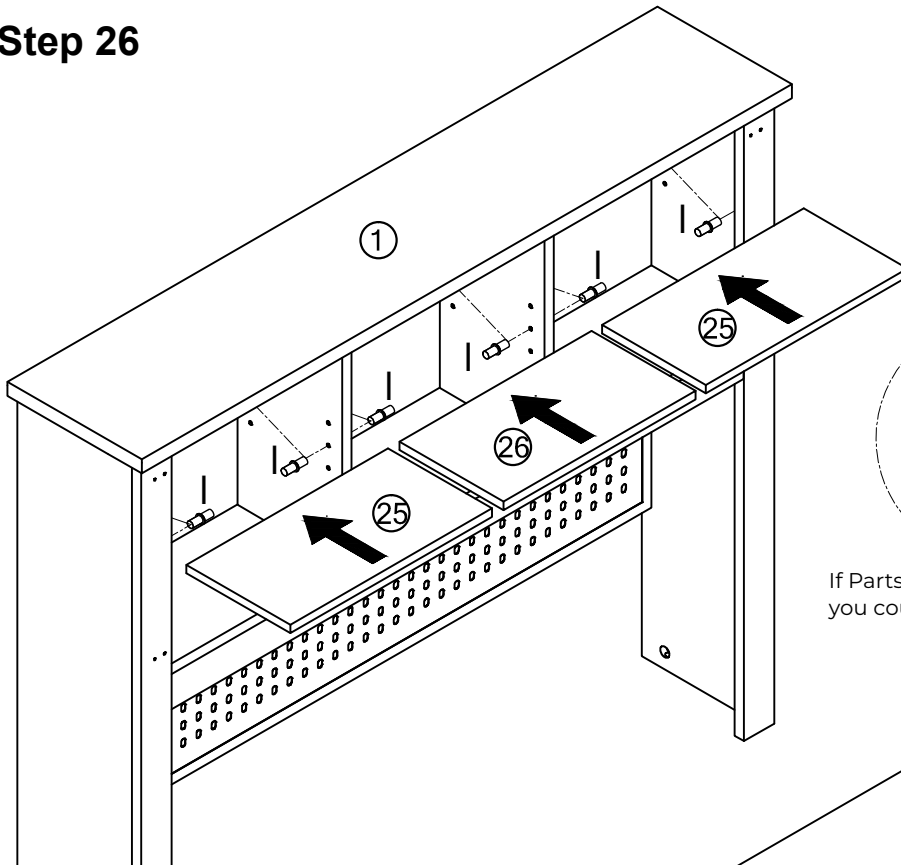
Note: Magnet facing outside!



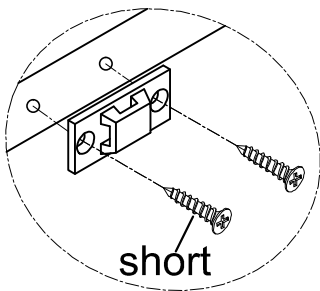
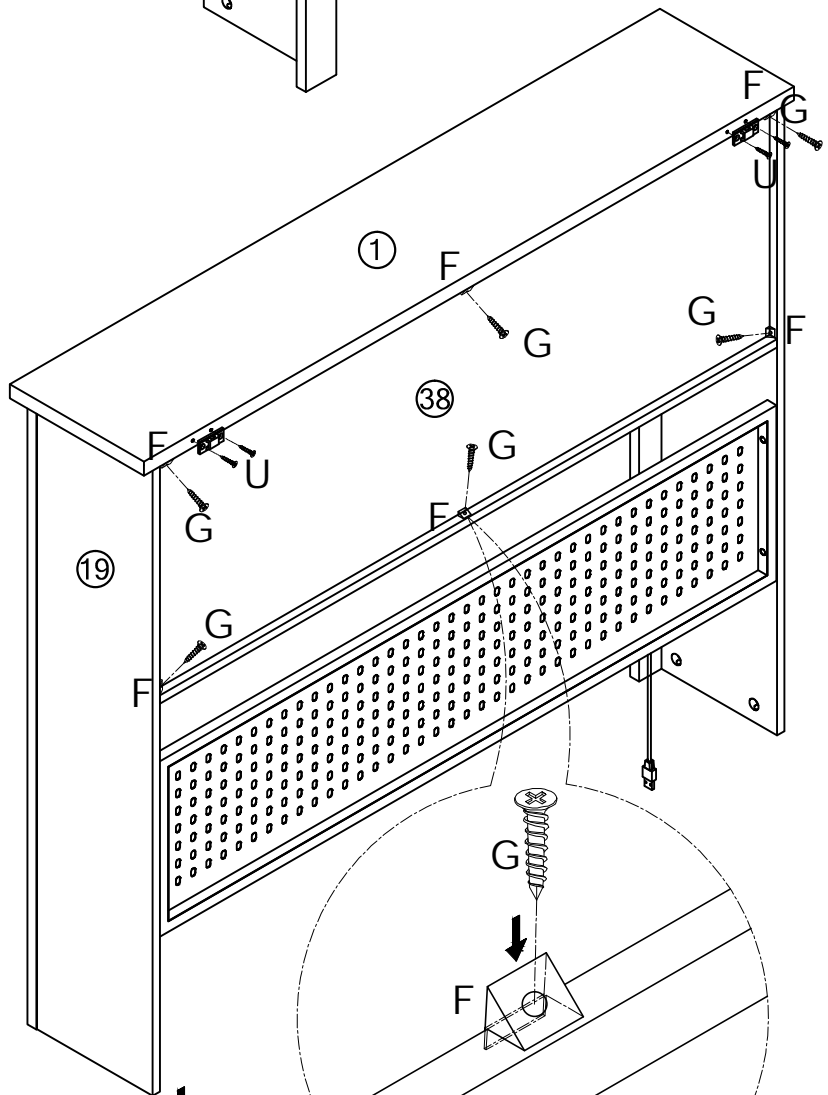
	A x 8PCS
	B x 8PCS
	O x 8PCS
	C x 10PCS
	H x 2PCS



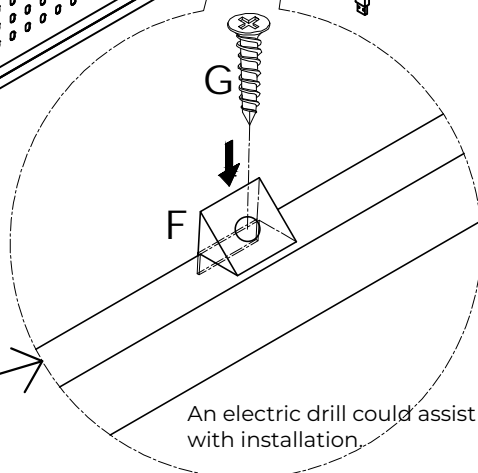
Step 26







If Parts(#I) cannot be pressed in, you could use a tool to tap it.



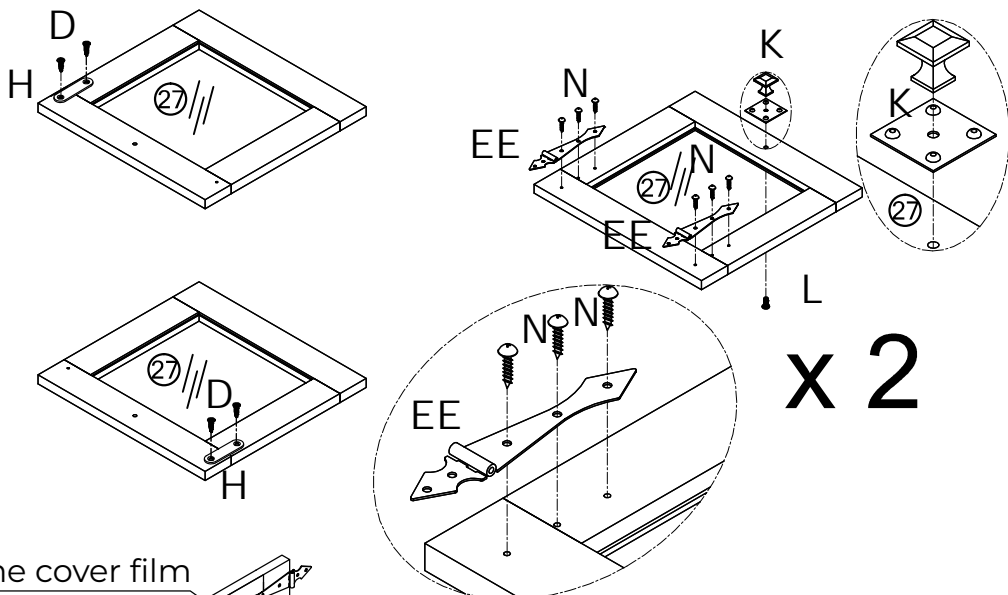
Please use short screws (#U)



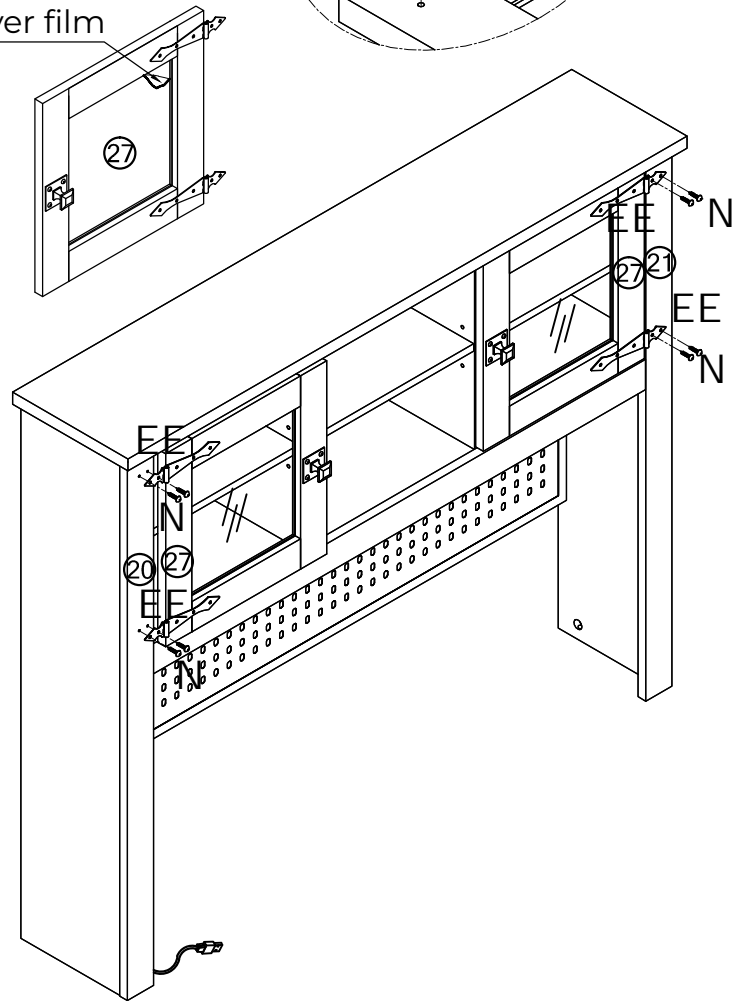
An electric drill could assist with installation.

	F x 6PCS
	G x6PCS
	I x12PCS
	Ux2SETS

Step 27

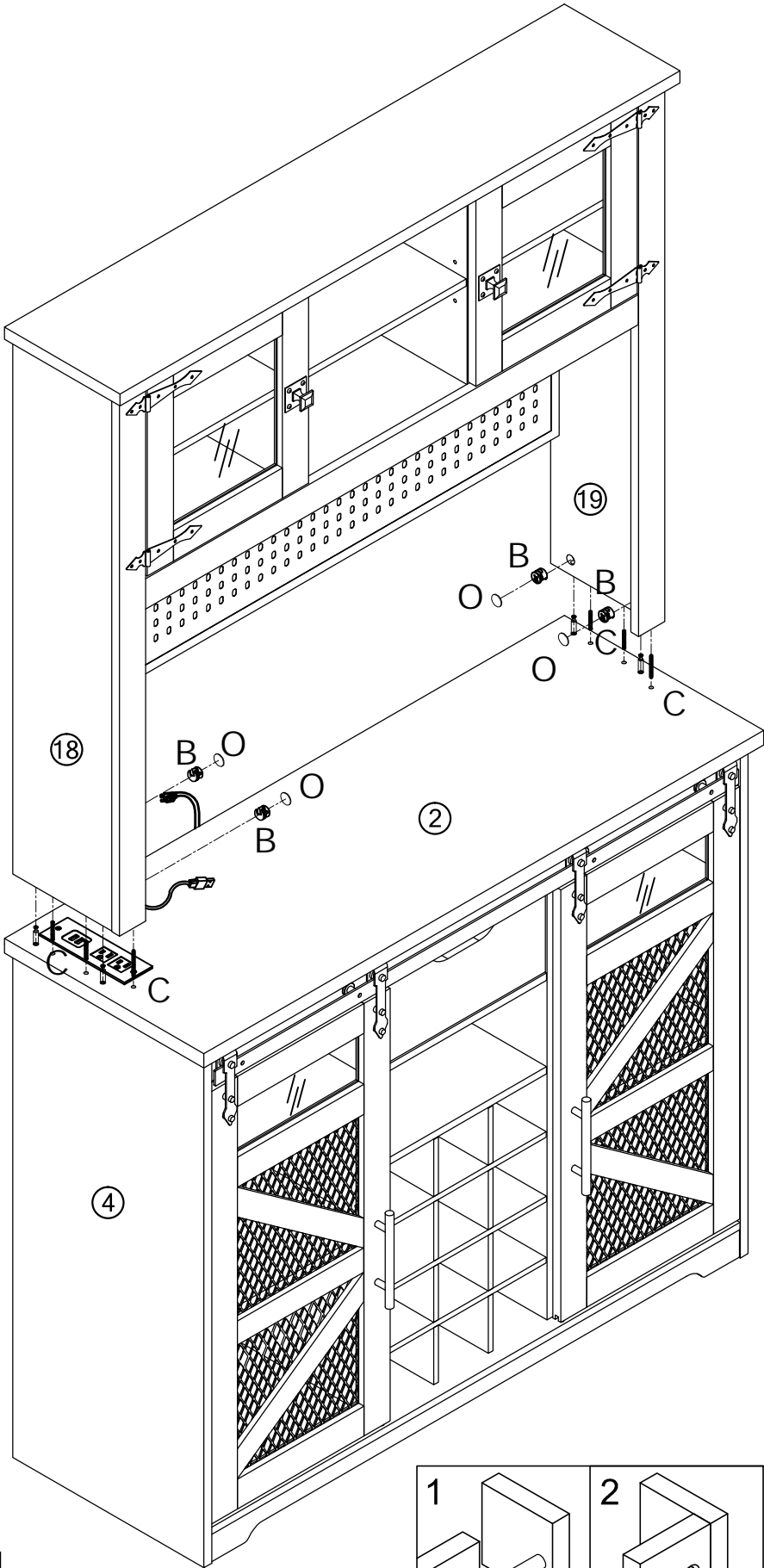





Remove the cover film after assembly.

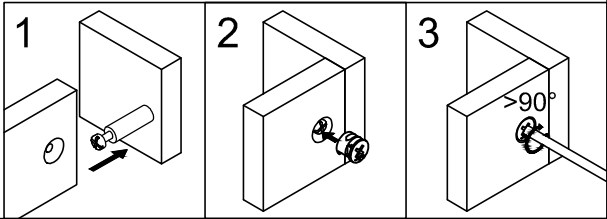


	D x 4PCS
	K x 2PCS
	L x 2PCS
	H x 2PCS
	EEx4PCS
	N x20PCS

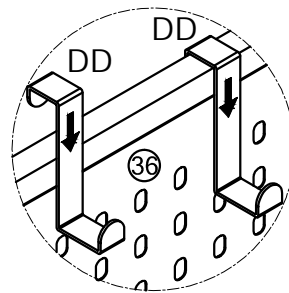
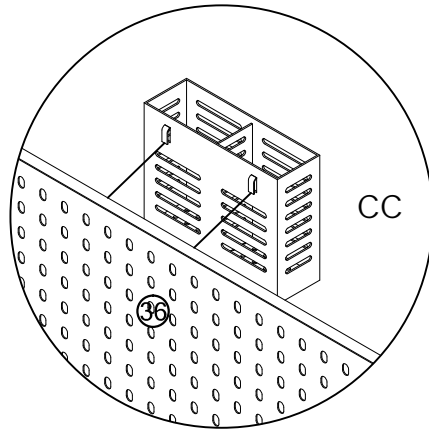
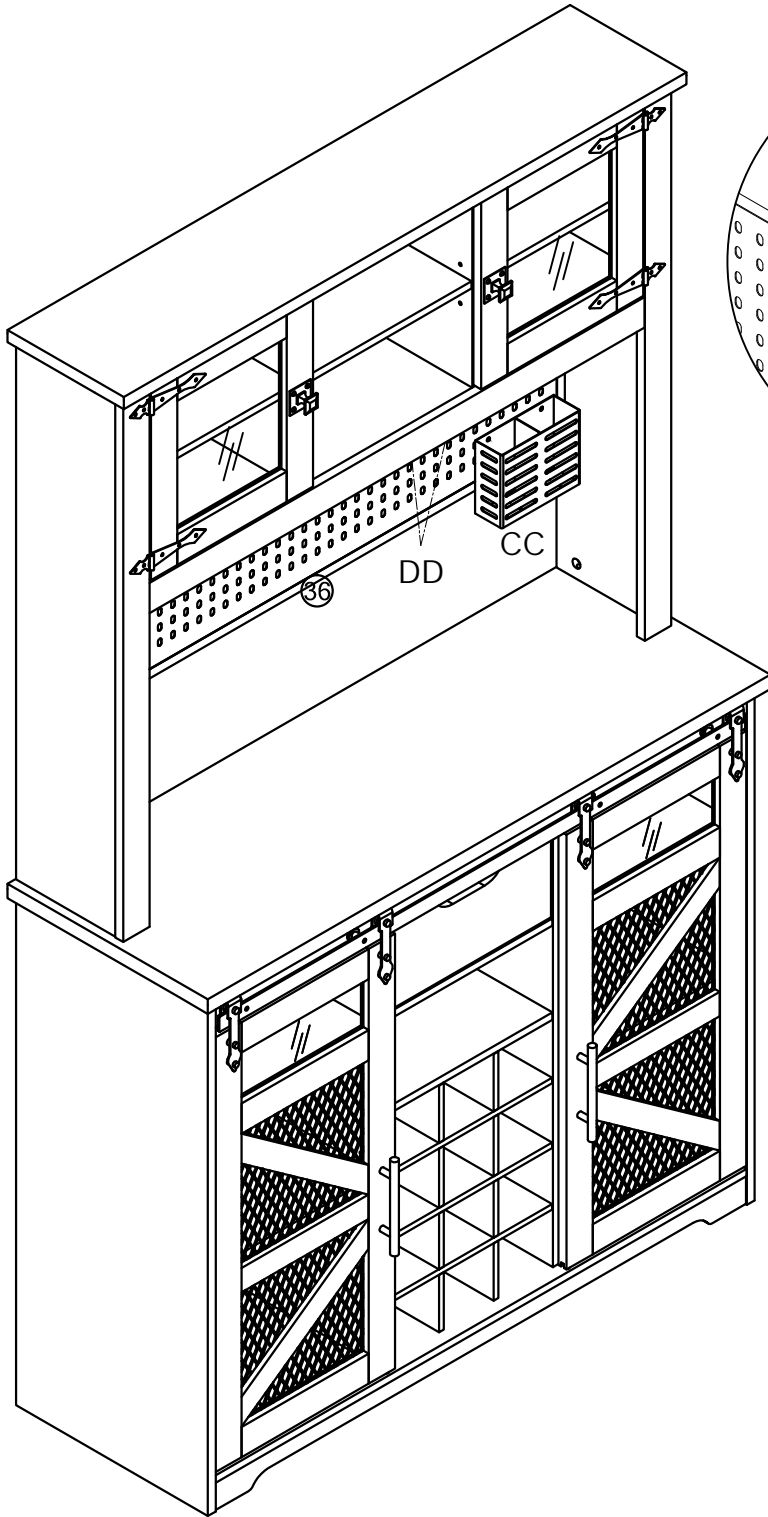
Step 28





	B x 4PCS
	O x 4PCS
	C x 6PCS

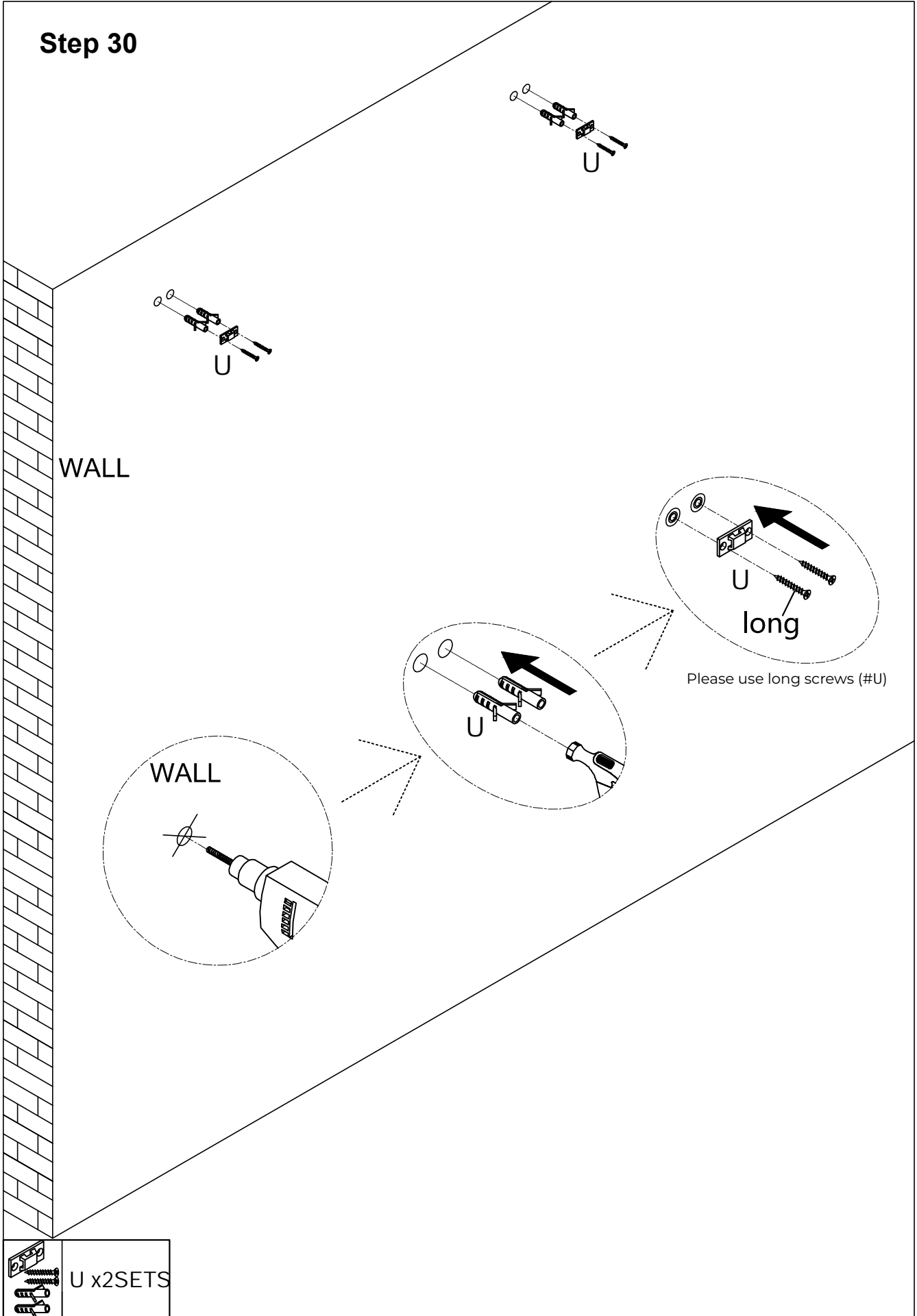


Step 29



	CCx1PC
	DDx2PCS

Step 30

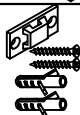


WALL

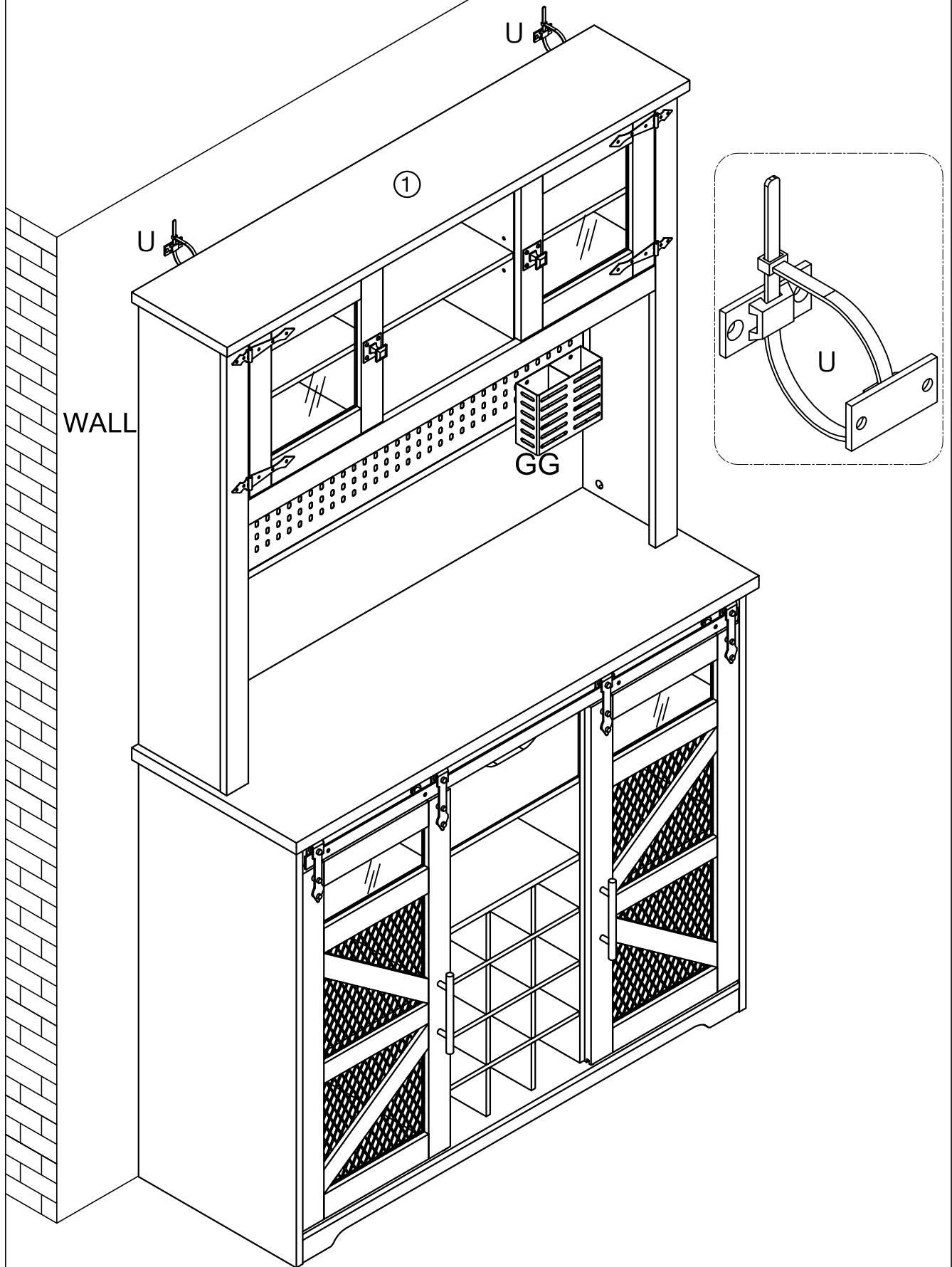
WALL

U
long

Please use long screws (#U)

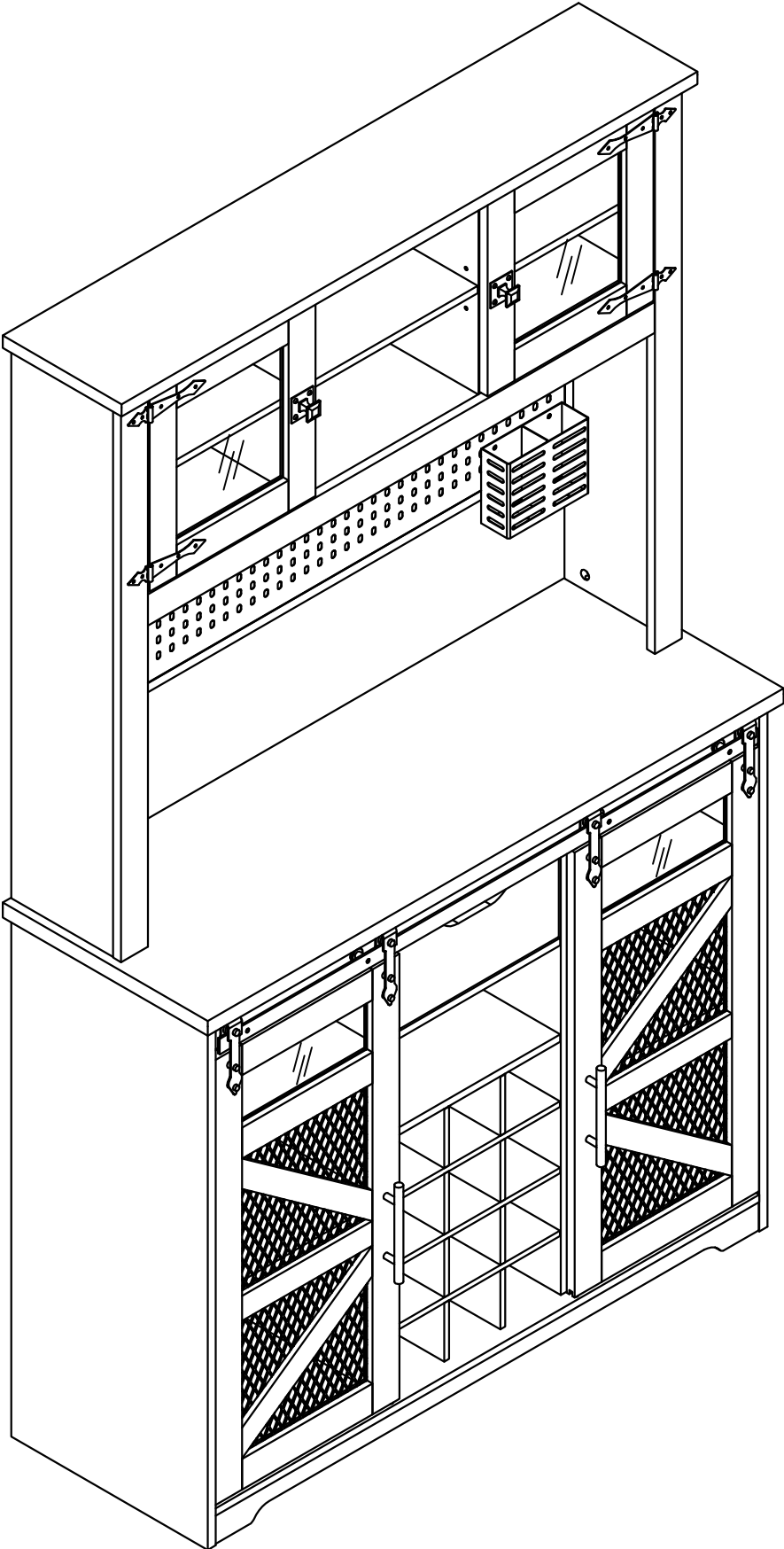
	U x2SETS
---	----------

Step 31



U x 2PCS

Step 32



Finish

WARRANTY

Thank you for purchasing our Brand Product. We promise to repair or replace any product or component that may have defects in material or workmanship for as long as you, the original purchaser, own it.

There are no other warranties except as expressly set forth below, either expressed or implied, including any warranty of merchant ability for any particular purpose.

The word "defects" in this warranty is defined as imperfections that impair the service, function, or effectiveness of the product.

Warranty Limitations:

This warranty is exclusive and covers only defects as defined by impairments to the product's service, function, or effectiveness.

Natural variations in wood or other materials are not considered defects.

Color fastness or matching of colors, grains, textures, or other materials is not warranted, nor are customer-selected materials.

Exclusions:

This warranty does not cover:

Damage caused by carriers.

Modifications or attachments not approved by supplier.

Non-standard user-selected materials.

Improper installation, use, or maintenance.

We are not liable for incidental or consequential damages, except where prohibited by law.

Legal Rights:

This warranty gives you specific legal rights, and you may have other rights which vary by jurisdiction. This warranty applies to products sold in the United States of America and the Commonwealth of Canada.

For warranty service, please contact our Customer Service.

WARRANTY

TO OBTAIN SERVICE FROM THIS WARRANTY:

A) Please contact us within 30 days (unless otherwise noted by the Dealer) of discovery of the defect. Prepare to confirm that you are the original purchaser of the product and provide necessary product information, such as the order number.

B) We will gather all the pertinent information required regarding your claim(s), inspect the product, and then contact our Customer Service Representative.

C) If we confirm that the product under review is eligible under the warranty conditions as stated above, the Customer Service Representative or another representative of the Company will determine whether to provide replacement parts or authorize other arrangements at the sole discretion of the vendor. No assembly/labor is included in this warranty.



TO CONTACT CUSTOMER SERVICE

Our knowledgeable Service Representatives are ready to assist you in the event this warranty applies to you. Please be prepared to explain the defect in detail, provide the model/style number, date and location of purchase, as well as your name.