

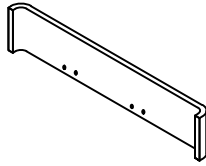
ASSEMBLY INSTRUCTION

EASTERN KING BED

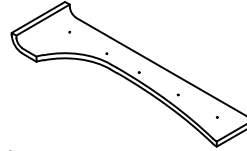
A Headboard **B** Footboard **C** Left Side Panel **D** Right Side Panel



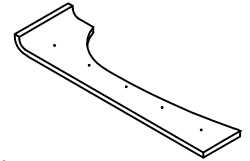
1pc



1pc



1pc



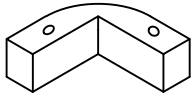
1pc

E Leg

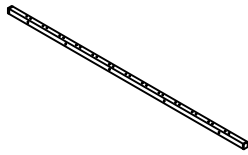
F Side Rail

G Headboard Rail

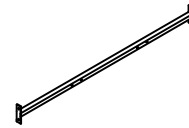
H Middle Rail



4pcs



2pcs



1pc



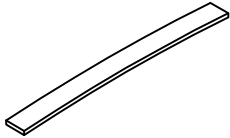
1pc

I Slat

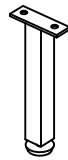
J Support Leg

K Hook Sheet

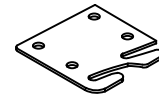
L Side Buckle



39pcs



6pcs



2pcs



26pcs

M Middle Buckle

N Iron Sheet

O Bolt
M8x50mm

P Bolt
M8x20mm



26pcs



2pcs



18pcs



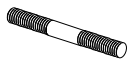
40pcs

Q Bolt
M8x65mm

R Hex Nut
M8x15mm

S Spanner

T Lock Washer
M8



4pcs



4pcs



1pc



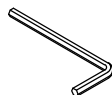
62pcs

U Flat Washer
M8x19x1.0mm

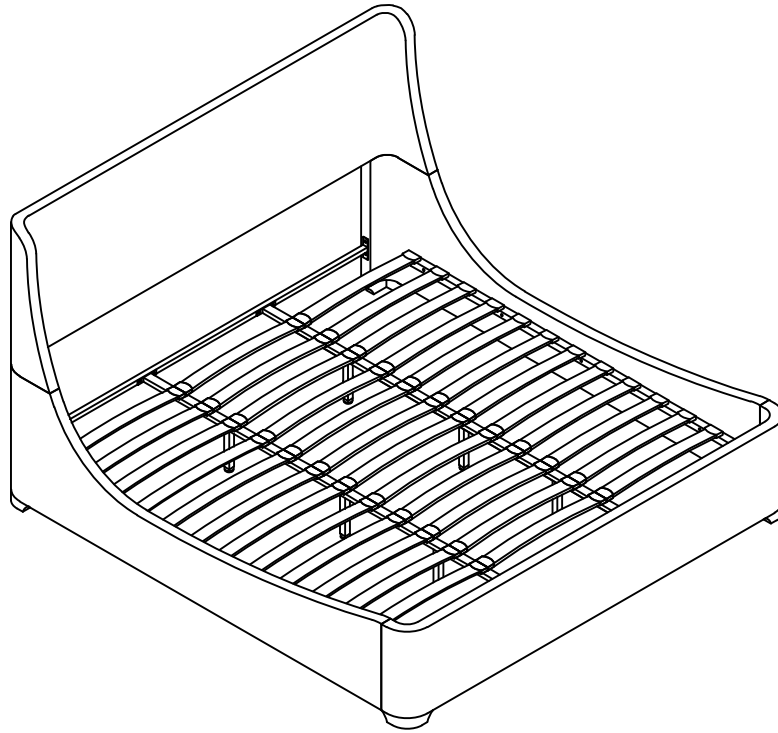
V Allen Key
M5



62pcs

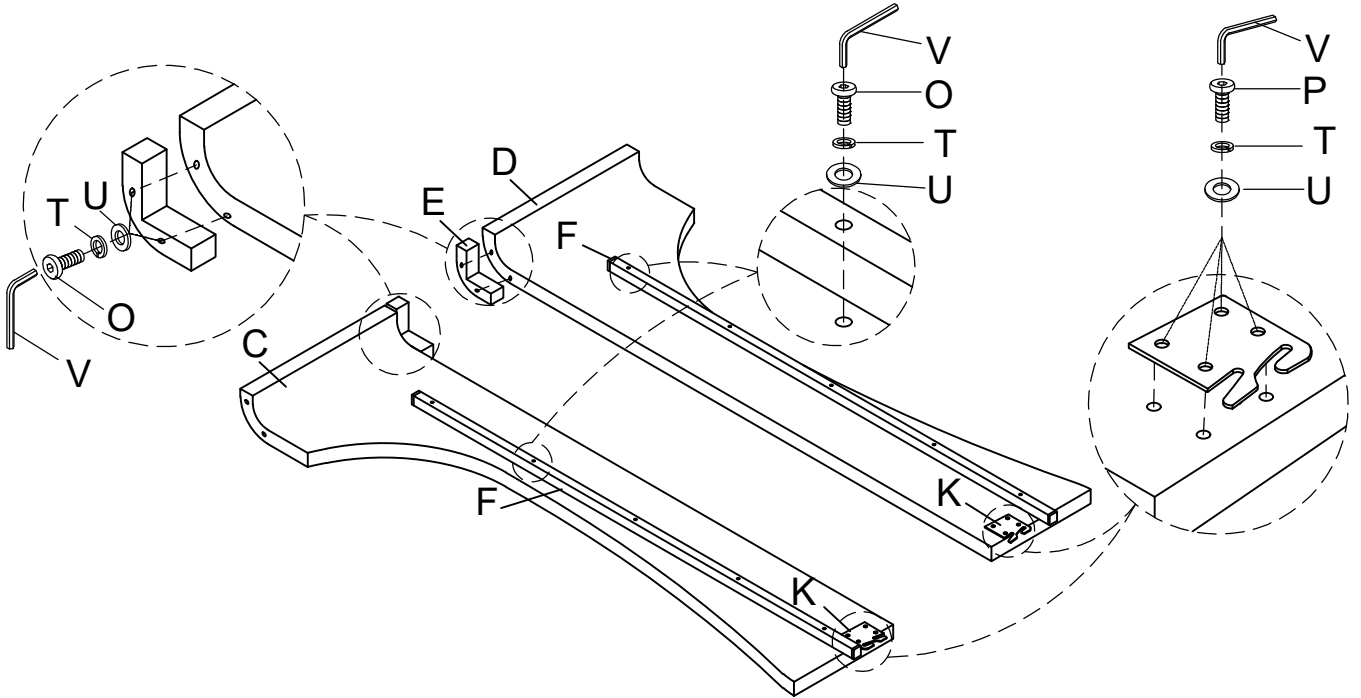


1pc

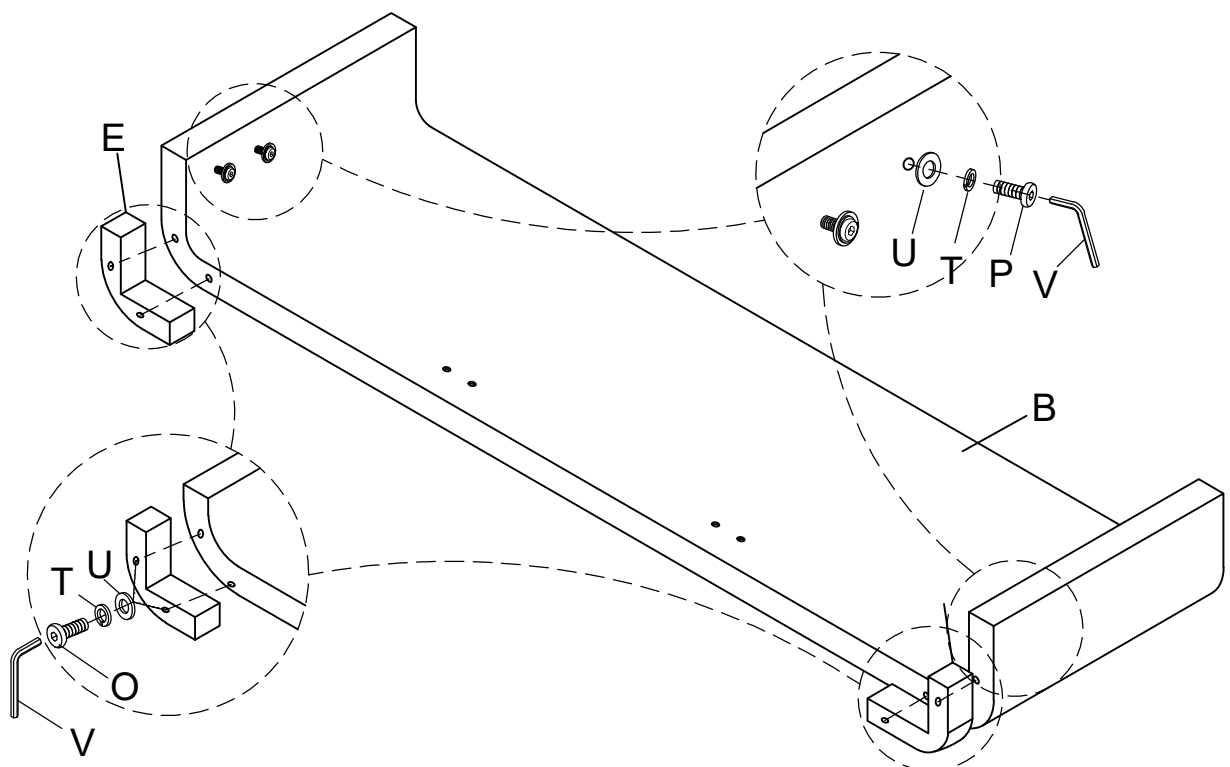


First page lists all the contents included in the box. Please take the time to identify the hardware as well as the individual components to this product. As you unpack and prepare for assembly, place the contents on a carpeted or padded area to protect them from damage.

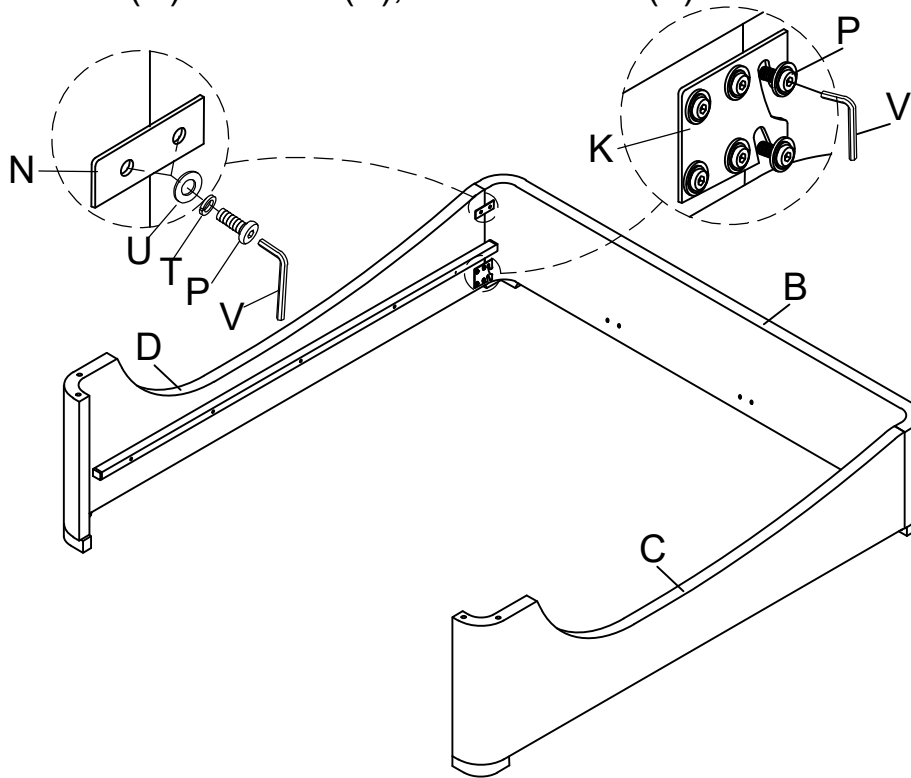
- 1** First, attach Side Rail (F) to Left Side Panel (C) & Right Side Panel (D) using Bolt (O), Lock Washer (T) and Flat Washer (U) by Allen Key (V).
 Second, attach Leg (E) to Left Side Panel (C) & Right Side Panel (D) using Bolt (O), Lock Washer (T) and Flat Washer (U) by Allen Key (V).
 Third, attach Hook Sheet (K) to Left Side Panel (C) & Right Side Panel (D) using Bolt (P), Lock Washer (T) and Flat Washer (U) by Allen Key (V).



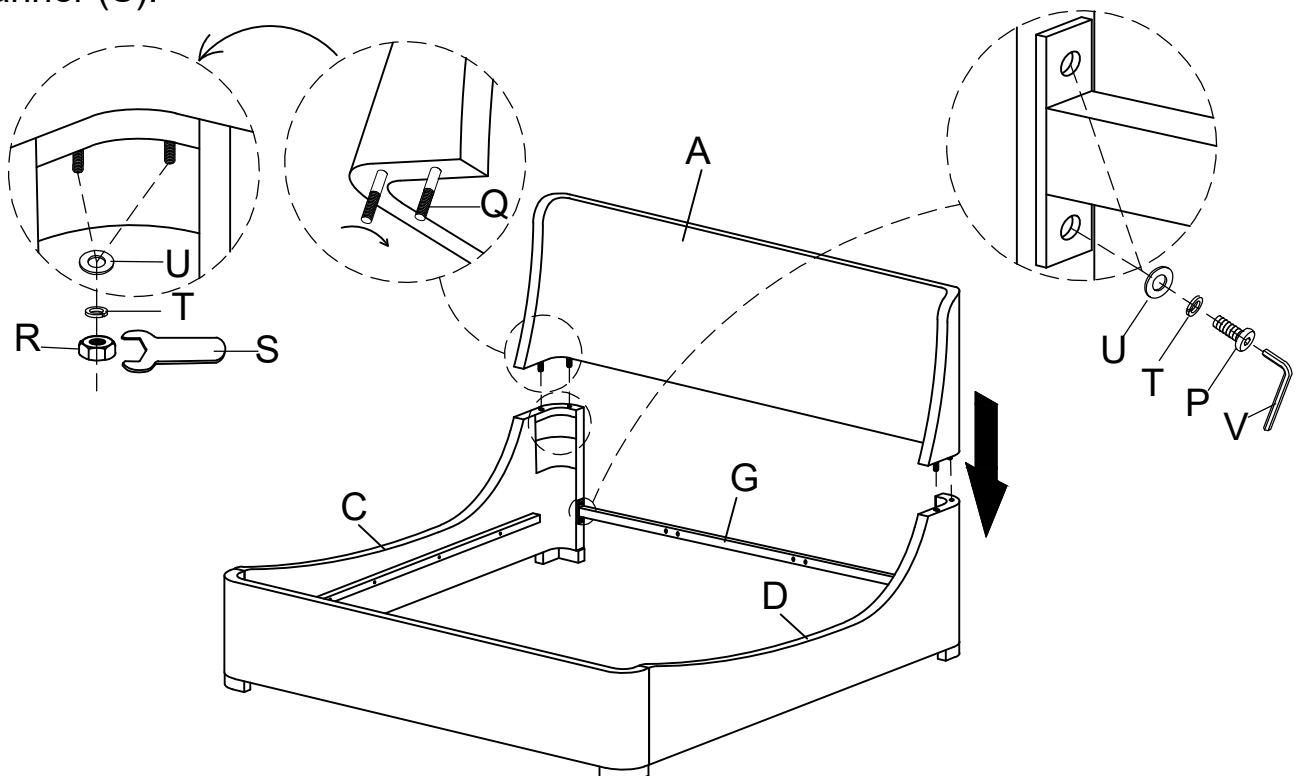
- 2** First, attach Leg (E) to Footboard (B) using Bolt (O), Lock Washer (T) and Flat Washer (U) by Allen Key (V).
 Second, assemble Bolt (P), Lock Washer (T) and Flat Washer (U) to Footboard (B) by Allen Key (V), DO NOT tighten fully, just in half way.



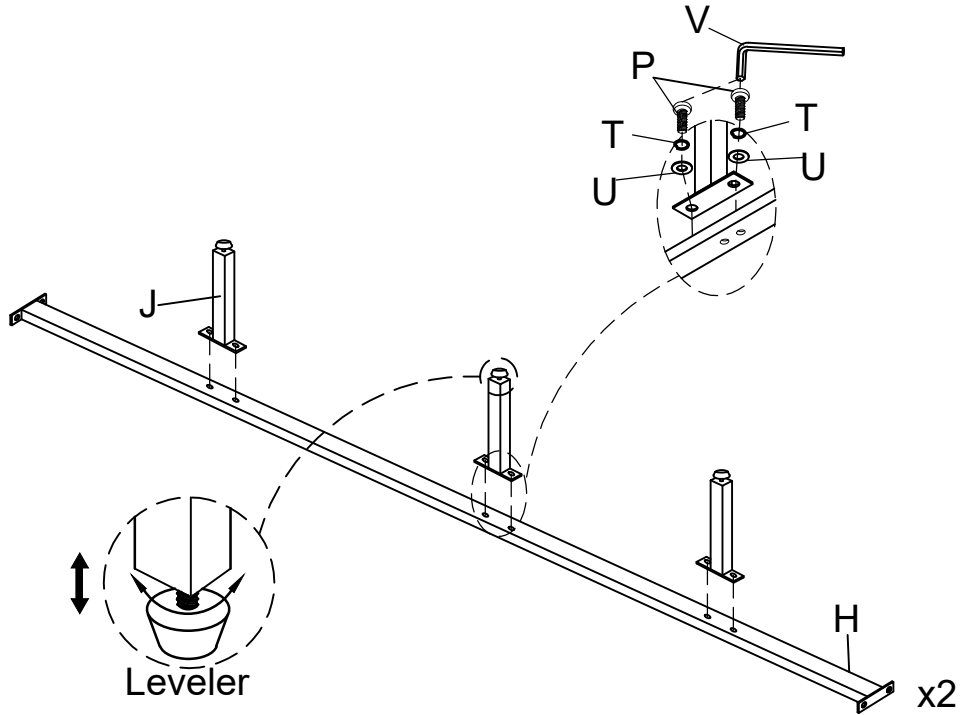
- 3** First, hook Hook Sheet (K) of Left Side Panel Panel (C) & Right Side Panel (D) to the Bolt (P) of Footboard (B), then tighten the Bolt (P) by Allen Key (V).
Second, connect Footboard (B) with Left Side Panel (C) & Right Side Panel (D), using Iron Sheet (N) and Bolt (P), Lock Washer (T) & Flat Washer (U) by Allen Key (V).



- 4** Attach Headboard Rail (G) to Left Side Panel (C) & Right Side Panel (D) using Bolt (P), Lock Washer (T) and Flat Washer (U) by Allen Key (V). Then, rotate Bolt (Q) to Headboard (A), put Headboard (A) to Left Side Panel (C) & Right Side Panel (D) through the Bolt (Q). Next, open the fabric of Left Side Panel (C) & Right Side Panel (D) to lock the Bolt (Q) with Hex Nut (R), Lock Washer (T) and Flat Washer (U) by Spanner (S).

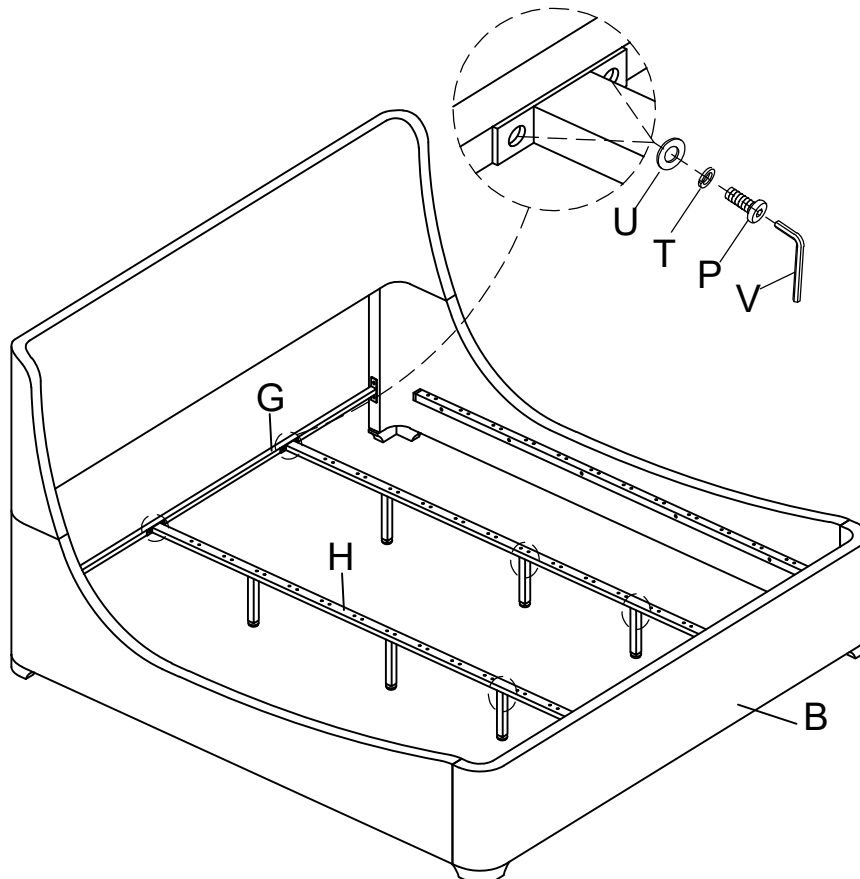


- 5** Attach Support Leg (J) to Middle Rail (H) using Bolt (P), Lock Washer (T) and Flat Washer (U) by Allen Key (V).

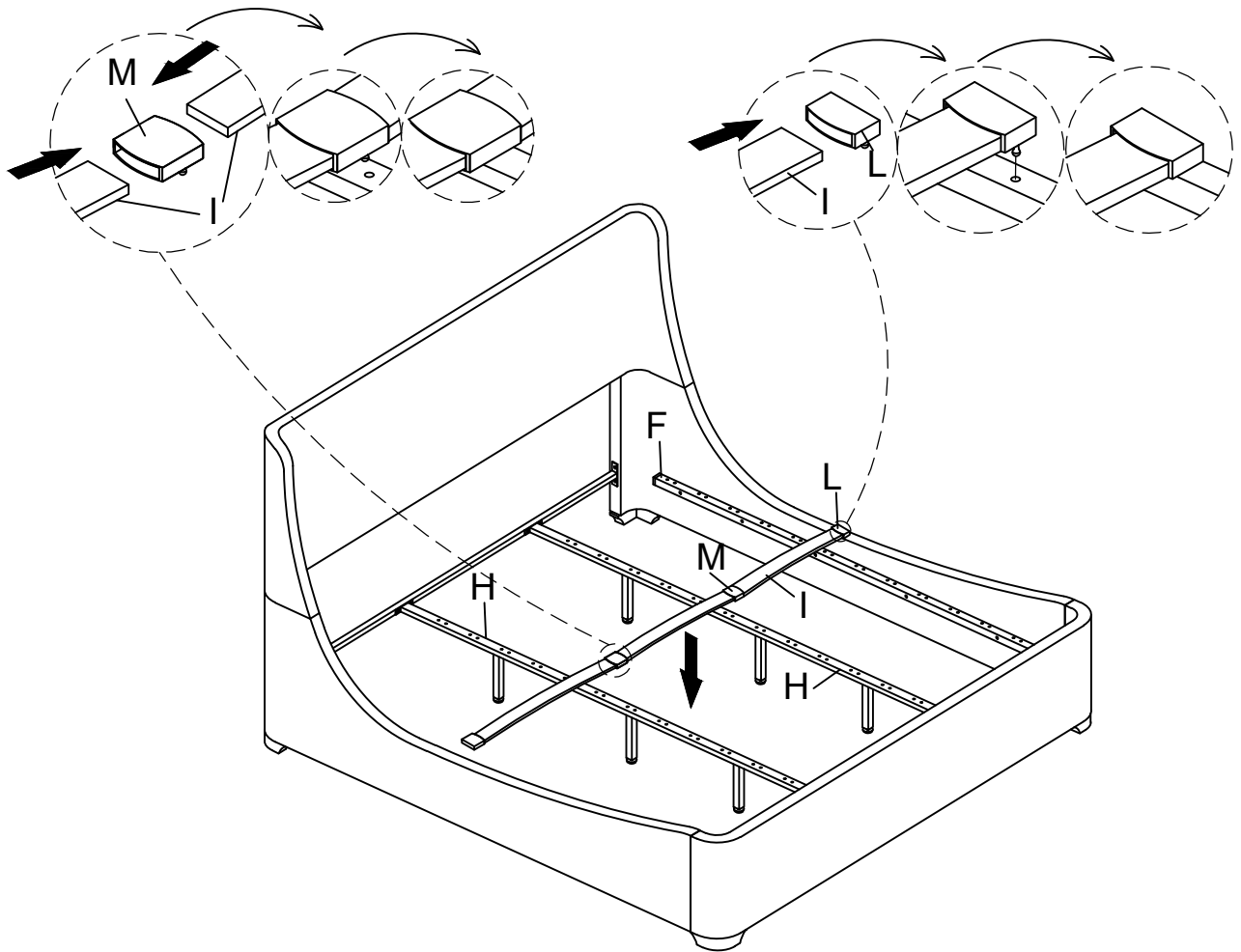


Turn left or turn right to adjust the leveler until the bed is stabilized.

- 6** Attach Middle Rail (H) to Headboard Rail (G) & Footboard (B) using Bolt (P), Lock Washer (T) and Flat Washer (U) by Allen Key (V).



- 5** First, connect 3pcs of Slat (I) together by 2pcs of Middle Buckle (M). Next, lock the assembled Slat (I) with Buckle (M) to Middle Rail (H). At last, insert two ends of Slat (I) to Buckle (L) and then push Side Buckle (L) into Side Rail (F) as below shown. Repeat the assemble steps to finish the rest slats assembling.



Cleaning & Care

Treat surface with care. Surface is resistant to scratches but is not scratch resistant. Clean surfaces with a dry or damp soft cloth. Do not use abrasive cleaners. Hardware may loosen over time. Periodically check that all connections are tight.