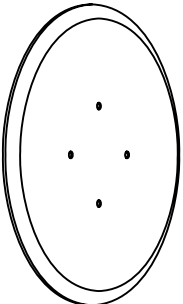
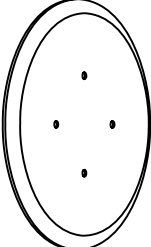
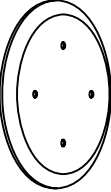
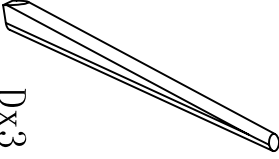
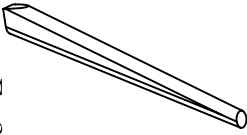


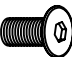

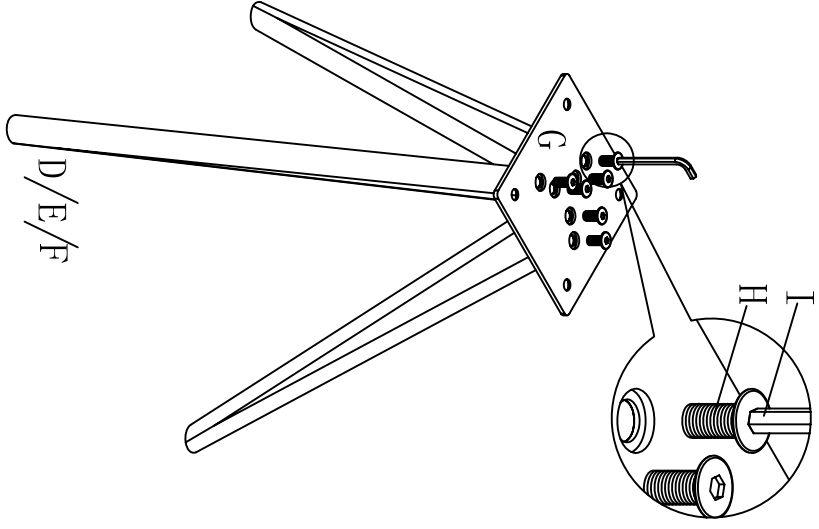
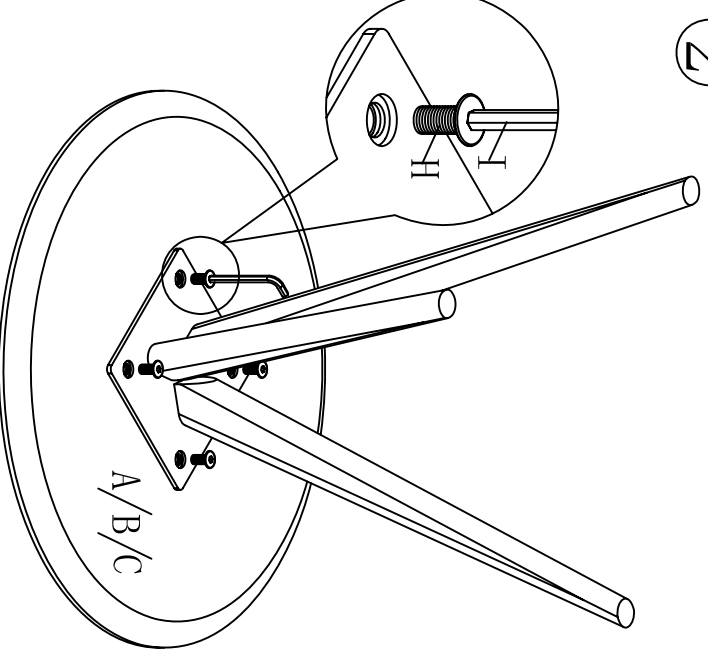
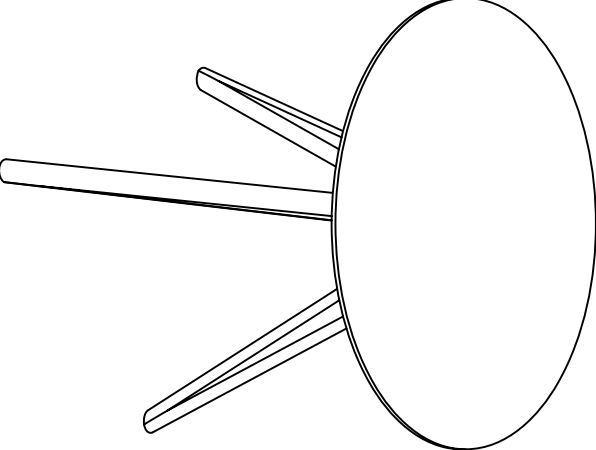


# ASSEMBLY PICTURE

 <p>Ax1</p>	 <p>Bx1</p>	 <p>Cx1</p>	 <p>Dx3</p>	 <p>Fx3</p>	 <p>Fx3</p>	 <p>Gx3</p>	 <p>M6 * 15mm Hx30</p>	 <p>Ix1</p>
<div style="display: flex; justify-content: space-between;"> <div data-bbox="116 163 1037 840" style="width: 30%;"> <p><b>1</b></p>  <p>D/E/F</p> </div> <div data-bbox="116 840 1037 1512" style="width: 30%;"> <p><b>2</b></p>  <p>A/B/C</p> </div> <div data-bbox="116 1512 1037 2040" style="width: 30%;"> <p><b>3</b></p>  <p>The rest 2 tables are same way to assembly</p> </div> </div>								