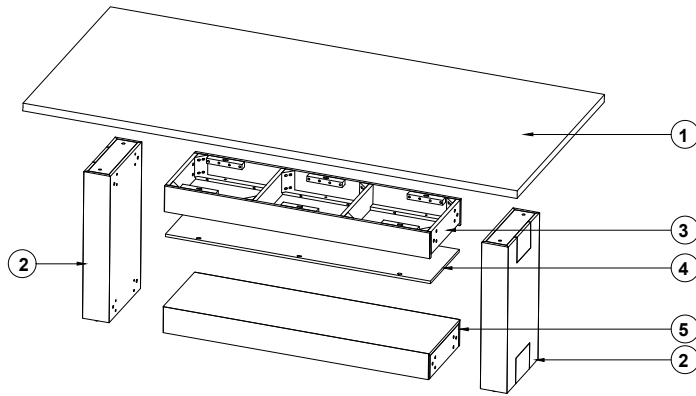
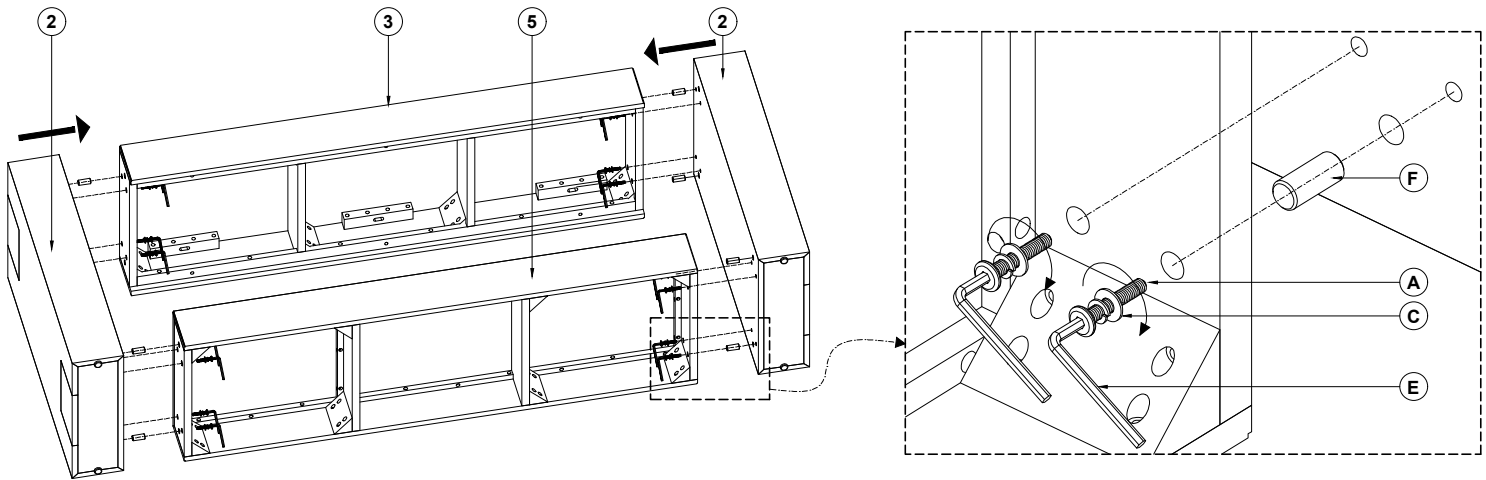


ASSEMBLY INSTRUCTION FOR MODEL: Dining Table

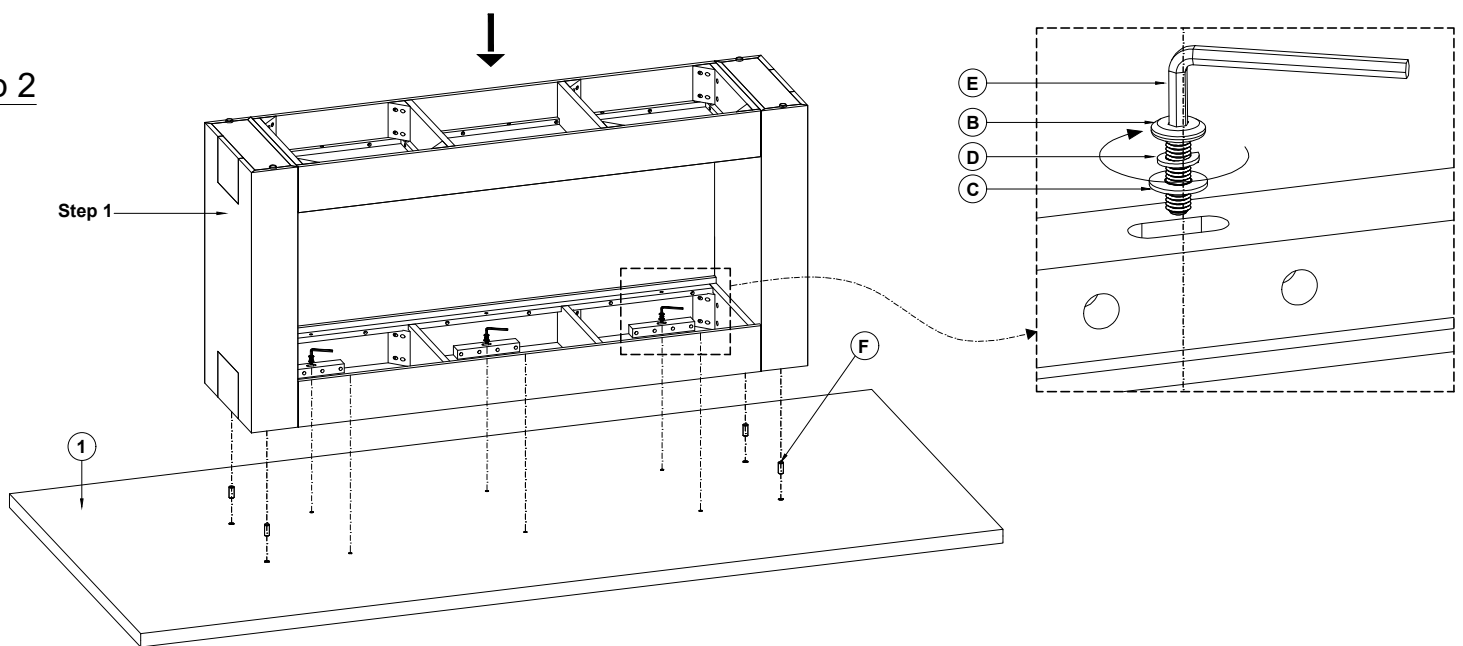


HARDWARE LIST				
A		Bolts	6mm x 35mm	22
B		Bolts	6mm x 45mm	6
C		Flat washer		28
D		Spring washer		28
E		Key K4		1
F		Wooden pegs	Ø12mm x 29mm	12

Step 1

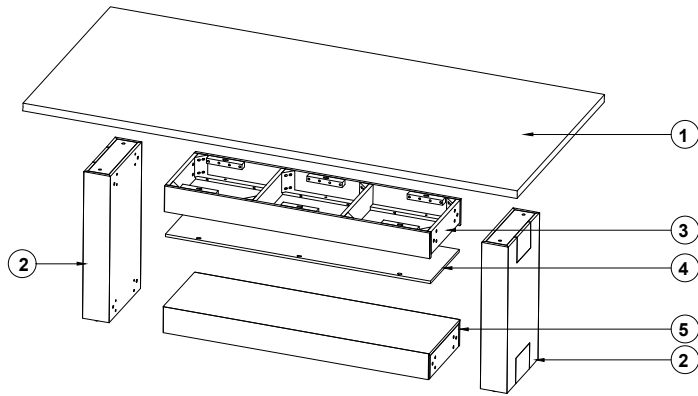


Step 2



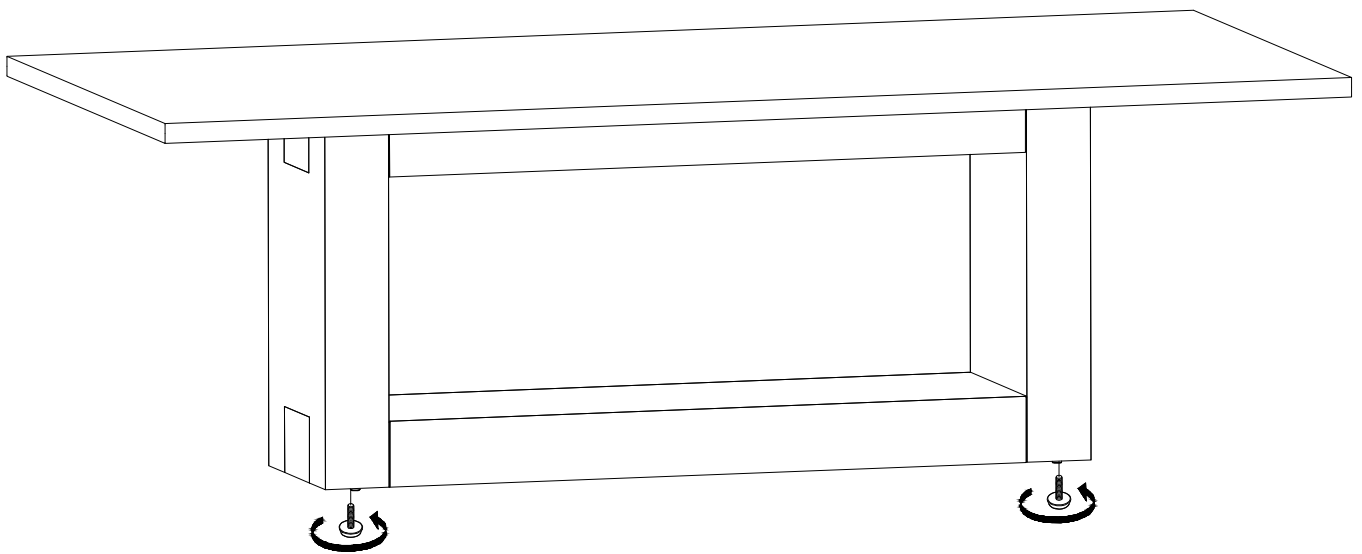
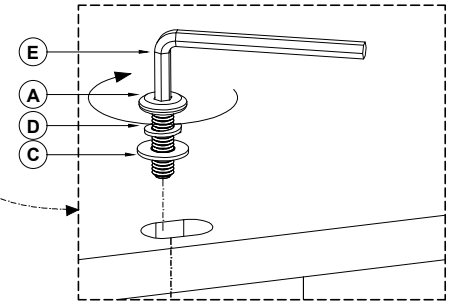
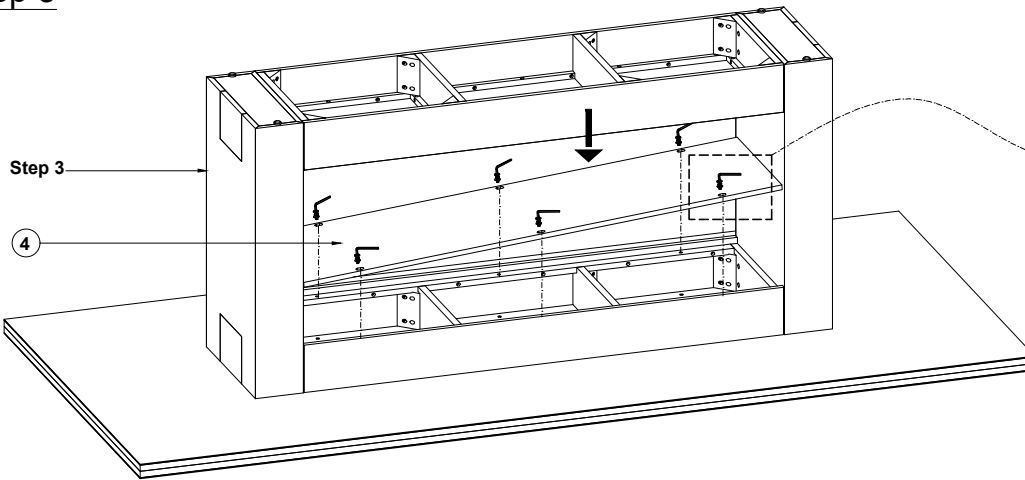
ASSEMBLY INSTRUCTION FOR

MODEL: Dining Table



HARDWARE LIST				
A		Bolts	6mm x 35mm	22
B		Bolts	6mm x 45mm	6
C		Flat washer		28
D		Spring washer		28
E		Key K4		1
F		Wooden pegs	Ø12mm x 29mm	12

Step 3



Adjustable Leveler