



EMILE ROBE HOOK

FEATURES

- Solid brass construction
- Easy installation mounting brackets
- Back to back installation available

COLORS/FINISHES

- #CP Polished Chrome
- #BN Brushed Nickel



INSTALLATION NOTES

Please refer to the installation manual for further instructions.

WARRANTY

- Five-year Limited Warranty for residential use
- One-year Limited Warranty for commercial use

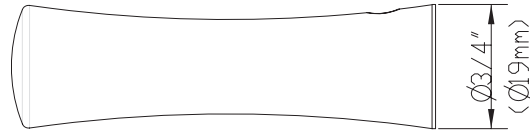
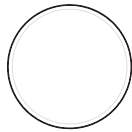
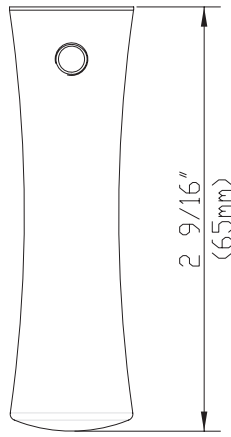
SHIPPING INFORMATION

Package Dimensions
2 3/16" x 3 15/16" x 2 3/16"
Package Weight
0.2 lbs

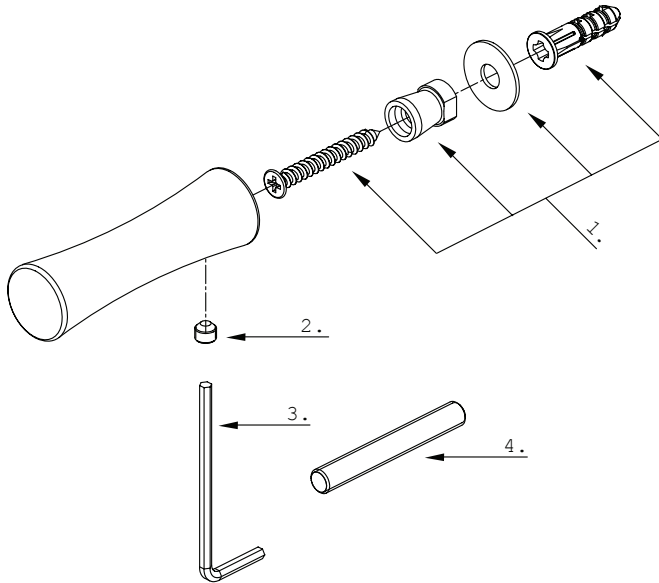
MATERIAL

- Brass

DIMENSIONS



SERVICE PARTS



1. Mounting Hardware (RB0128)
2. Screw (M5*4mm L) (A008005)
3. Allen Key (A031000)
4. Screw Bolt (M6*45mm L) (RB0126)