



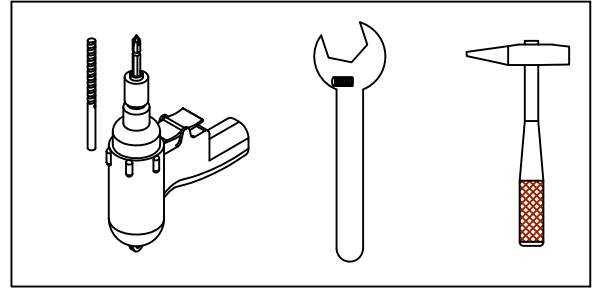


Item No. : WH1811W

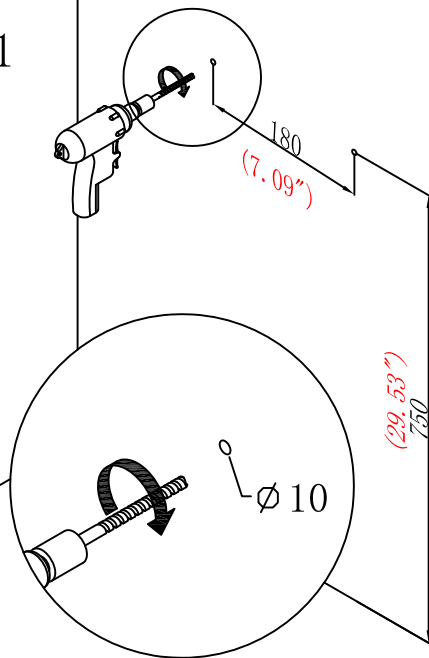
Hardware

NO.	Draw	QTY
A		2
B		2
C		2
D		2

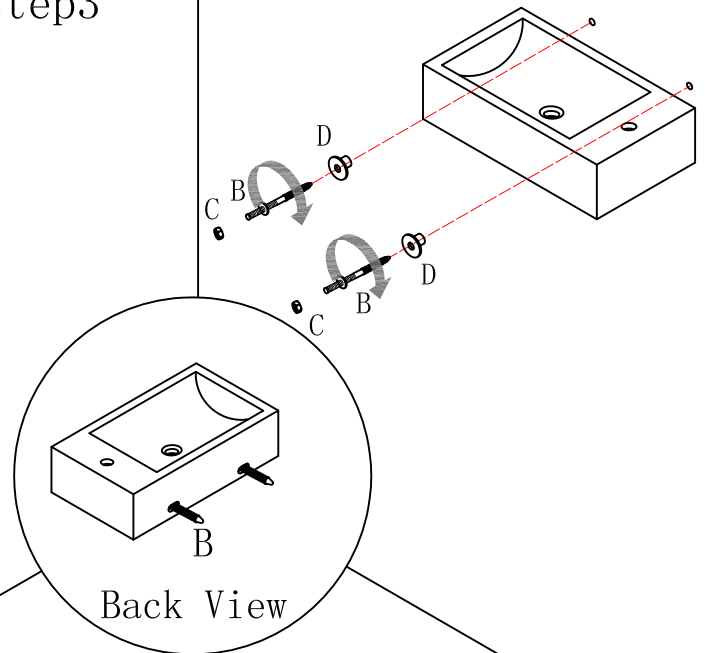
Tools



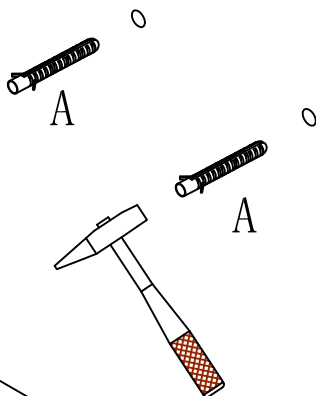
Step1



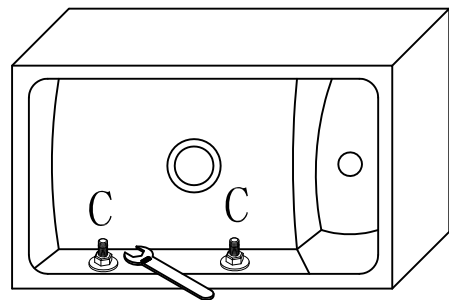
Step3



Step2



Finished



Use a wrench to tighten the nuts fixed ceramic pots