

VIVOHOME

**THANK  
YOU!**

**NOTE:**

To continuously improve its products, VIVOHOME reserves the right to modify this information without prior notification.

For any questions regarding assembly, please watch the video on the product page or contact our customer service. Our customer service will gladly assist you with any additional questions, comments, or concerns.

Thank you for using VIVOHOME products in your home!

Thank You for Purchasing from

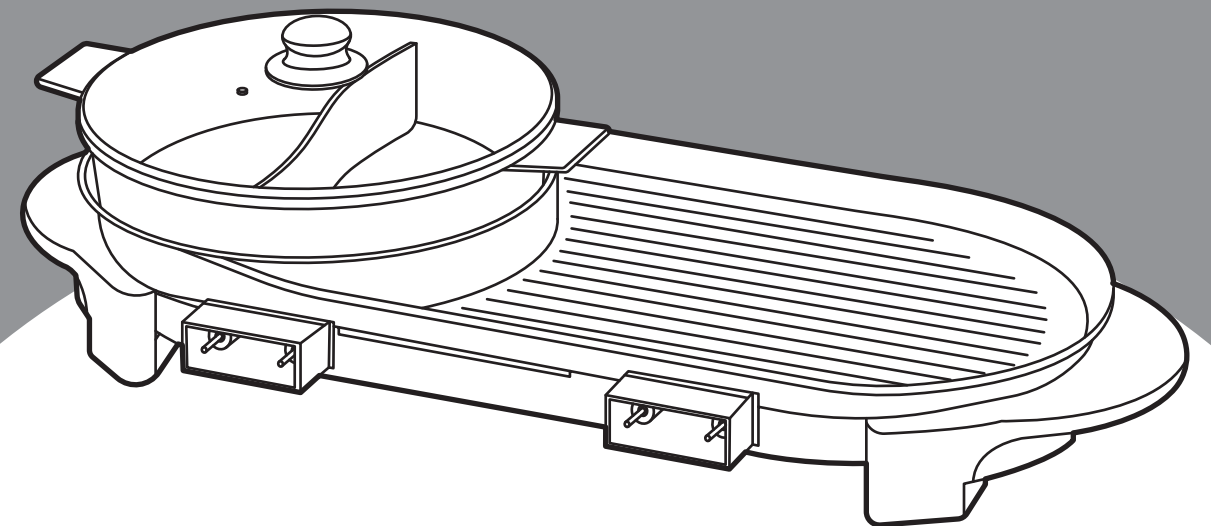
VIVOHOME

Made in China

VIVOHOME

**HOW-TO**

**USER MANUAL**



**2-in-1 Electric Hot Pot**

Assembly is EASY!

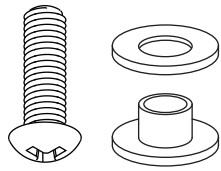
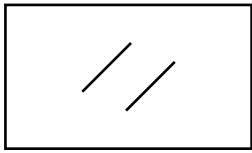
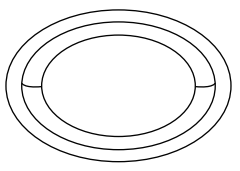
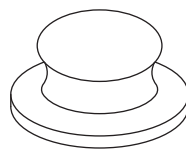
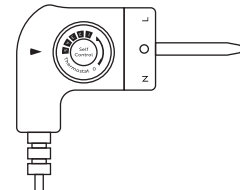
**WE WANT  
YOU TO  
ENJOY LIFE  
AT HOME**

GO TO THE PRODUCT LISTING PAGE  
FOR AN INSTUCTIONAL VIDEO!

SECTION A

**Parts List**



<p>x1 SET</p>  <p>Screw set</p>	<p>x20 PCS</p>  <p>Greaseproof paper</p>	<p>x20 PCS</p>  <p>Paper Plates</p>
<p>x1 PC</p>  <p>Lid knob</p>	<p>x2 PCS</p>  <p>Thermostat</p>	

SECTION B

**Main Technical Parameters**



Rated power: 2200W

Rated voltage: 110V

Rated frequency: 60Hz

## Safe Use Method



When using this electrical appliance, in addition to following the basic safety code, remember the following guidelines:

- The smoke that appeared at the bottom during the first use does not impact the usual functioning of this device.
- This product is a three-pronged structure, and all sockets must have reliable grounding.
- The use of the power supply voltage should be consistent with the voltage indicated on the product label.
- When using, connect the thermostat to the pot body before connecting the power. After use, adjust the thermostat to the "Thermostat" position before unplugging the power cable. Only use the included thermostat to prevent accidents.
- Avoid wire contact with high-temperature objects. Place the pot on a safe and level surface to prevent collisions and cause burns.
- When the pot is hot or filled with hot soup, please be careful to move.
- Attention is needed when the pot is filled with oil and please do not put the lid on when frying.
- Please do not touch the thermostat cover while it is in use and be cautious.
- Before cleaning, place the thermostat in a dry location and let it cool naturally to avoid electric shock. Do not submerge the thermostat or plug in any liquid or water.
- Do not change its use.
- Always pay attention to the connection parts for tightness. If you find any loose connections, tighten the screws.
- Not suitable for children to use independently.

## Operating Instructions



1. Remove all packaging materials and use a sponge or washcloth to clean the pot. Before use, wipe the cooker socket dry, particularly the plug part, to prevent leakage.
2. Adjust the thermostat to the "Thermostat" position and connect the pot body to the power supply.
3. Rotate the knob and the indicator is light. In the cooking process, spin the thermostat to the required temperature level. The power will turn on or off automatically based on the temperature of the food and the user's settings. The light will indicate the current status. This function is not only for cooking but also for saving electricity.
4. Rotate the knob to "Thermostat" and pull off the power supply and thermostat. Note: The temperature may still be hot, so avoid touching it and place it in a safe location away from children or others to prevent burns. Let it automatically cool.
5. Timely removal of oil.

## Introduction of temperature controller



Multifunctional electric heat pan with temperature control settings. The optimal temperature can vary depending on the food being cooked. Use the temperature control to achieve perfect cooking results.

The temperature control panel has 5 characters and the temperature of each file is as follows:

Insulation ---About  $50^{\circ}\text{C}\pm 10^{\circ}\text{C}$

Slow fire --- About  $80^{\circ}\text{C}\pm 10^{\circ}\text{C}$

Small fire --- About  $110^{\circ}\text{C}\pm 10^{\circ}\text{C}$

Large fire --- About  $140^{\circ}\text{C}\pm 10^{\circ}\text{C}$

Conflagration --- About  $170^{\circ}\text{C}\pm 10^{\circ}\text{C}$

## Cleaning



1. After each use, it is necessary to clean to prevent oil accumulation.
2. Please set the thermostat in the "Thermostat" position and disconnect the power supply. Move the thermostat to a safe location to prevent burns.
3. Let the pot cool naturally and wipe it with a dry cloth.
4. If the pot is too greasy, use a cleaning agent to wash it.