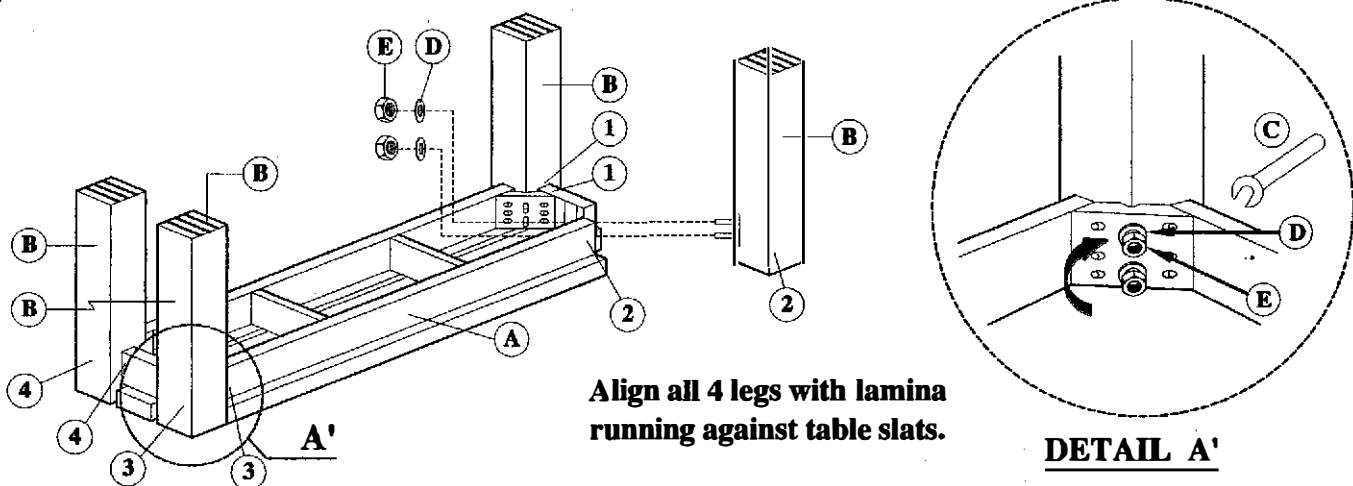


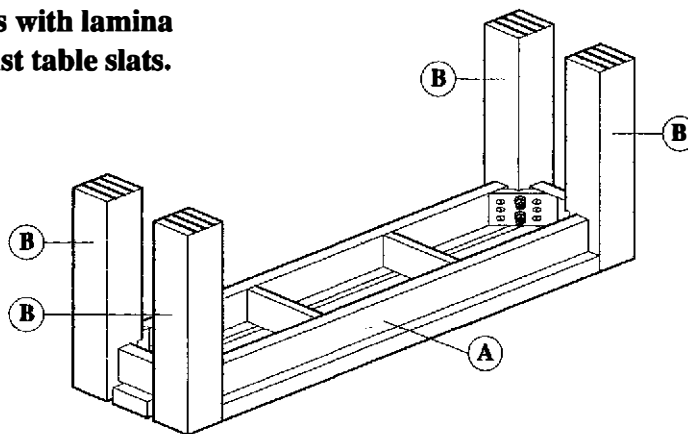
ASSEMBLY INSTRUCTIONS TEAKWOOD DOUBLE BENCH (ATF03, ATF37)

STEP 1



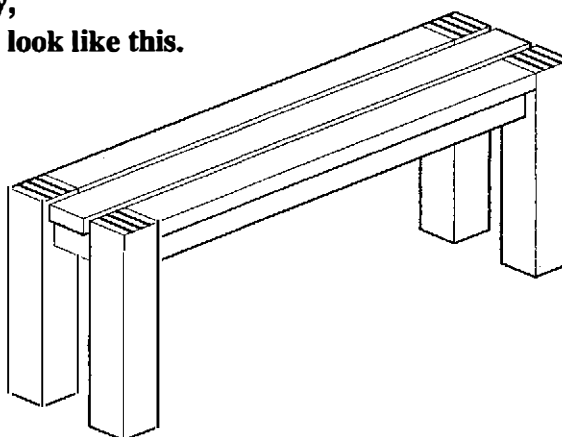
STEP 2




Align all 4 legs with lamina running against table slats.



STEP 3

If assembled correctly, the finished table will look like this.



| NO. | PARTS. | QTY. |
|-----|---|------|
| C | WRENCH  | 1 |
| D | WASHER  | 8+1 |
| E | NUT  | 8+1 |