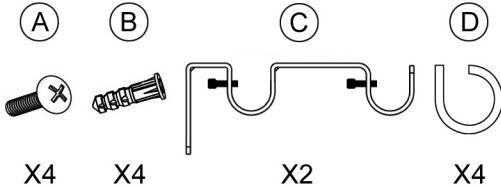


# INSTALLATION INSTRUCTIONS - UNIVERSAL DOUBLE BRACKET

## INCLUDES:

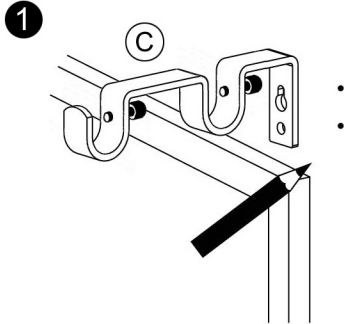


## YOU WILL NEED (not included):

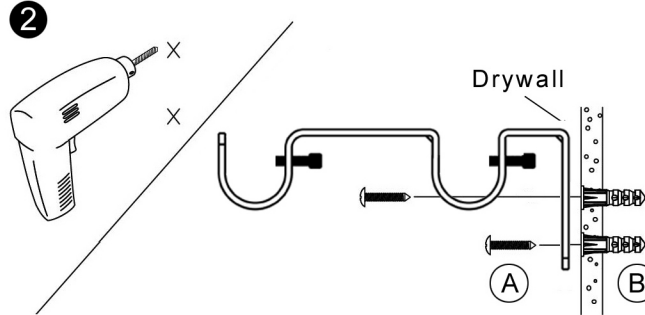


## CARE INSTRUCTIONS:

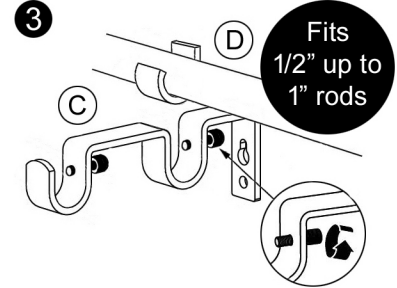
Clean with a soft cloth.  
Do not use abrasive cleaning agents, solvents or polishes.



Use bracket (C) as a guide to mark location for mounting screws (A).



Drill pilot holes into wall with 1/4" drill bit (not included). Insert wall anchors (B) and attach bracket (C) using mounting screws (A). Wall anchors may not be necessary if drilling into studs.



Add adaptor (D) to the back rod and place into bracket (1" rod does not require adaptor) and tighten set screw on bracket (C) to secure the rod. Repeat for front rod.