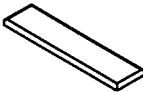
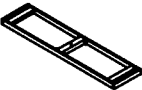







ASSEMBLY INSTRUCTIONS







DIMENSIONS 69"W x 17 5/32"D x 18"H

DO NOT FULLY TIGHTEN BOLTS UNTIL THE ENTIRE ITEM IS COMPLETELY ASSEMBLED

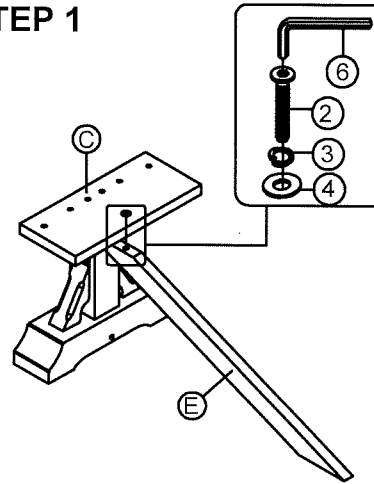
PART LIST

(A) Seat Cushion (1pc) 	(B) Seat Frame (1pc) 	(C) Leg Frame (2pcs) 
(D) Bottom Stretcher (1pc) 	(E) Center Stretcher (2pcs) 	(F) Vertical Bar(1pc) 
		(G) Support Leg(1pc) 

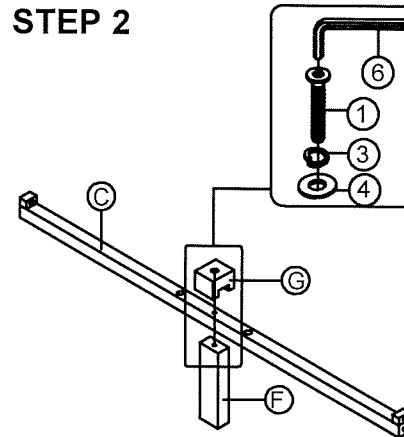
HARDWARE LIST

Long Bolt  (1) Ø5/16"x75mm (2 pcs)	Short Bolt  (2) 5/16"x40mm (10 pcs)	Spring Washer  (3) Ø5/16"x13mm (12 pcs)
Flat Washer  (4) Ø5/16"x16mm (12 pcs)	Screws  (5) 5/32"x38mm (12 pcs)	Allen key  (6) 4mm(1 pc)

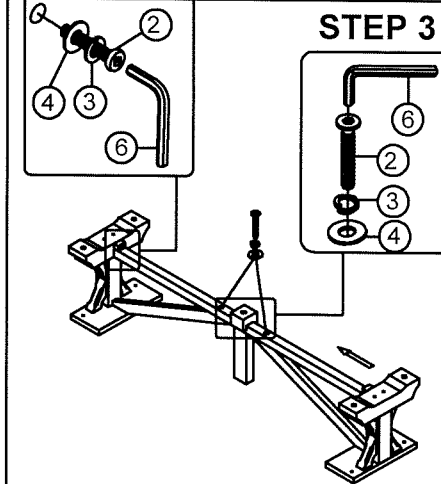
STEP 1



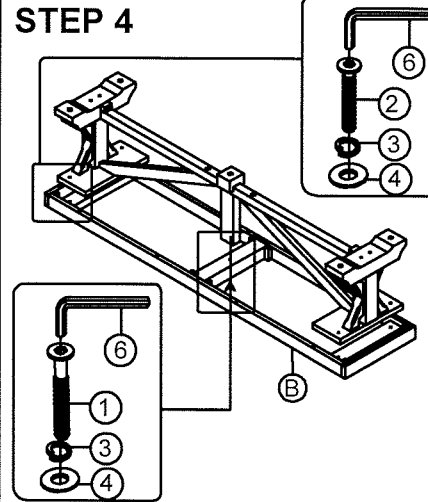
STEP 2



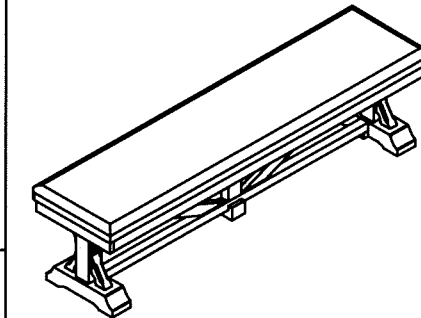
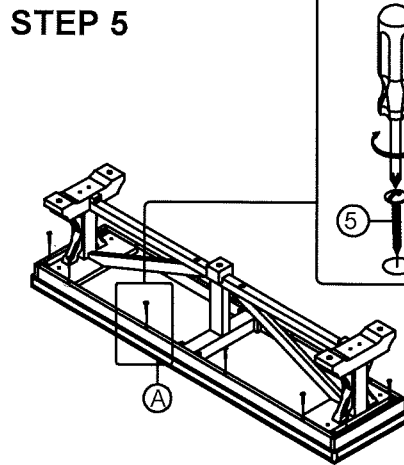
STEP 3



STEP 4



STEP 5



NOTE: IT WILL REQUIRE TWO PEOPLE TO TURN ASSEMBLED UNIT UPRIGHT.

Complete