



15 : 00

estimated
assembly time



2 or more

people required

Ok, let's
get started!



- Put on mood music!
- To prevent damage to product, use the clean side of package carton or rug as working surface.
- In the event of missing or damaged parts, delivery problems etc., please reach out to our team. We will be happy to fix the problem!

care guide

- Clean regularly with a soft and dry cloth.
- To protect finish, avoid use of abrasive cleaners.
- Wipe up spills immediately. Please!

ⓘ **While assembling the product, tighten the bolts up to 50%. Once all parts are in place, only then fully tighten the bolts.**



product parts



A
Table Leg
x1



B
Table Leg
x1



C
Tabletop
x1



D
Rod
x1

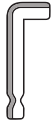


E
Glass
x1

what's included



(F) - Bolt
(M6 x 12mm)
x16



(G) - Allen Key
(M4 x 140mm)
x1



(H) - Bumpons
x4

assembly instructions

Friendly Tip: Take a deep breath going in. This may be a tricky part, but nothing too overwhelming. Just follow these steps to the T and the outcome will be worth it!

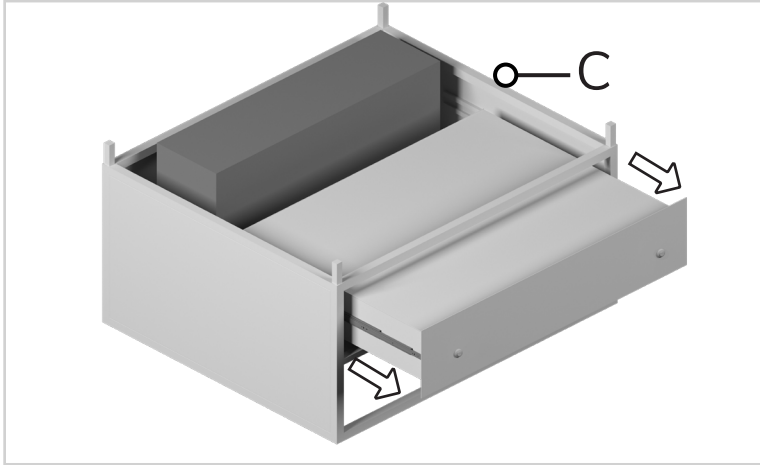


- ⓘ While assembling the product, tighten the bolts up to 50%. Once all parts are in place, only then fully tighten the bolts.

⚠ **Note:** To ensure proper working of the drawer, pull both knobs together with equal force. Opening the drawer with the help of only one knob may hamper functioning over time.

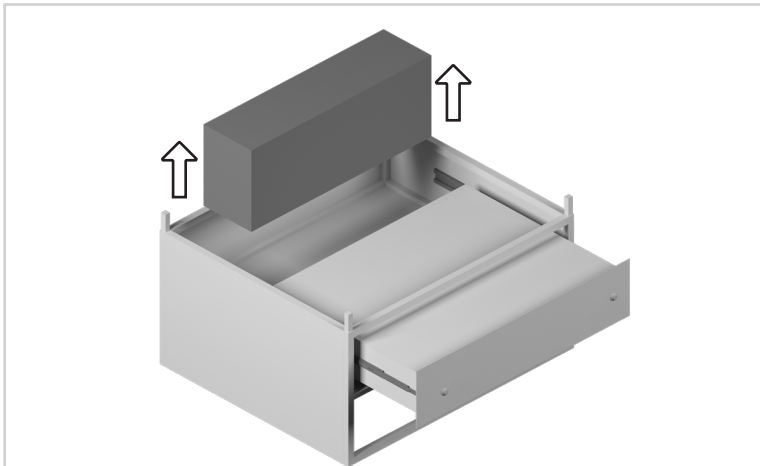
step 1:

Start by placing tabletop (C) upside-down on a rug/carton. Push out the drawer taking this image as reference.



step 2:

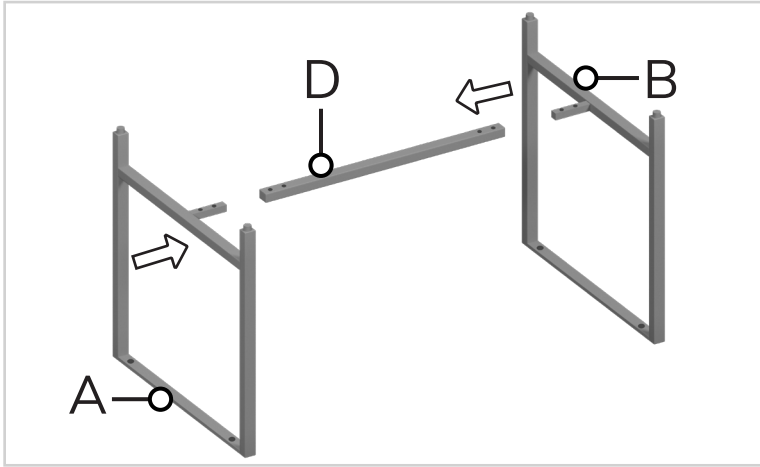
Take out the cardboard box and discard it. (It is for ease of transportation)



⚠ **While assembling the product, tighten the bolts up to 50%. Once all parts are in place, only then fully tighten the bolts.**

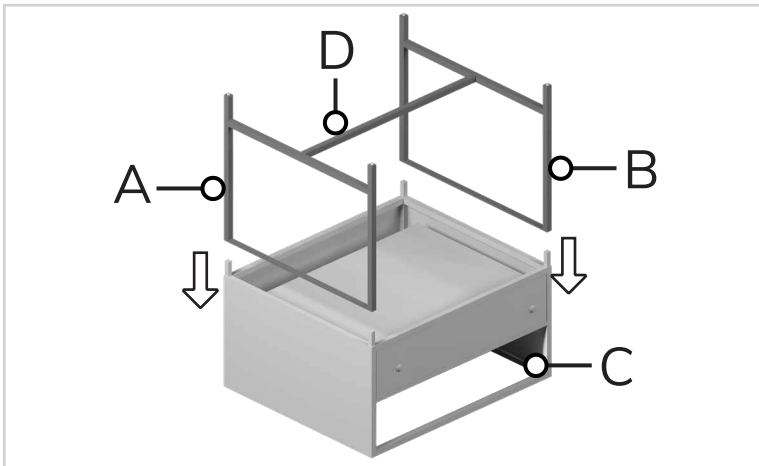
step 3:

Next, take this image as a reference, and insert rod (D) into table legs (A & B). Simple enough?



step 4:

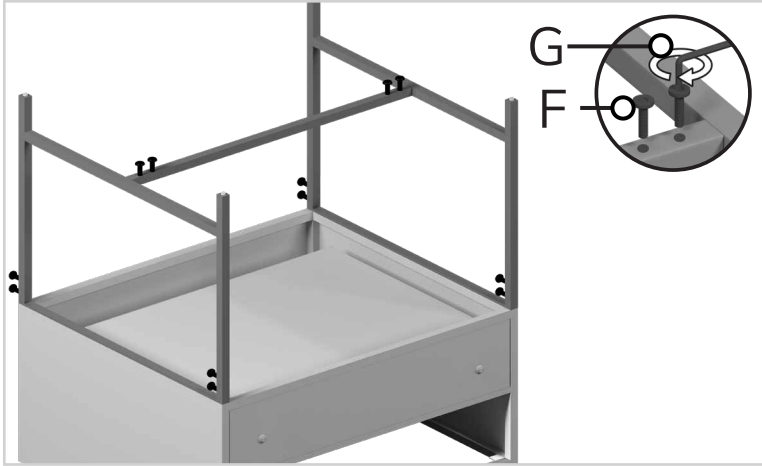
Now, insert the resulting frame (A,B,D) into the slots given on the tabletop (C).



⚠ While assembling the product, tighten the bolts up to 50%.
Once all parts are in place, only then fully tighten the bolts.

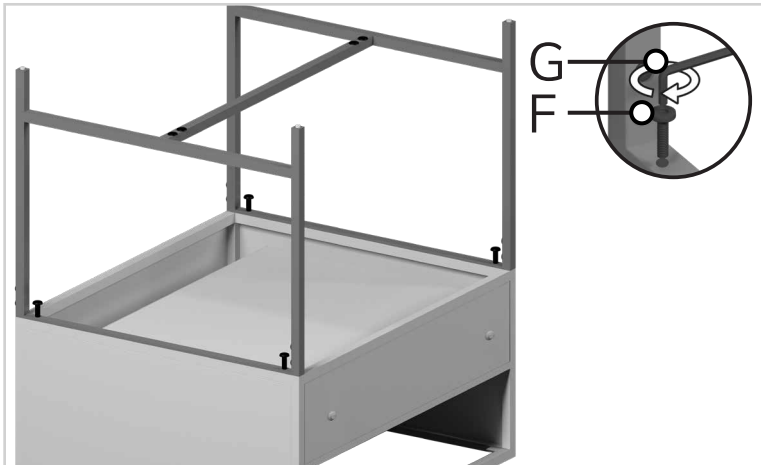
step 5:

First, fix the rod and legs in place. Use bolts (F) at points shown in this image. Tighten them using the allen key (G).



step 6:

Then, use bolts (F) on all four points to fix the legs to the tabletop as shown in the image. Tighten them using allen key (G).

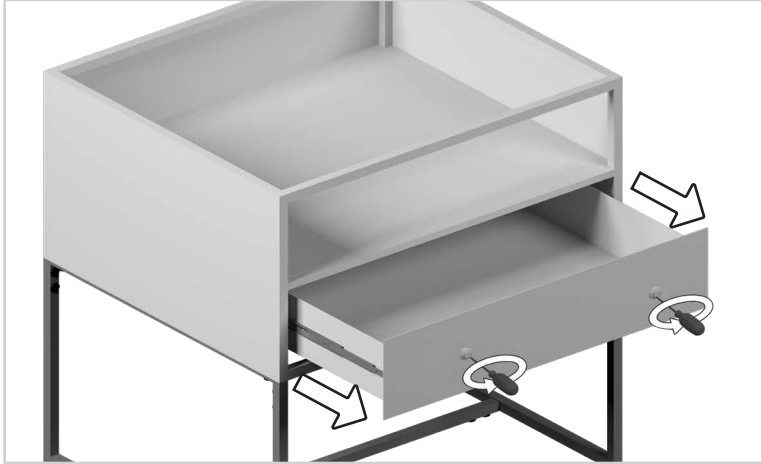


⚠ While assembling the product, tighten the bolts up to 50%. Once all parts are in place, only then fully tighten the bolts.

⚠ **Note:** To ensure proper working of the drawer, pull both knobs together with equal force. Opening the drawer with the help of only one knob may hamper functioning over time.

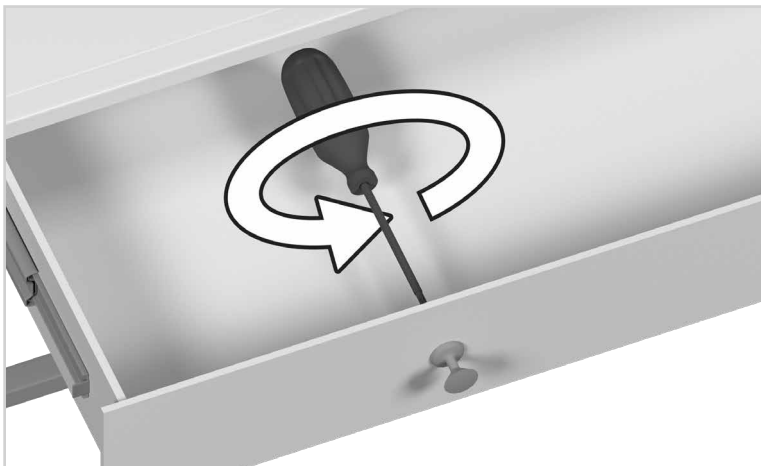
step 7:

Now, using a screwdriver, detach the knobs fitted inside the drawer.



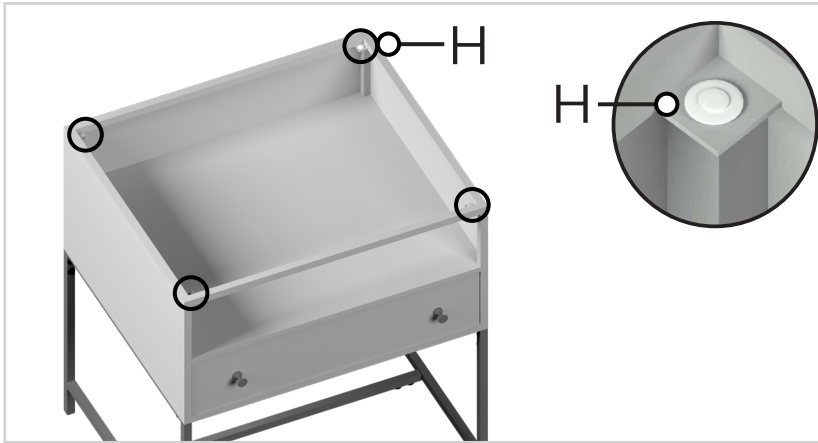
step 8:

Place the knobs outside the drawer and re-attach using the screws that you just removed and tighten using the screwdriver.



step 9:

Now, stick the bumpons (H) at the corners of the tabletop (C). Use the image below as a reference.



step 10:

When done, take the glass top (E) and place it over the bumpons. Support the glass by placing one hand under the rod and holding the glass with the other hand. Ensure that they are fixed properly.



step 11:

Place a spirit level on top of the surface to check alignment. Adjust the levellers if needed.





Voila! Your table is now assembled and secure!