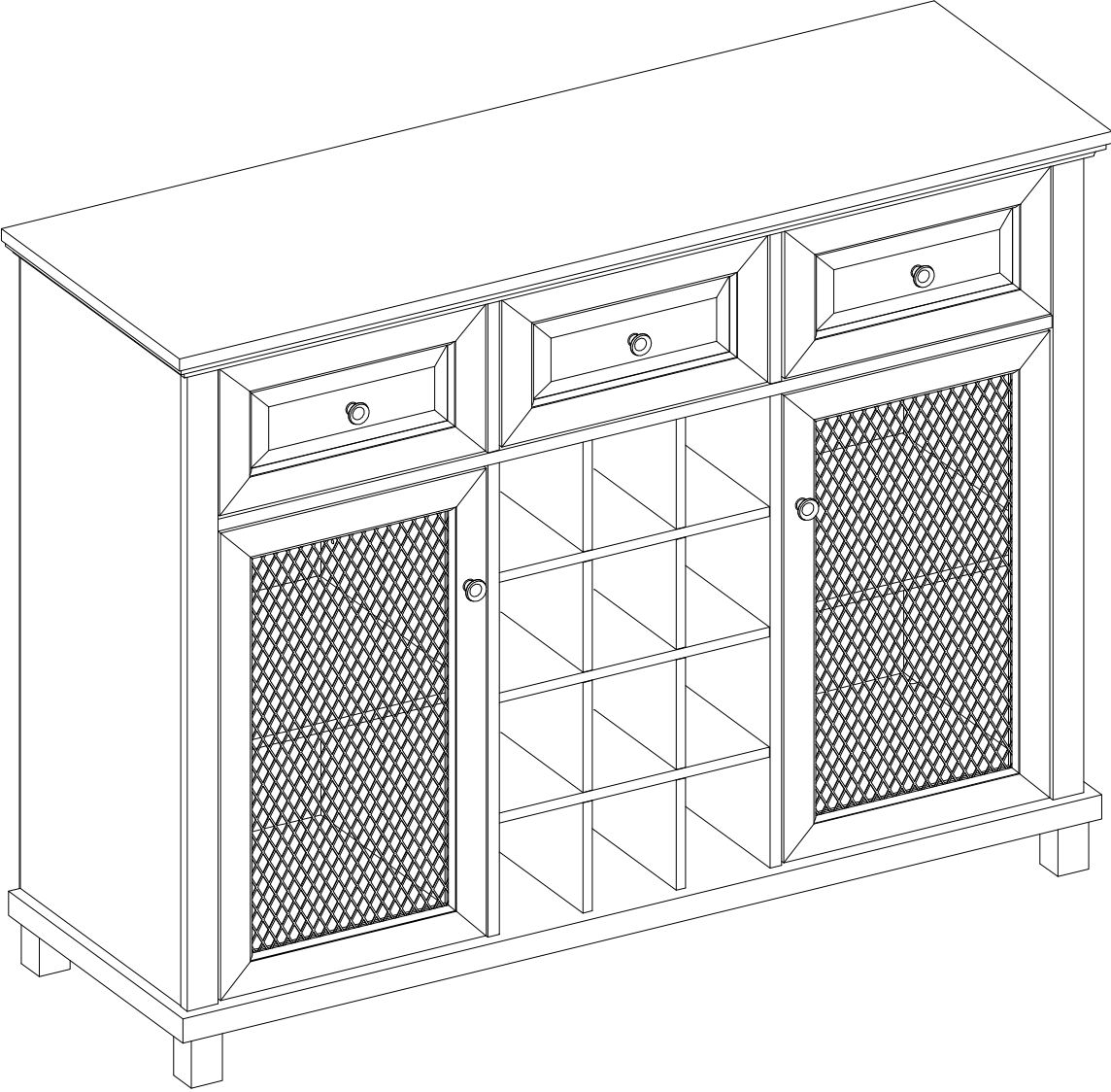
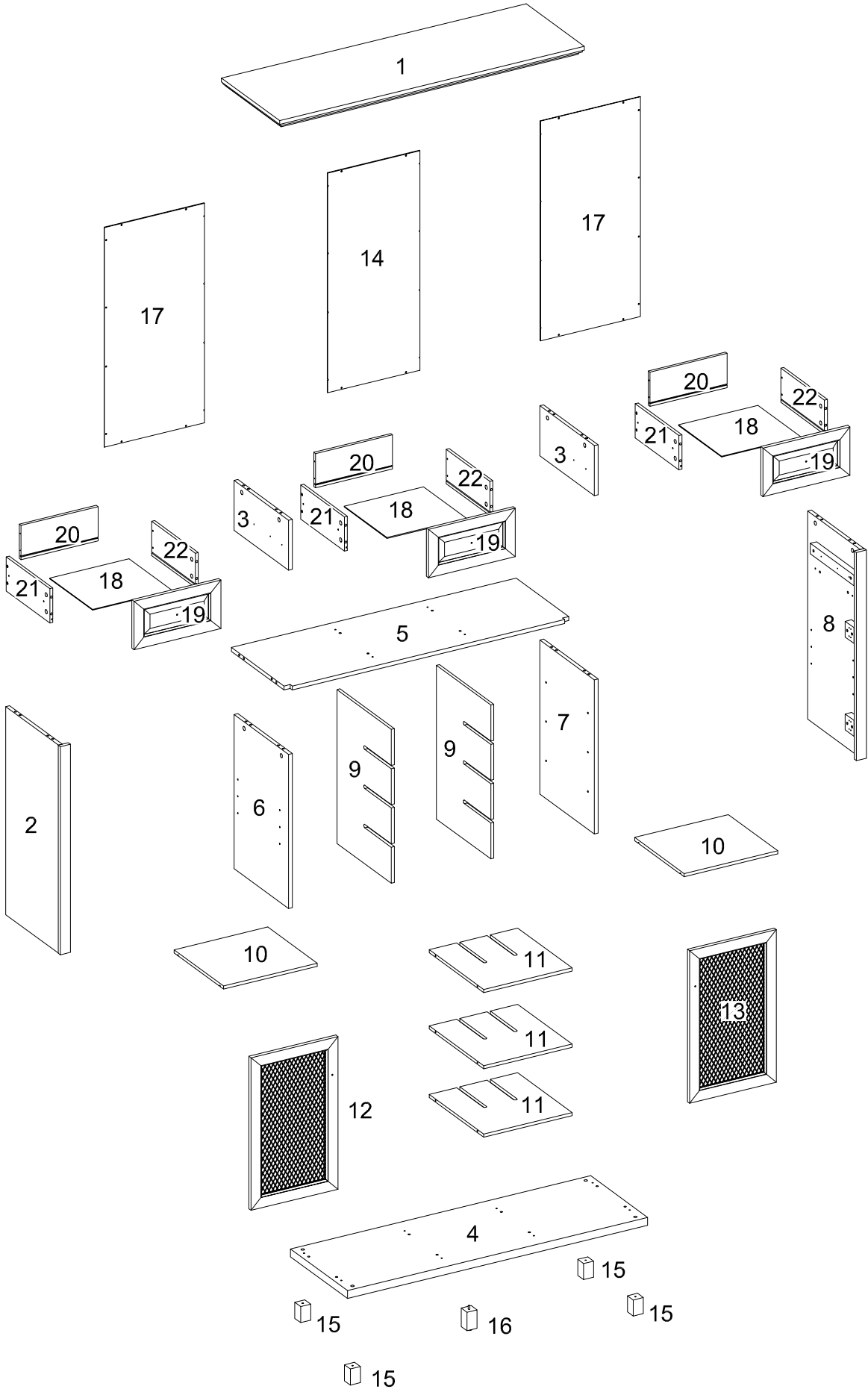




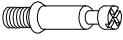





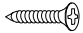

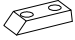


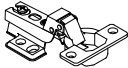
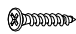







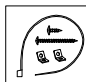
ASSEMBLY INSTRUCTION

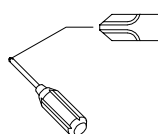


Parts List



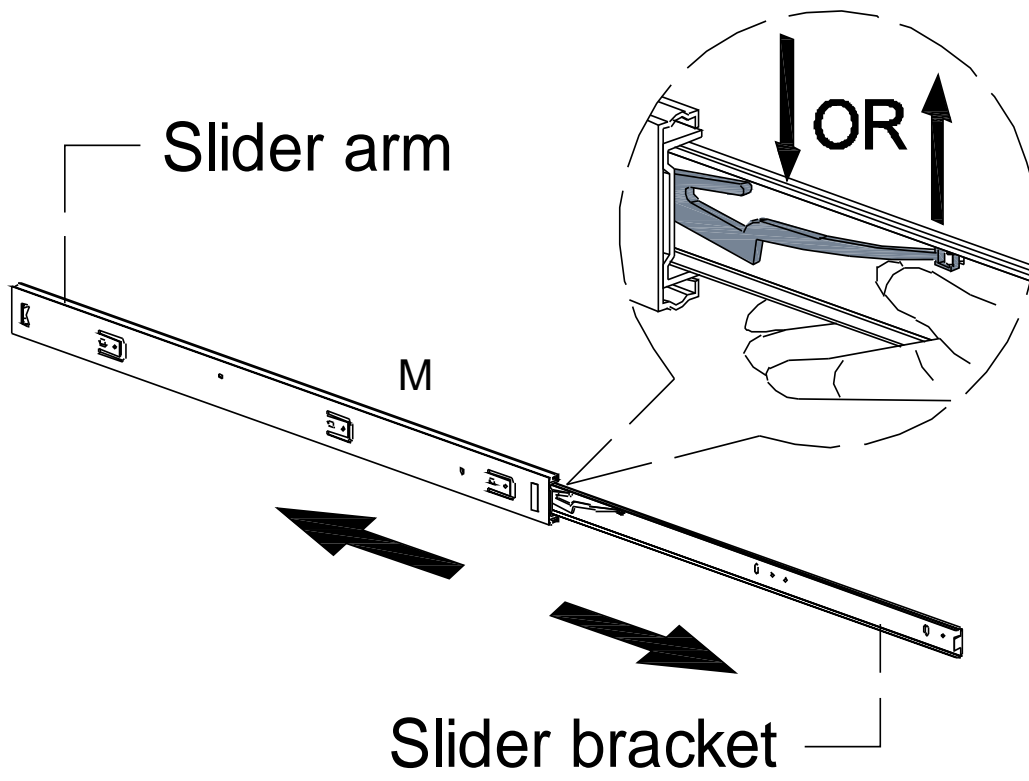
Hardware List

A		Ø8x30mm	Wood dowel	28 pcs
B		Ø6x30mm	Wood dowel	12 pcs
C		Ø6x35mm	Cam bolt	28 pcs
D		Ø15x11mm	Cam lock	16 pcs
E		Ø15x9mm	Small cam lock	12 pcs
F			Sticker	28 pcs
G			Handle	5 pcs
H		Ø4x22mm	Handle bolt	2 pcs
I		Ø3.5x14mm	Screw	4 pcs
J			Shelf support pin	8 pcs
K			Door stopper	2 pcs
L		Ø3x12mm	Screw	36 pcs
M			Drawer slider	3 set
N			Europe Hinge	4 pcs
O		Ø3.5x15mm	Hinge screw	24 pcs
P		Ø3x15mm	Screw	28 pcs
Q		Ø4x44mm	Fast screw	12 pcs
R		Ø4x32mm	Fast screw	12 pcs
S			Glue	1 pcs
T		M 4	Hexagon socket key	1 pcs
U		Ø6x50mm	Screw	4 pcs
V		Ø4x16mm	Handle bolt	3 pcs
W		Tipping Restraint Hardware (Inside Plastic White Bag)		2 set

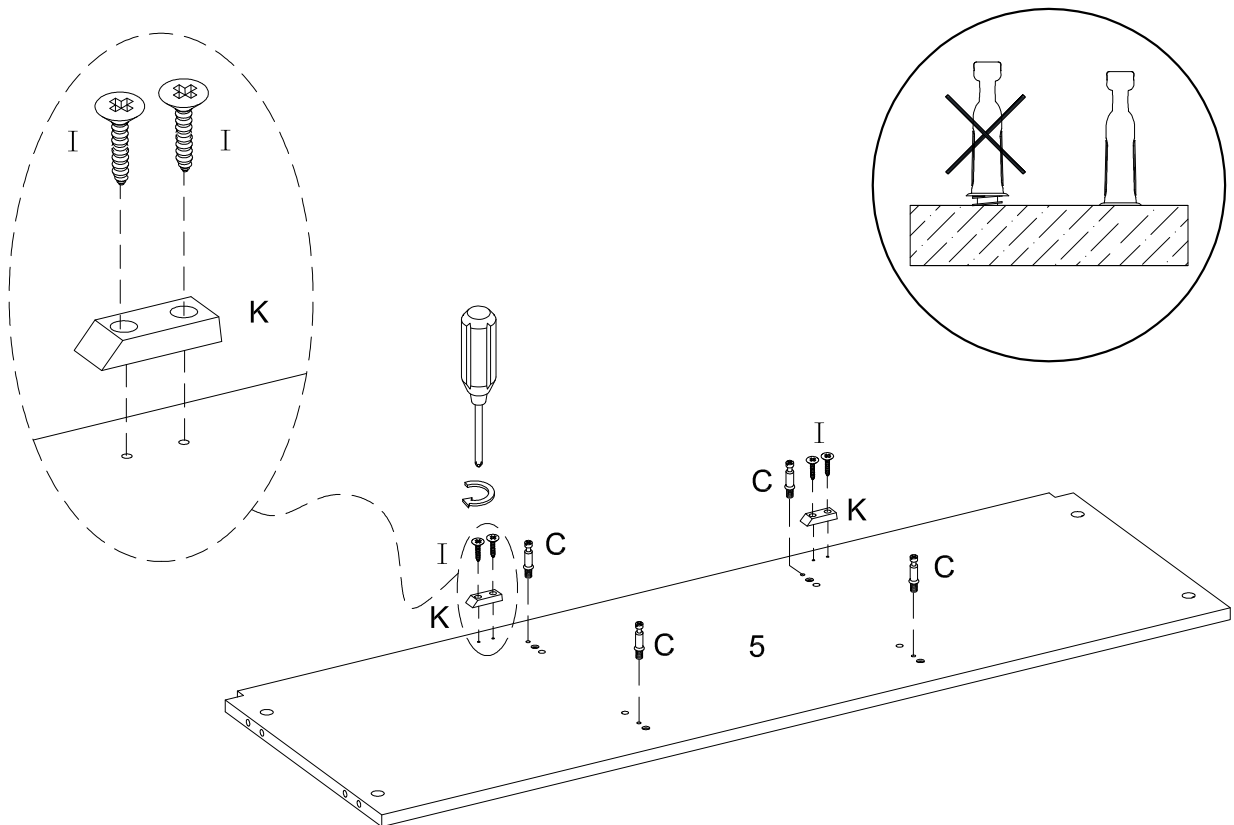


Philips head screwdriver required for assembly
(not included)

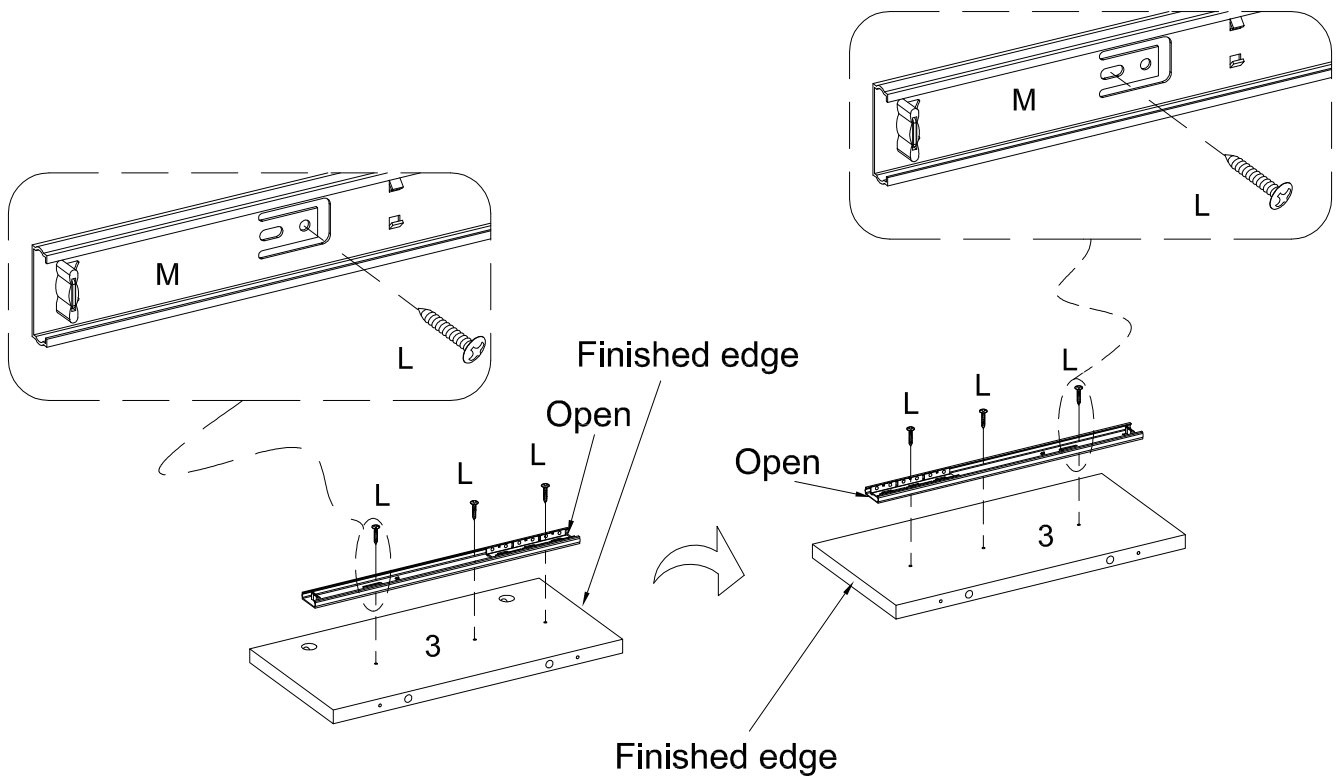
Step 1



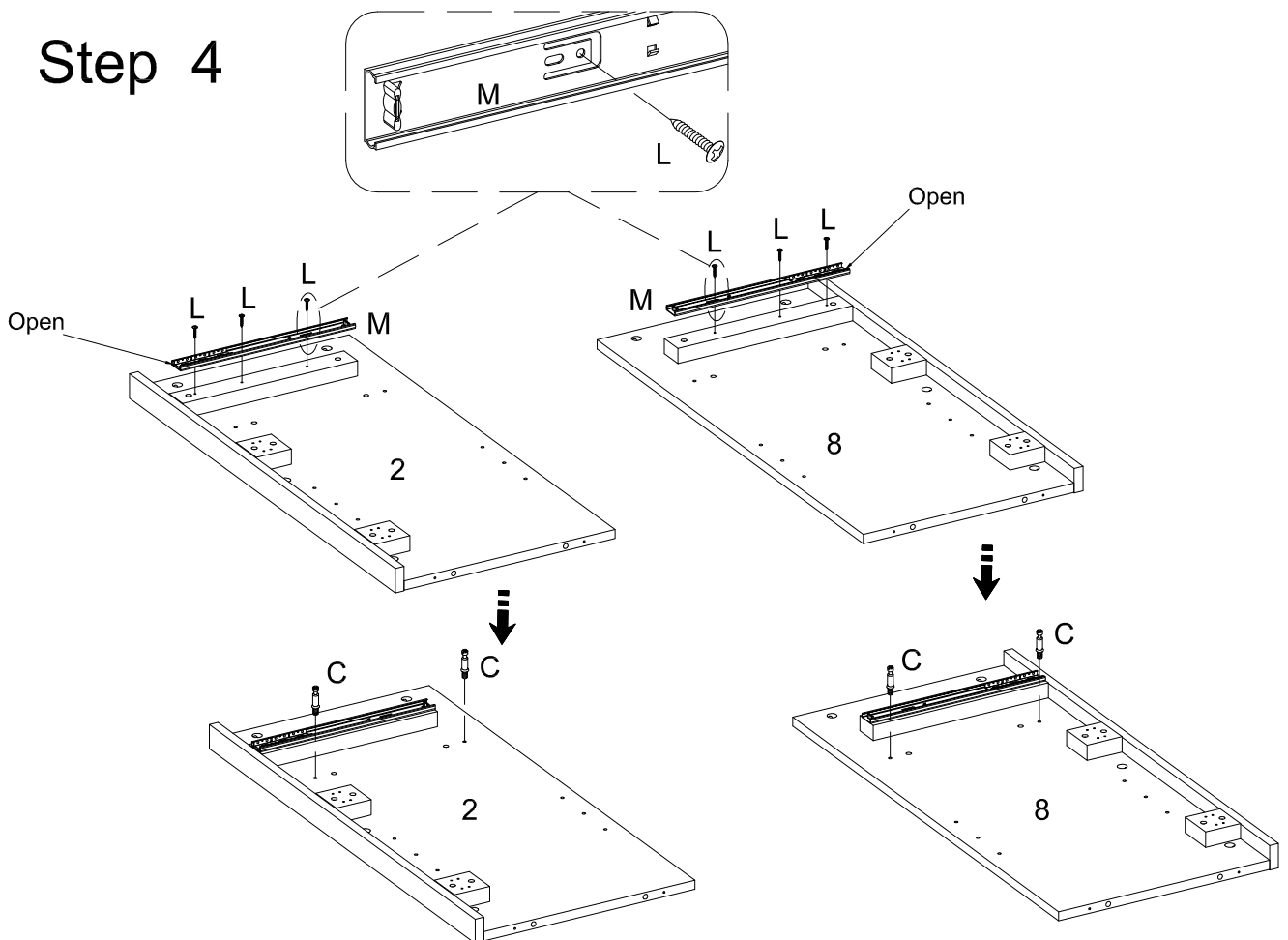
Step 2



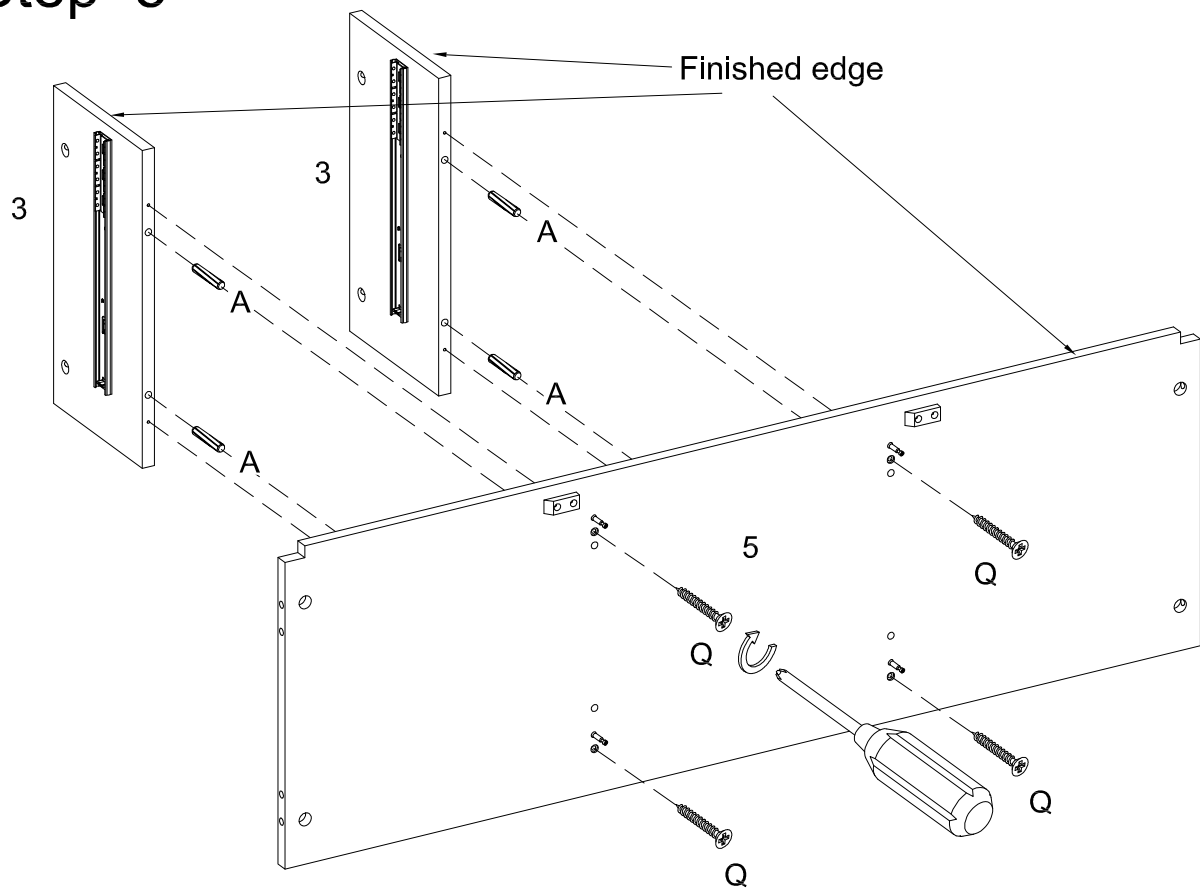
Step 3 x2



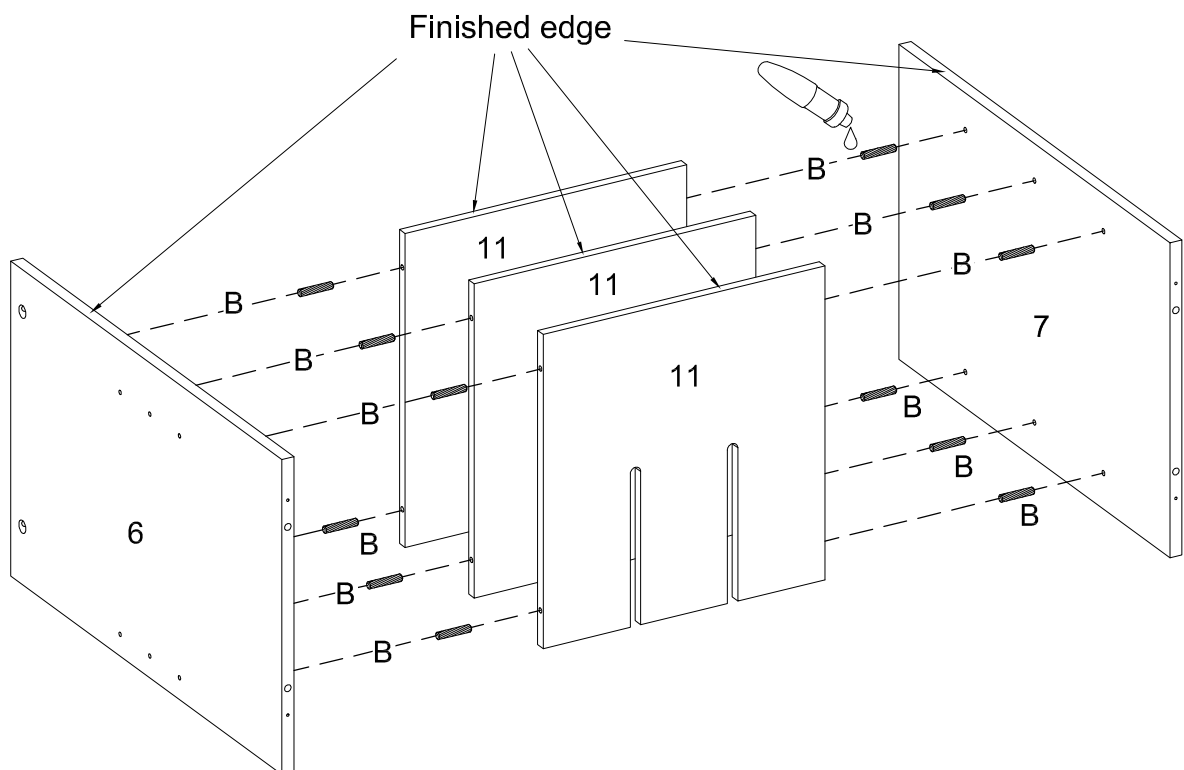
Step 4



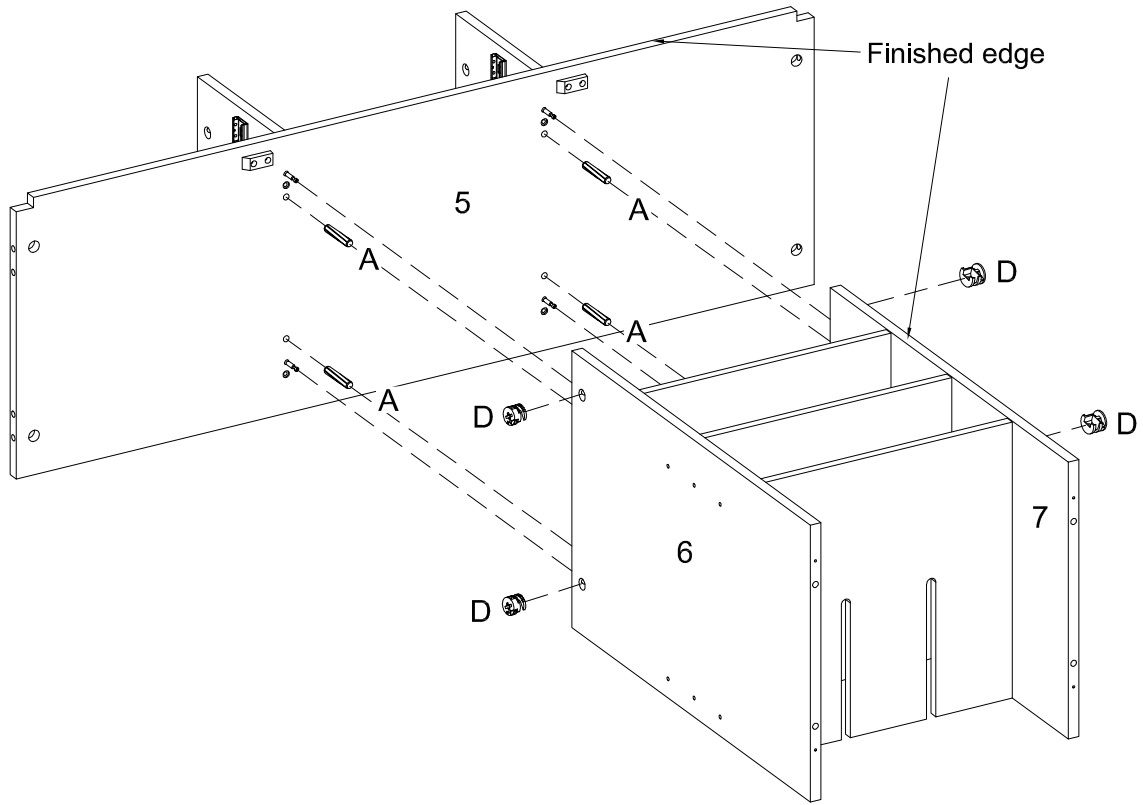
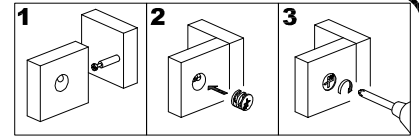
Step 5



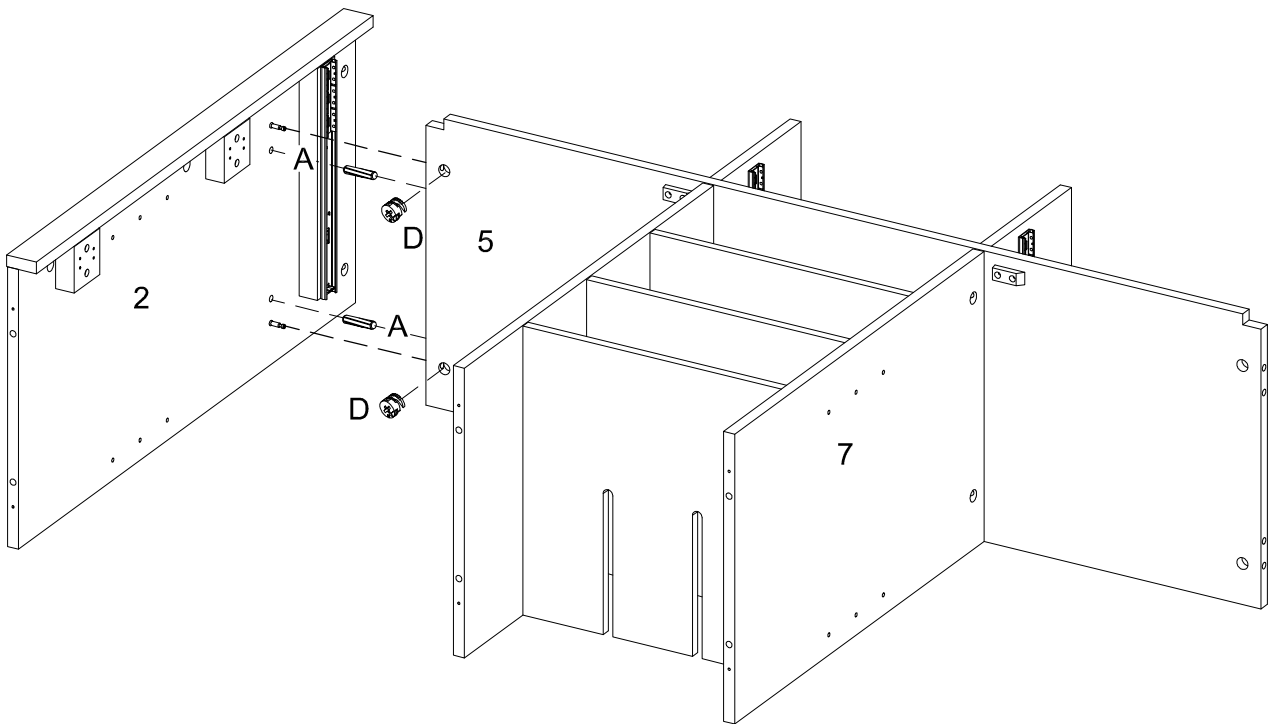
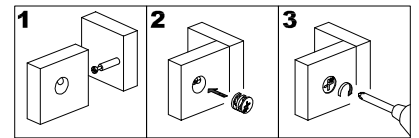
Step 6



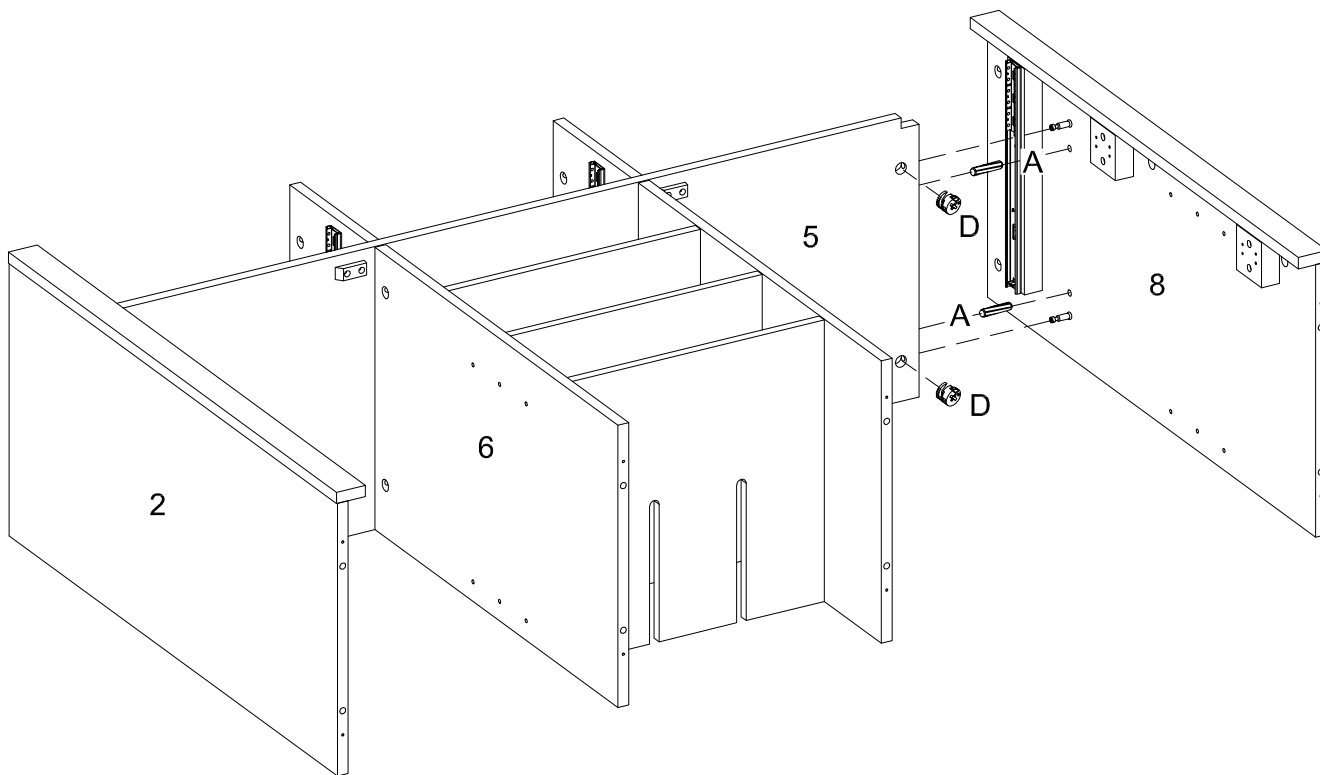
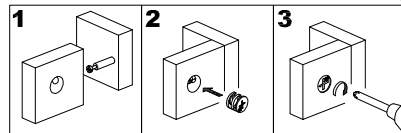
Step 7



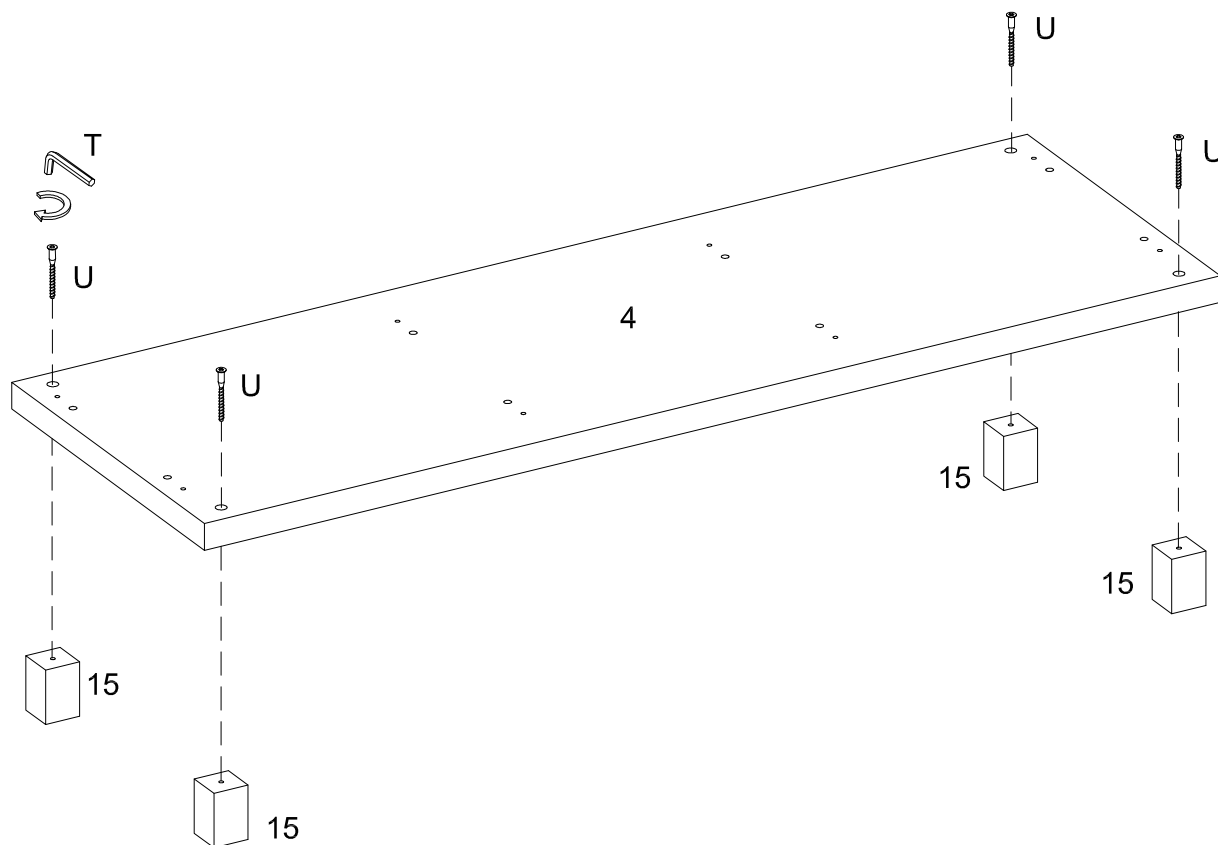
Step 8



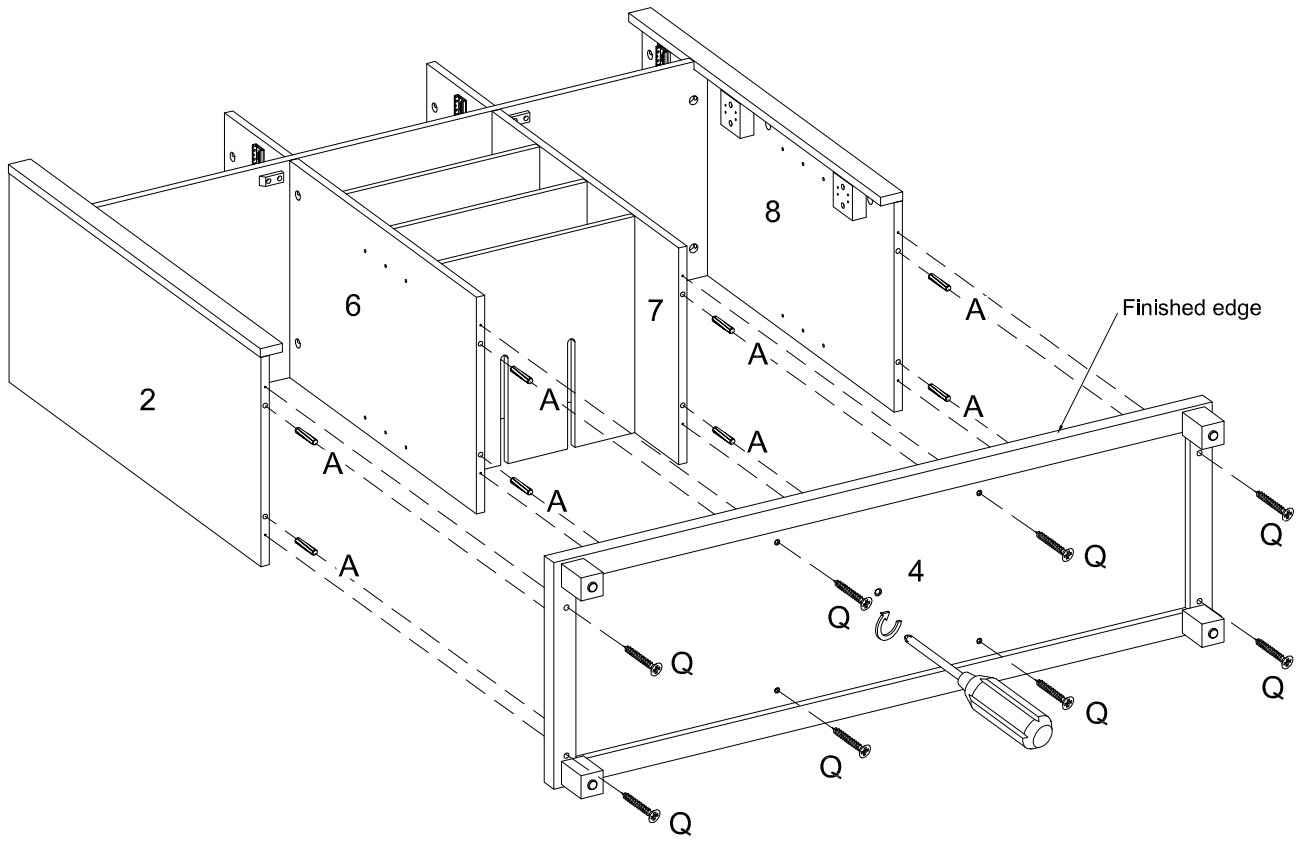
Step 9



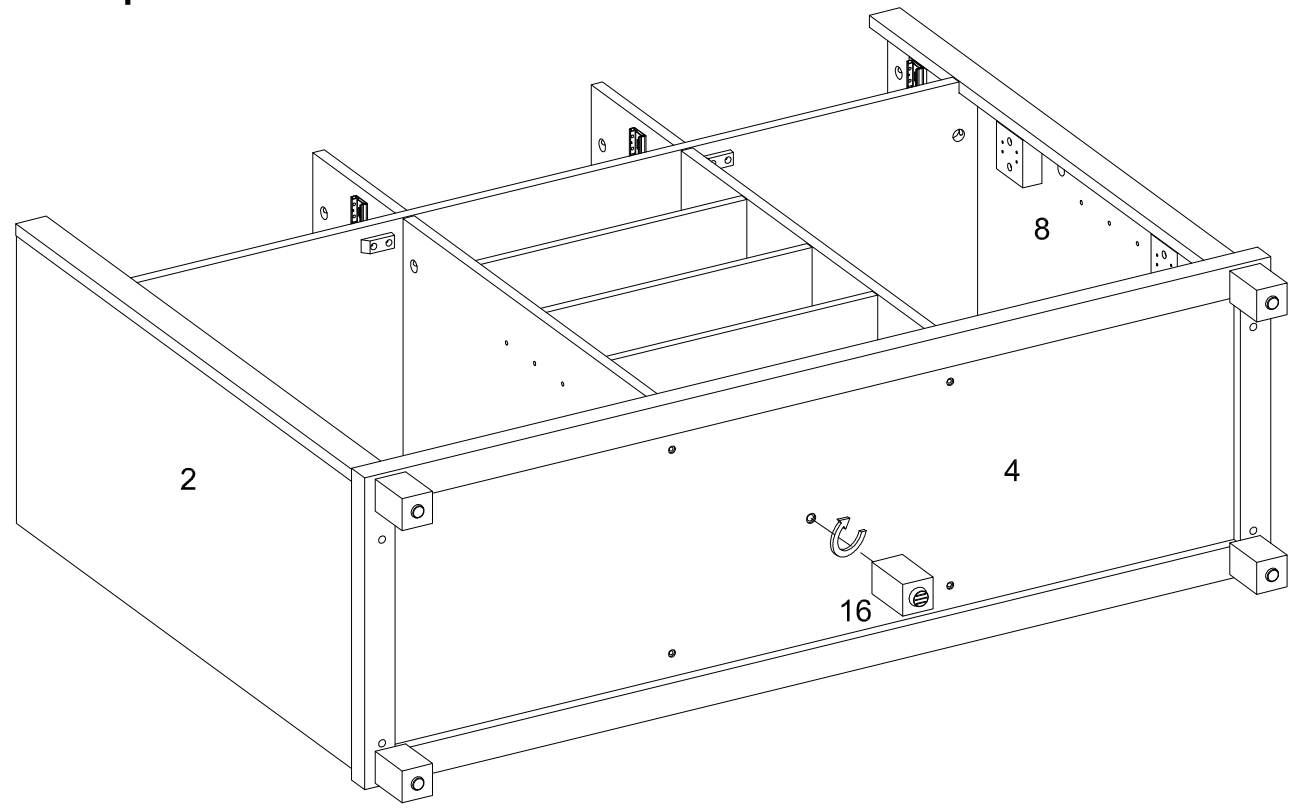
Step 10



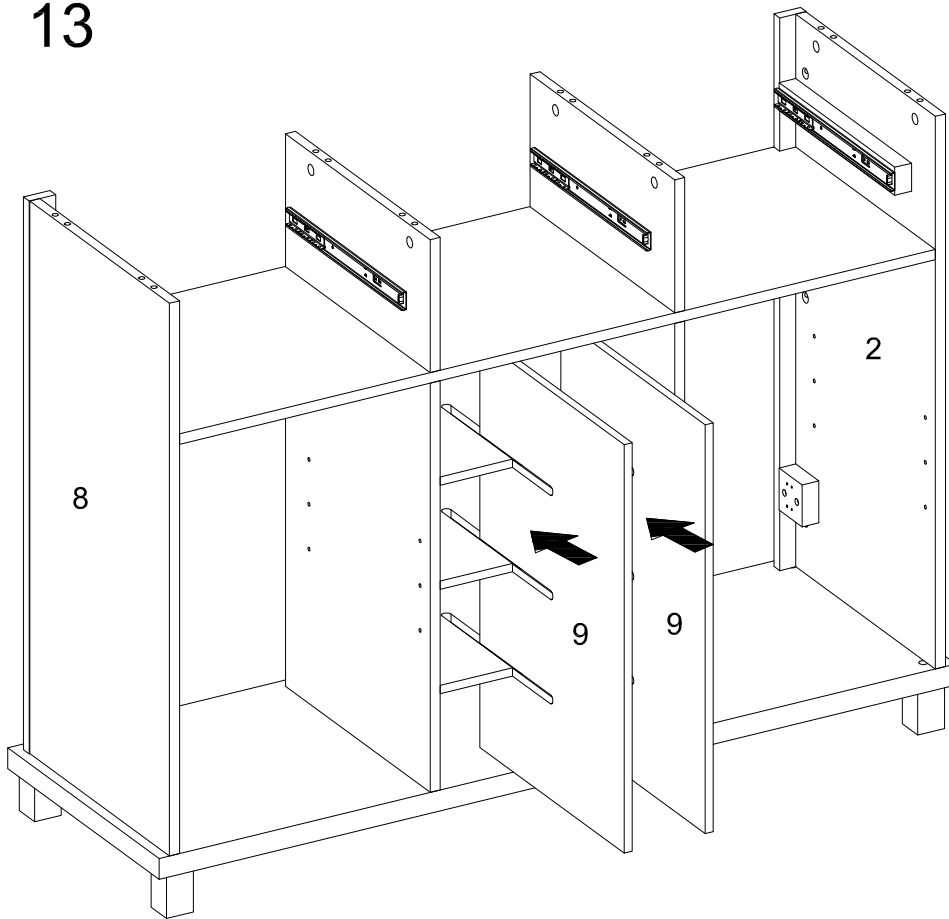
Step 11



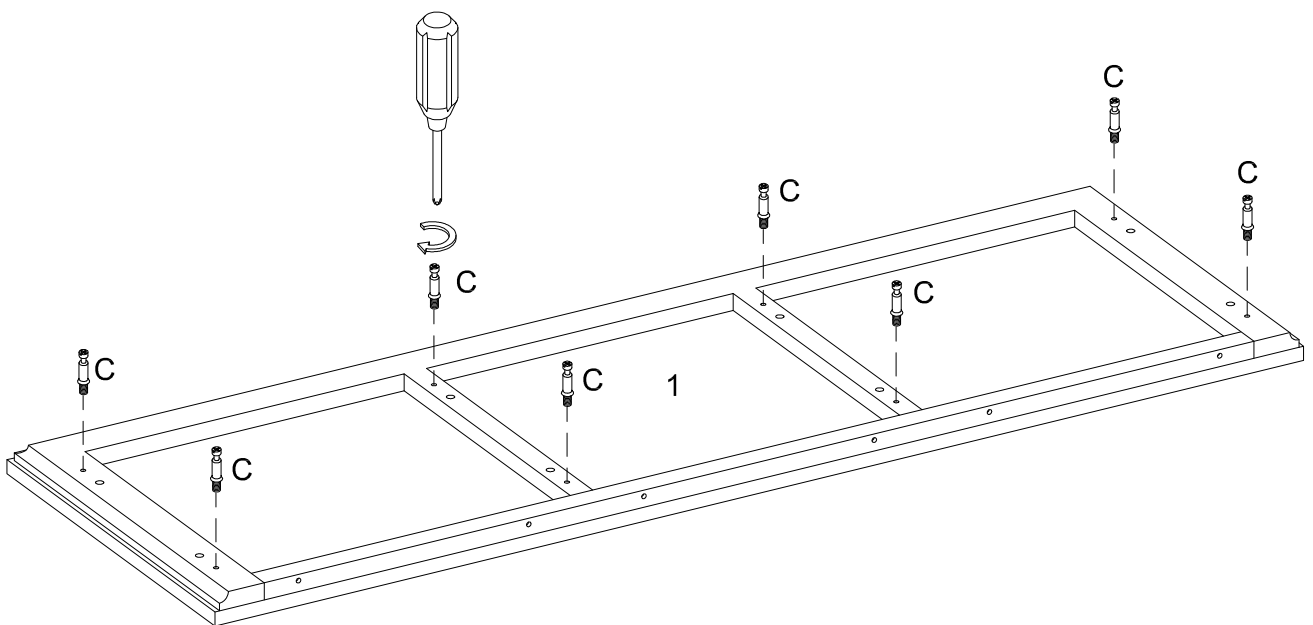
Step 12



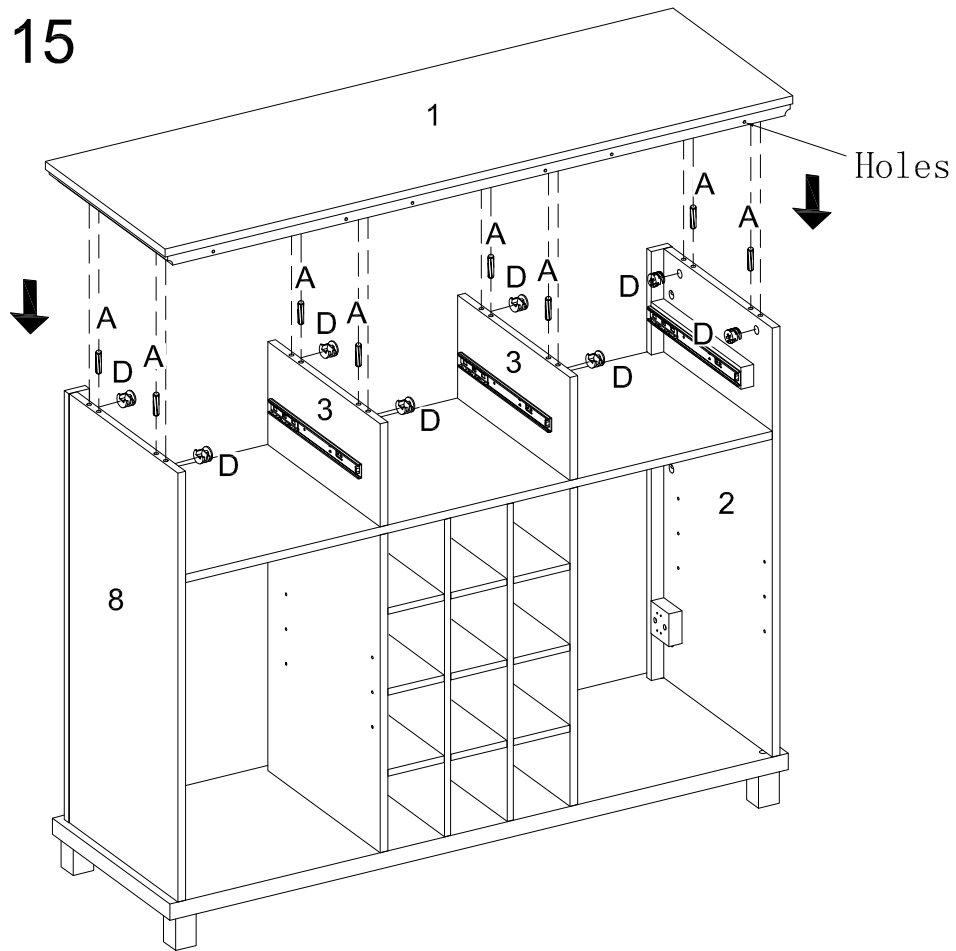
Step 13



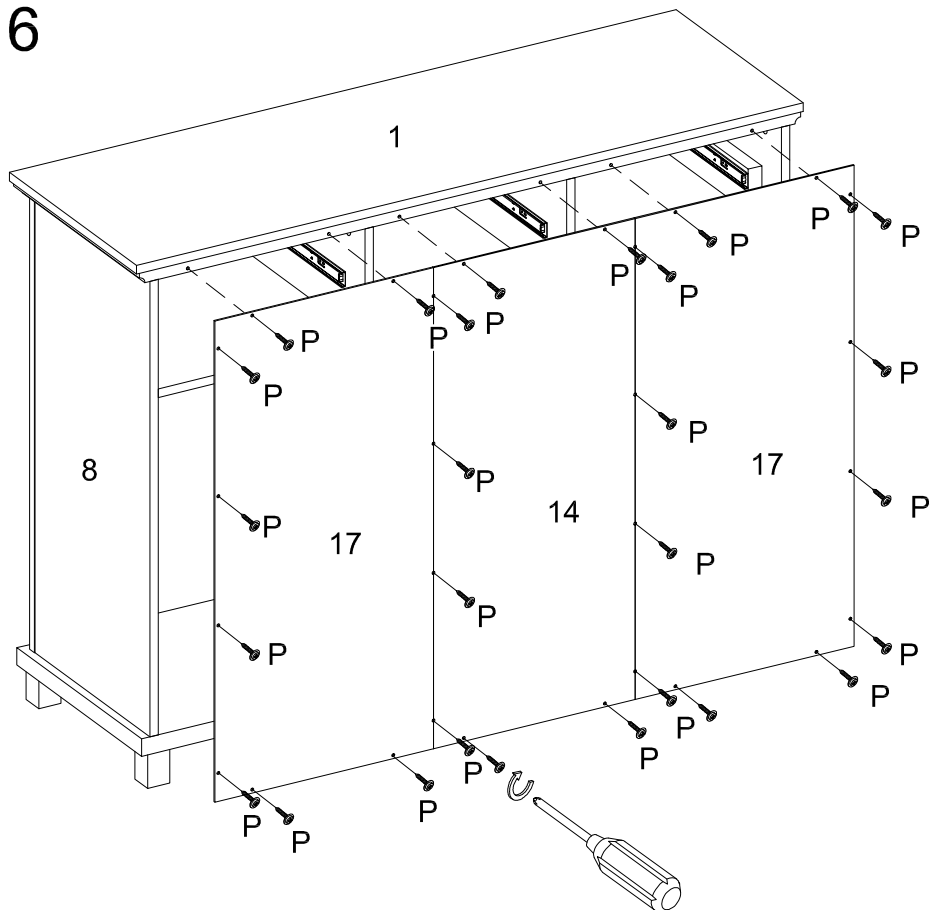
Step 14



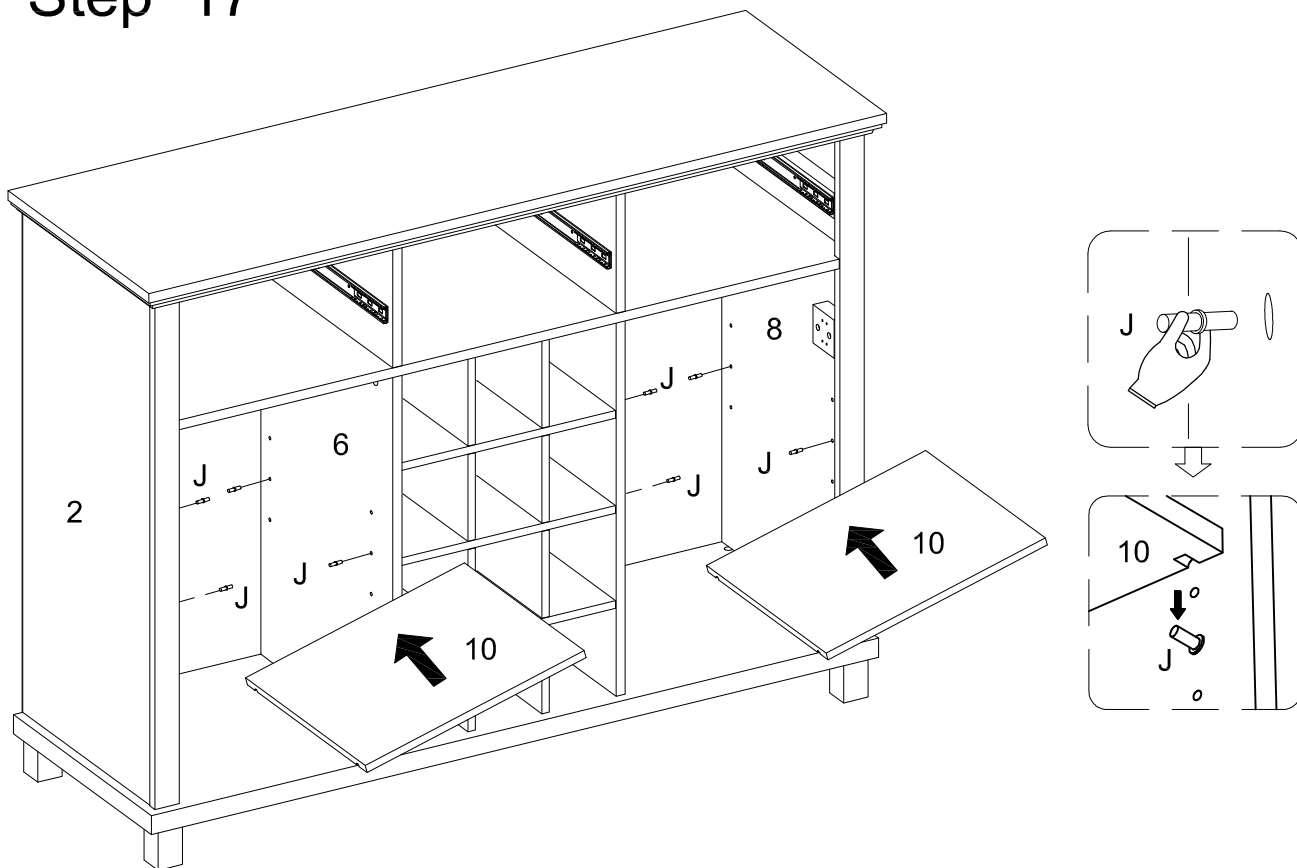
Step 15



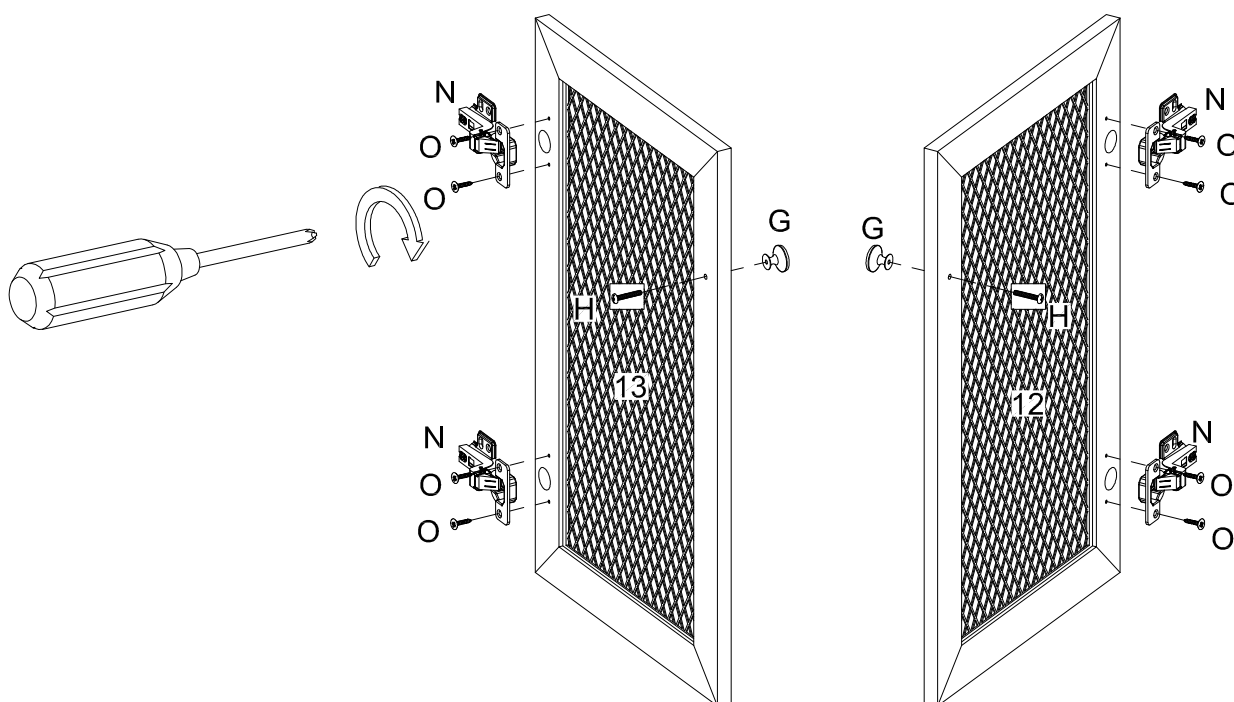
Step 16



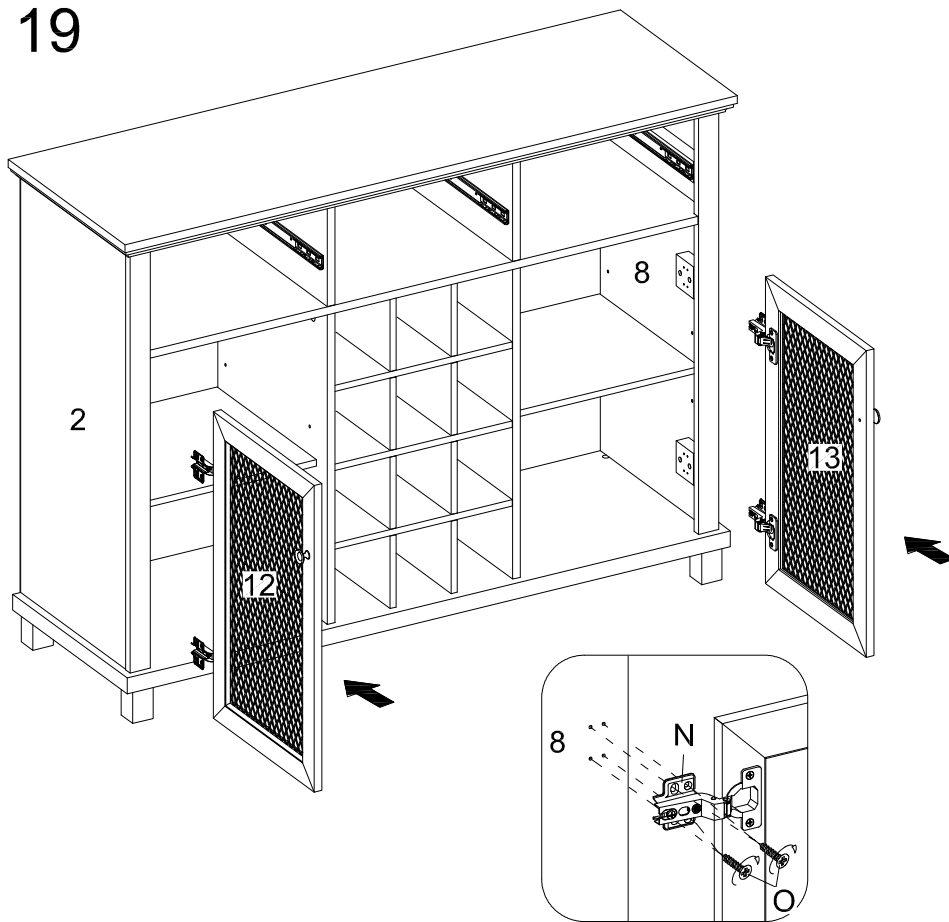
Step 17



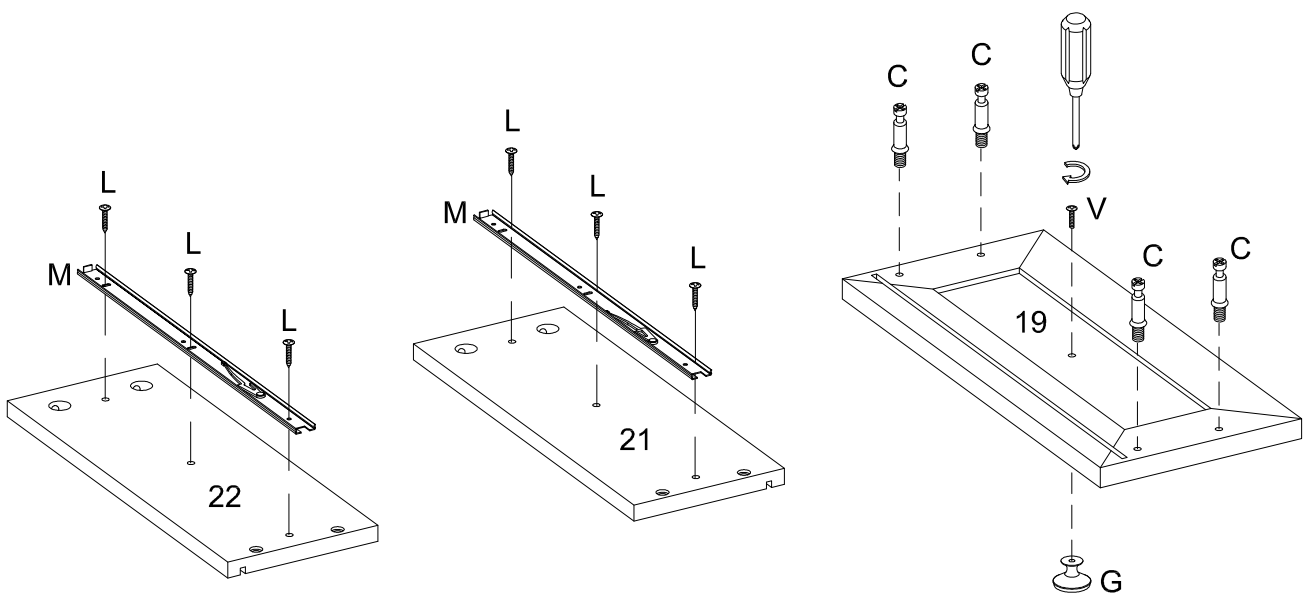
Step 18



Step 19



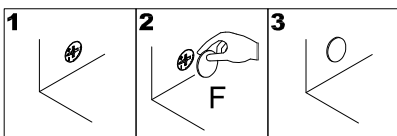
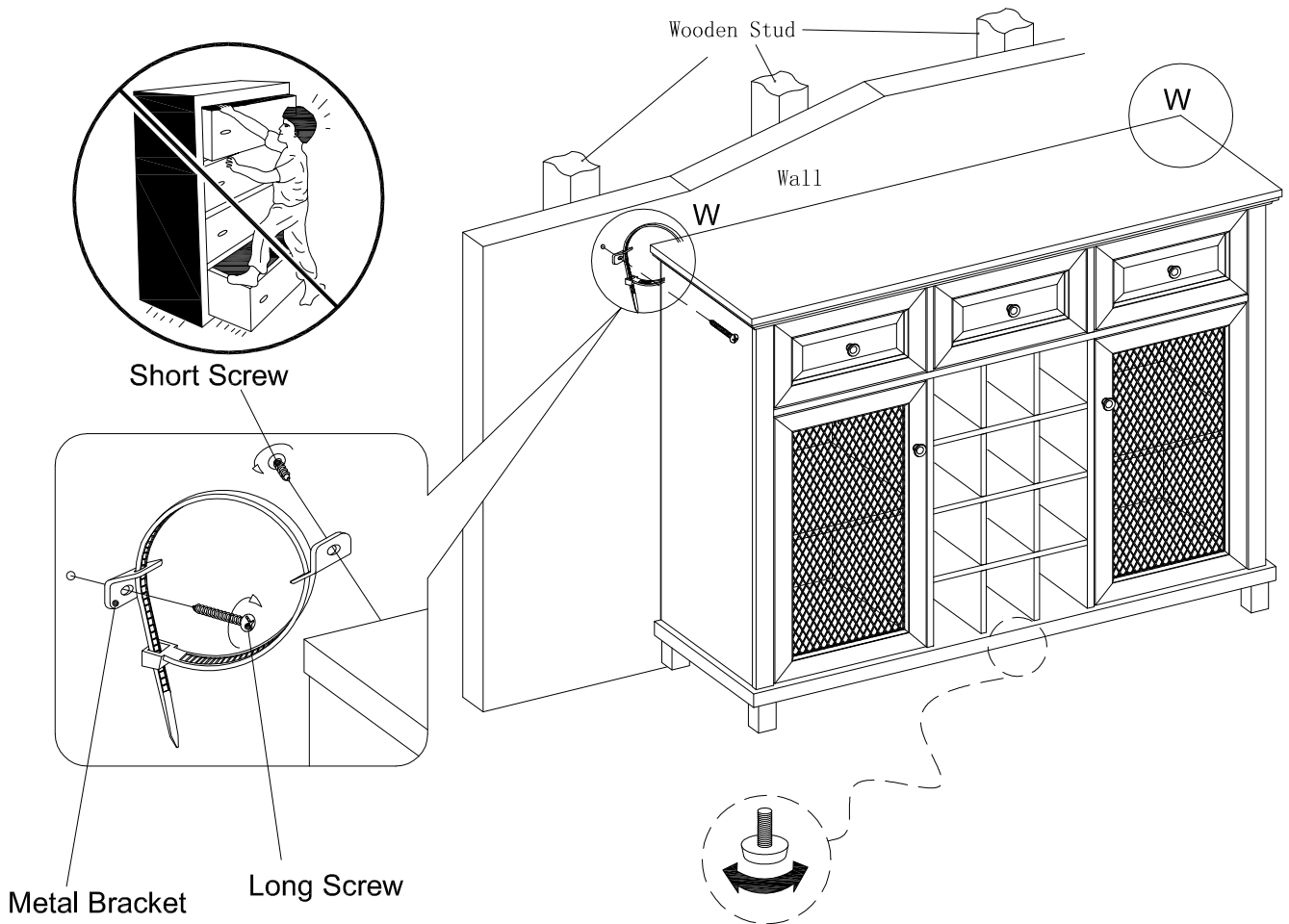
Step 20 x3



Step 23

WARNING

You must install the tip restraint hardware to help prevent any accidents or damage to the unit. We strongly recommend attaching the tip restraint hardware to a wall stud and your unit. For all other wall types, please visit your local hardware store to obtain the proper hardware.



Finally