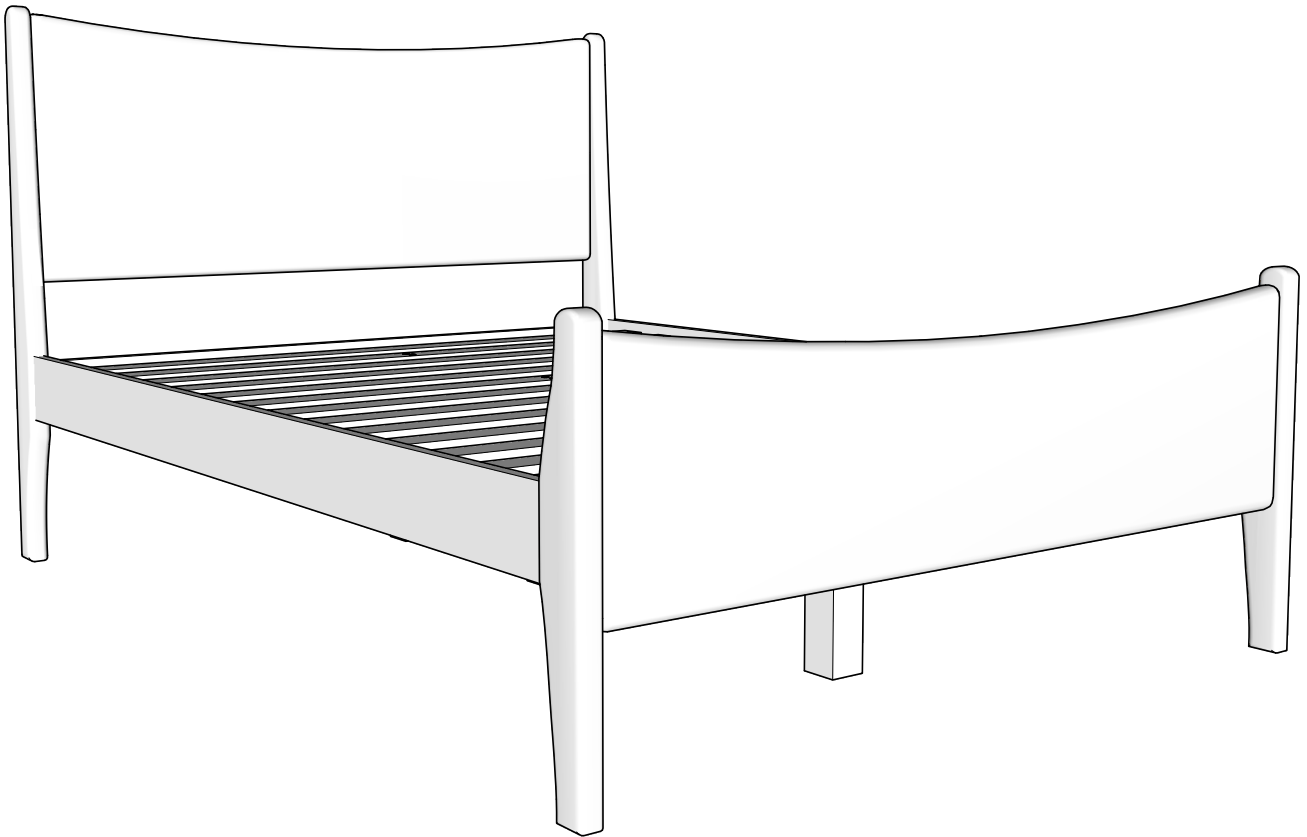


Queen Size
Installation & Assembly





IMPORTANT INFORMATION

Seller and Manufacturer disclaim all and any liability for property damage, personal injury, or loss, direct, indirect, or incidental, resulting from the incorrect assembly, inadequate maintenance, improper use, or neglect of this product.



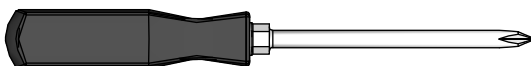
NOTICE

- Keep these assembly instructions for future reference.
- Do not use this product if there are missing, damaged, or broken parts until repairs are made and/or factory replacement parts are installed.
- Check all packing material carefully for small hardware that may have become loose inside the carton during shipment.
- Identify and count all hardware and parts to compare with parts and hardware list.
- Follow assembly instructions closely. Improper assembly can result in personal or property damage.
- Secure all bolts before use.
- Every 90 days check all bolts are secured.
- Some parts may have a sharp corner or edge and maybe heavy.
- Do not use or store this product near open flames or around flammable chemicals.
- When placing contents on non-carpeted flooring, it's recommended to use floor protection such as an area rug or furniture pads. These are not included with the purchase.
- Do not drag or push the bed frame. To ensure safe moving, always use two people to lift and re-position the bedframe. Avoid dragging or pushing it across the floor to prevent damage to the legs, slats, and the center support legs.

REPLACEMENT PART OR HARDWARE REQUEST:

Request a replacement by logging into the marketplace account in which the purchase was made and sending a message to the seller. To assist in expediting the request attach applicable images relevant to the request and/or part number and quantity.

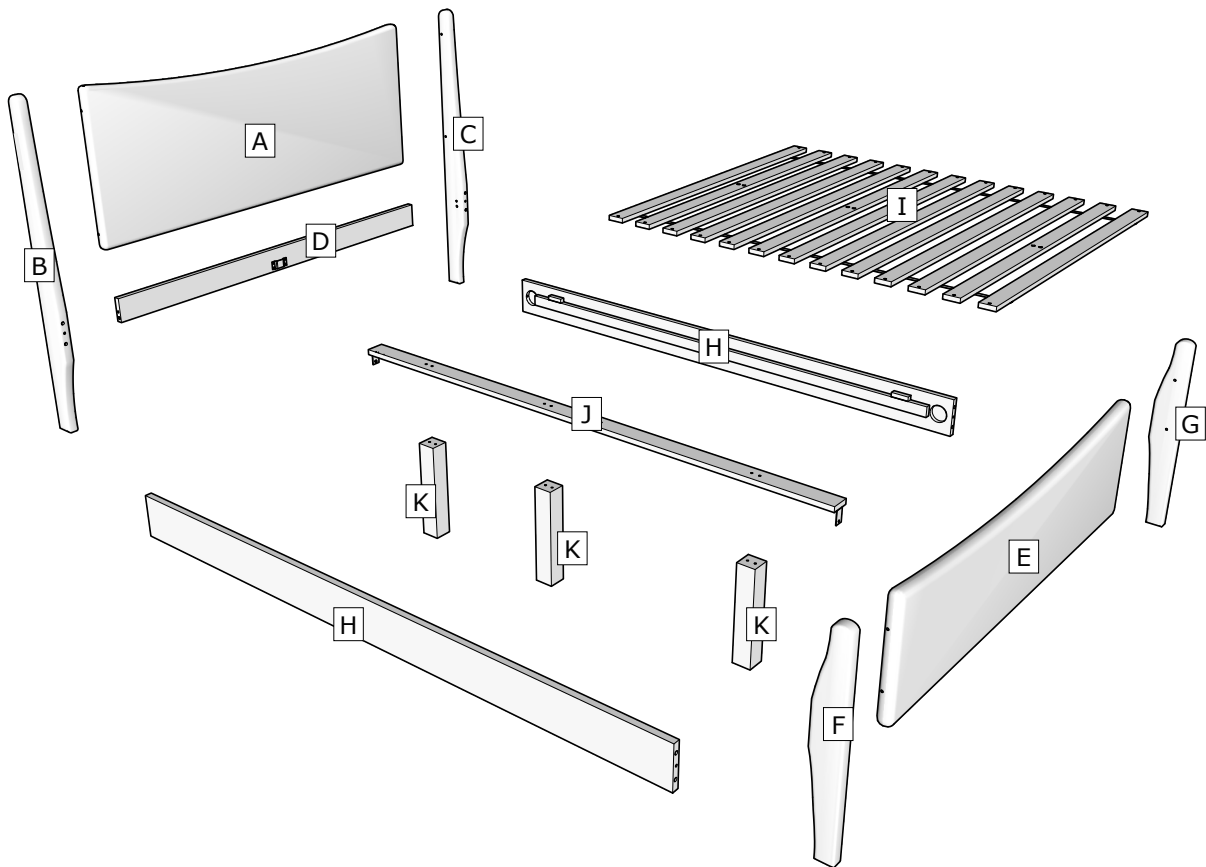
ADDITIONAL TOOL REQUIRED:



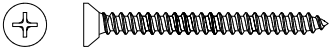
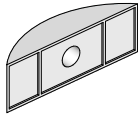
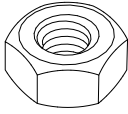
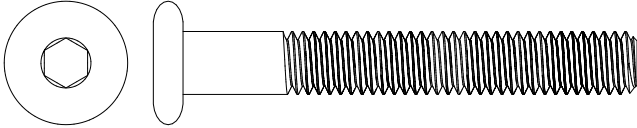
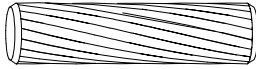
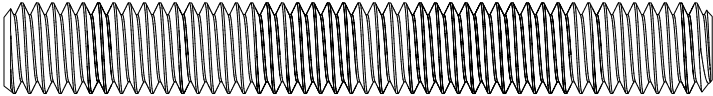
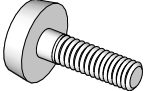

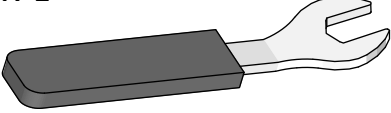
**#2 Philips Screwdriver
(Not Provided)**

BED PARTS





- A..... Headboard x 1
- B..... Headboard Post Left x 1
- C..... Headboard Post Right x 1
- D..... Headboard Rail x 1
- E..... Footboard x 1
- F..... Footboard Foot Left x 1
- G..... Footboard Foot Right x 1
- H..... Side Rail x 2
- I Bed Slat x 13
- J Slat Support x 1
- K..... Support Leg x 3

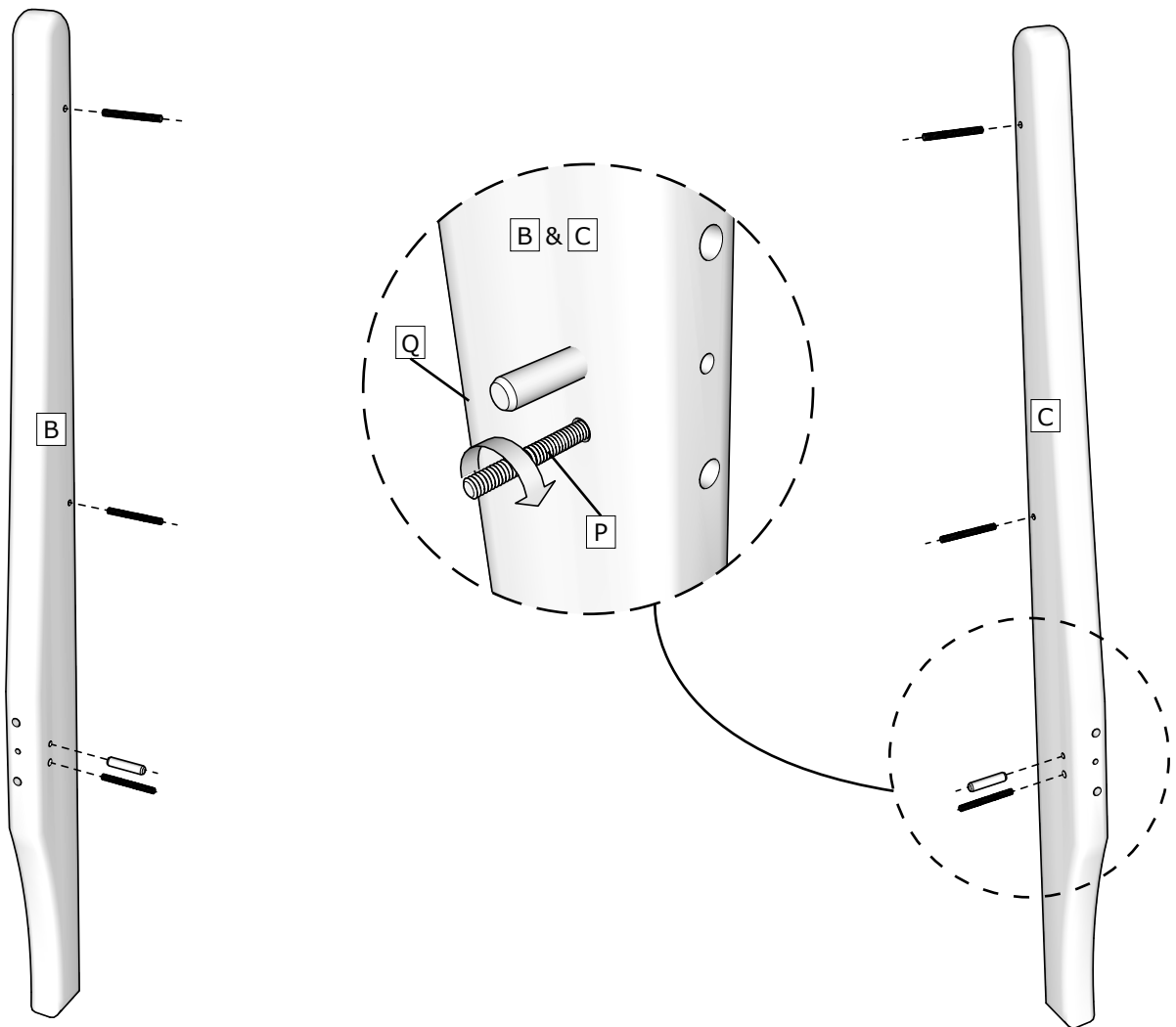


HARDWARE

<p>L Screw x 26  M4 x 32mm</p>	<p>M Half Moon Washer x 14  M8 x 30mm</p>	<p>N Hex Nut x 14  M8</p>
<p>O Bolt x 6  M6 x 60mm</p>	<p>P Dowel x 10  M10 x 40mm</p>	
<p>Q Threaded Rod x 14  M8 x 65mm</p>	<p>R Adjustable Feet x 3 </p>	
<p>S Hex Key Wrench x 1  M4</p>	<p>T Open End Wrench x 1  M8</p>	



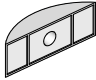

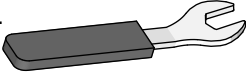
BED ASSEMBLY STEP 1

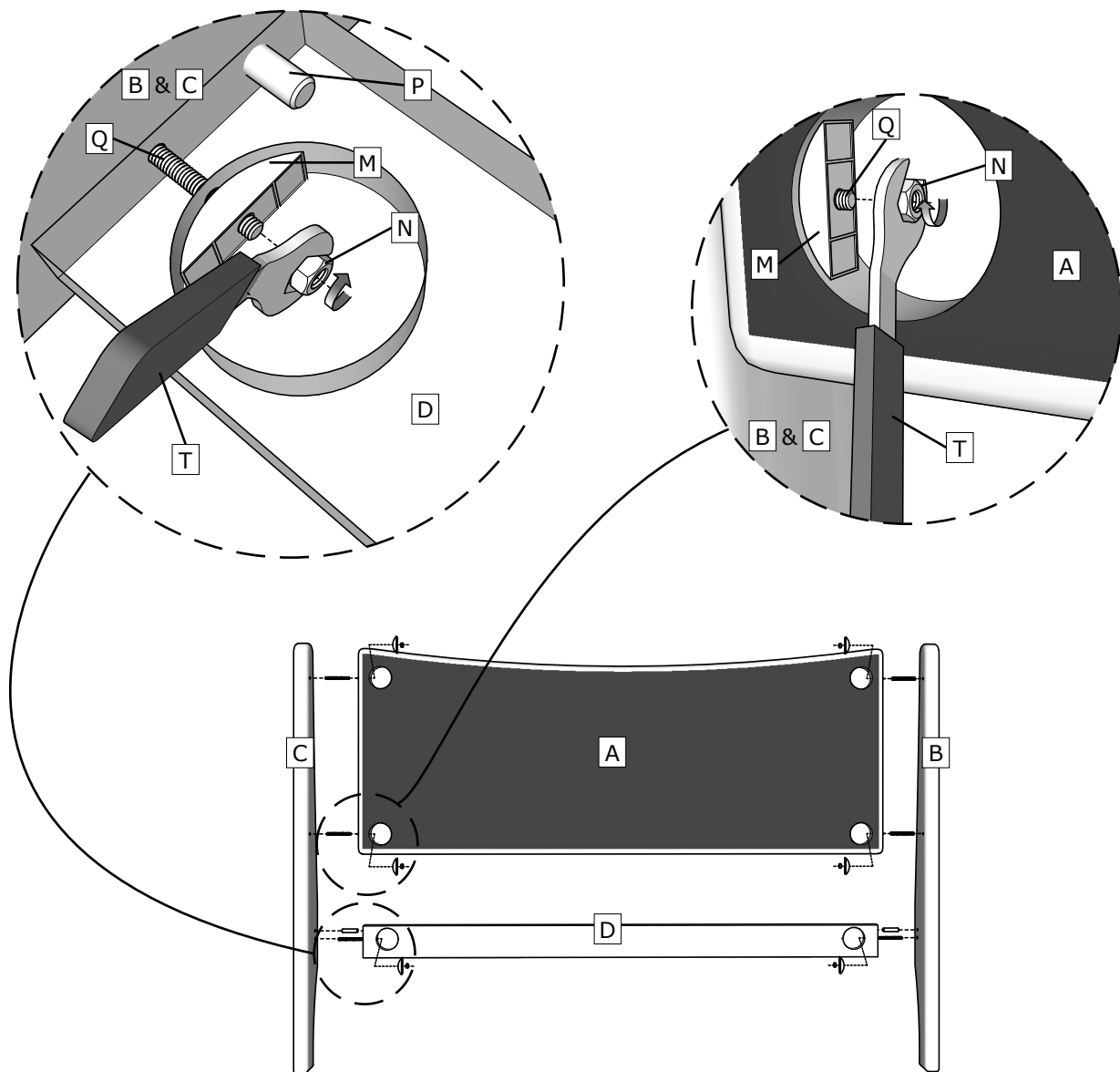
B Headboard Post Left x1		C Headboard Post Right x1		P Dowel x2 M10 x 40mm		Q Threaded Rod x6 M8 x 65mm	
--	---	---	---	---------------------------------------	--	---	---



Insert **P** and **Q** into **B** and **C**.




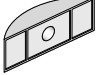


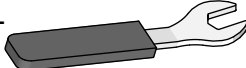
BED ASSEMBLY STEP 2

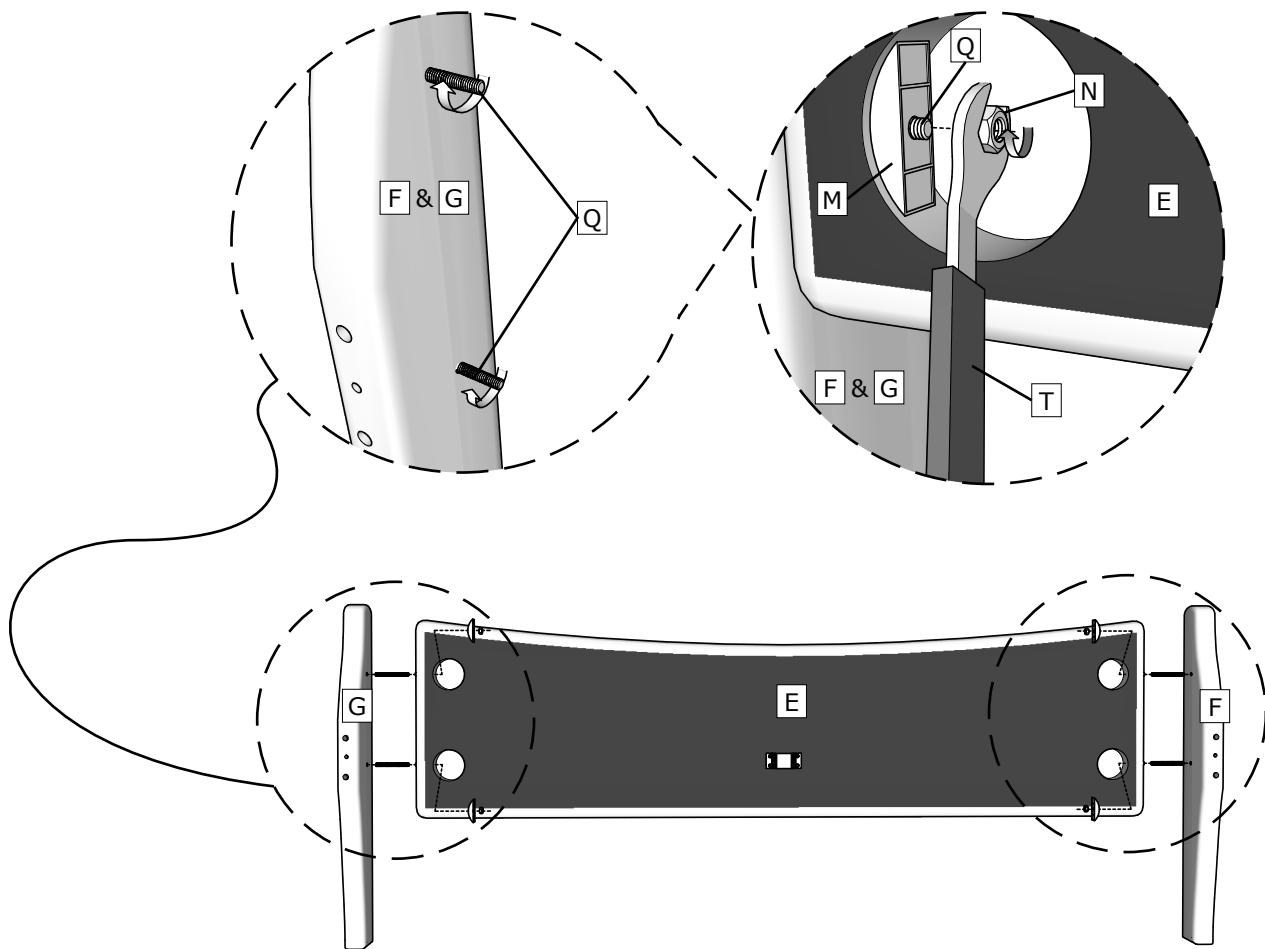
A x1 Headboard 	D x1 Headboard Rail 	M x6 Half Moon Washer M8 x 30mm 	N x6 Hex Nut M8 
T x1 Open End Wrench M8 			



Attach **A** and **D** to **C** and **B** with **M** and **N** using an Open End Wrench **T** as shown.

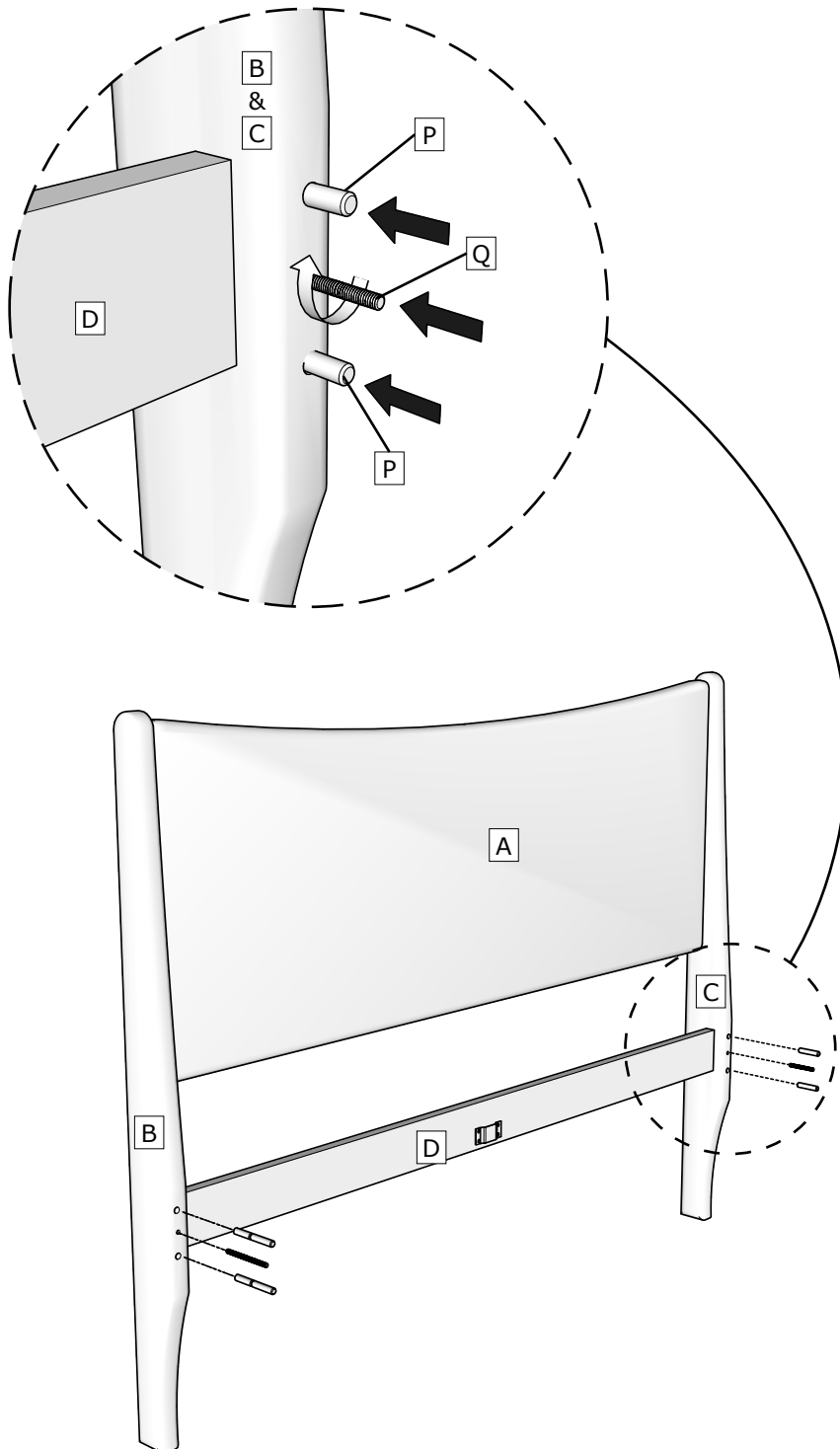
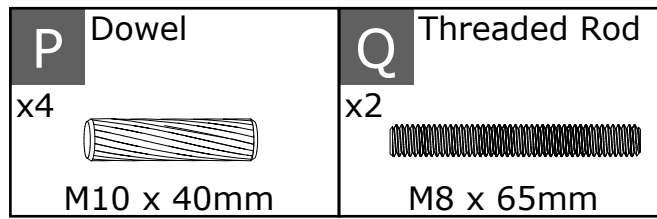
BED ASSEMBLY STEP 3

E Footboard x1 	F Footboard Foot Left x1 	G Footboard Foot Right x1 	M Half Moon Washer x4  M8 x 30mm
N Hex Nut x4  M8	Q Threaded Rod x4  M8 x 65mm	T Open End Wrench x1  M8	



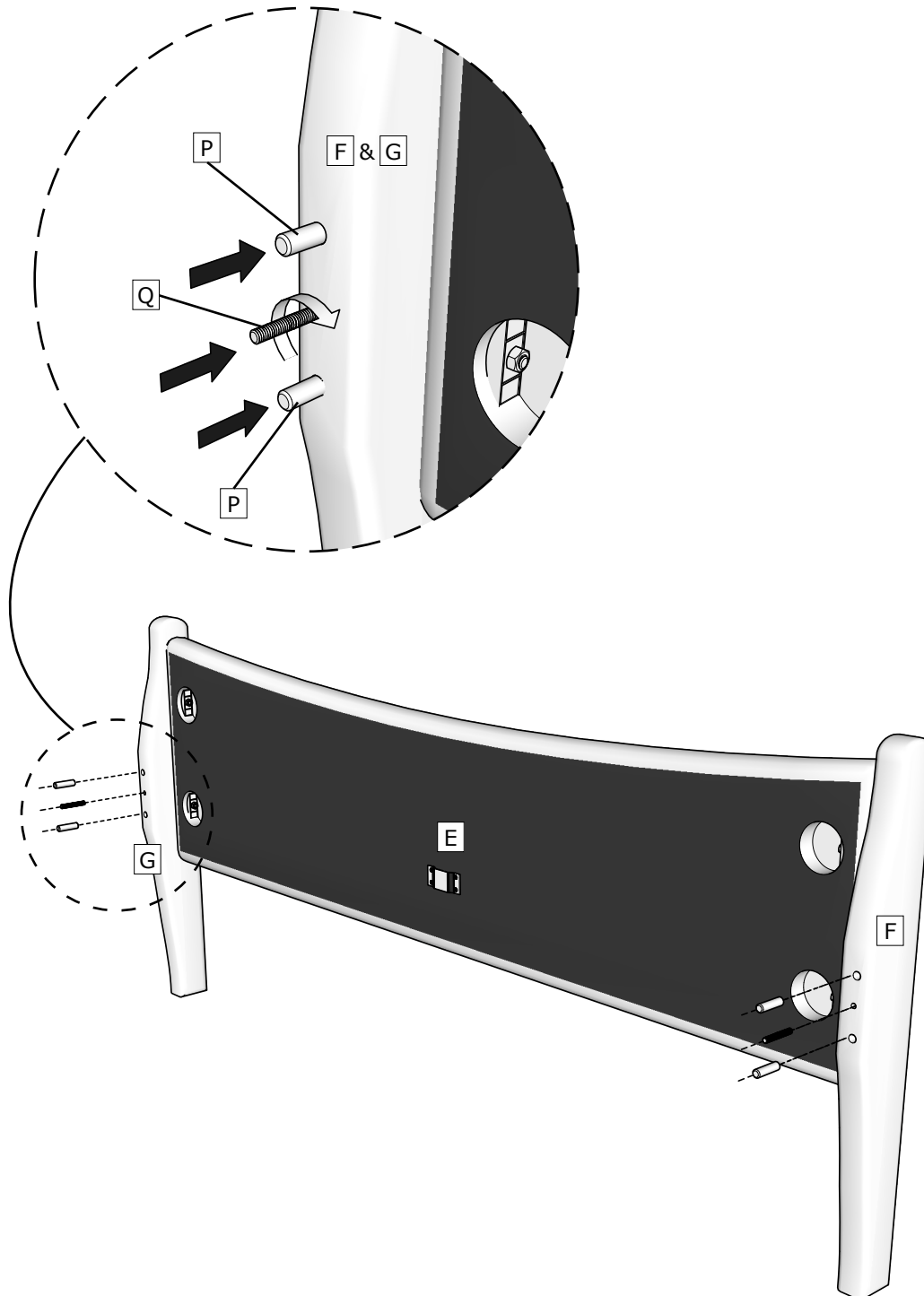
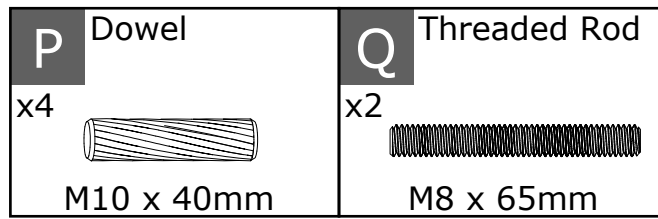
Insert **Q** into **F** and **G**.
Attach **F** and **G** to **E** with **M** and **N** using an Open End Wrench **T** as shown.

BED ASSEMBLY STEP 4



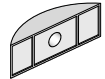

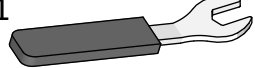
Insert **P** and **Q** into **B** and **C** as shown.

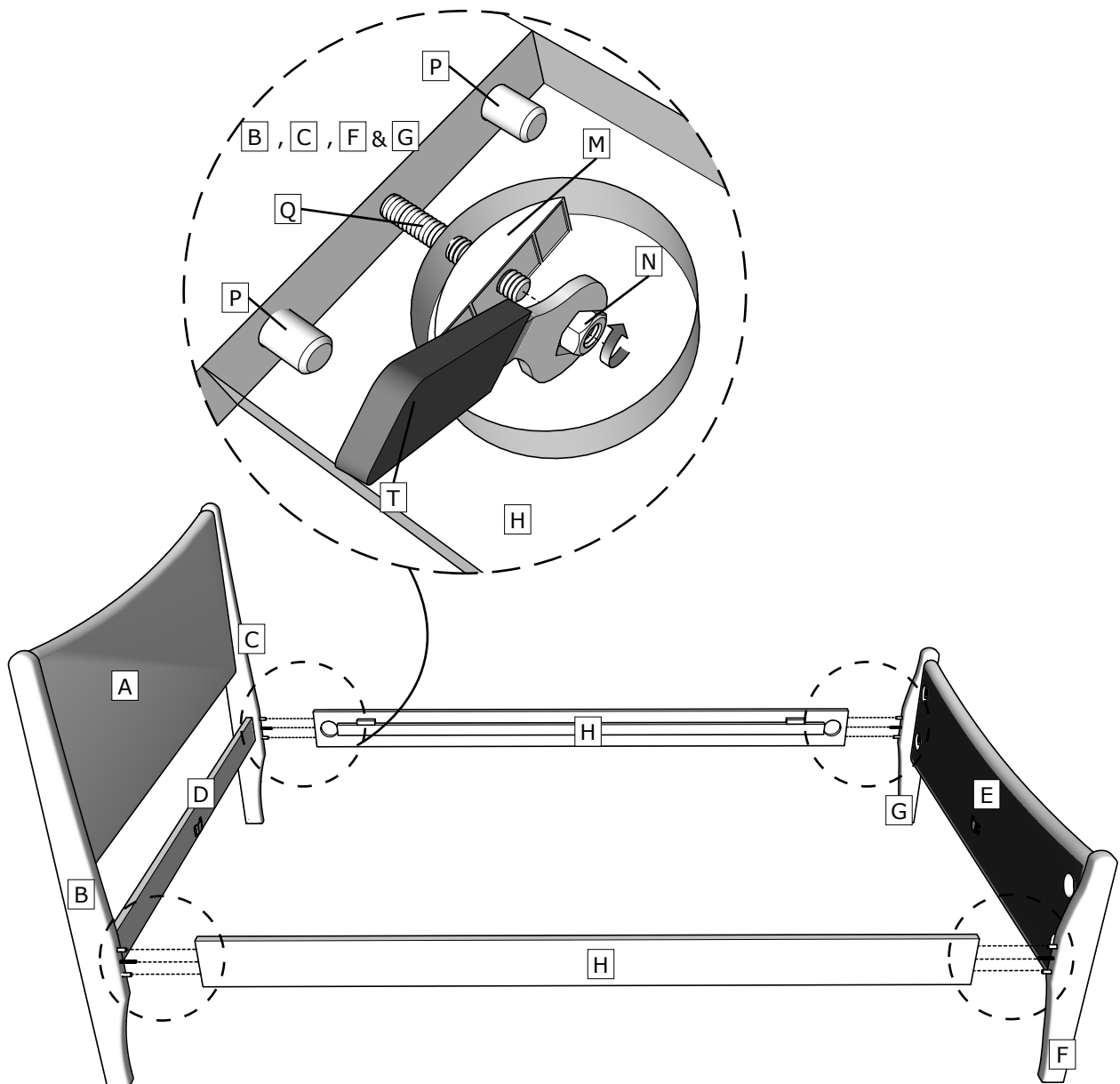
BED ASSEMBLY STEP 5



Insert **P** and **Q** into Assembled Footboard as shown.



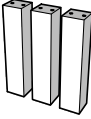

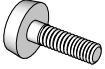

BED ASSEMBLY STEP 6

M	Half Moon Washer	N	Hex Nut	T	Open End Wrench
x4		x4		x1	
	M8 x 30mm		M8		M8



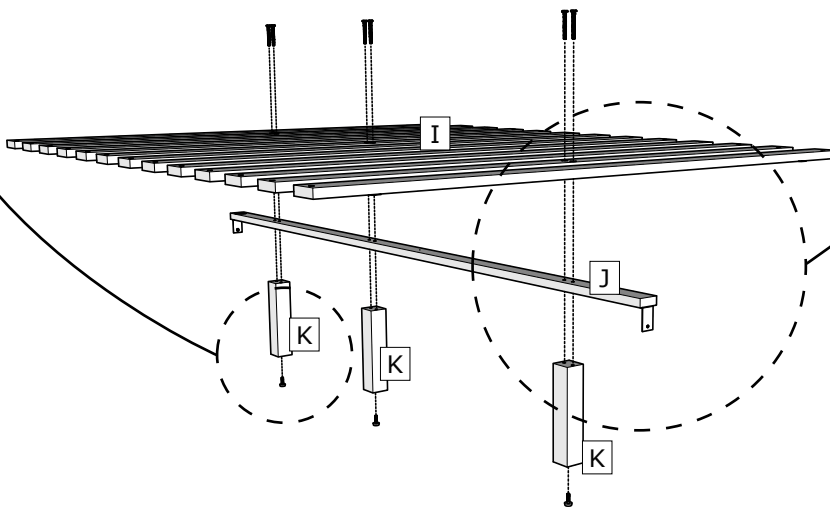
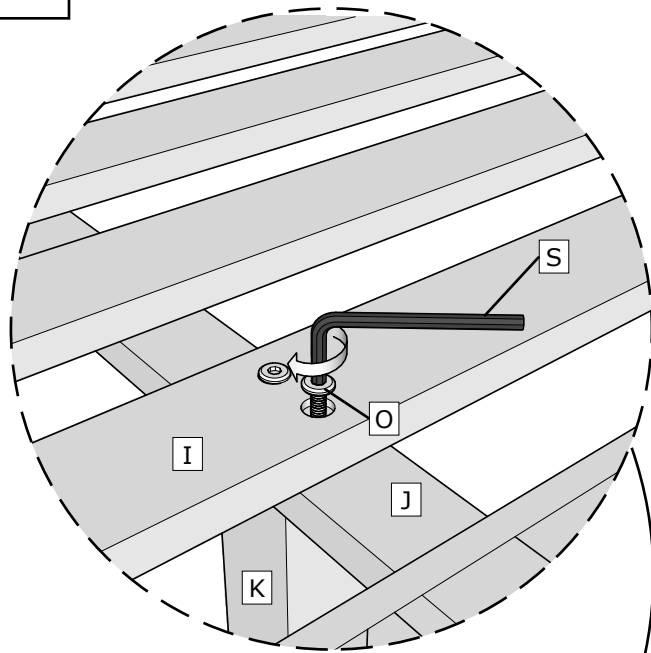
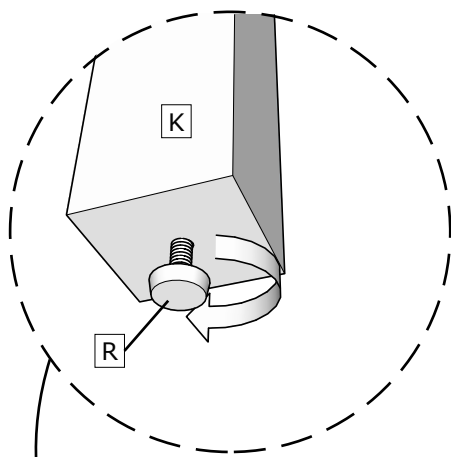
Attached Assembled Headboard and Assembled Footboard to Assembled Side Rail with **M** and **N** using an Open End Wrench **T**.

BED ASSEMBLY STEP 7

I Bed Slat x13 	J Slat Support x1 	K Support Leg x3 	O Bolt x6 M6 x 60mm 
R Adjustable Feet x3 	S Hex Key Wrench x1 M4 		

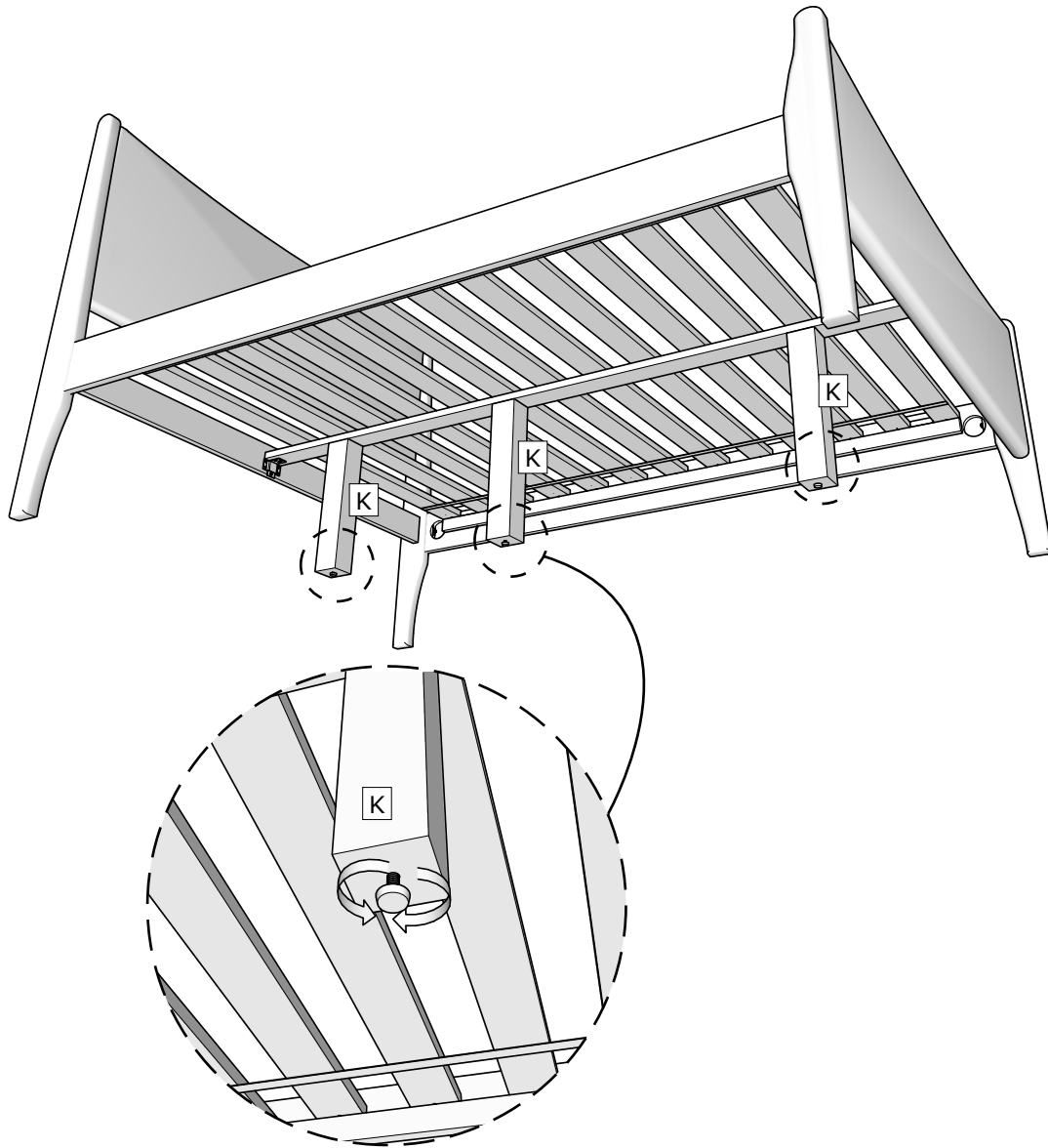
Note:

See Bed Assembly Step 9 to properly adjust part **R**



Insert **R** into **K**. Attach **K** and **I** to **J** with **O** using a Hex Key Wrench **S** as shown.

BED ASSEMBLY STEP 9



WARNING!

- Ensure the adjustable feet are perpendicular to the floor before using the bed. Rotate them clockwise or counterclockwise until firmly against the floor.

Note: *The adjustable feet rotate to fit the floor; one may need clockwise rotation while the other counterclockwise, depending on leveling and assembly.*

- Do not drag or push the bed frame. To ensure safe moving, always use two people to lift and re-position the bed frame. Avoid dragging or pushing it across the floor to prevent damage to the legs, slats, and center support legs.