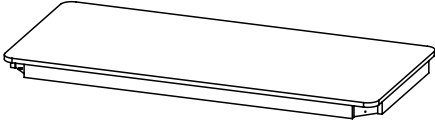
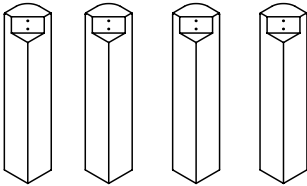


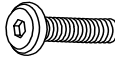

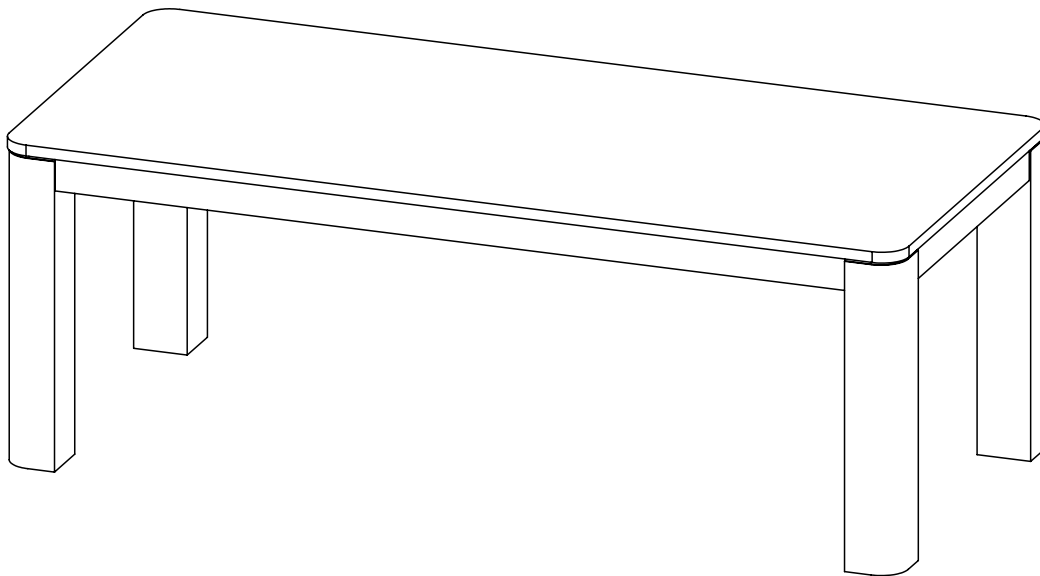


# ASSEMBLY INSTRUCTIONS

## SKU# 51011882

### PARTS LIST

<b>A</b>	<b>TOP x1</b>		<p><b>Before Beginning</b></p> <ol style="list-style-type: none"> <li>1 - Carefully unpack and position the item on a clean, non-marring surface to assemble.</li> <li>2 - Read this Assembly Instructions from beginning to end before starting to assemble.</li> <li>3 - Take an inventory of the required parts to ensure all are available.</li> </ol>			
<b>B</b>	<b>LEGS x4</b>		<ol style="list-style-type: none"> <li>4 - To prevent accidental choking hazards, keep all packing materials away from small children.</li> <li>5 - Only tighten hardware until ALL hardware are fully engaged on their locations. Overtighten bolts will damage the bolt threads.</li> <li>6 - Use only factory provided hardware to assemble. Unapproved hardware can damage product or jeopardize the structural integrity of the product.</li> <li>7 - The use of power tool to assemble is not recommended due to high risk of over-torque, which can damage the product.</li> </ol>			
<b>Z</b>	<b>HARDWARE</b>	<p><b>Z1</b></p>  <p><b>Ø15 x Ø10MM x 8</b></p>	<p><b>Z2</b></p>  <p><b>Ø25 x Ø10MM x 8</b></p>	<p><b>Z3</b></p>  <p><b>M8 x 50MM x 8</b></p>	<p><b>Z4</b></p>  <p><b>M5 x 110MM x 1</b></p>	



**TWO PEOPLE**



**10-MINUTE  
ASSEMBLY TIME**



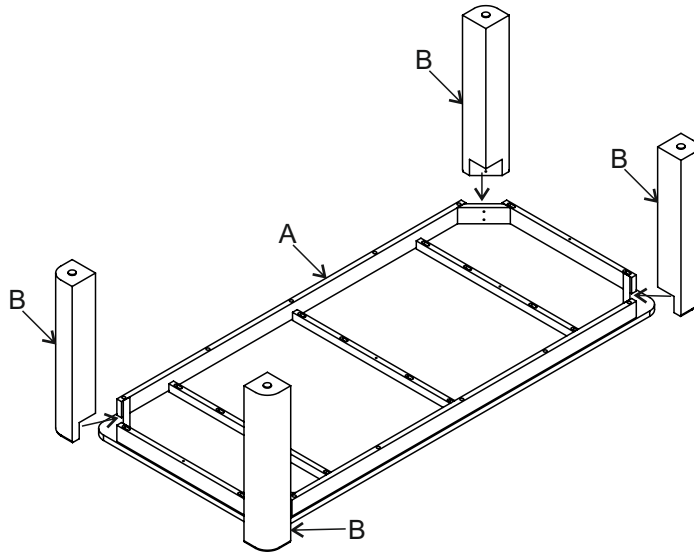
**KEEP INSTRUCTIONS  
FOR FUTURE USE**



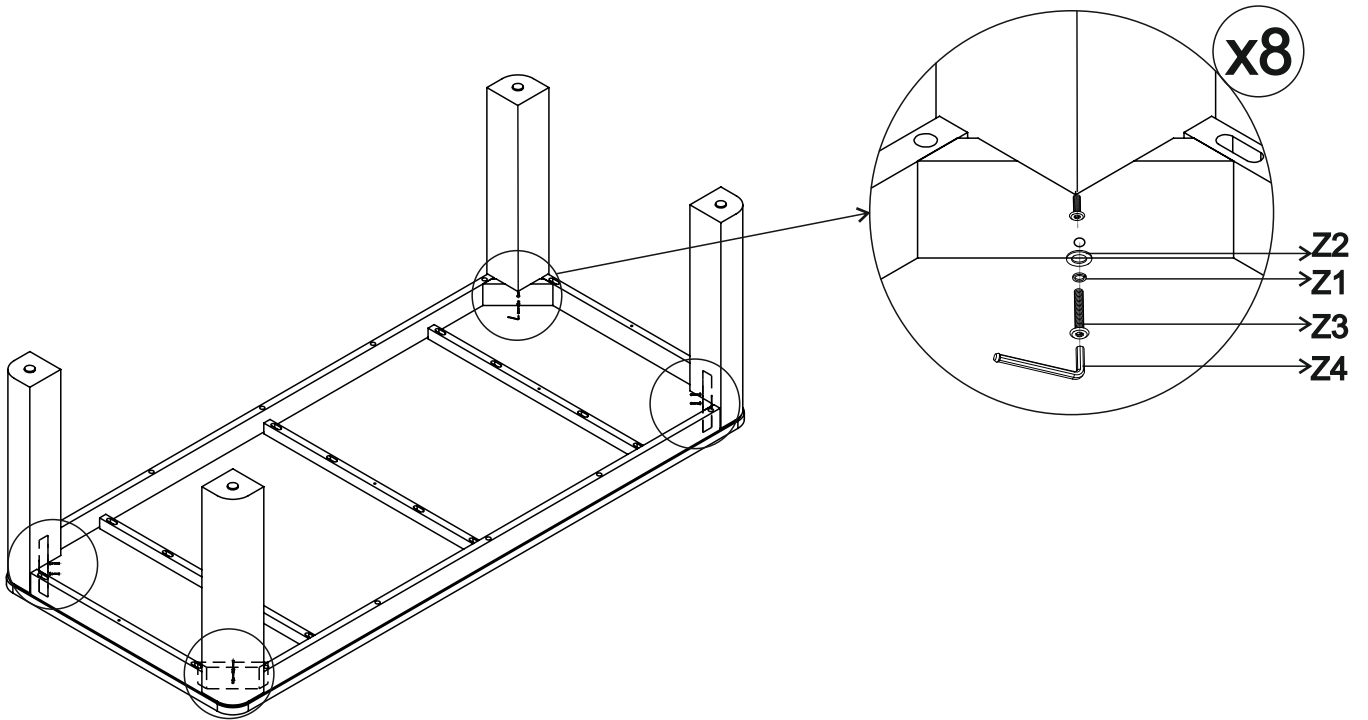
# ASSEMBLY INSTRUCTIONS

SKU# 51011882

1



2



3

