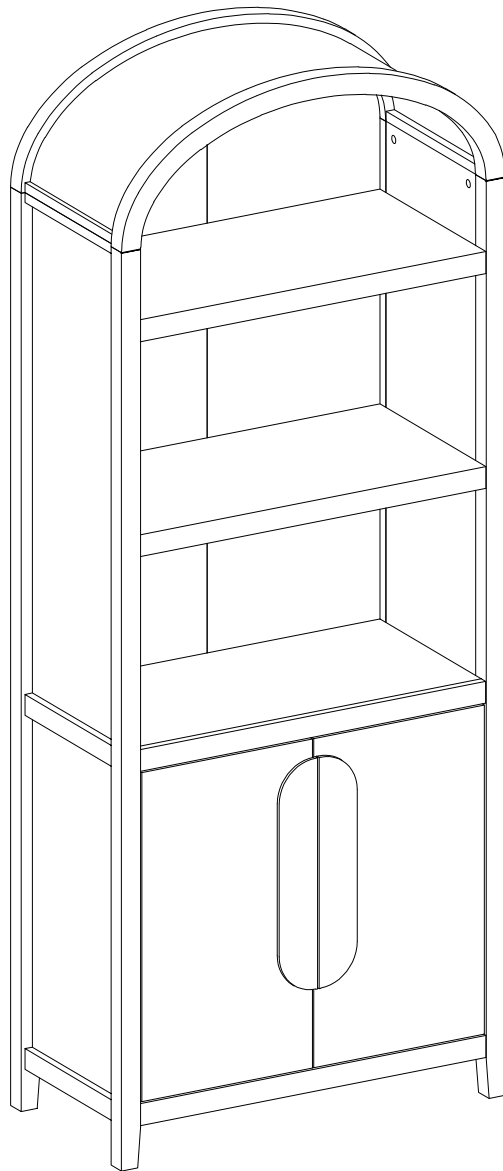


Cabinet Bookcase



Time to get started

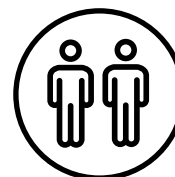
Set up a clean and soft workplace to get started and avoid damage during the assembly. It also helps to double-check you've got all the pieces and parts before diving in to assembly.

Estimated time for assembly



People recommended for assembly

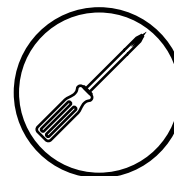
Make it a team effort! Grab a friend for quicker, easier assembly.



2 People Build

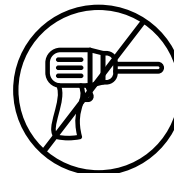
Tools Needed

Grab a Phillips head screwdriver to conquer this assembly



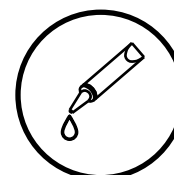
Use power tools with caution

You can cause cracking or damage to the material and easily strip the hardware. If you choose to use a power tool, your product will no longer be covered under warranty.



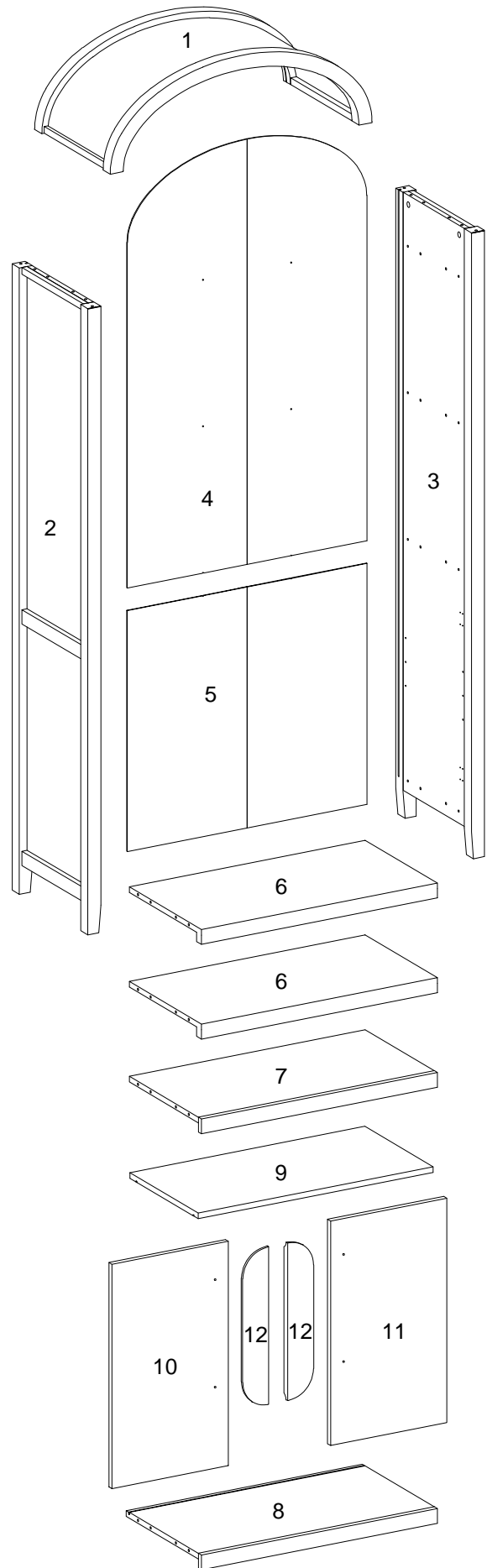
Glue is provided to secure wood dowels in place

When inserting dowels, locate the appropriate hole, place a small amount of glue in the hole, and then insert the dowel. Wipe away excess glue immediately.




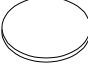


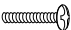
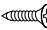
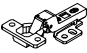


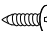



Parts List





Part Number	Description	Quantity
1	Arched Top Panel	1
2	Left Panel	1
3	Right Panel	1
4	Upper Back Panel	1
5	Lower Back Panel	1
6	Upper Fixed Shelf	2
7	Middle Fixed Shelf	1
8	Bottom Fixed Shelf	1
9	Cabinet Shelf	1
10	Left Cabinet Door	1
11	Right Cabinet Door	1
12	Handle	2



Hardware List

Part	Size	Name	Quantity
A	 8x30mm	Wooden dowel	24
B	 6x35mm	Cam bolt	20
C	 15x11mm	Cam lock	20
D	 30mm	Sticker	24
E	 7x3x12mm	Screw	6
F	 8x5x16mm	Shelf support pin	4
G	 4x25mm	Handle Bolt	4
H	 4x14mm	Screw	24
J	 35mm	Europe Hinge	4
K	 3x17mm	Screw	14
L	 Plastic Wedge	Plastic Wedge	14
M	 4x15mm	Screw	1
N	 4x25mm	Screw	1

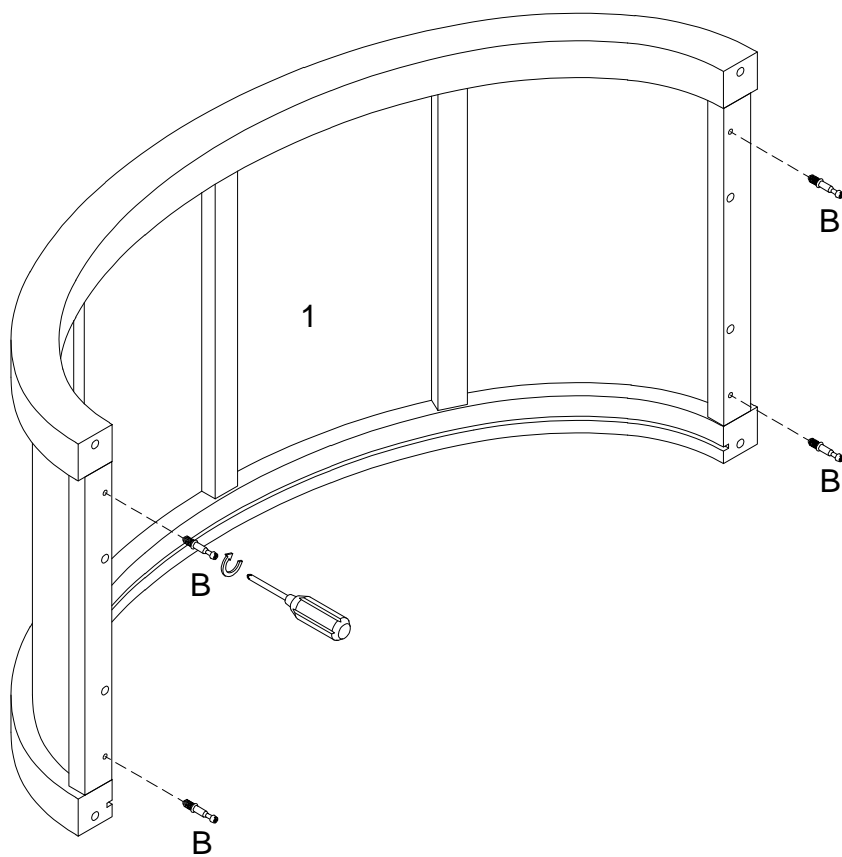
Hardware List

Part	Size	Name	Quantity
P		Plastic strap	1
Q		Wall Anchor	1
R		12x2mm Rubber pad	2
S		Glue tube	1

*The hardware quantities listed above are required for proper assembly.
Extra hardware pieces may be included.*

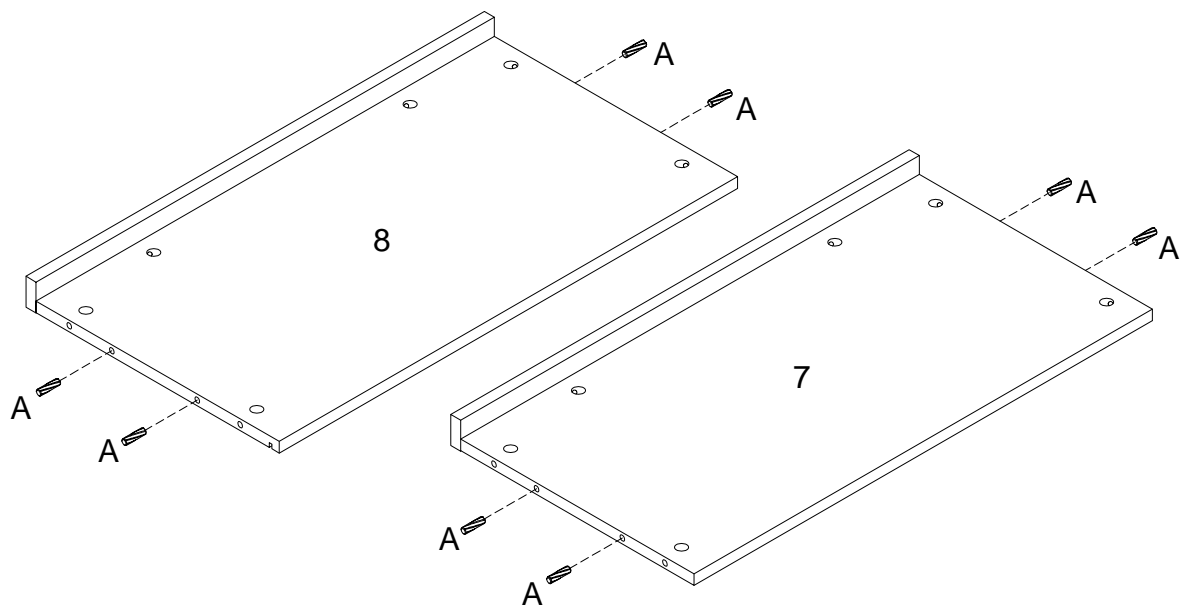
Step 1

Let's get started, shall we? Start by screwing Cam Bolts (B) into your Arched Top Panel (1).



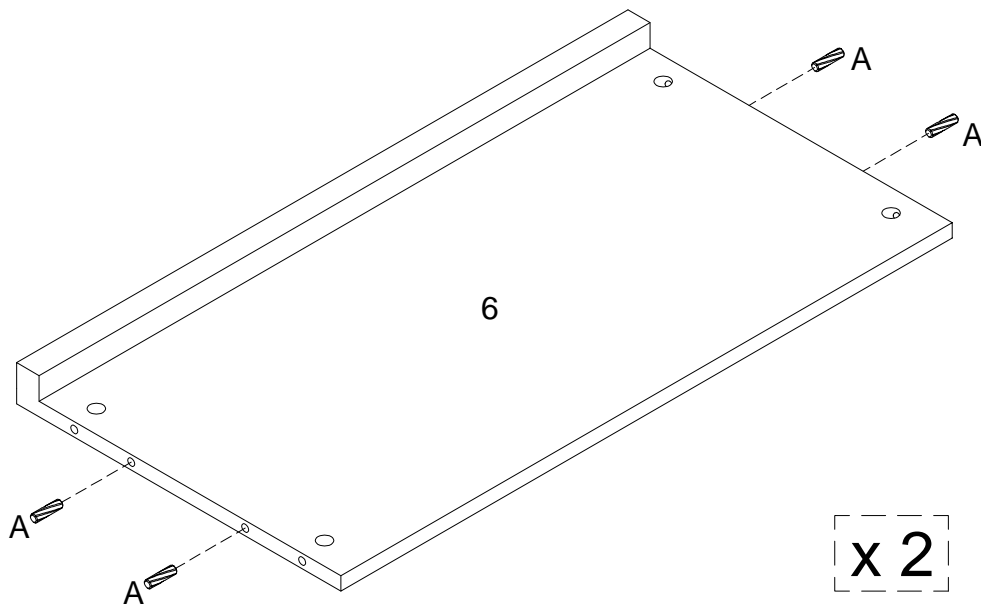
Step 2

Next, insert Wooden Dowels (A) into the Middle Fixed Shelf (7) and Bottom Fixed Shelf (8).



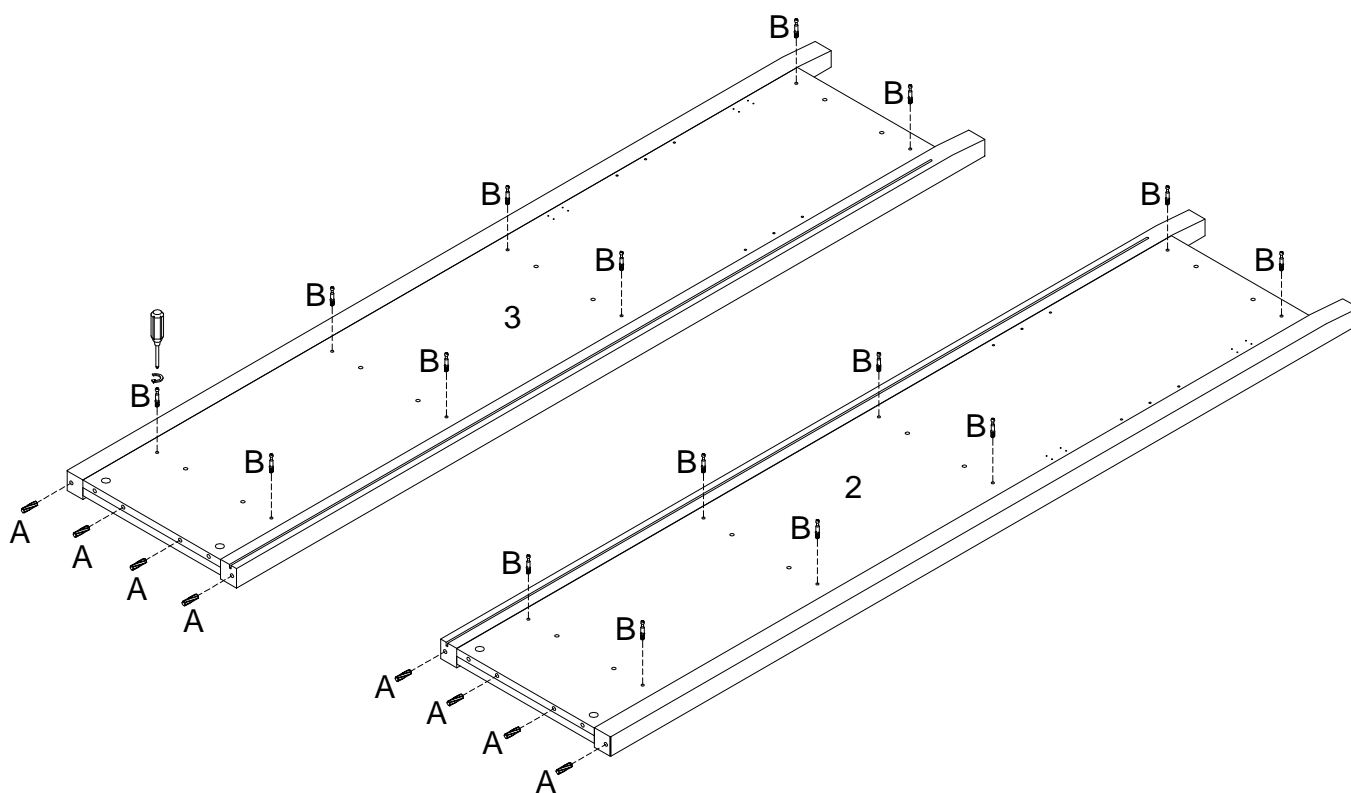
Step 3

Insert Wooden Dowels (A) into the two Upper Fixed Shelves (6).



Step 4

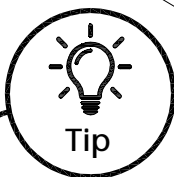
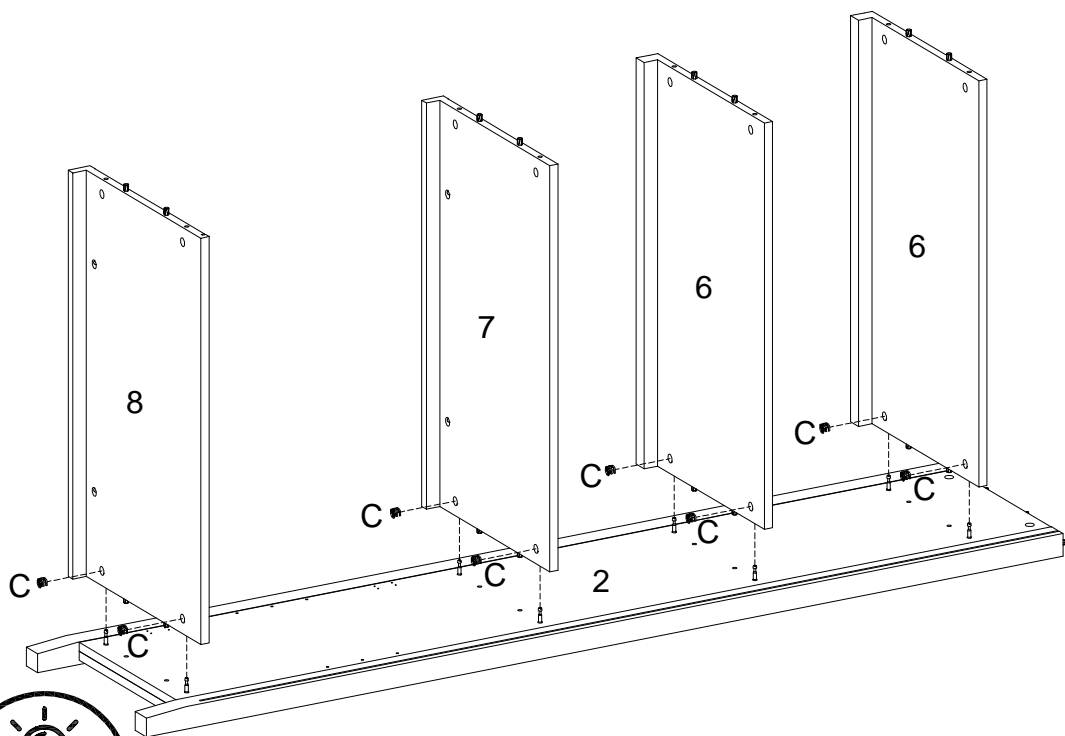
Screw your Cam Bolts (B) into the Left Panel (2) and Right Panel (3). Then, place 8 Dowels (A) into the dowel holes at the top of both panels.



Step 5

It's time to attach your shelves. Using the Left Panel (2), attach the Shelf Panels starting with (6) x 2, followed by (7), and lastly (8). Secure the panels with Cam Locks (C) and a screwdriver.

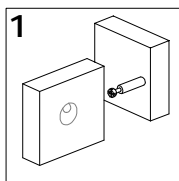
Tip: Ensure that the shelves are facing the right direction. Front Shelf Trim should be facing the front of the bookcase.



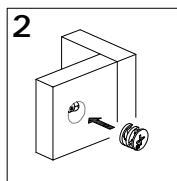
Tip

Cam Locks

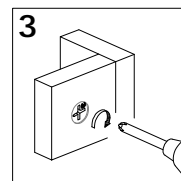
Cam Locks help securely join two pieces together. Follow these easy steps.



1: Insert Cam Bolt into bolt holes on the flat side. Don't over tighten!



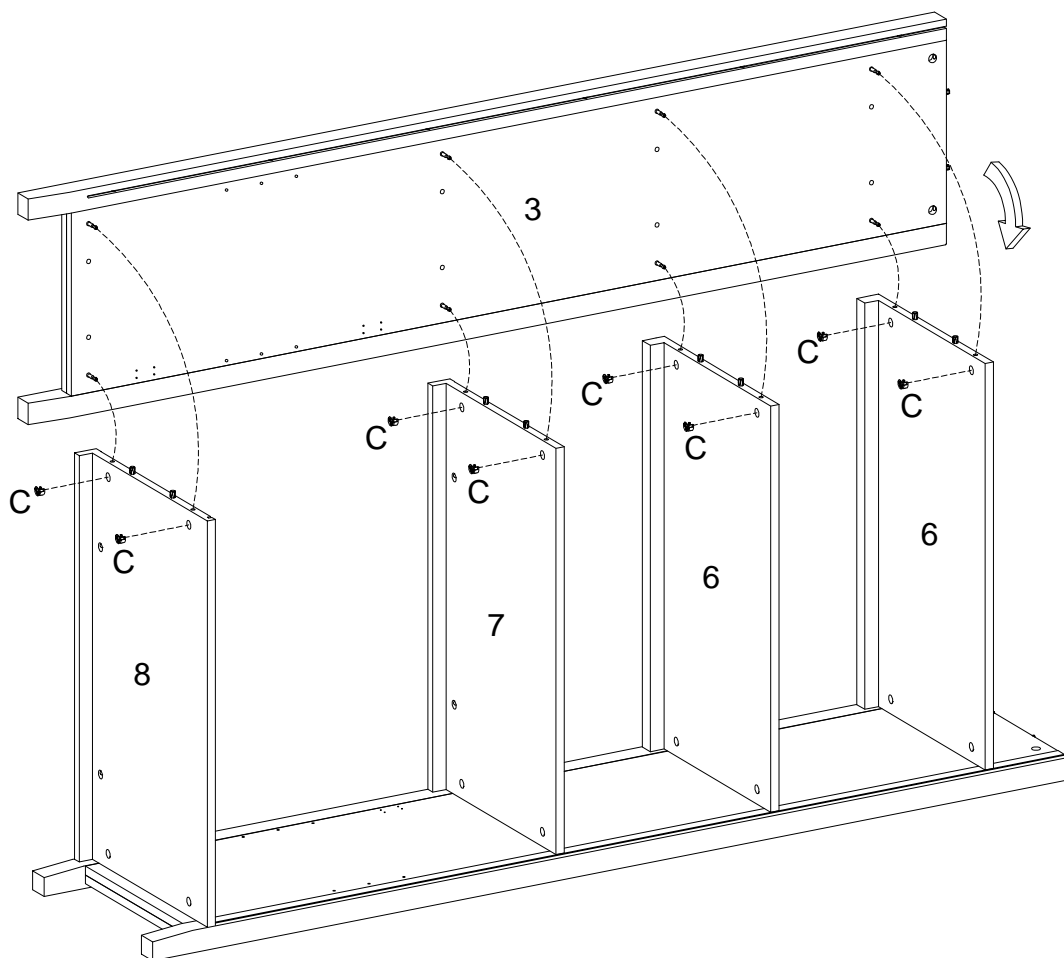
2: Fit the proper holes on the edge of the other part over the Cam Bolts. You should be able to see the cam bolts through the larger hole on the side.



3: On the back of the Cam Lock will be a "C" shape. Insert the Cam Lock so the opening of the "C" fits over the Cam Bolt. Tighten with the screwdriver.

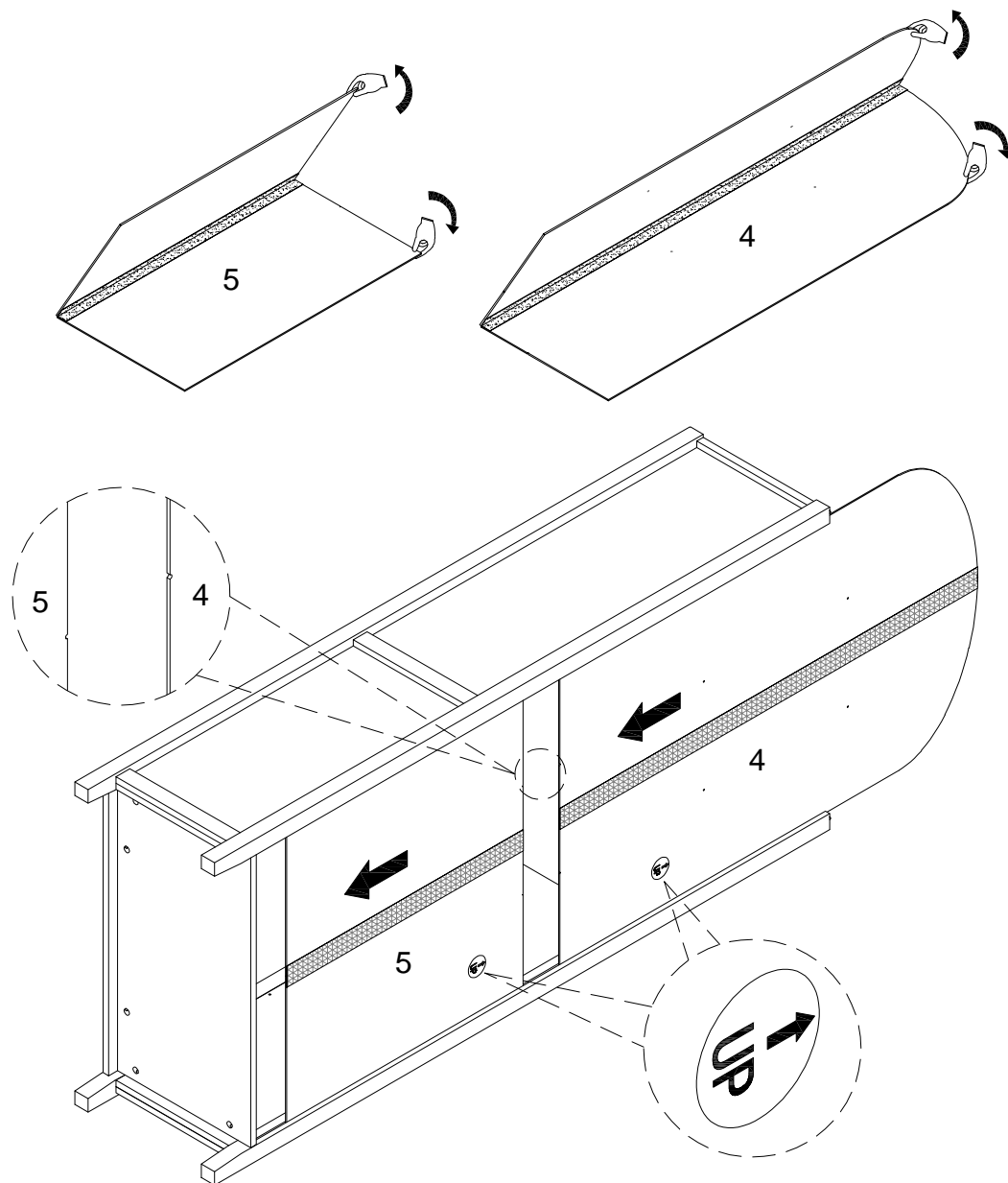
Step 6

Now let's do the same thing with the Right Panel (3).
Ensure that the Right Panel is going the same Direction
as the Left Panel. Attach all shelves with Cam Locks (C).



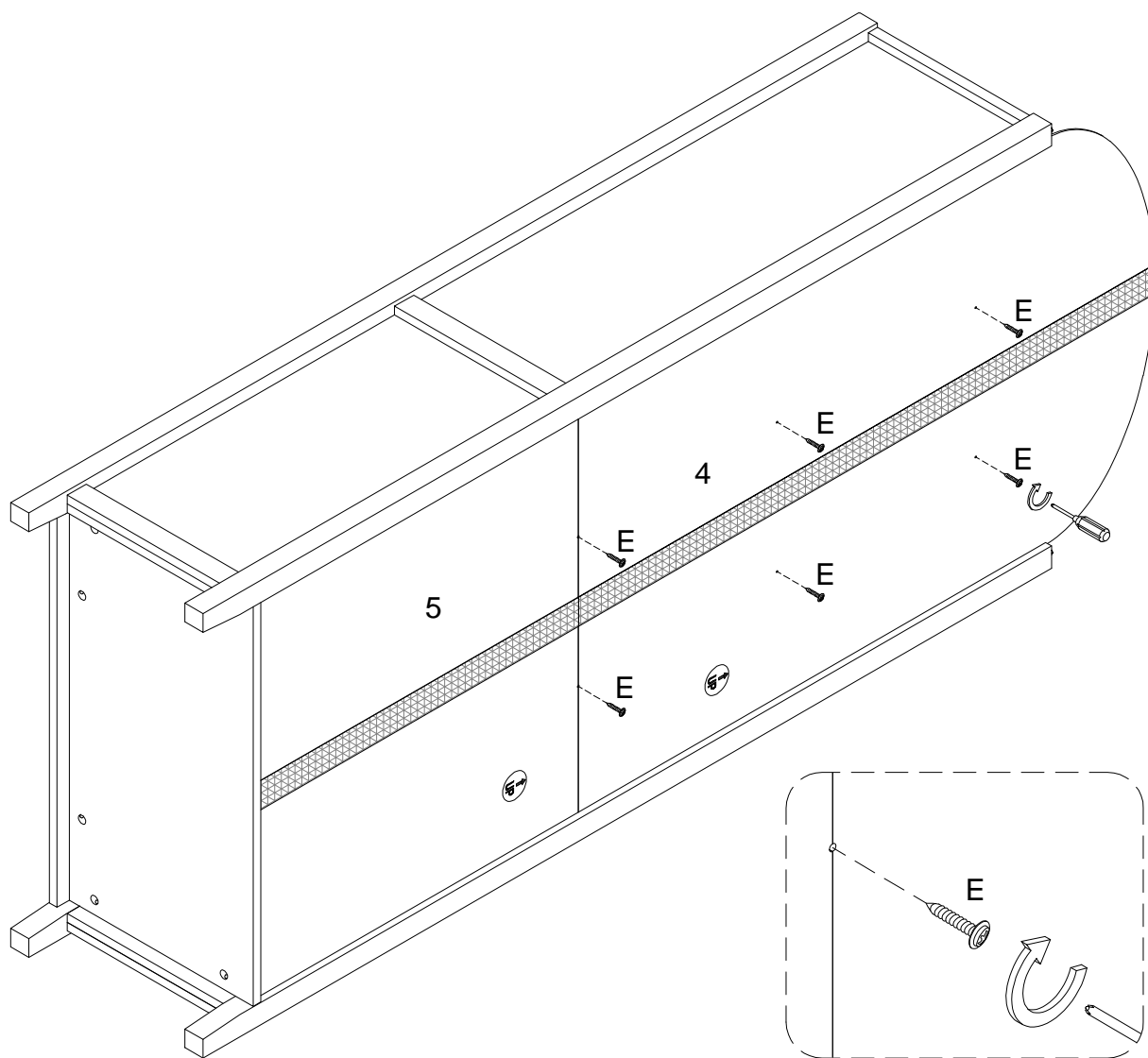
Step 7

Unfold the Lower Back Panel (5) and Upper Back Panel (4). Starting with the Lower Back Panel (5), slide into place using the grooves. Ensure that it fits securely into the bottom groove. Then, slide the Upper Back Panel (4) into place.



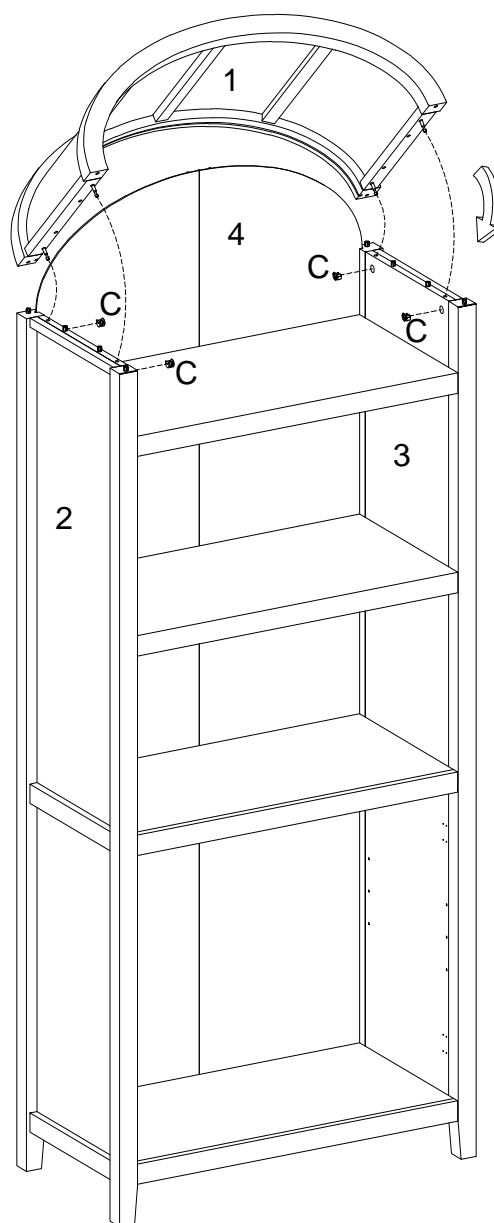
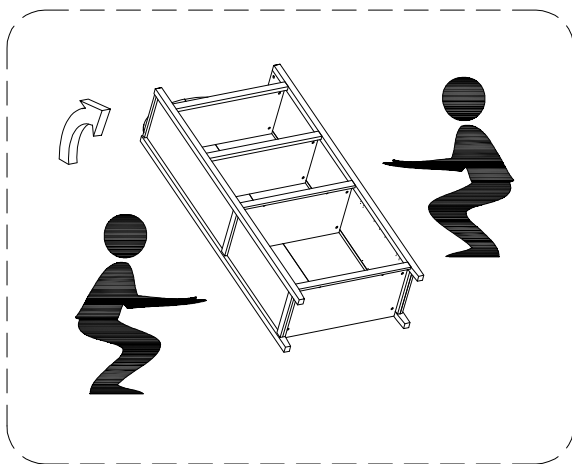
Step 8

Next, locate the pre-drilled holes in the Back Panels (5) and (4). With a screwdriver, guide the 12mm Screws (E) through the pre-drilled holes.



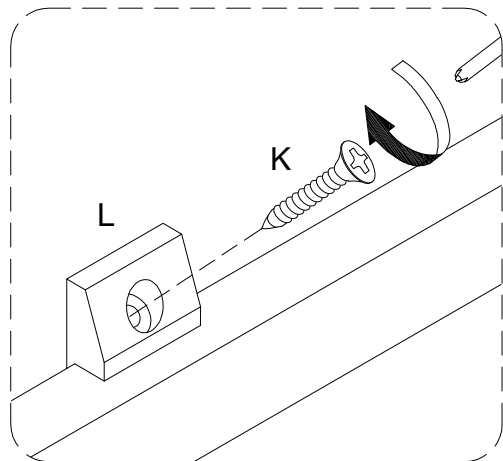
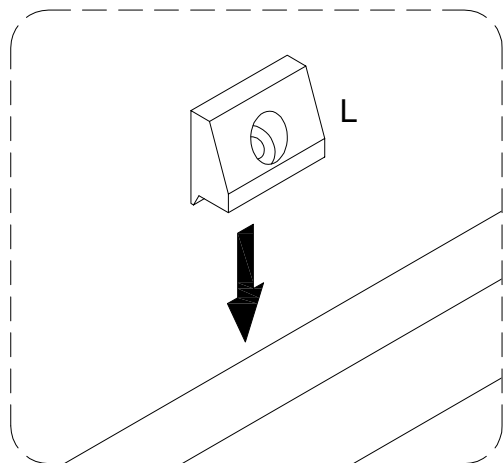
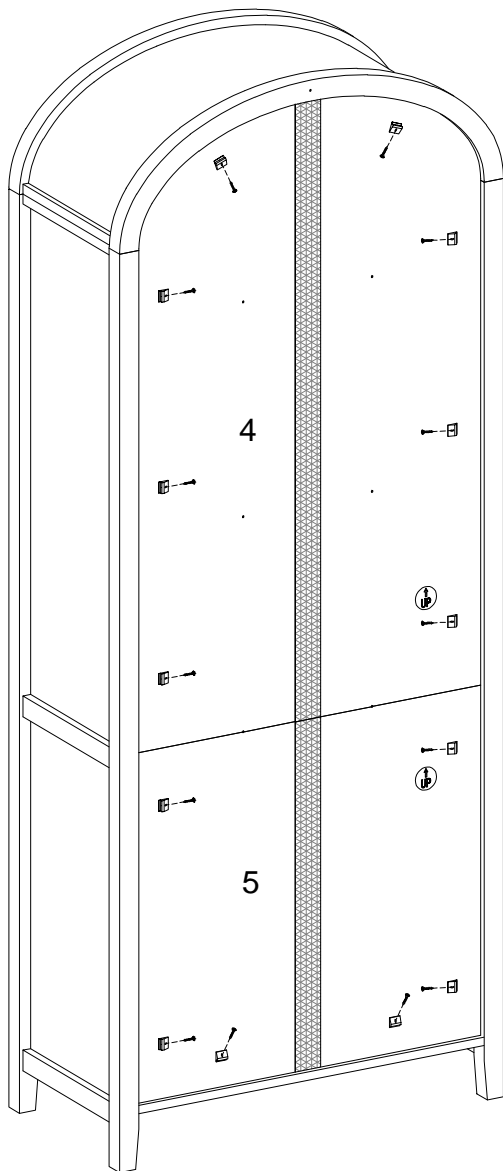
Step 9

With the help of a friend, flip the bookcase upright. Place the Arched Top Panel (1) on top of the unit. Ensure the Back Panel (4) sets into the top guide. Secure the Arched Top Panel to the Right and Left Panels (2) and (3) using Cam Locks (C).



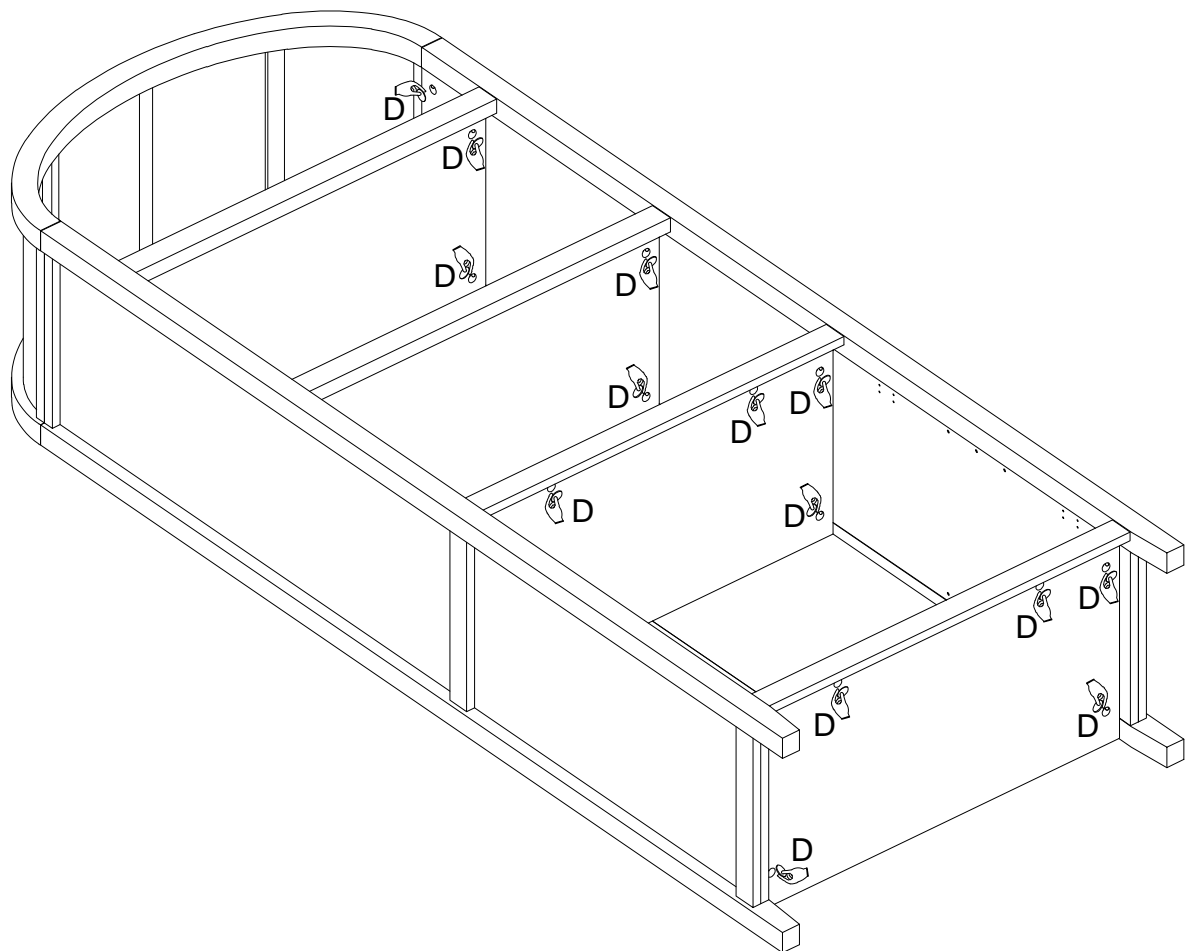
Step 10

Evenly place Plastic Wedges (L) into the gaps between the Back Panels (5) and (4) and the frame. Attach the Plastic Wedges with the 17mm Screws (K).



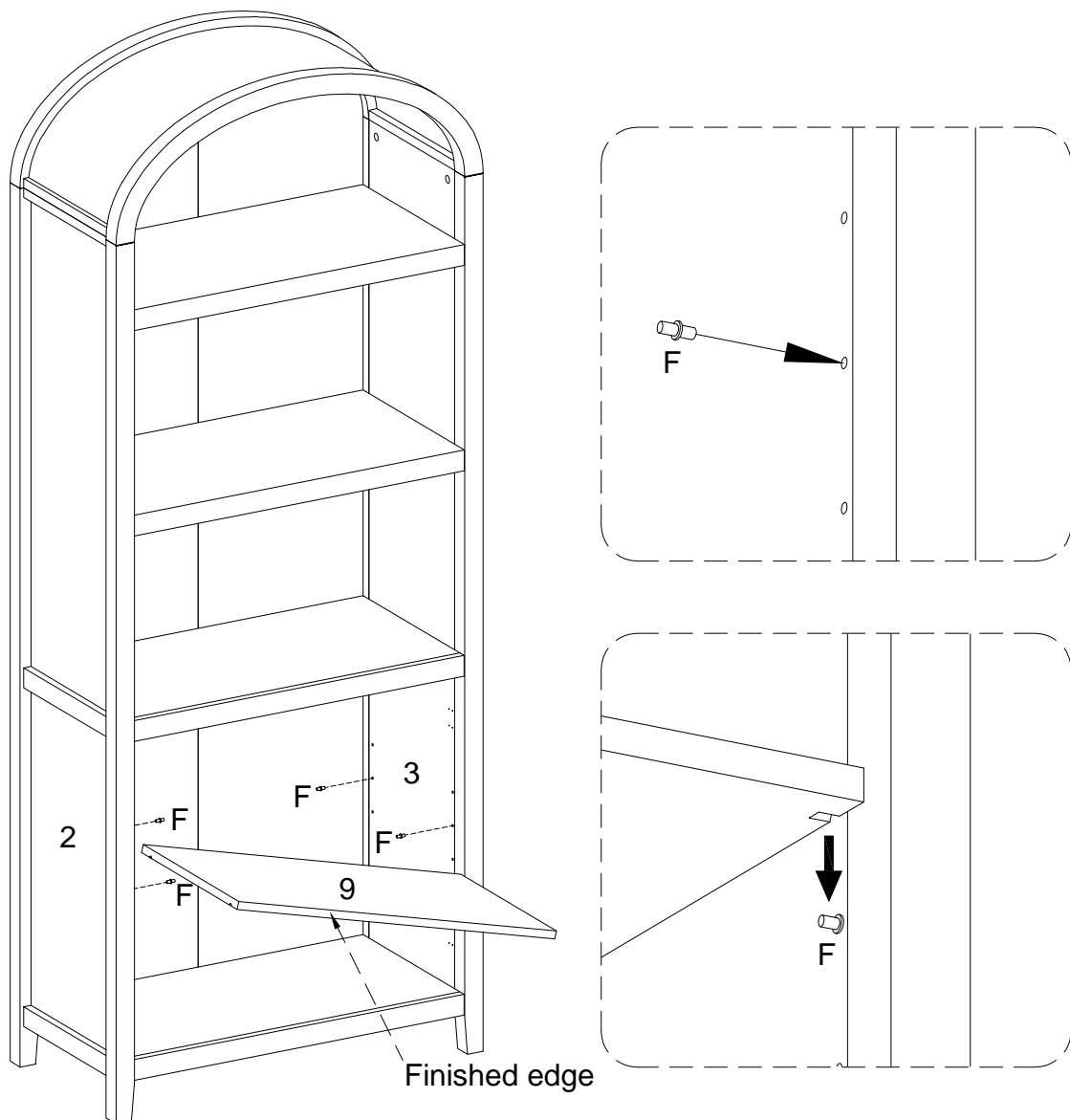
Step 11

Attach Stickers (D) over the Cam Locks (C) throughout the bookcase.



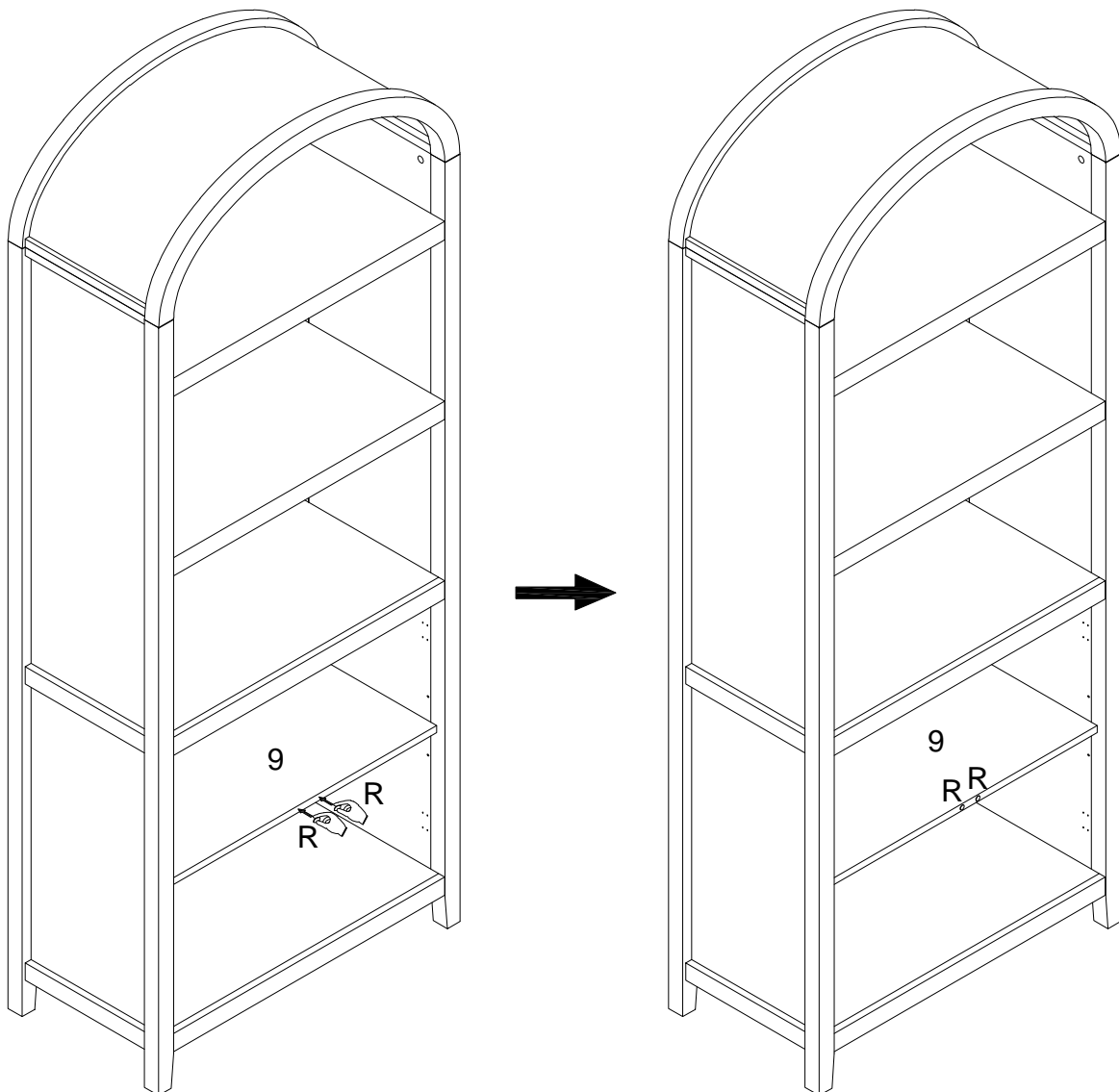
Step 12

Let's construct your cabinet. Insert the Shelf Support Pins (F) into the hole with your desired shelf height. Place the Inside Shelf (9) into the cabinet, above the Shelf Support Pins.



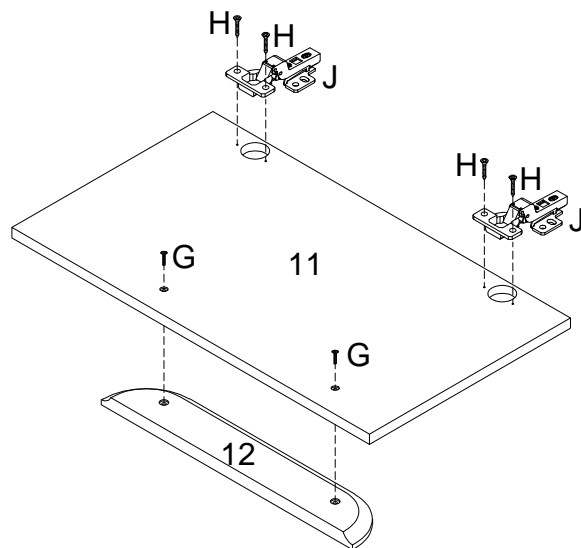
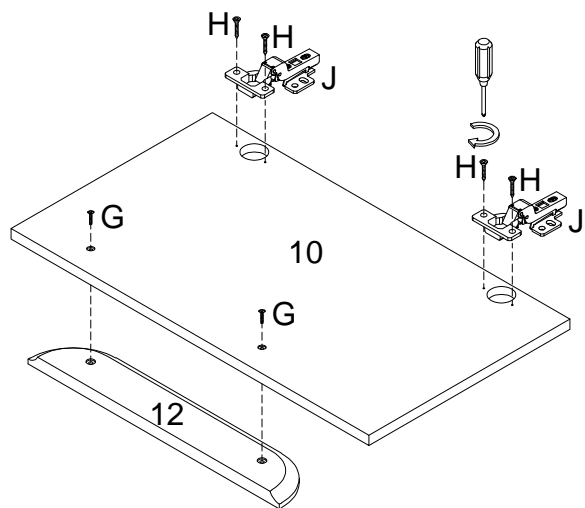
Step 13

Place the Rubber Pads (R) at the front of the Cabinet Shelf (9).



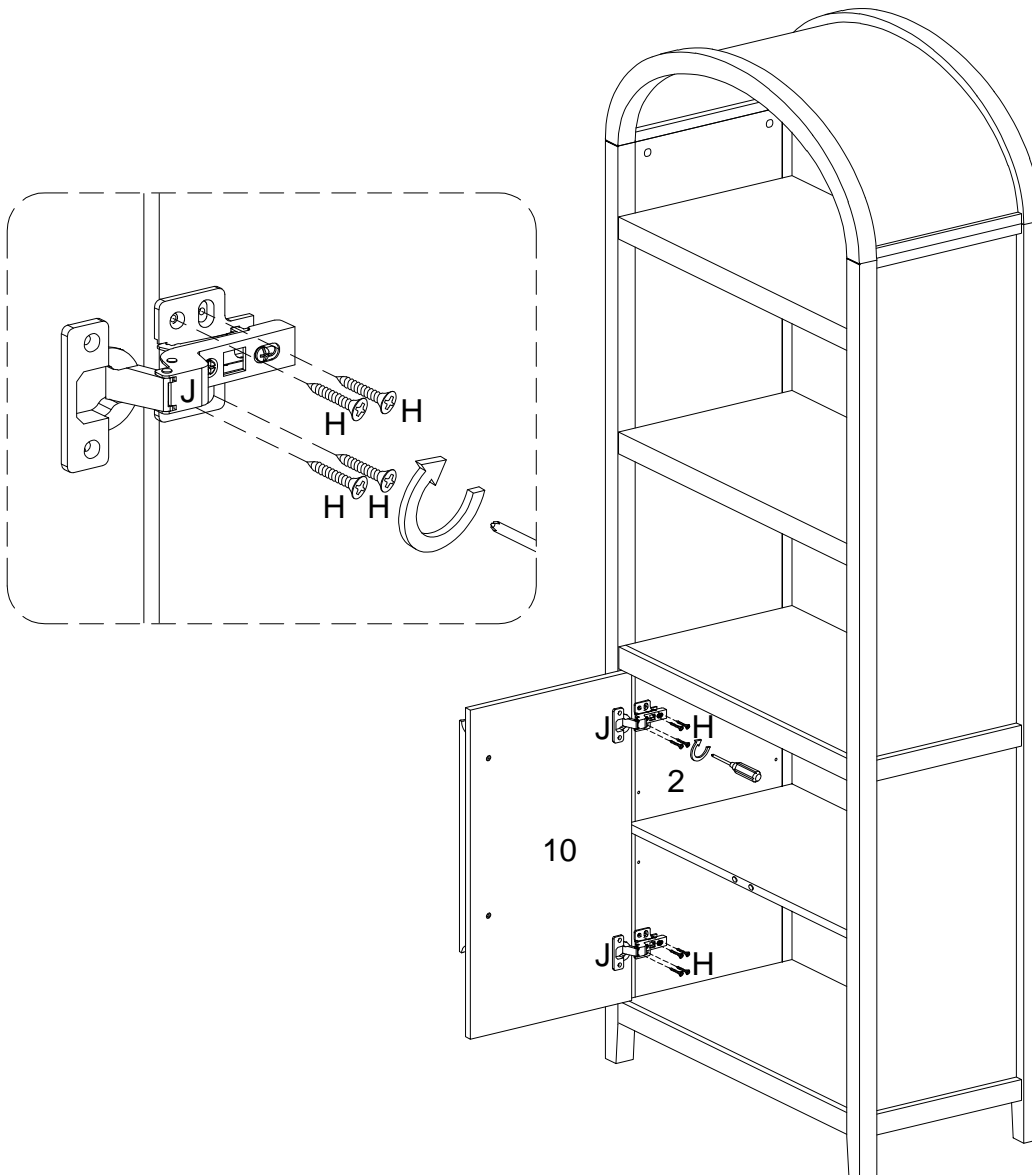
Step 14

Take the Cabinet Doors (10) and (11), and attach the Cabinet Handles (12) using the 22mm Screws (G). Ensure that handles are facing the correct direction! Next, attach the Hinge (J) to the door using the 14mm Screws (H).



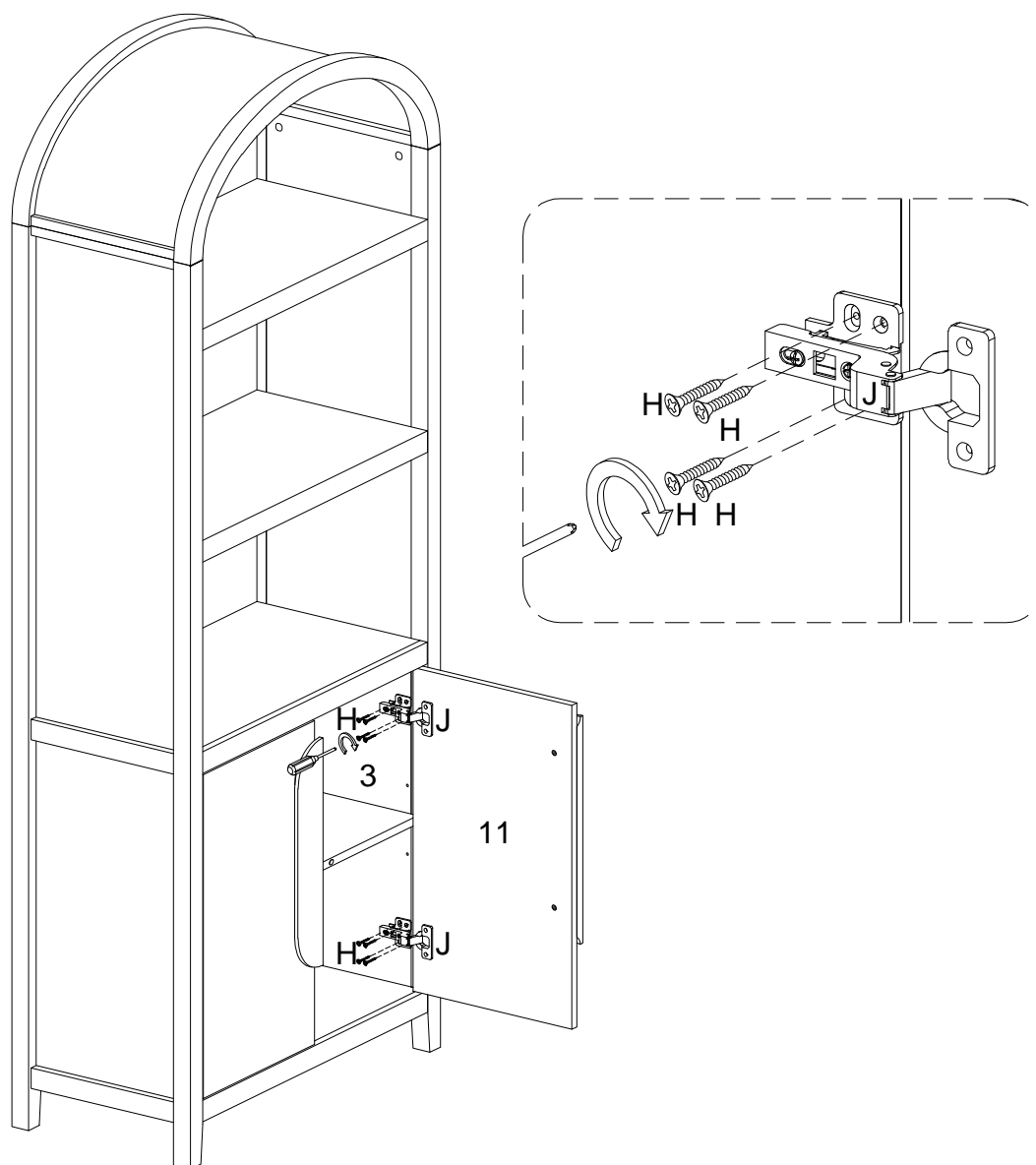
Step 15

Attach the Hinge (J) to the Bookcase using the 14mm Screws (H).



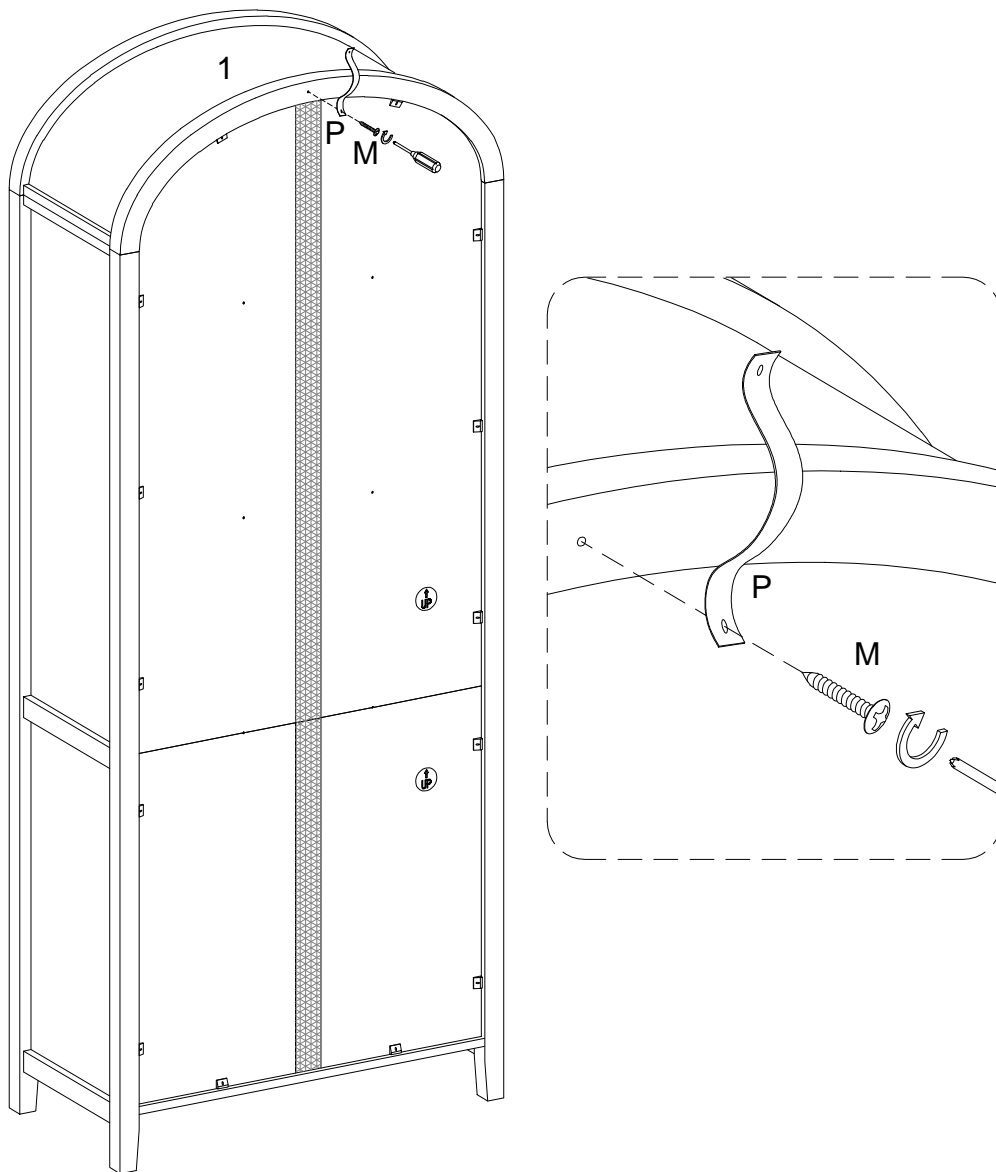
Step 16

Repeat the same process with the Hinges (J) using the 14mm Screws (H) on the other door (11).



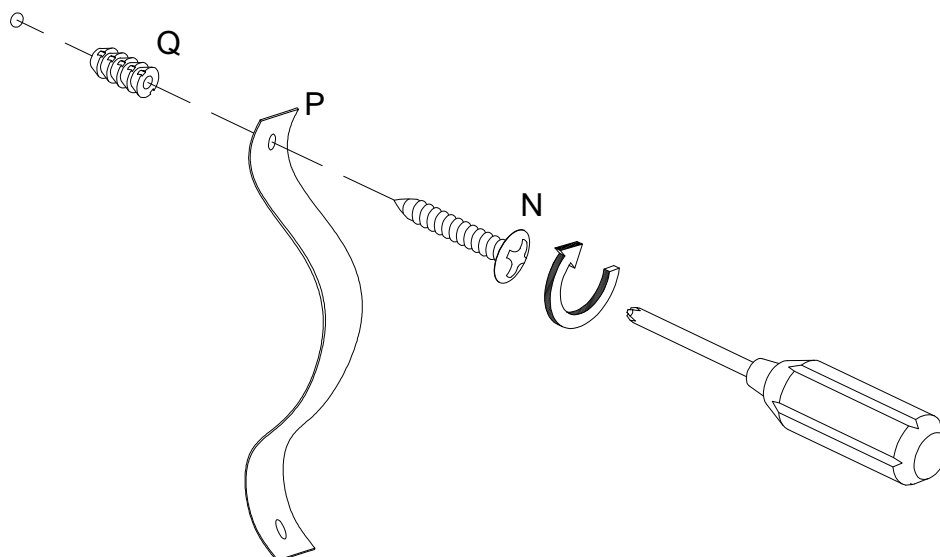
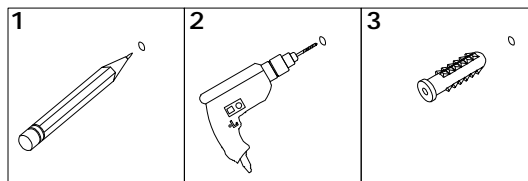
Step 17

You made it to the last couple of steps! Let's secure your bookcase to the wall. Attach the Plastic Strip (P) to your bookcase using the 12mm Screw (M).



Step 18

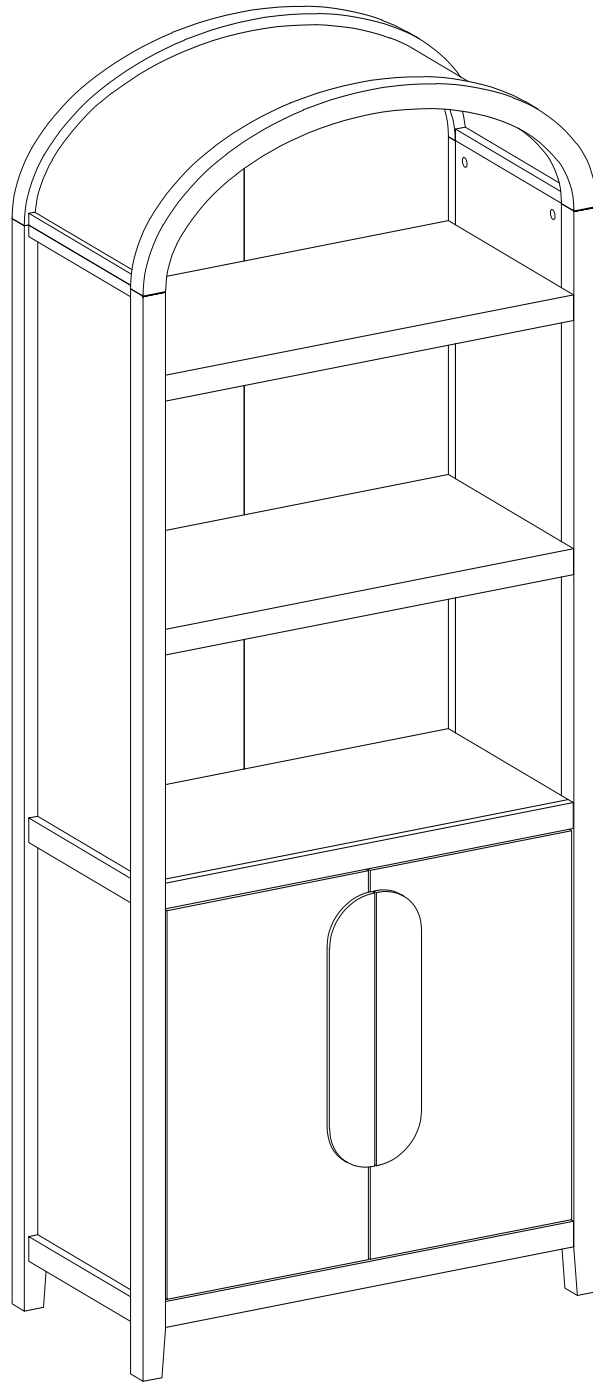
Insert the Wall Anchor (Q) into the wall. Next, secure the Plastic Strip (P) to the wall using the 25mm Screw (N).
Voila! You did it!



Warning

Serious or fatal injuries can occur from furniture tipping over. To prevent the furniture from tipping over we recommend that it is permanently fixed to the wall. Wall anchor and hardware are included with this product. Please make sure hardware is suitable for your walls before installing, as different wall materials may require different types of anchors.

Final Assembly



Congratulations on your new piece of furniture!