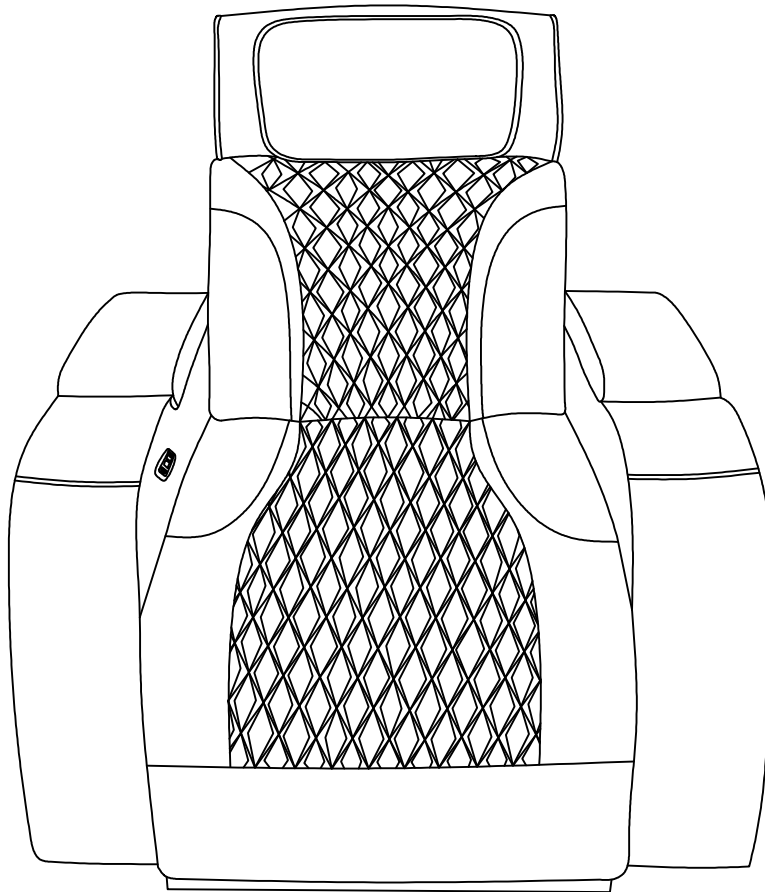


# Assembly Instruction

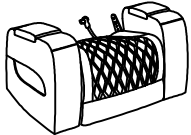

ITEM NO.: 81639-C

**IMPORTANT: PLACE ALL PARTS ON A CLEAN AND SMOOTH SURFACE SUCH AS A RUG OR CARPETTO  
AVOID THE PARTS FROM BEING SCRATCHED  
KINDLY FOLLOW THE ADSEMBLY  
INSTRUCTIONS STEP  
DO NOT TIGHTEN ALL SCREWS UNTIL THE BED  
IS FULLY SET-UP**




# ASSEMBLY INSTRUCTIONS

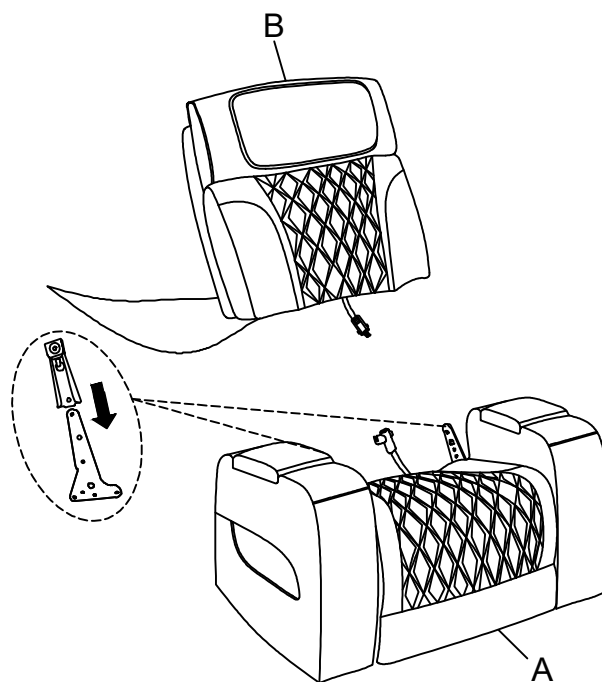
## PARTS LIST

PART	DRAWING	DESCRIPTION	QTY	PART	DRAWING	DESCRIPTION	QTY
A		Seat Body	1	B		Backrest	1

## HARDWARE LIST

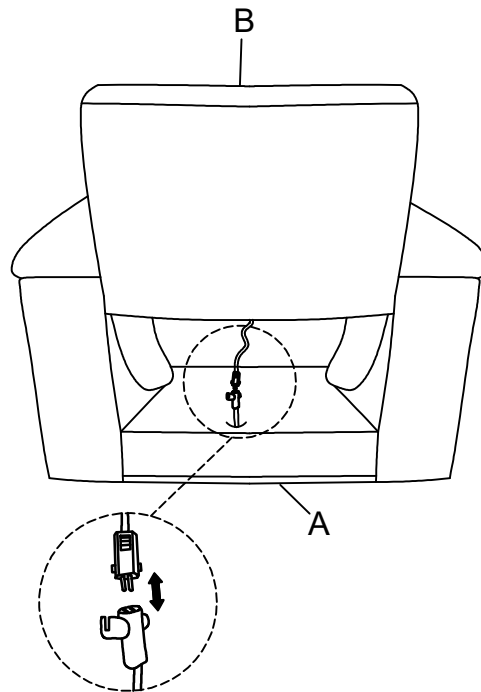
PART	DRAWING	DESCRIPTION	QTY	PART	DRAWING	DESCRIPTION	QTY
C		Adaptor	1				

## STEP 1:



# ASSEMBLY INSTRUCTIONS

## STEP 2:



## STEP 3:

