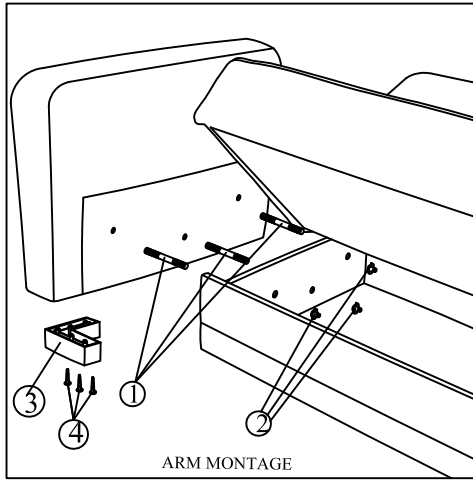
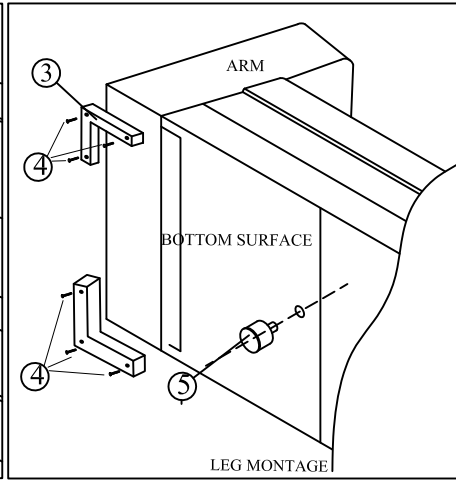


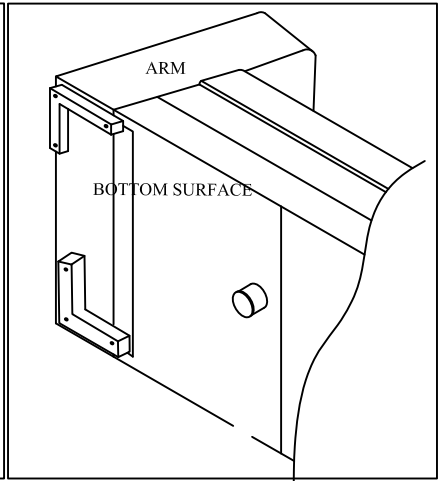
ASSEMBLING GUIDE



ARM MONTAGE



LEG MONTAGE



A-ARM ASSEMBLING

A-) PUT THE CONNECTION APARTE (1) IN TO THE ARMS

B-) PLACE THE ARMS NEAR TO THE BOX

C-) FIX THE ARMS TO THE BOX BY USING WING NUT (2)

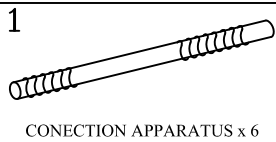
B - LEG ASSEMBLING

A-) PLACE THE SOFA ON ITS BACKSIDE

B-) PUT THE LEG (3) ON THE ARM

C-) ASSEMBLE THE LEG (3) TO THE ARM, BY USING THE NUT (4)

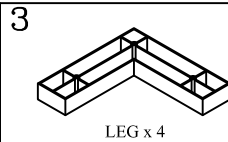
D-) ASSEMBLE THE MIDDLE LEG (5) TO THE BOTTOM HOLE



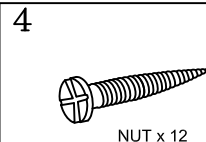
CONECTION APPARATUS x 6



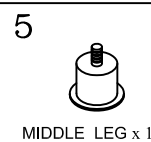
WING NUT x 6



LEG x 4

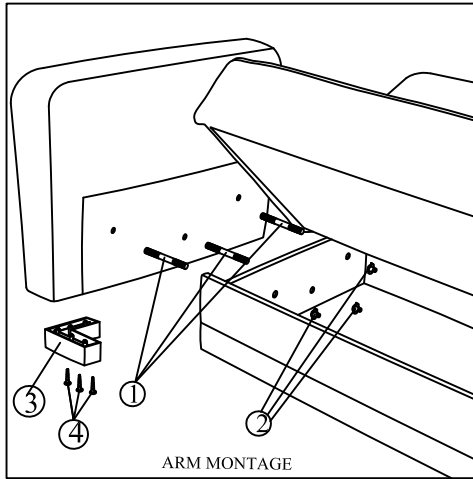


NUT x 12

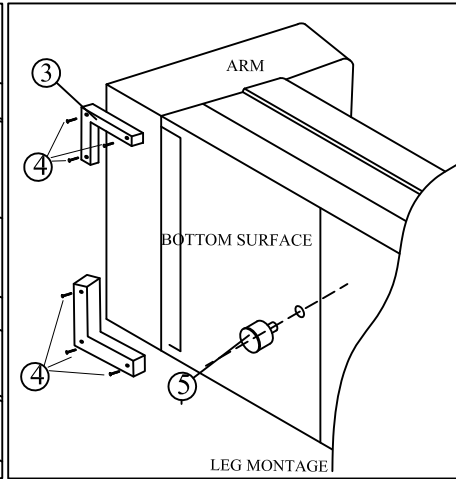


MIDDLE LEG x 1

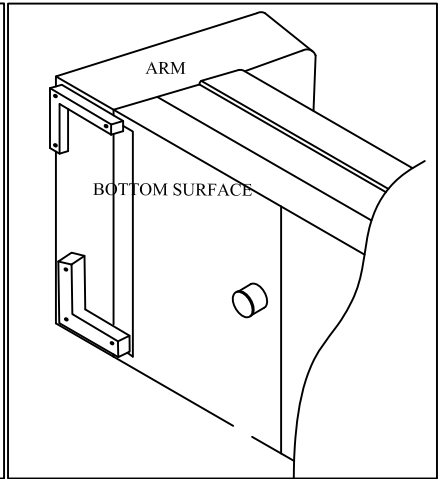
ASSEMBLING GUIDE



ARM MONTAGE



LEG MONTAGE



A-ARM ASSEMBLING

A-) PUT THE CONNECTION APARTE (1) IN TO THE ARMS

B-) PLACE THE ARMS NEAR TO THE BOX

C-) FIX THE ARMS TO THE BOX BY USING WING NUT (2)

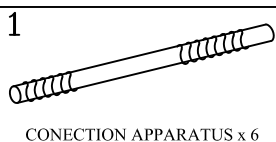
B - LEG ASSEMBLING

A-) PLACE THE SOFA ON ITS BACKSIDE

B-) PUT THE LEG (3) ON THE ARM

C-) ASSEMBLE THE LEG (3) TO THE ARM, BY USING THE NUT (4)

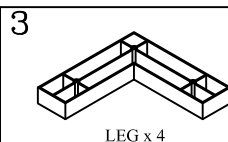
D-) ASSEMBLE THE MIDDLE LEG (5) TO THE BOTTOM HOLE



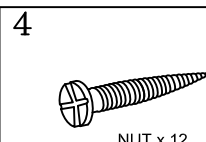
CONECTION APPARATUS x 6



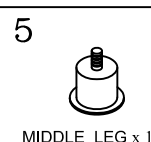
WING NUT x 6



LEG x 4



NUT x 12



MIDDLE LEG x 1