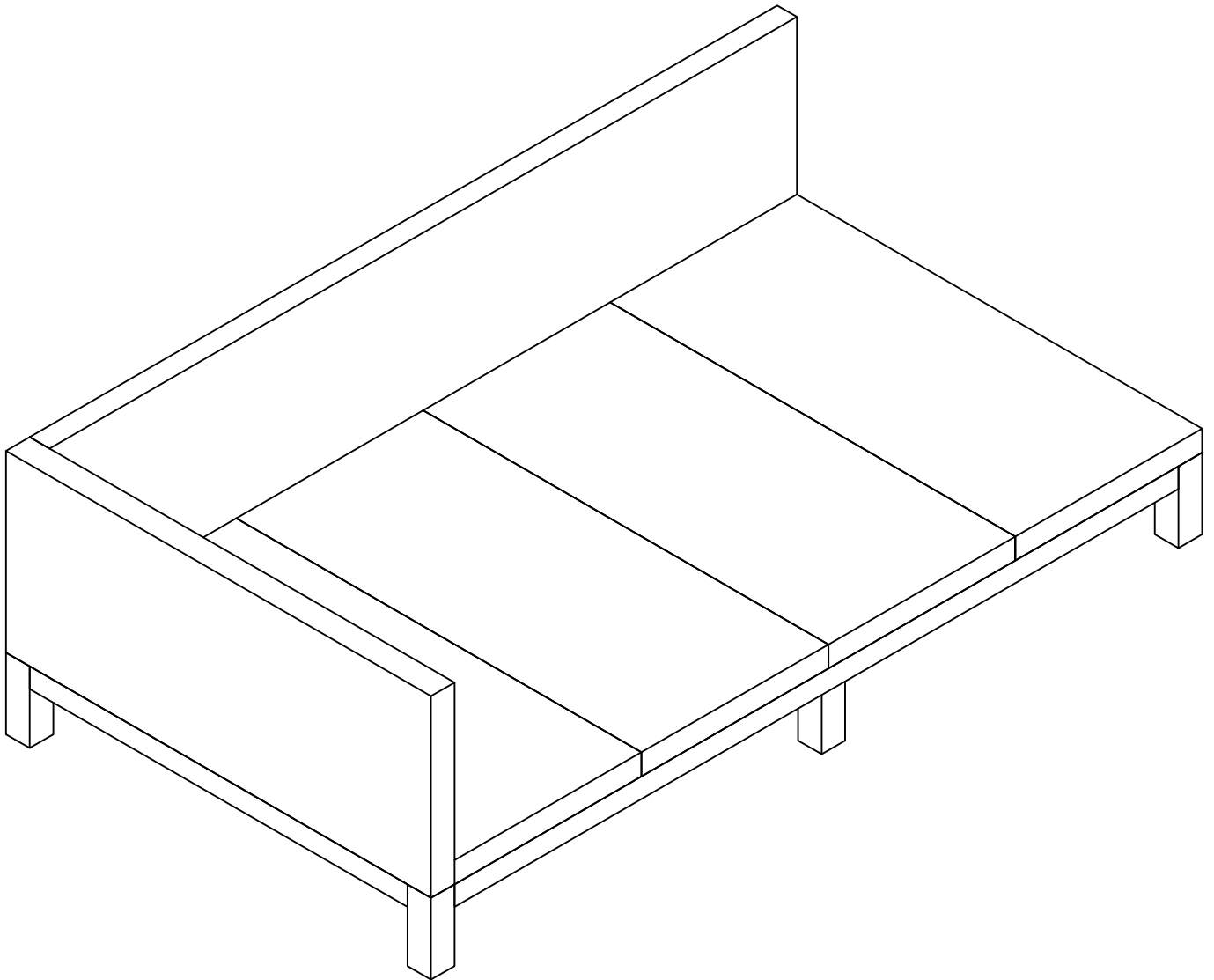
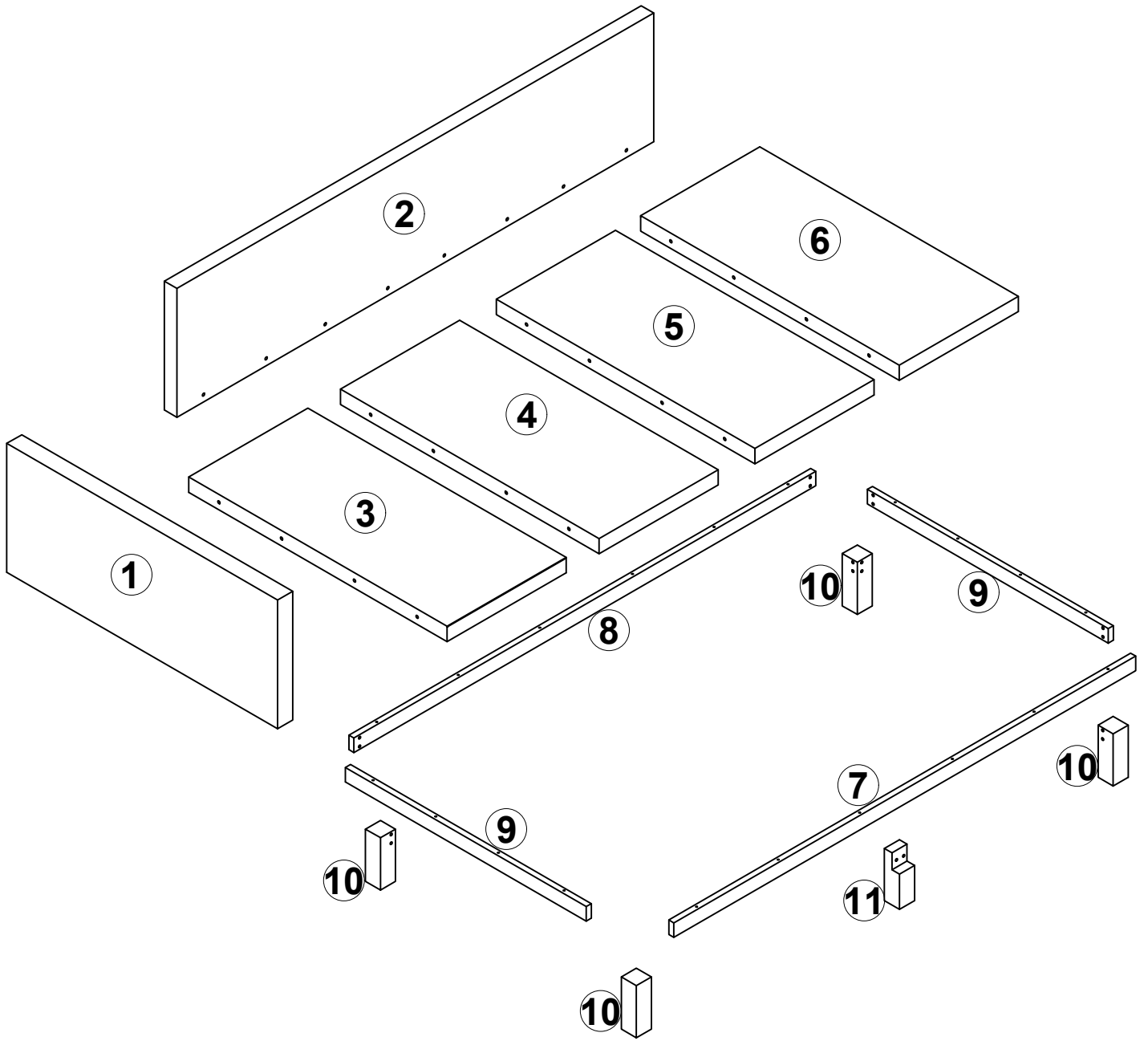


# ASSEMBLY INSTRUCTION

SKU CODE: WF294842/WF294843

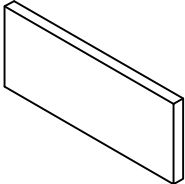
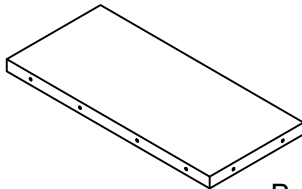
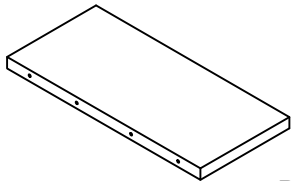
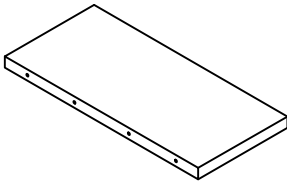
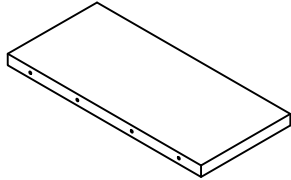
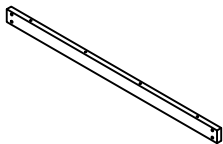




# Detail View - FULL DAY BED



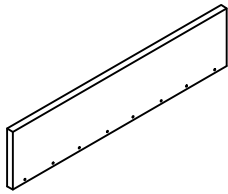
Identifying the Hardware - Identify the hardware using the illustrations below.

# Part Lists: WF294842

<p><b>1</b></p>  <p>Headboard-1pc</p>	<p><b>3</b></p>  <p>Bottom panel 1-1pc</p>
<p><b>4</b></p>  <p>Bottom panel 2-1pc</p>	<p><b>5</b></p>  <p>Bottom panel 3-1pc</p>
<p><b>6</b></p>  <p>Bottom panel 4-1pc</p>	<p><b>9</b></p>  <p>Short apron -2pcs</p>
<p><b>10</b></p>  <p>Bed leg - 4pcs</p>	<p><b>11</b></p>  <p>Front support leg - 1pc</p>

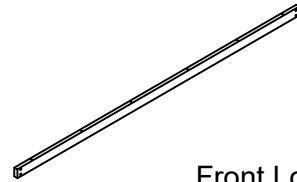
# Part Lists: WF294843

2



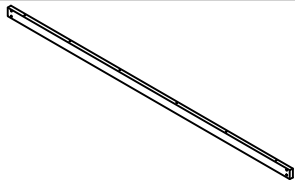
Back frame -1pc

7




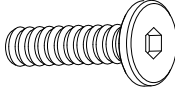
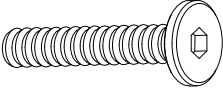


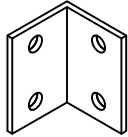
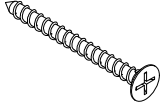
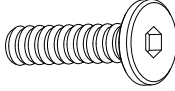


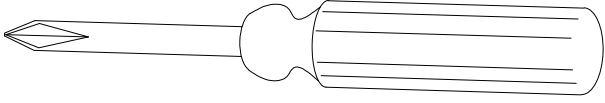
Front Long apron - 1pc

8



Back Long apron - 1pc

# HARDWARE LISTS: WF294842

<b>A</b>	 4mm Allen key (1pc)	<b>B</b>	 Ø1/4" x 15mm Hex-head bolt (32pcs)
<b>C</b>	 Ø5/16" x 40mm Hex-head bolt (26pcs)	<b>D</b>	 Ø1/4" Spring washer (34pcs)
<b>E</b>	 Ø1/4" Flat washer(34pcs)	<b>F</b>	 Metal bracket (8pcs)
<b>G</b>	 Ø4 x 40mm Wood screw (20pcs)	<b>H</b>	 Ø1/4" x 25mm Hex-head bolt (02pcs)
<b>I</b>	 Ø5/16" Spring washer (26pcs)	<b>J</b>	 Ø5/16" Flat washer(26pcs)
			
<b>ASSEMBLY TOOLS REQUIRED ( NOT INCLUDED )</b>			



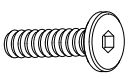
Read this instruction carefully. See hardware and furniture part list for guidance. Be sure all parts are complete, before you assemble. Place all wooden furniture parts on a clean and flat soft surface to prevent from being scratched. Follow the figure to start assembling.

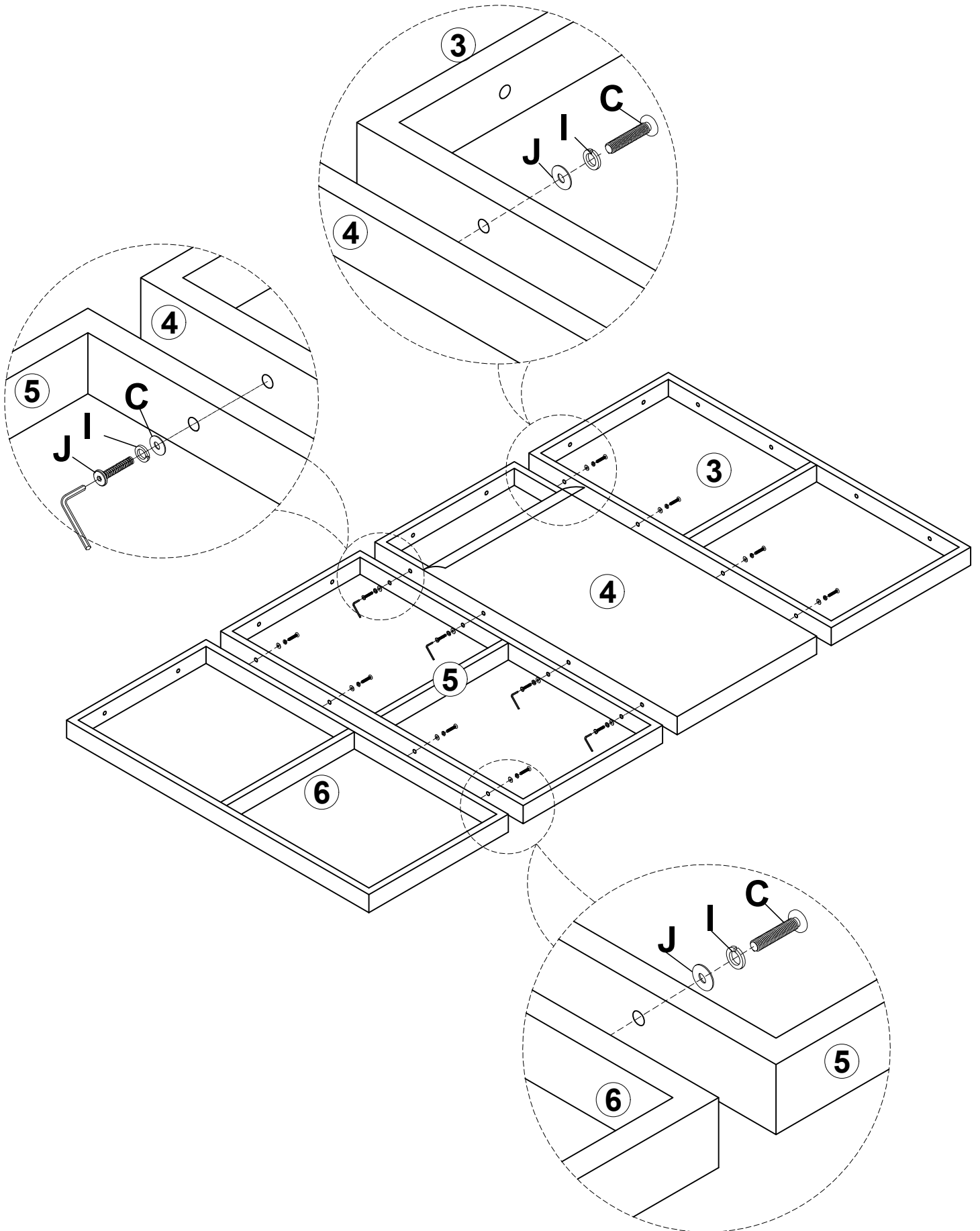
**CAUTIONS :**

1. Do not FULLY - TIGHTEN the nut or nut bolt until all nut or bolt is ready assembled.
2. Do not OVER - TIGHTEN the nut or bolt to avoid causing damages to the thread.
3. Keep all hardware parts out of reach of children.



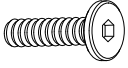
**NOTE : THE LIST AND QUANTITY SHOWN ARE FOR 1 UNIT ASSEMBLY.**

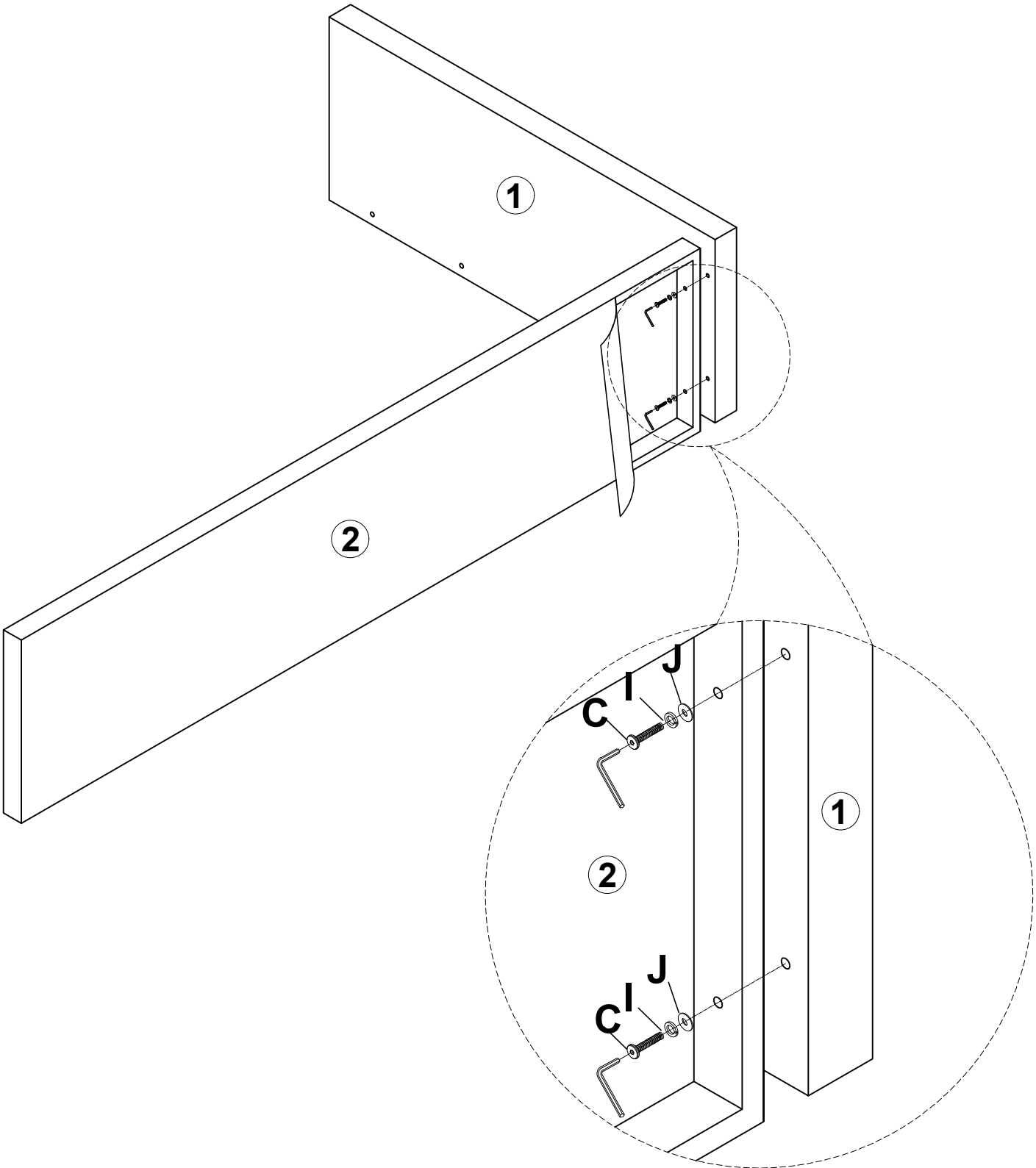
# STEP 1

<b>J</b> 	<b>I</b> 	<b>C</b> 
<b>12PCS</b>	<b>12PCS</b>	<b>12PCS</b>

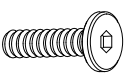


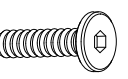


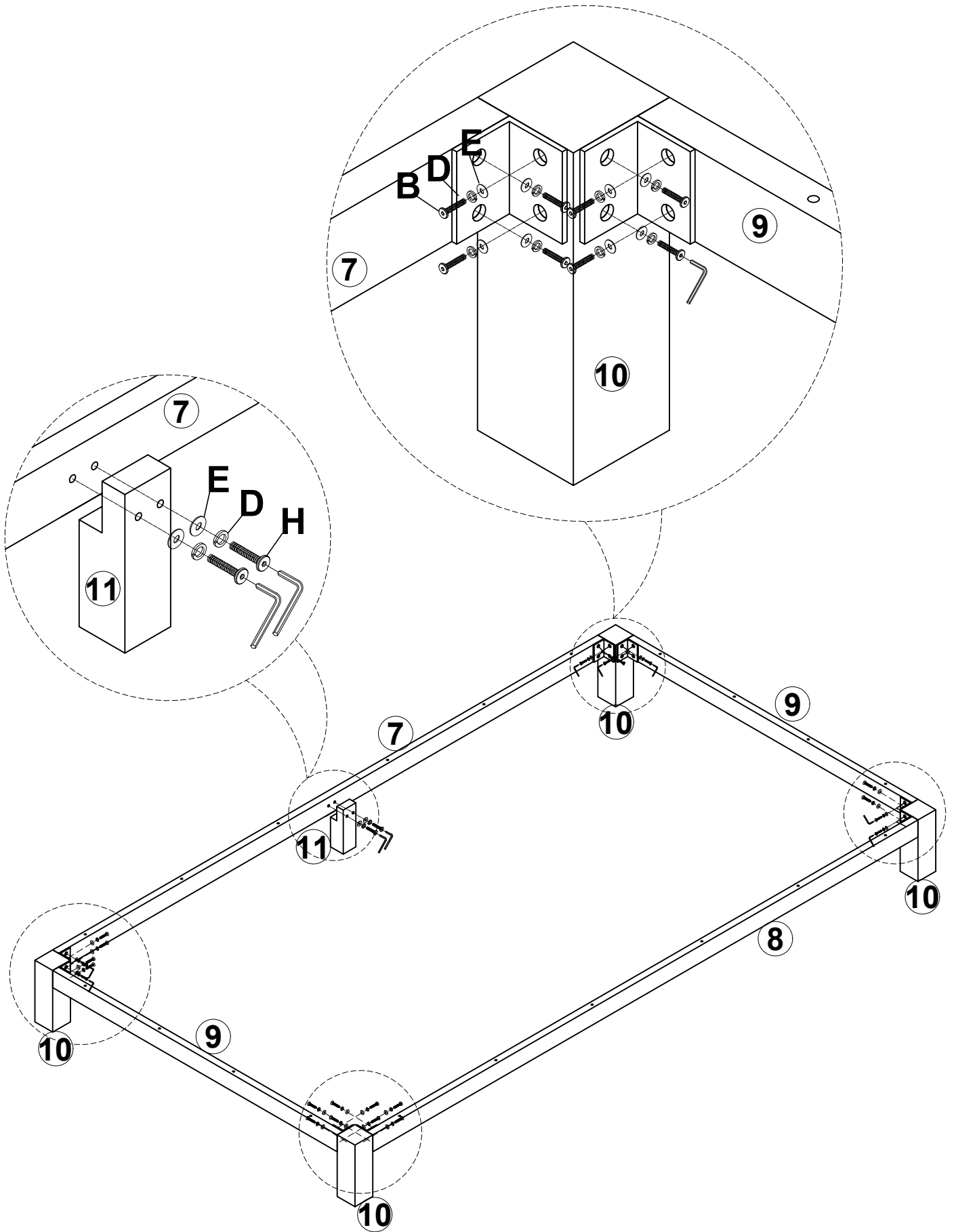
# STEP 2

<b>J</b> 	<b>I</b> 	<b>C</b> 
<b>2PCS</b>	<b>2PCS</b>	<b>2PCS</b>



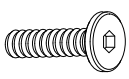


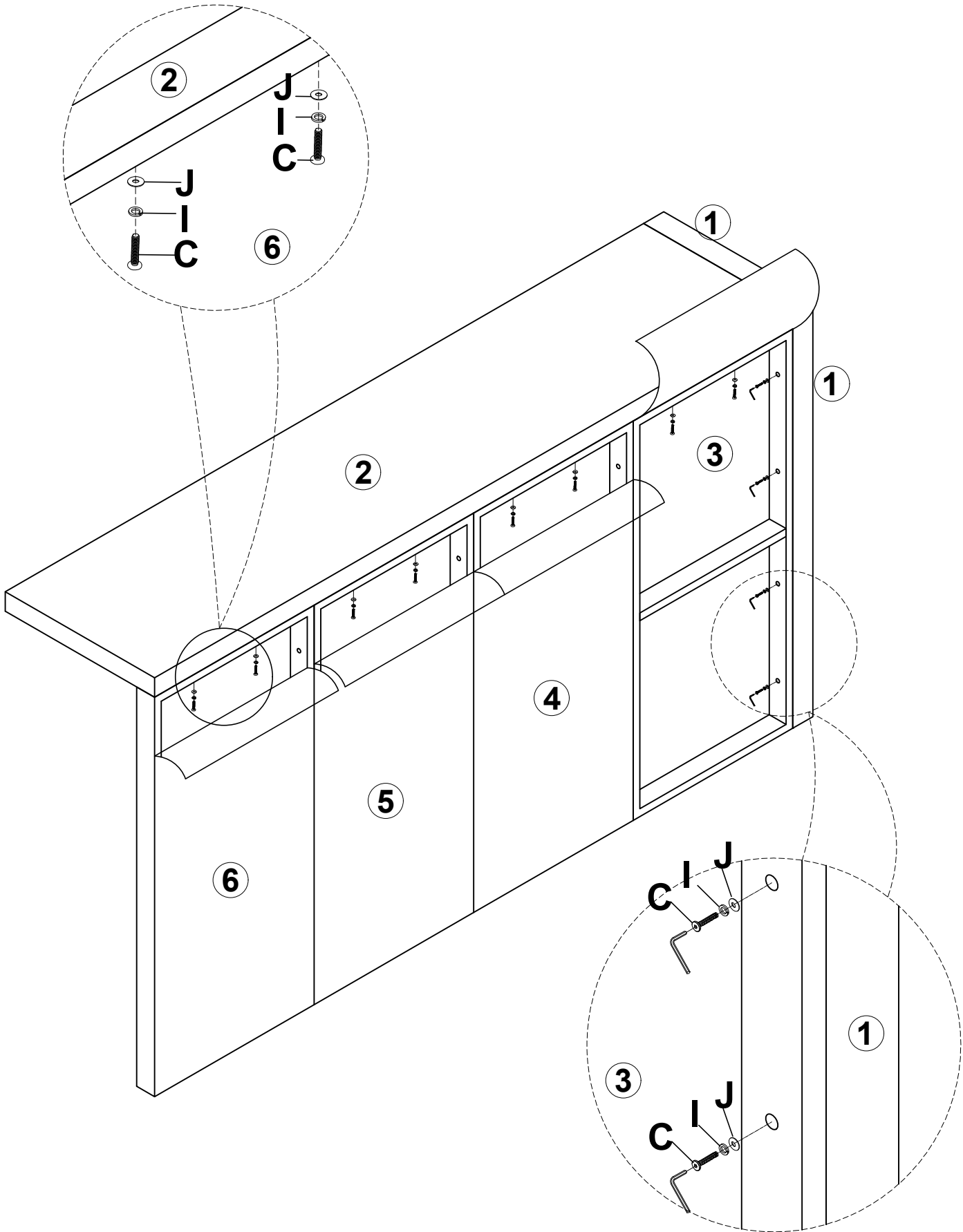
# STEP 3

<b>H</b>		<b>E</b>		<b>D</b>		<b>B</b>	
	<b>2PCS</b>		<b>34PCS</b>		<b>34PCS</b>		<b>32PCS</b>



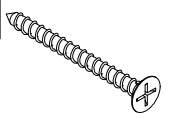
# STEP 4

<b>J</b> 	<b>I</b> 	<b>C</b> 
<b>12PCS</b>	<b>12PCS</b>	<b>12PCS</b>

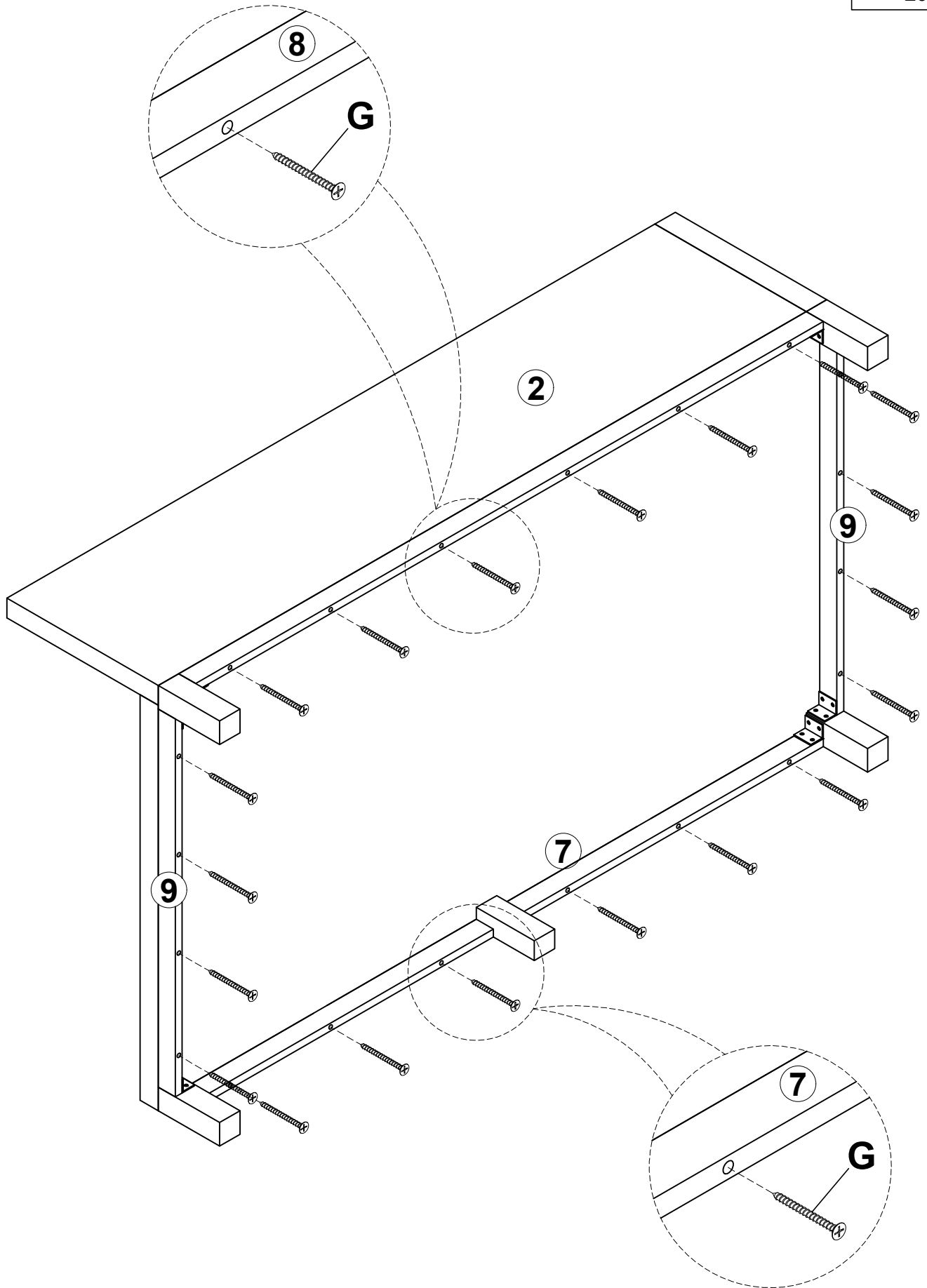


# STEP 5

G



20PCS



**STEP 6**

