

LED ARCHITECTURAL WALL SCONCE

SPEC SHEET



Type : Wall Sconce



Suitable for
Wet Locations



This Up and Down 2-Light Outdoor LED Wall Sconce is the perfect blend of high-end architectural and security lighting. The sconce produces an uplight that architecturally grazes the wall surface, while the downlight illuminates both the wall and ground. It's two innovative illuminating "halo-rings" on both end-caps provides a third light that diffuses light outwards and is both inviting to look at while providing ample and functional security lighting.

APPLICATIONS

Perfect for entry ways, driveways, retail, commercial building, hotels and wall perimeter security lighting.

PRODUCT PERFORMANCE AT A GLANCE

SYSTEM WATTAGE	LED WATTAGE	LUMENS	LPW	CRI	REPLACES METAL HALIDE
20W	18W	1400 lm	70 lm/w	≥80	80W

HOUSING

Extrusion aluminum housing with impact-resistant UV-stabilized polycarbonate "halo-effect" end-caps.

OPTICS

Up and down soft "V" shaped optics with two illuminating end caps to provide outward lighting for security needs in addition to decorative up and down lighting.

FINISH

Fade, weather, and abrasion resistant, electrostatically applied, thermally cured, triglycidal isocyanurate (TGIC) textured polyester powdercoat finish. Paint is white.

IP RATING & LISTINGS

LED light engine is weather proof rated IP65.

cULus, FCC Certified

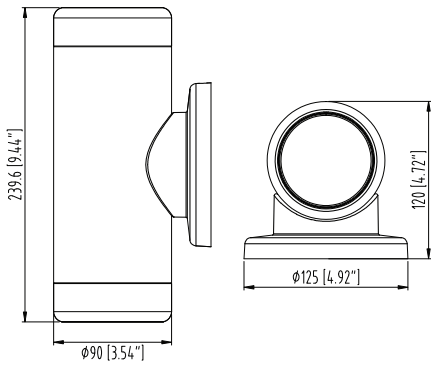
MOUNTING

Unit has a detachable mounting plate with hanging wire that allows for hands-free installation when making electrical connections.

WARRANTY

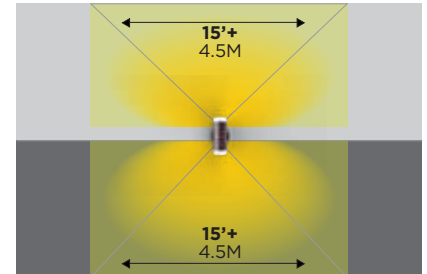
Fixture is covered by a 5-year limited warranty.

PRODUCT LINE DRAWING



SUGGESTED MOUNTING HEIGHT:
5-12 FT.(1.5-3.7 M)

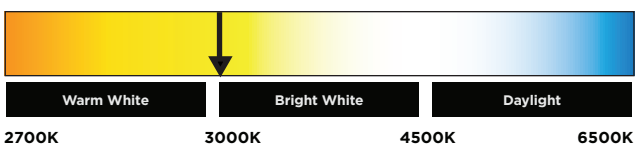
3D PHOTOMETRIC VIEW



PRODUCT SPECIFICATIONS

Product Dimensions	: 9.44" X 4.72" X 3.54"
Weight	: 1.98lbs
Lumens	: 1400
System Wattage	: 20W
LED Wattage	: 18W
Efficacy	: 70
CRI	: 80
Replaces (Metal Halide)	: 80W
Replaces (Incandescent Bulb)	: 150W
Mounting	: Wall mount
Frequency	: 50-60Hz
THD (Total Harmonic Distortion)	: <20%
PF(Power Factor)	: >0.9
Ambient Operating Temperature	: (-30) - 40°C
Input Voltage	: 120V
Photocell	: No
Driver	: Non-dimming
Standard Lifetime	: L70 >50,000hrs
Standard Warranty	: 5 Years
Water Proofing Grade	: Suitable for wet location
CCT	: 3000K
Certifications	: UL/cUL

APPLICATION



2700K 3000K 4500K 6500K