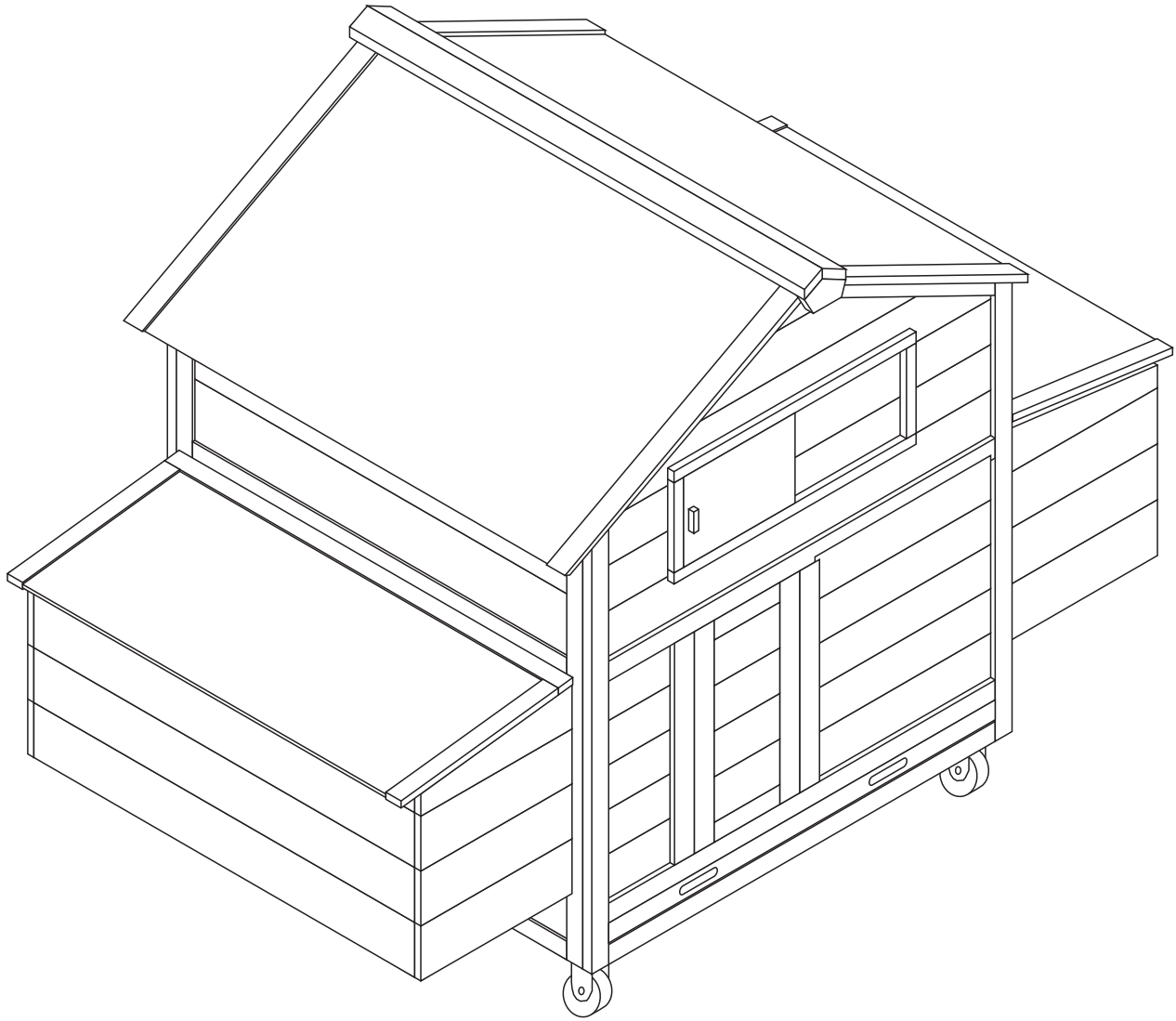


ASSEMBLY INSTRUCTION



Thank You!

Your satisfaction is our top priority.

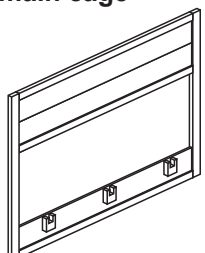
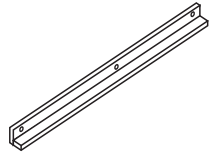
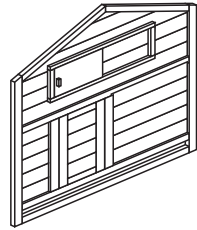
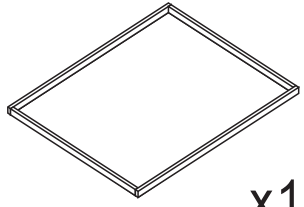
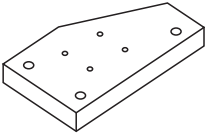
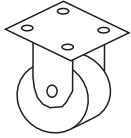
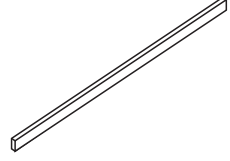
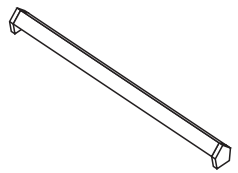
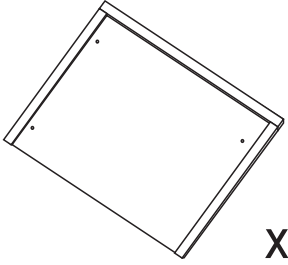
If you have any questions or need assistance, please contact us.

We are always at your services.

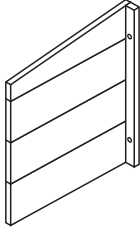
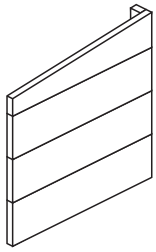
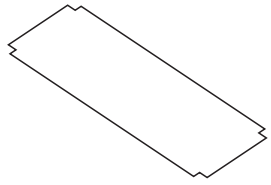
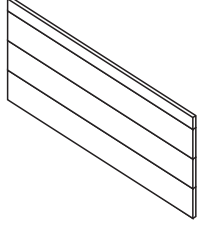
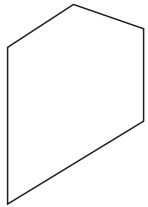
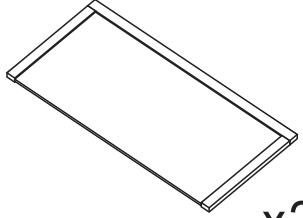

Sincerely,
Ecolinear Team

PACKAGING LIST

Main cage parts

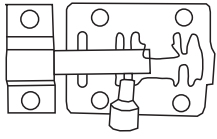
<p>A front/rear panel of main cage</p>  <p>x2</p>	<p>B drawer track</p>  <p>x2</p>	<p>C left/right panel of main cage</p>  <p>x2</p>	<p>D drain tray drawer</p>  <p>x1</p>
<p>E Roller connecting plate</p>  <p>x4</p>	<p>F wheels</p>  <p>x4</p>	<p>G roosting perch</p>  <p>x3</p>	<p>H roof beam of main cage</p>  <p>x1</p>
<p>O roof panel of main cage</p>  <p>x2</p>			

Egg cage parts

<p>I side panel of egg cage</p>  <p>x2</p>	<p>J side panel of egg cage</p>  <p>x2</p>	<p>K bottom board of egg cage</p>  <p>x2</p>	<p>L front/rear panel of egg cage</p>  <p>x2</p>
<p>M egg crate barrier</p>  <p>x4</p>	<p>N roof panel of egg cage</p>  <p>x2</p>	<p>P support pole</p>  <p>x2</p>	

Hardware

5 metal latch



x2

Hardware

1



3. 5x40mm

x30

2



3x30mm

x24

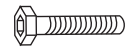
3



3x16mm

x22

4



6x30mm



M6 x16

5

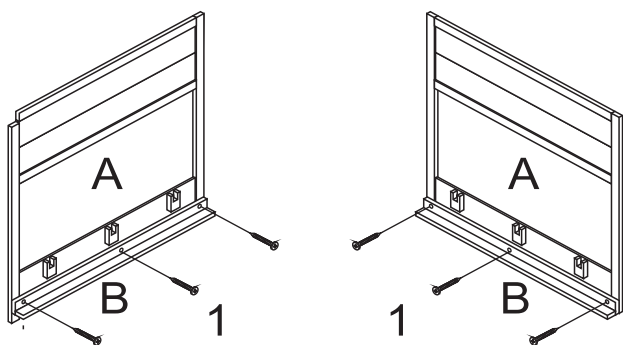


5x45mm

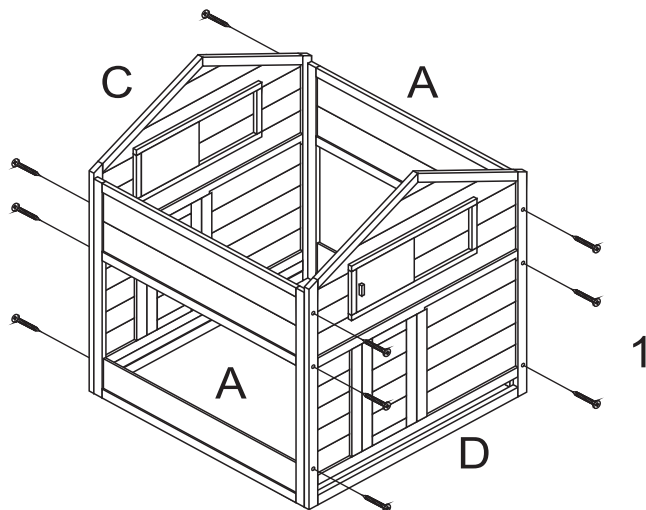


M6 x8

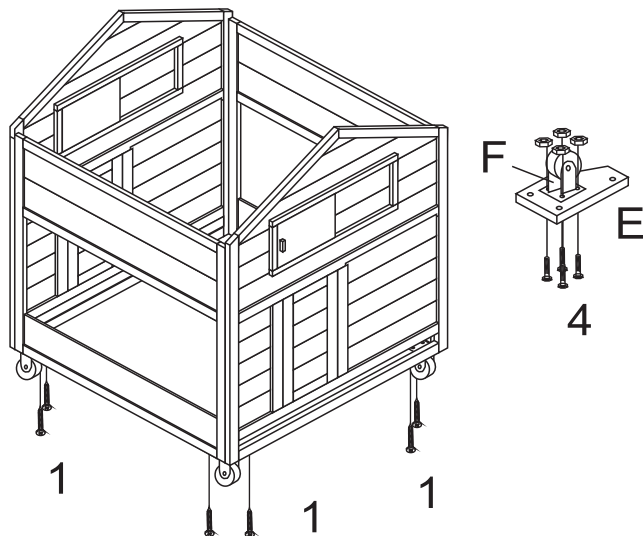
STEP 1 install the drain tray drawer track
(B+A; B+A)



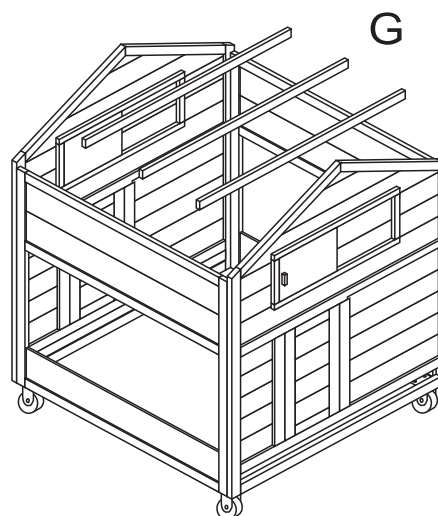
STEP 2 connect front/rear panel with left/right panel of main cage (A+C; A+C)



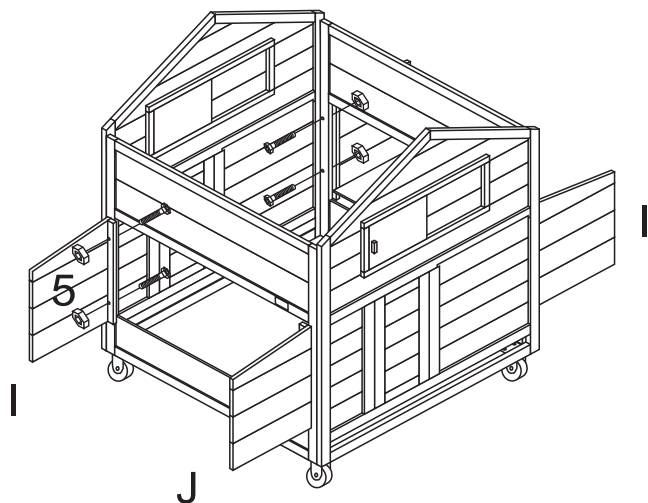
STEP 3 connect wheels with roller connecting plate(E+F)
install the wheels to the main cage



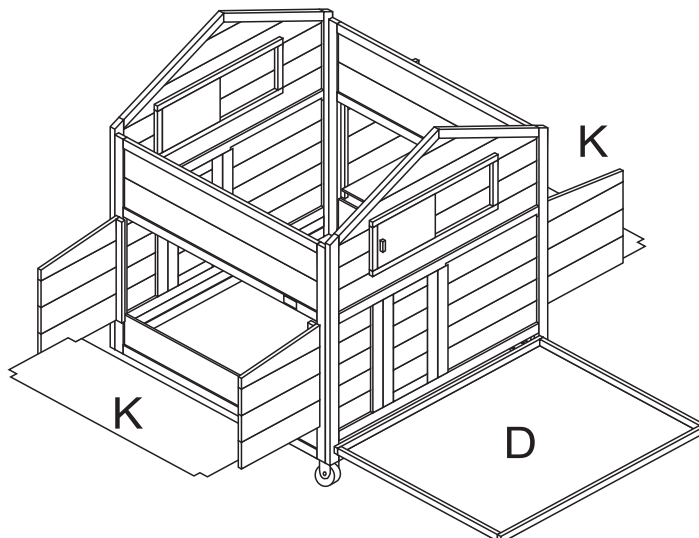
STEP 4 install 3 roosting perches (G+main cage)



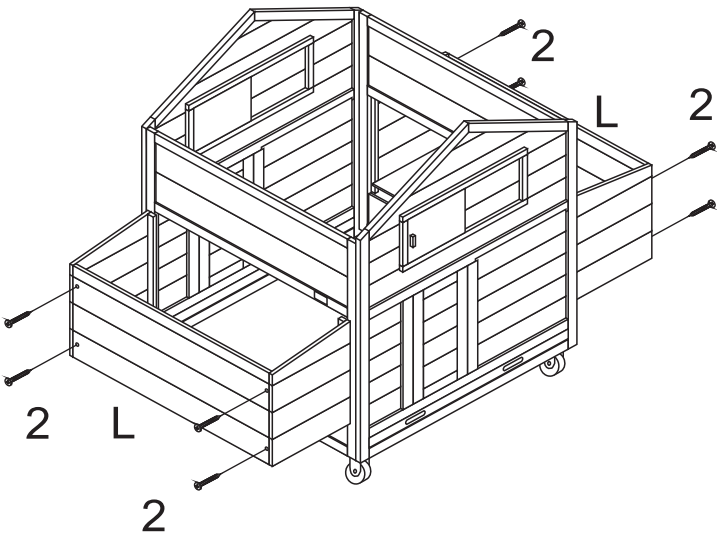
STEP 5 connect side panels of egg cage with the main cage (I+A; J+A; I+A; J+A)



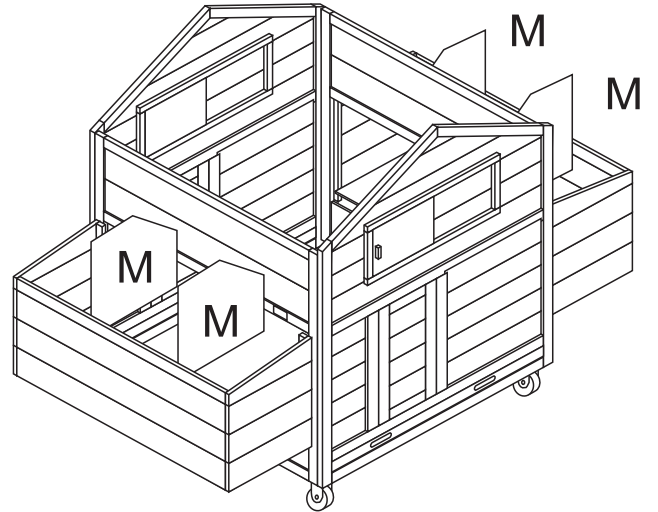
STEP 6 install the bottom board of egg cage and drain tray drawer (K+egg cage; D+main cage)



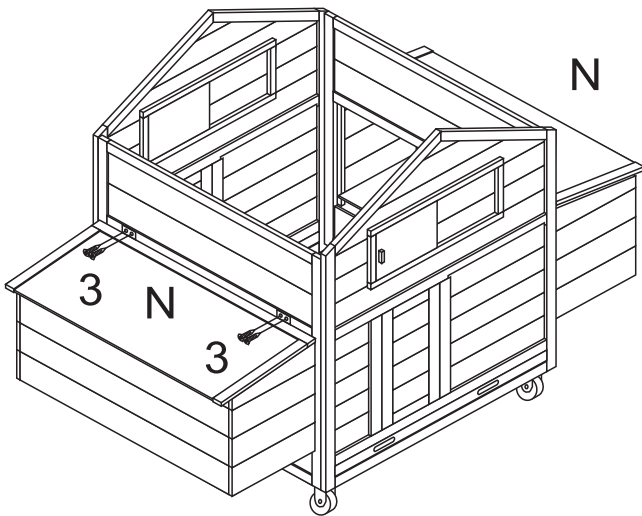
STEP 7 connect front/rear panel with left/right panel of egg cage (L+I+J; L+I+J)



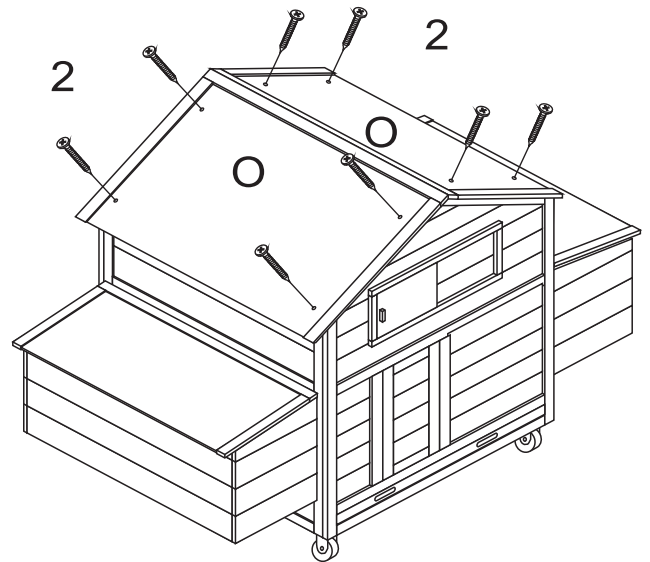
STEP 8 install 4 egg crate barriers (M+egg cage)



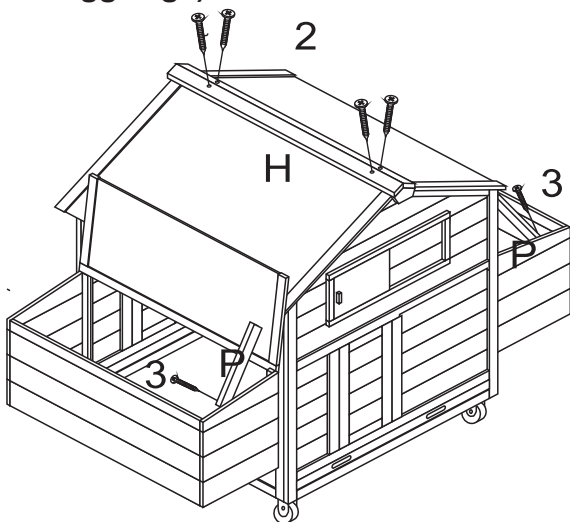
STEP 9 install egg cage roof (N+egg cage)



STEP 10 install roof panel of main cage (2*O+main cage)



STEP 11 install roof beam of main cage (H+main cage)
install support pole of egg cage (P+egg cage)



STEP 12 install metal latch for doors of main cage

