

# **INSTALLATION**

## *Product Manual*

Version: 150192US-01-25A-FC



### **IMPORTANT INFORMATION!**

please read the entire manual before starting to assemble and/or using this product. follow the manual thoroughly and keep it for further reference.



### **AVOID SCRATCHES!**

In order to avoid scratching this furniture should be assembled on a soft layer - could be a rug.



### **IMPROVE EFFICIENCY !**

Try to find a partner to install with you, which can speed up the installation efficiency and shorten the time.



### **ANTI-TOPPLE WARNING !**

Overtured furniture can cause serious or fatal crush injuries. To prevent tipping over, be sure to use the wall attachment, if not included with this product. Please purchase the wall attachment that fit your wall. If unsure, seek professional advice. Please read and follow each step of the instructions carefully.

### **IMPORTANT !**

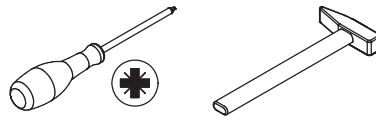
It is important that any product which is assembled using any kind of screw is re-tightened 2 weeks after assembly, and once every 3 months - in order to assure stability through-out the lifespan of the product.

For regular maintenance and cleaning of the product, for the frame, please use a rag dipped in neutral detergent to fully wipe it, and then dry it with a clean rag. For glass materials, wipe with a rag dampened with water glass cleaner, and then dry with a dry rag.

Do not use an electric screwdriver, and do not use too much force when installing, because the board is easy to break.

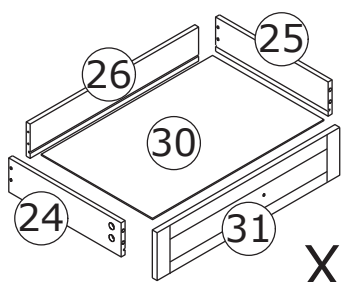
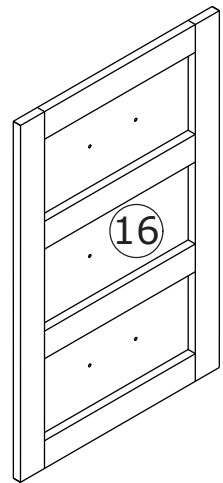
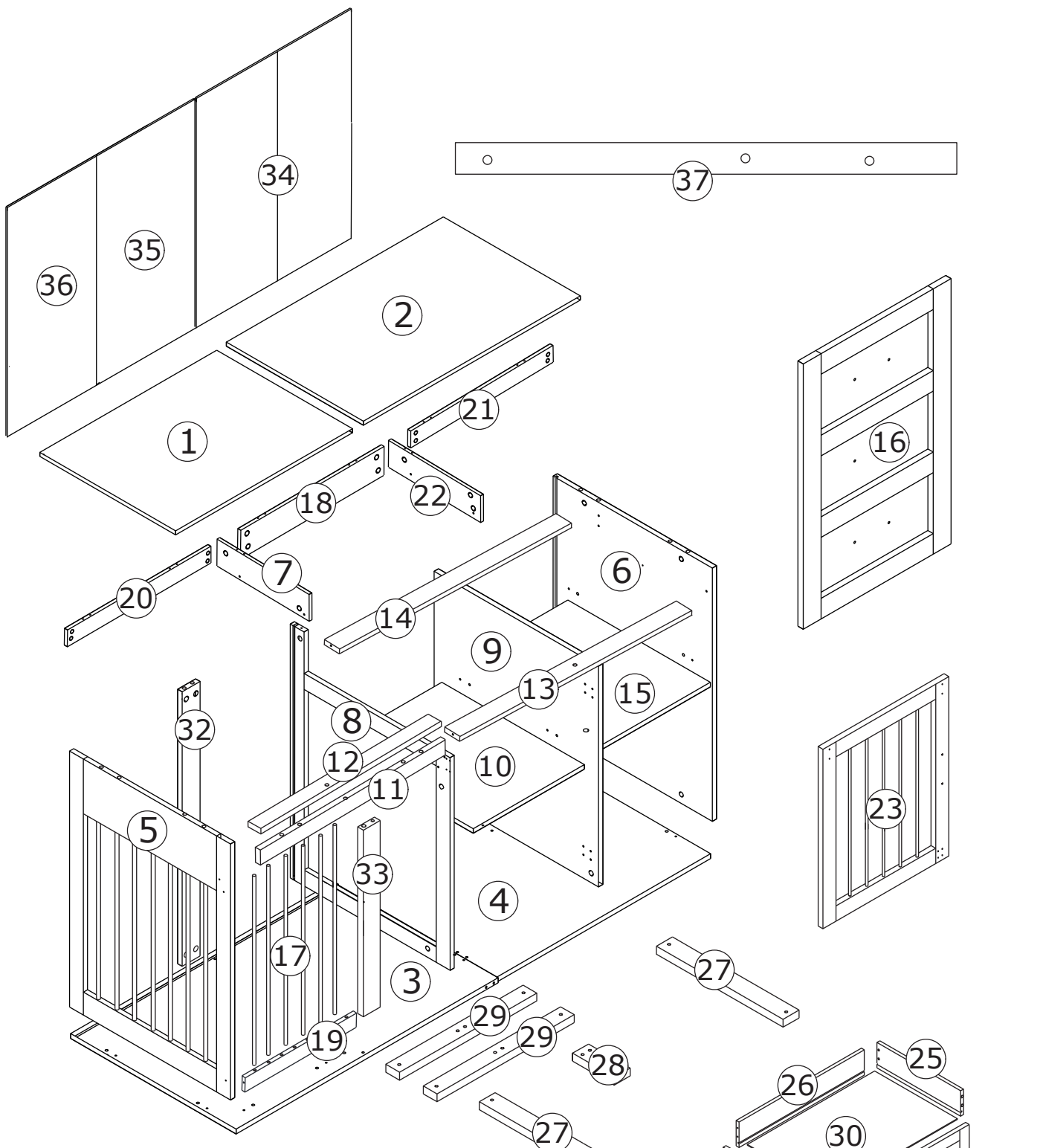


Please prepare the following tools



When installing, please carefully confirm whether each screw corresponds to the manual, accessories with similar shapes can be distinguished by size

A x 81+5  Ø 6 x 35 mm	B x 23+5  Ø 15 x 11 mm	C x 58+5  Ø 15 x 9.5 mm	D x 16  Ø 8 x 30 mm	E x 26  Ø 3 x 12 mm
F x 12+1  Ø 4 x 30 mm	G x 6  Ø 4 x 9 mm	H x 1 	J x 22+1  Ø 6 x 30 mm	K x 1 
L x 3  L = 300 mm	M x 1 	N x 22+2  Ø 6 x 30 mm	O x 2  Ø 3.5 x 16 mm X 2	P x 1 
Q x 2 	R x 6 	S x 3 	T x 3  Ø 6 x 45 mm	U x 16+1  Ø 3.5 x 14 mm
V x 2 	W x 14+1  Ø 3.5 x 14 mm	X x 16+1 	Y x 4  Ø 3.5 x 16 mm	



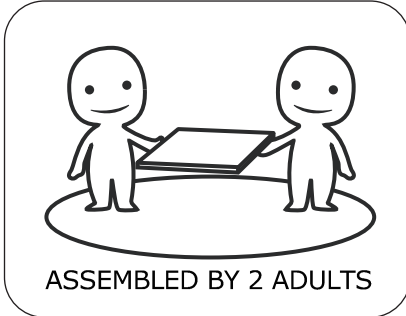
X 3

**⚠ WARNING**

**Children have died from furniture tipover. To reduce the risk of furniture tipover:**

- ALWAYS install Anti-tip device provided.
- NEVER put a TV on this product.
- NEVER allow children to stand, climb or hang on drawers, doors, or shelves.
- NEVER open more than one drawer at a time.
- Place heaviest items in the lowest drawers.

*This is a permanent label. Do not remove!*

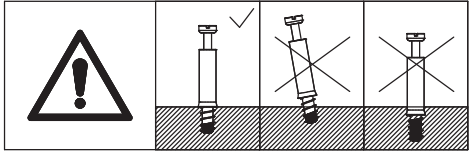
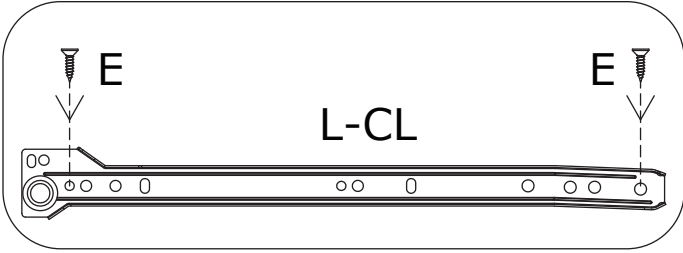


1

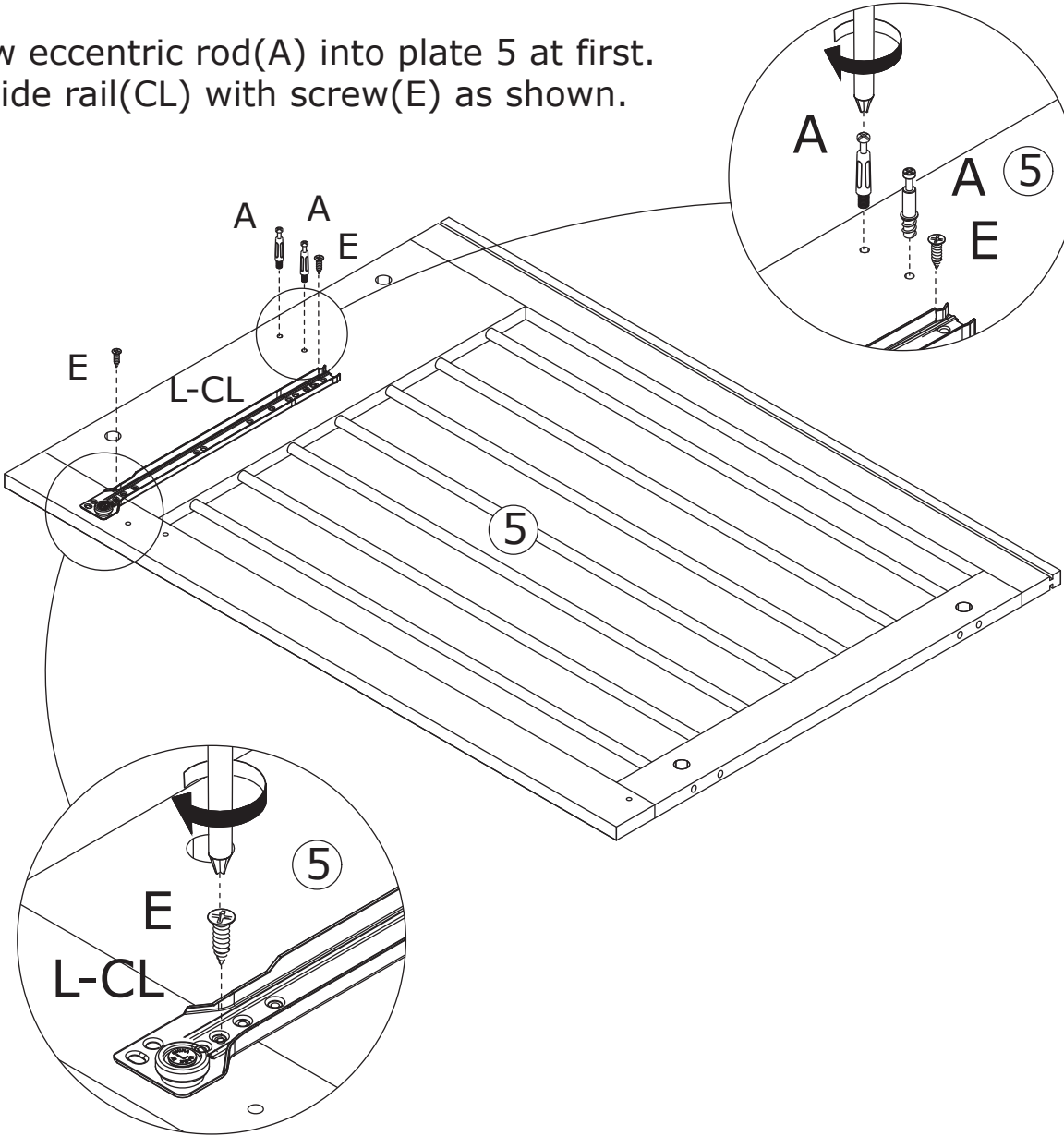
A x 2  
Ø6 x 35 mm

E x 2  
Ø3 x 12 mm

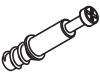


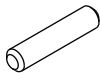
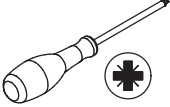
L x 1  
CL  
L = 300 mm

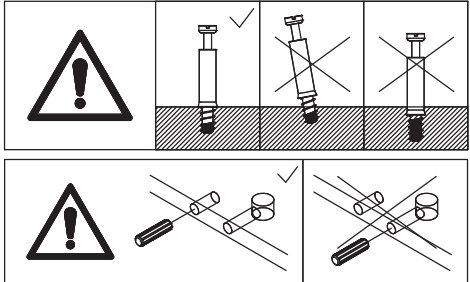
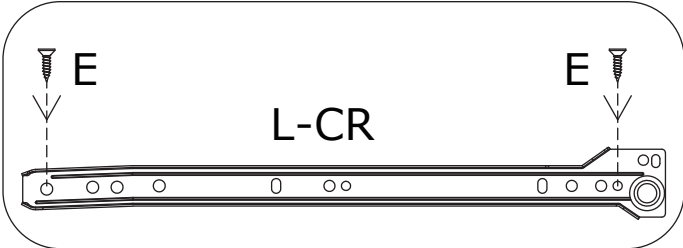


Screw eccentric rod(A) into plate 5 at first.  
Fix slide rail(CL) with screw(E) as shown.

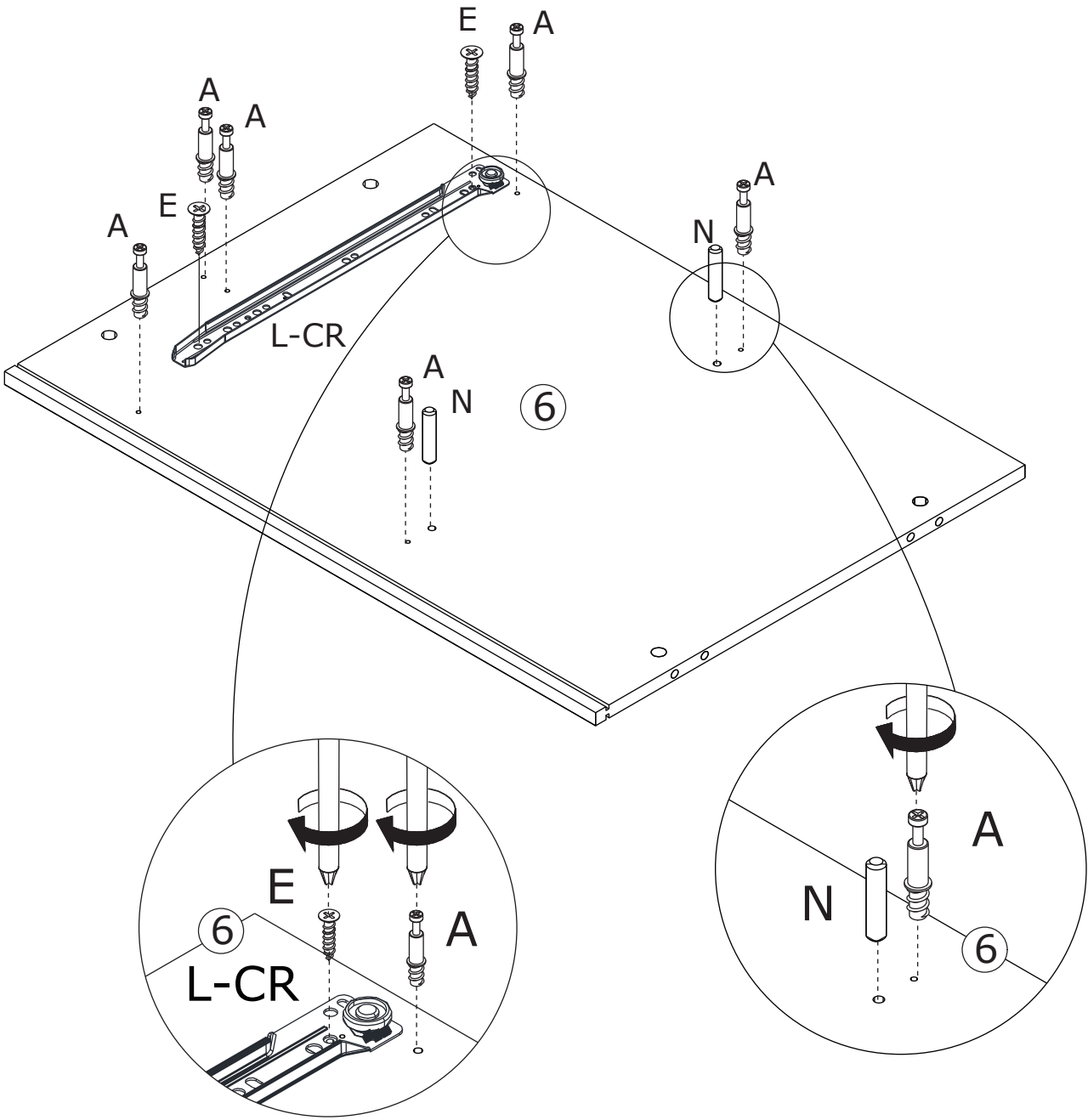


2

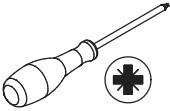
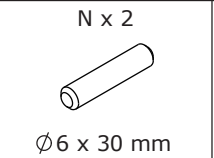
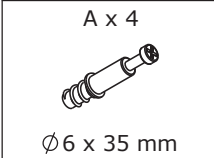
<p>A x 6</p>  <p>Ø6 x 35 mm</p>	<p>E x 2</p>  <p>Ø3 x 12 mm</p>	<p>L x 1</p>  <p>CR L = 300 mm</p>	<p>N x 2</p>  <p>Ø6 x 30 mm</p>	
--	--	---	---	---



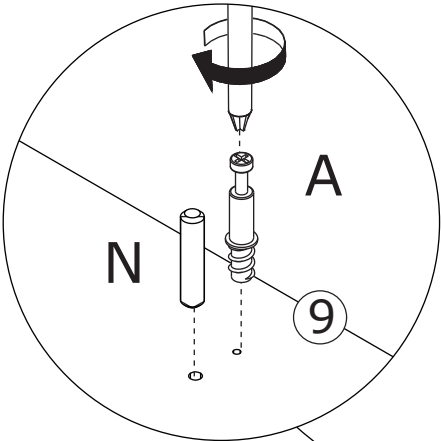
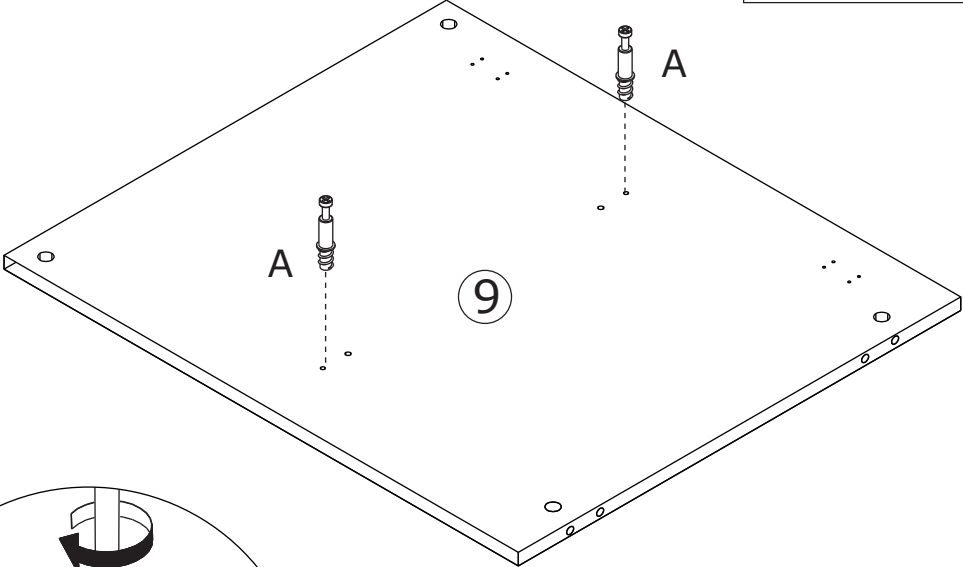
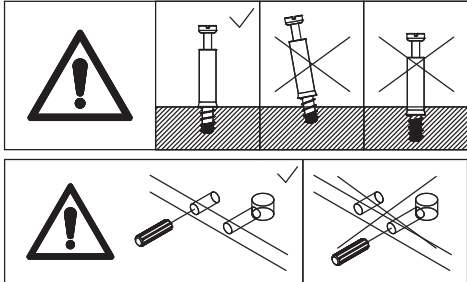
Screw eccentric rod(A) and insert wooden dowel(N) into board 6 at first. Fix slide rail(CR) with screw(E) as shown.



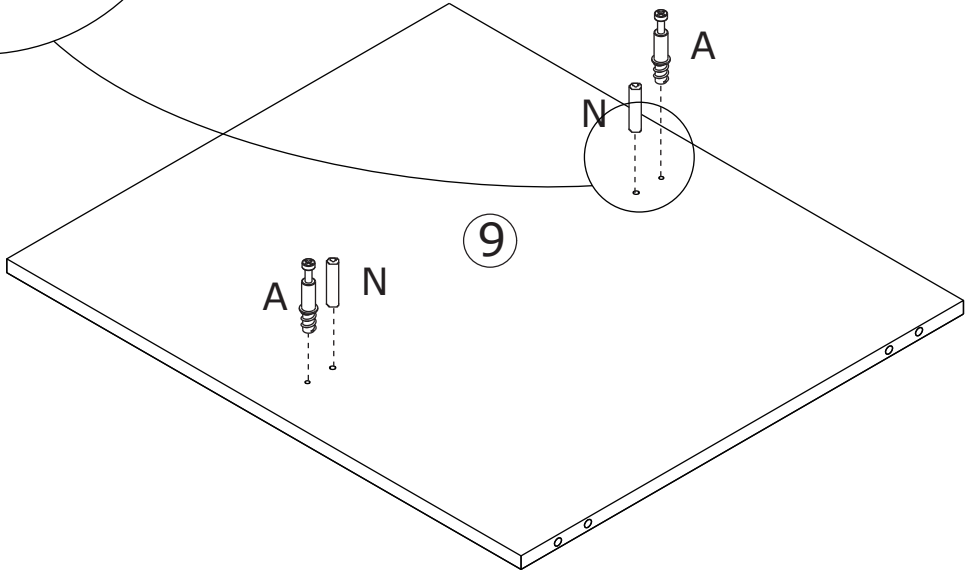
3



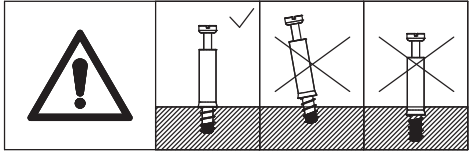
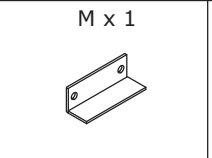
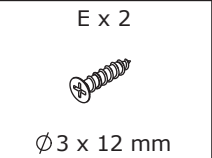
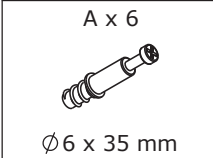
Screw eccentric rod(A) into board 9 at first.  
**Flip to back**, screw eccentric rod(A) and  
insert wooden dowel(N) into as shown.



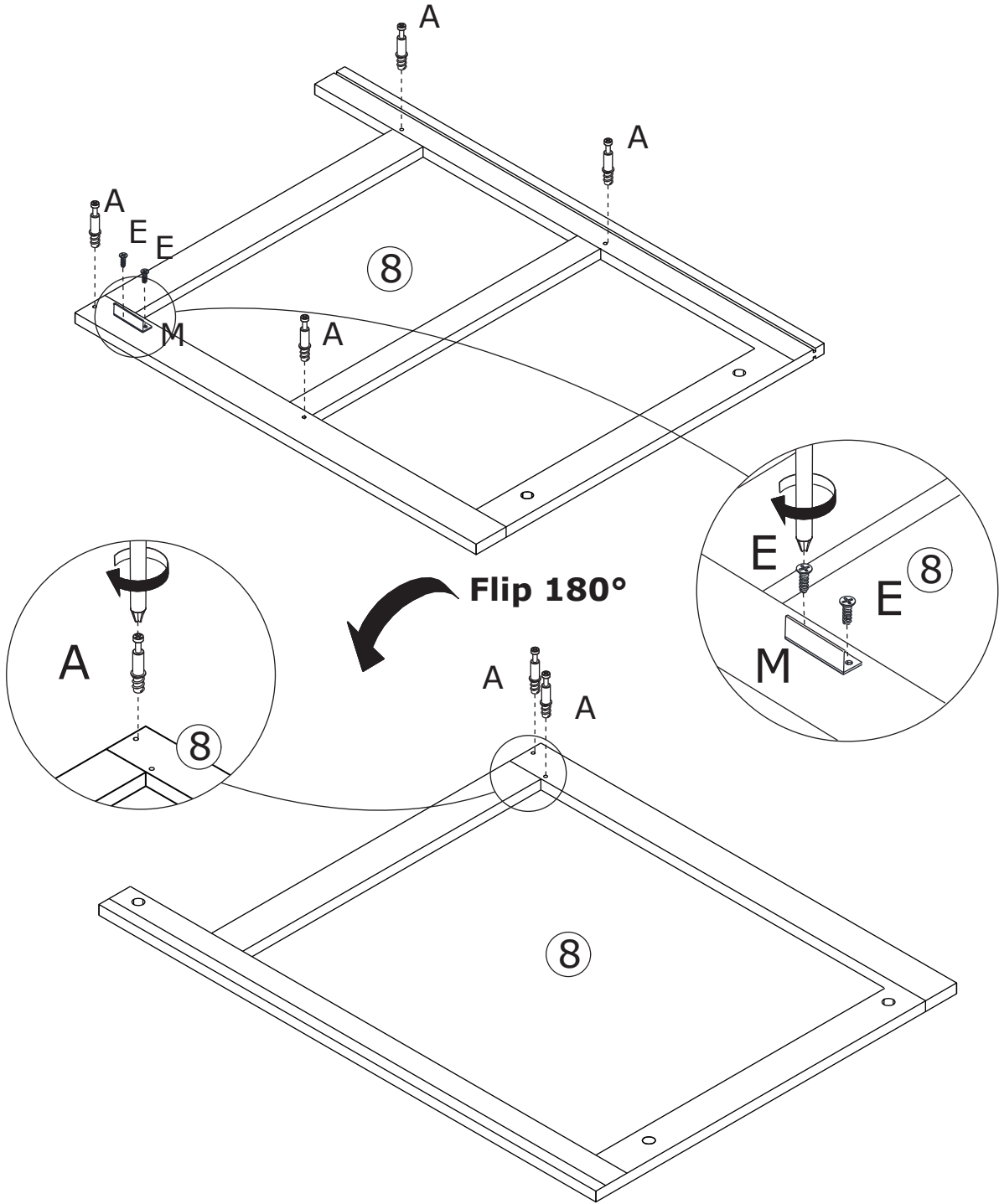
180°



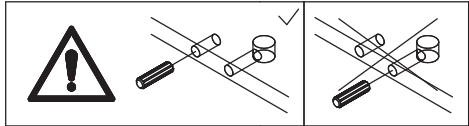
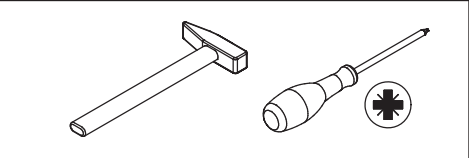
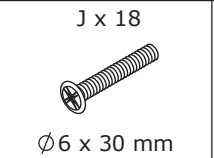
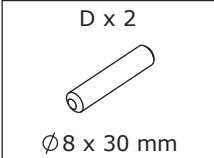
4



Screw eccentric rod(A) into plate 8 and fix part(M) with screw(E) as shown.

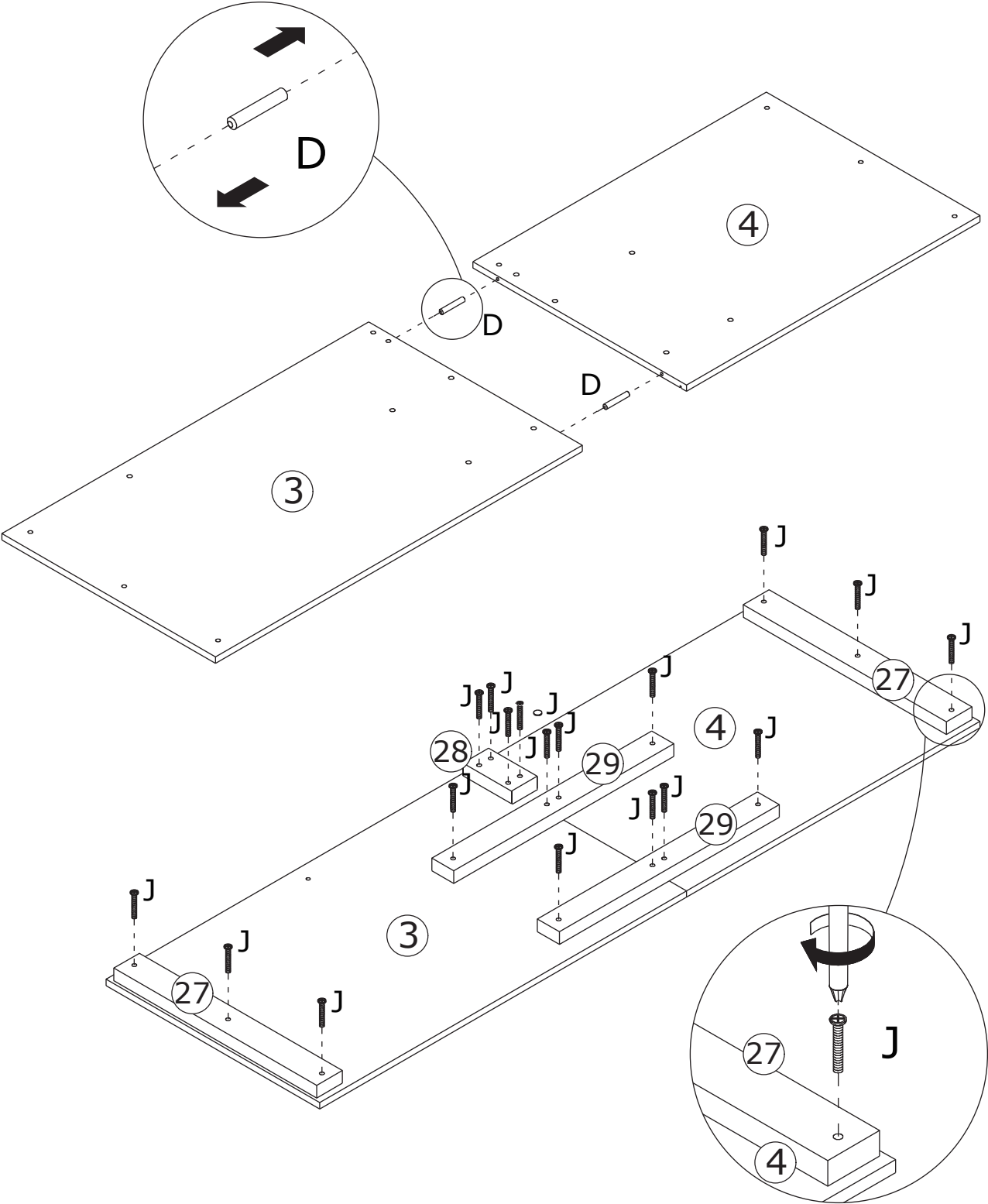


5

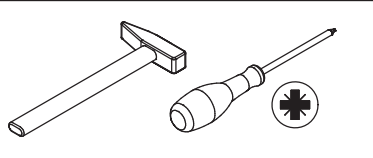
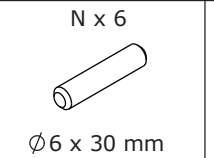
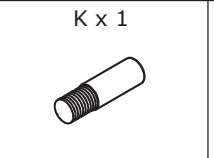
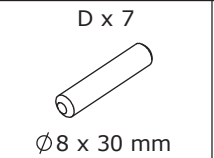


Connect board 3 to board 4 using wooden dowel(D) at first.

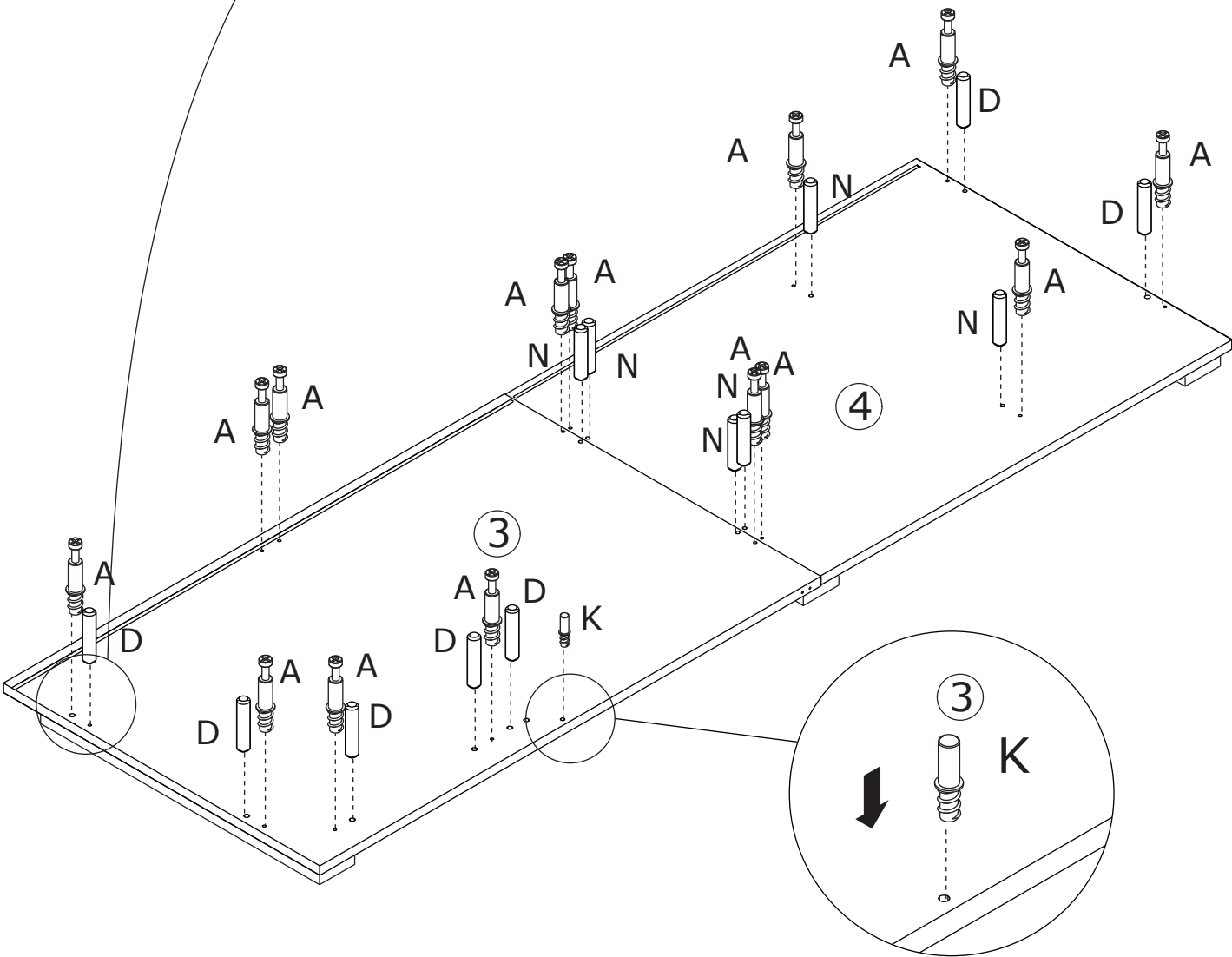
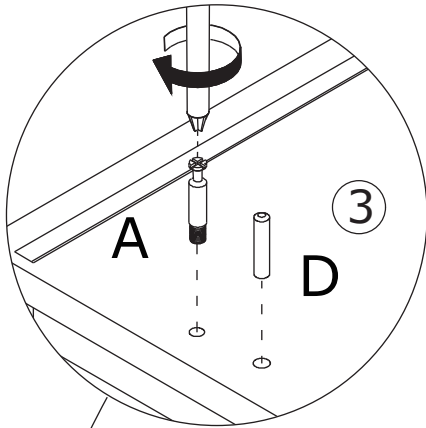
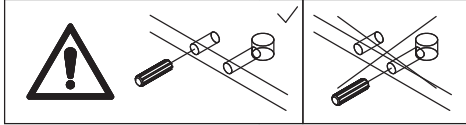
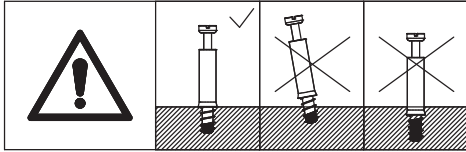
Fix board 27, 28 and 29 to board 3 and 4 with screw(J) as shown.



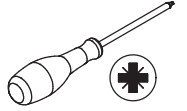
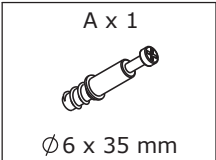
6



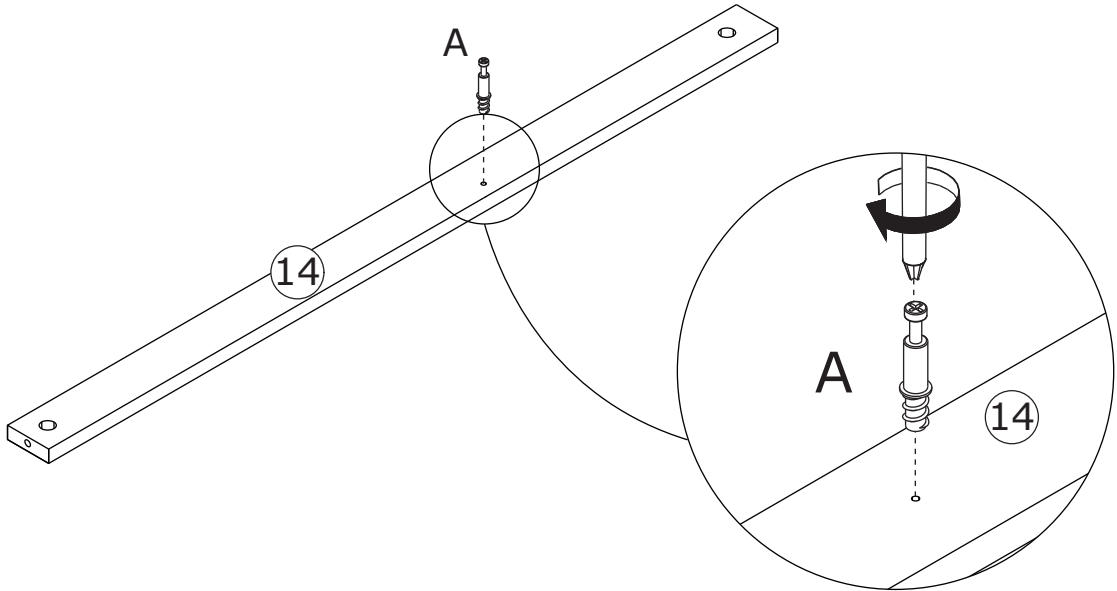
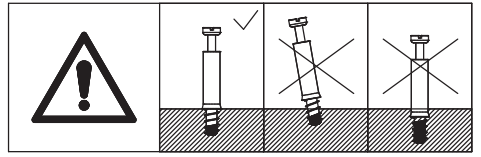
**Flip to back**, screw eccentric rod(A) and insert wooden dowel(N) into board 3 and 4 as shown.



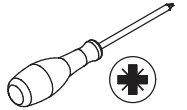
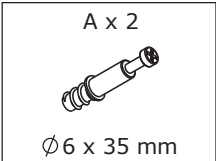
7



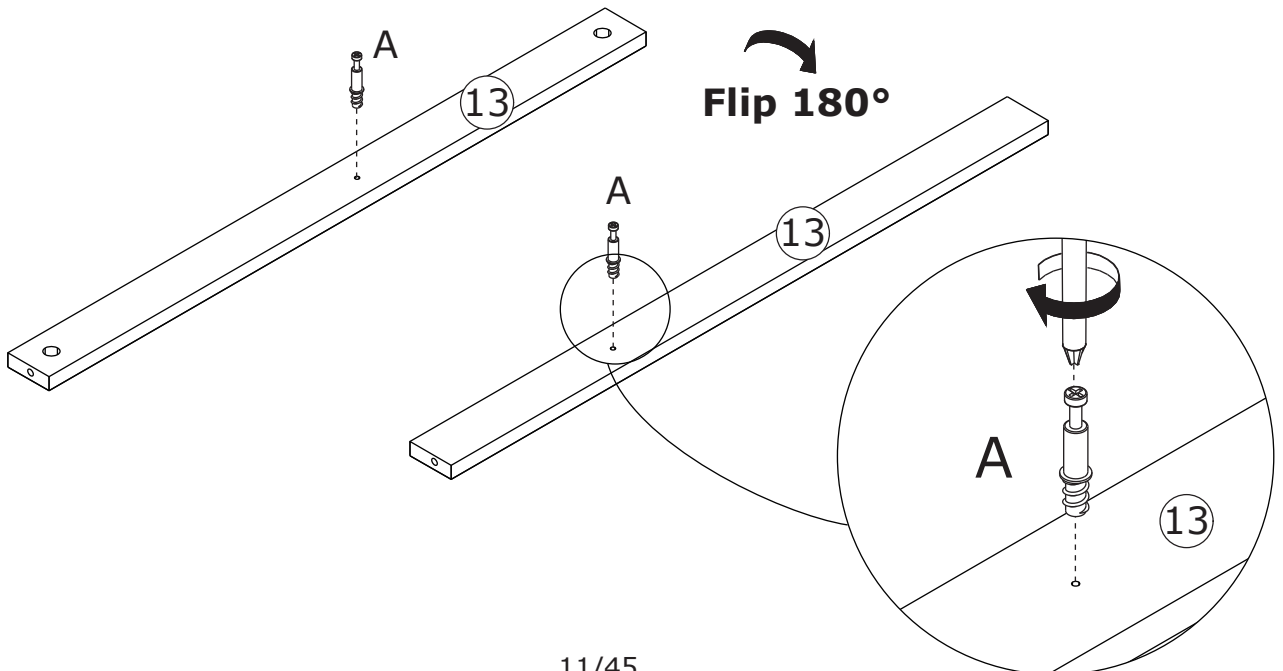
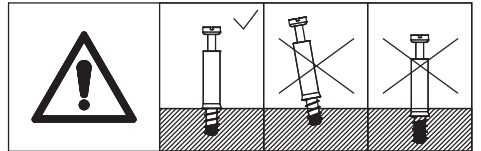
Screw eccentric rod(A) into board 14 at first.



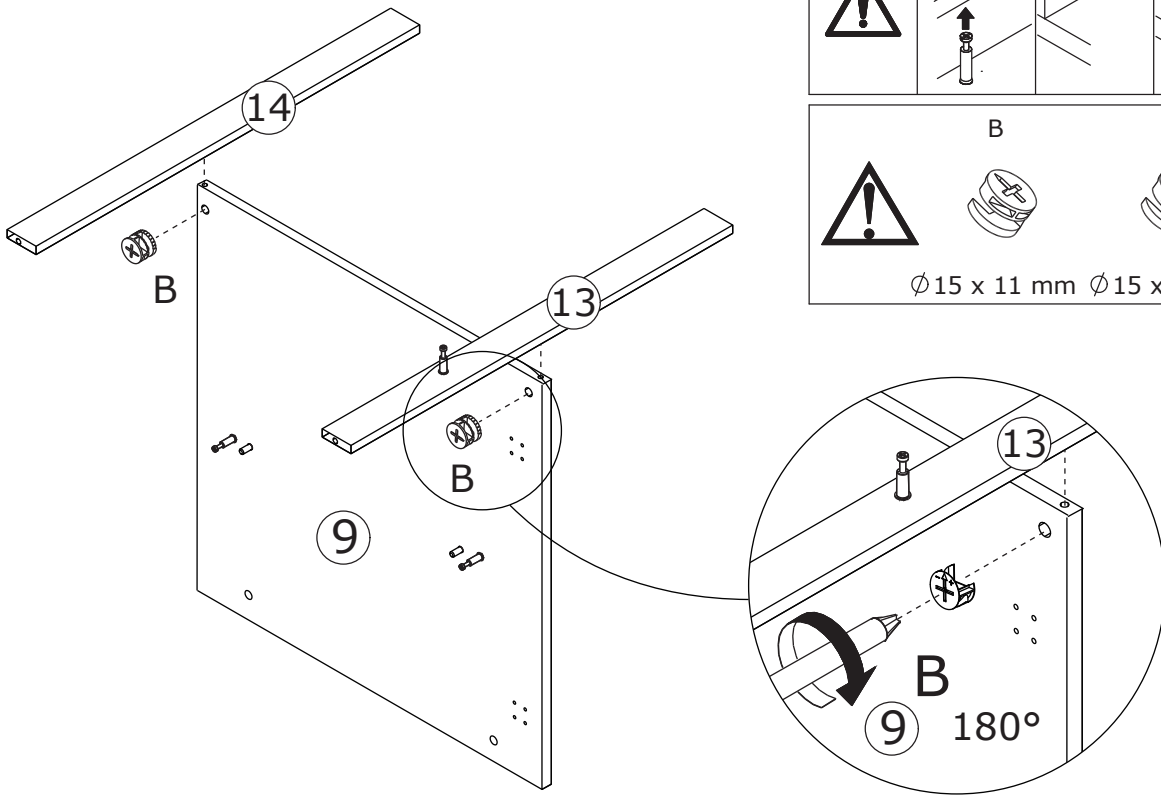
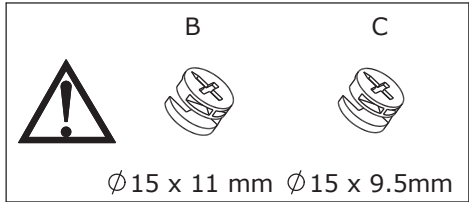
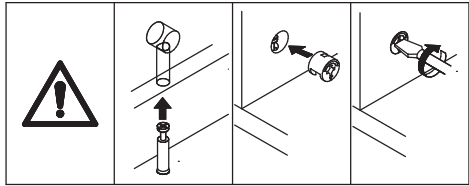
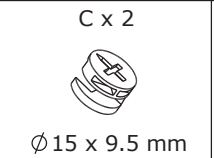
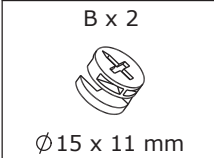
8



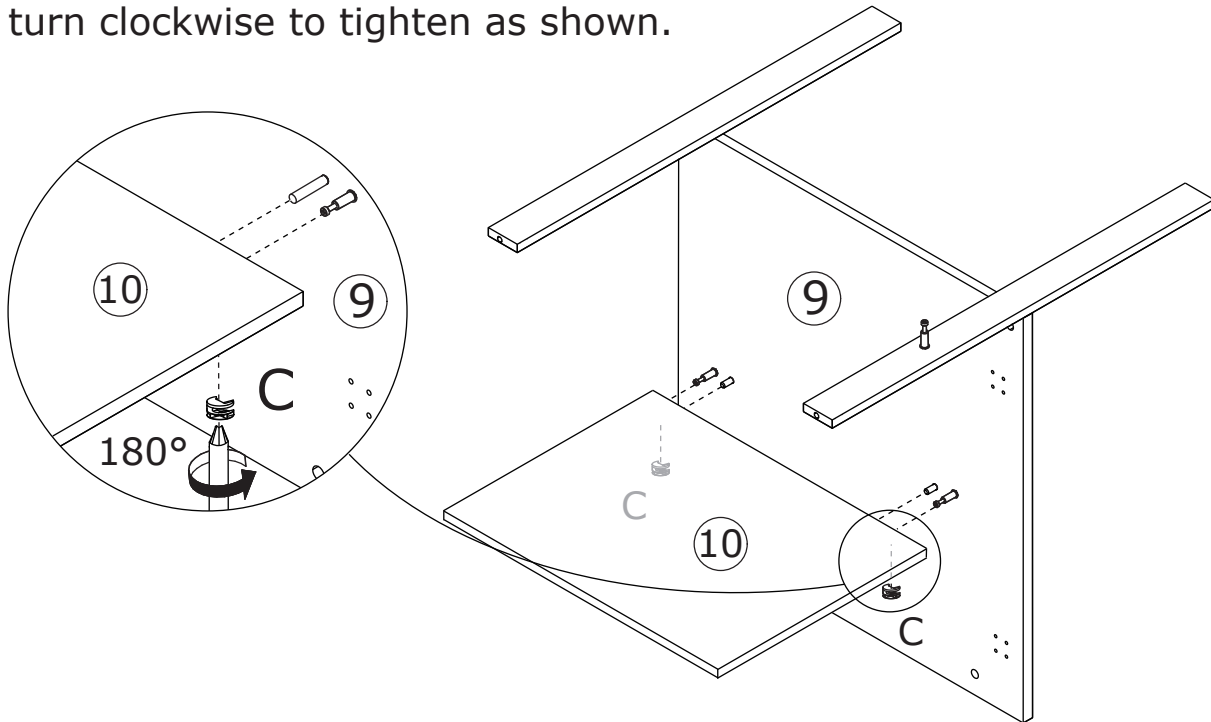
Screw eccentric rod(A) into board 13 at first.



9

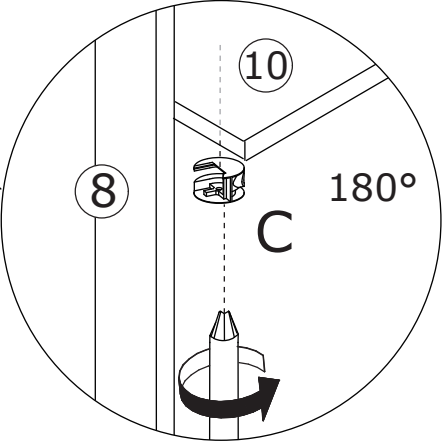
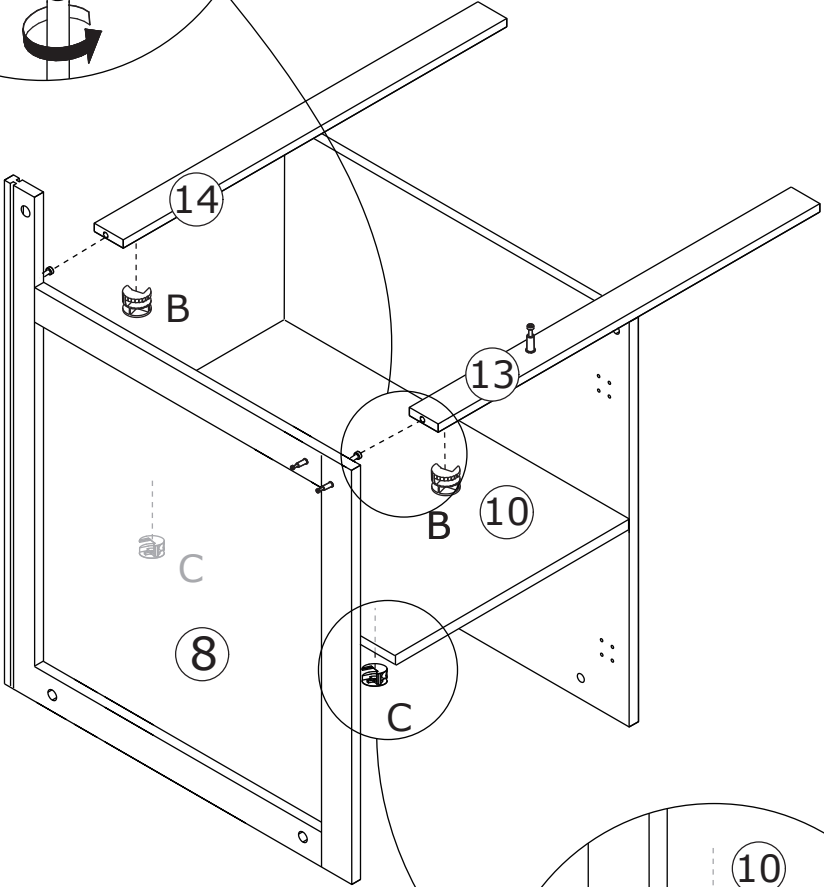
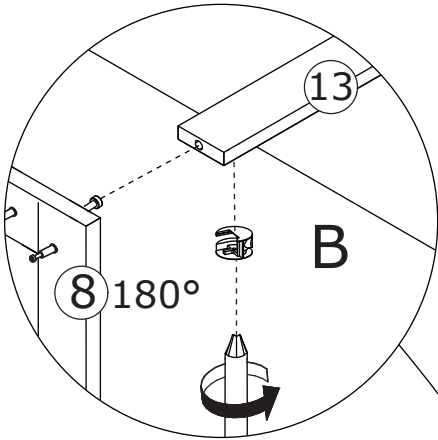
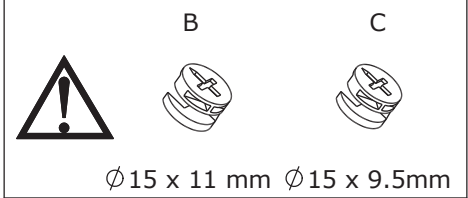
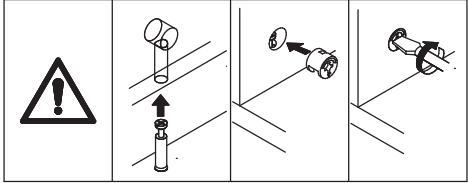
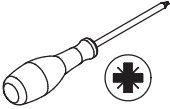
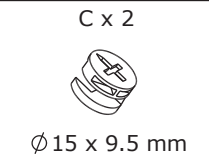
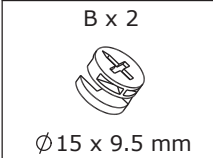


Attach board 14 and 13 to board 9, add **cam lock(B)** into board 9 and turn clockwise to tighten as shown.



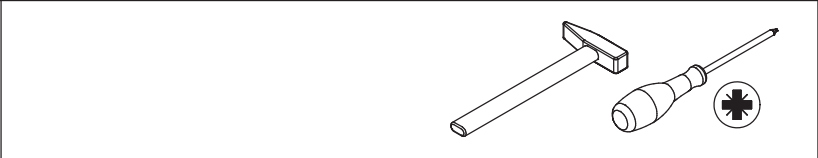
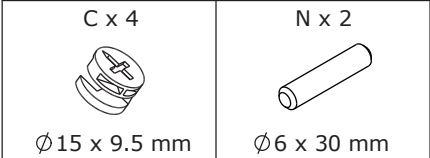
Attach board 10 to board 9, add **cam lock(C)** into board 10 and turn clockwise to tighten as shown.

10

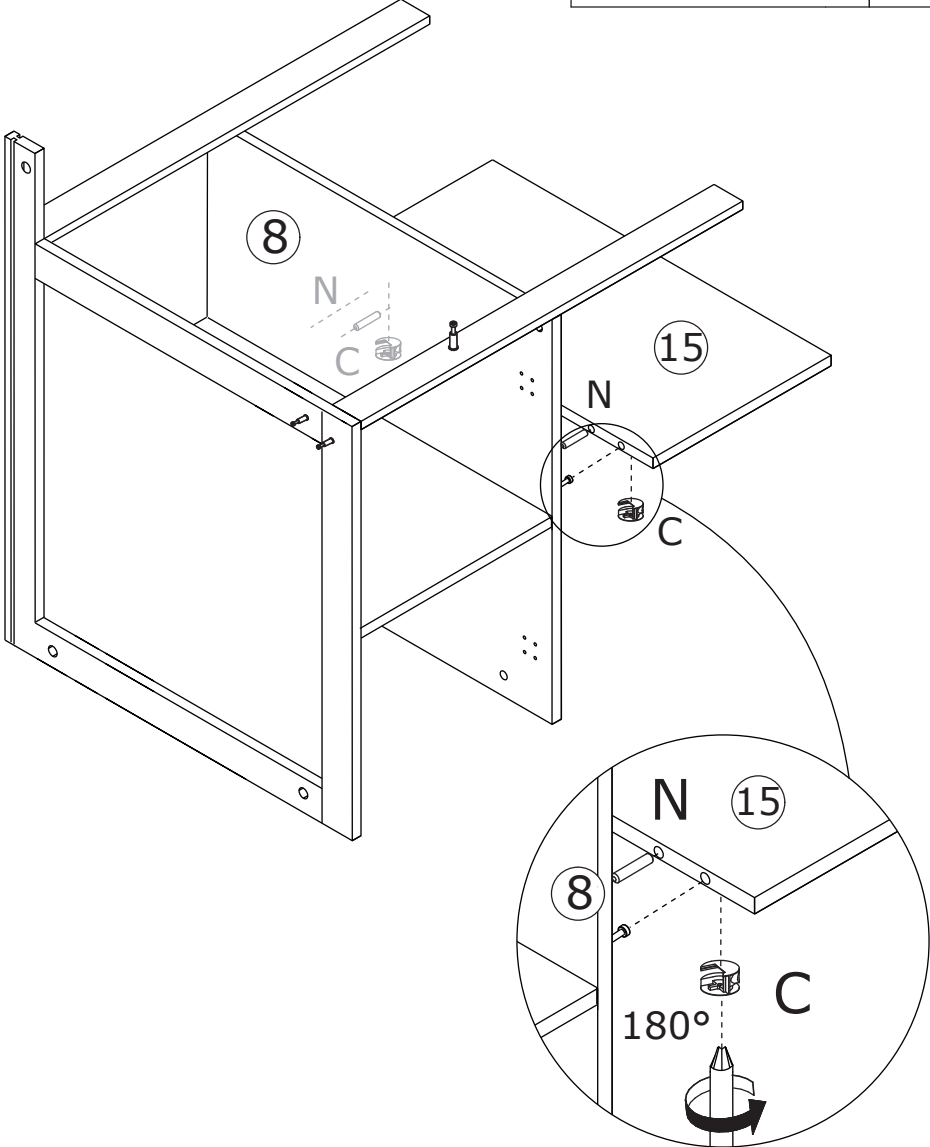
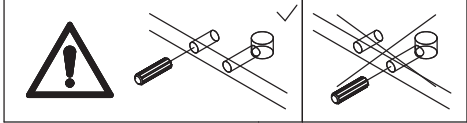
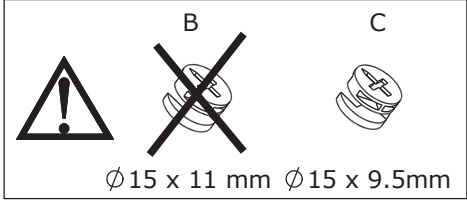
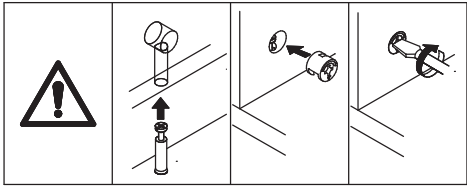


Attach board 8 to board 14, 13 and 10, add cam lock(B) into board 8; cam lock(C) into board 10 and turn clockwise to tighten as shown.

11



Attach board 15 to board 8 using wooden dowel(N), add cam lock(C) into board 15 and turn clockwise to tighten as shown.



# 12

B x 2

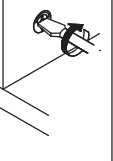
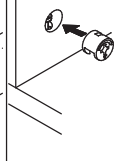
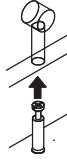
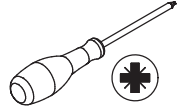


Ø 15 x 9.5 mm

C x 2



Ø 15 x 9.5 mm

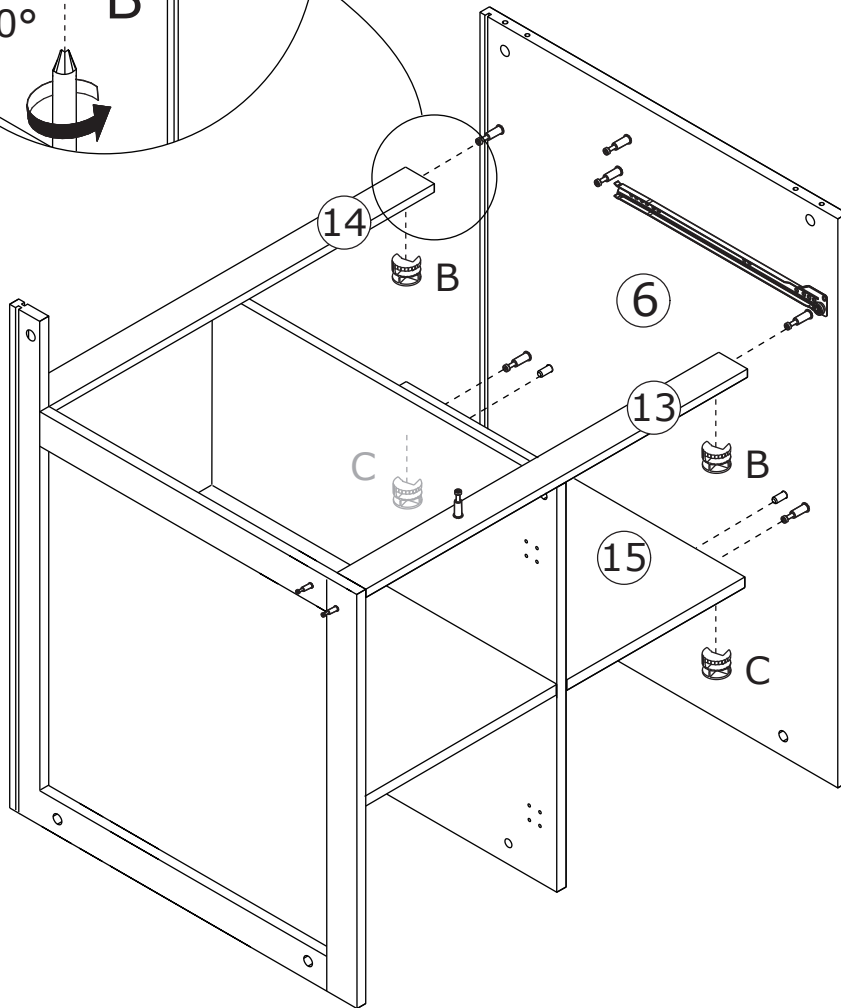
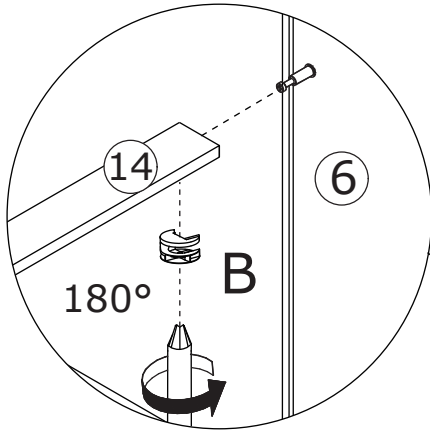


B

C




Ø 15 x 11 mm Ø 15 x 9.5mm



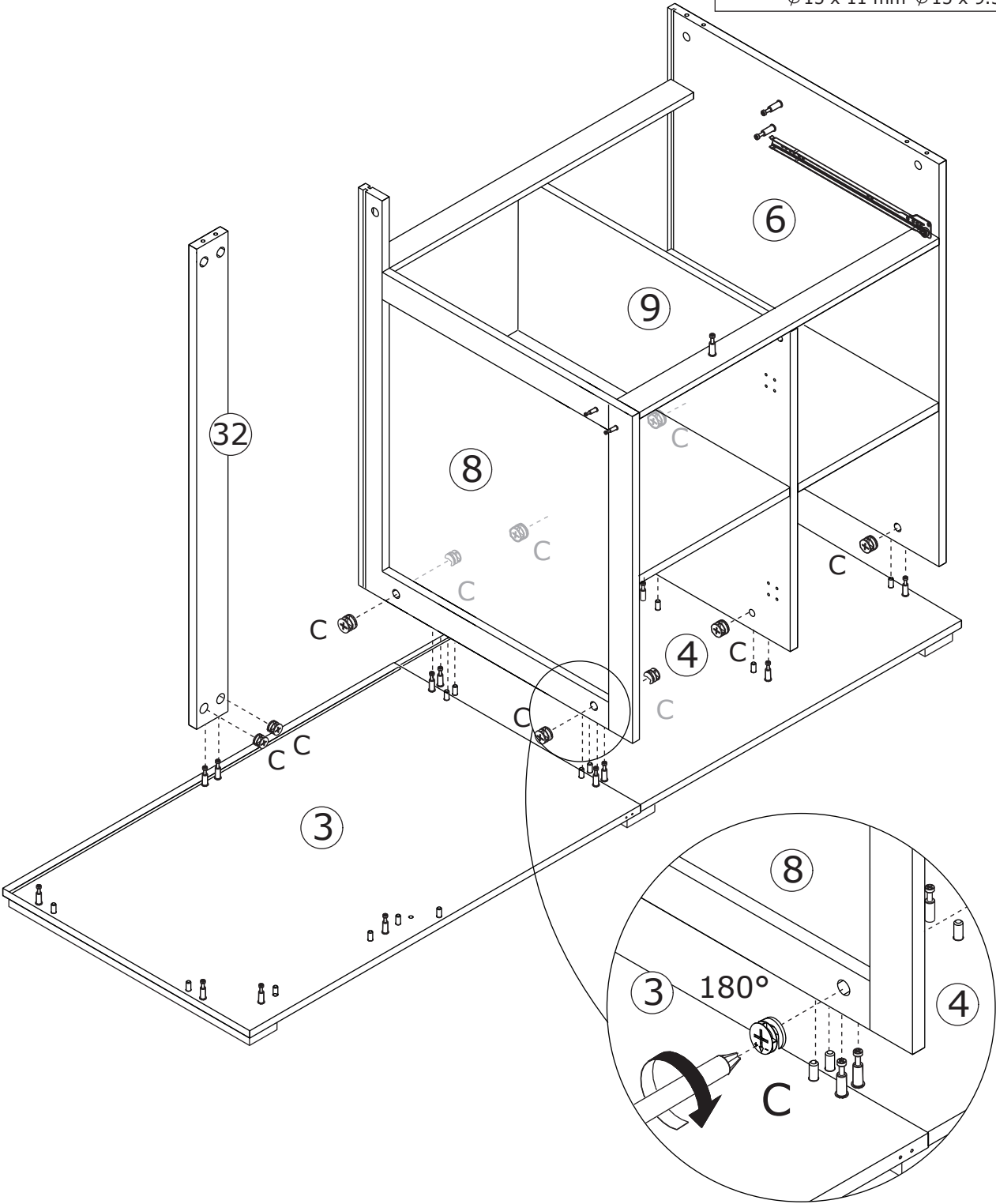
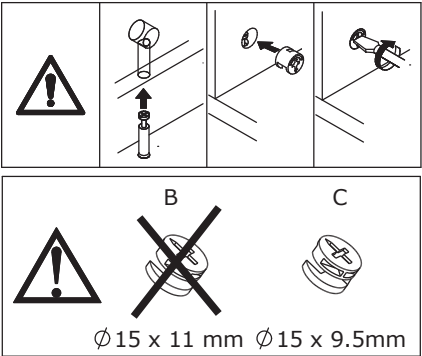
Attach board 6 to board 14, 13 and 15, add cam lock(B) into board 13, 14; cam lock(C) into board 15 and turn clockwise to tighten as shown.

# 13

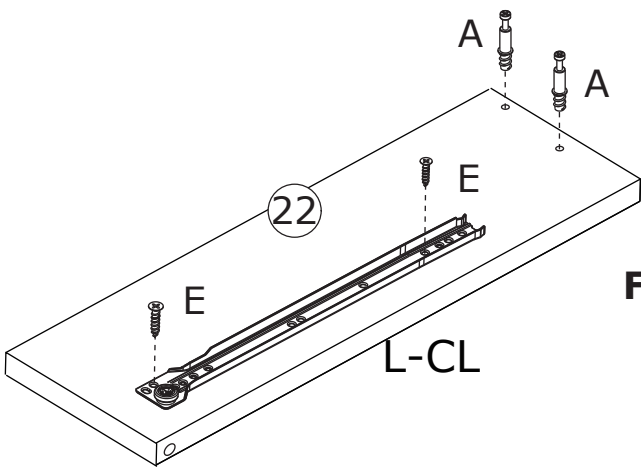
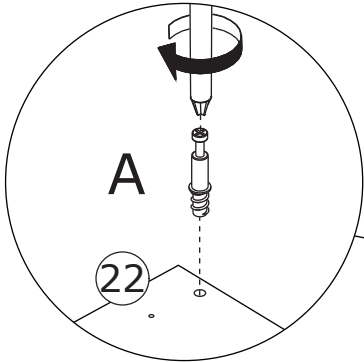
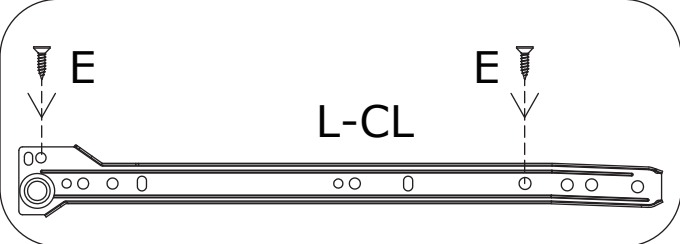
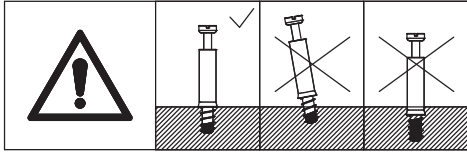
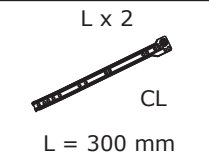
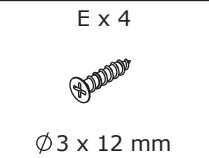
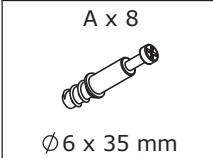
C x 10  
  
Ø 15 x 9.5 mm



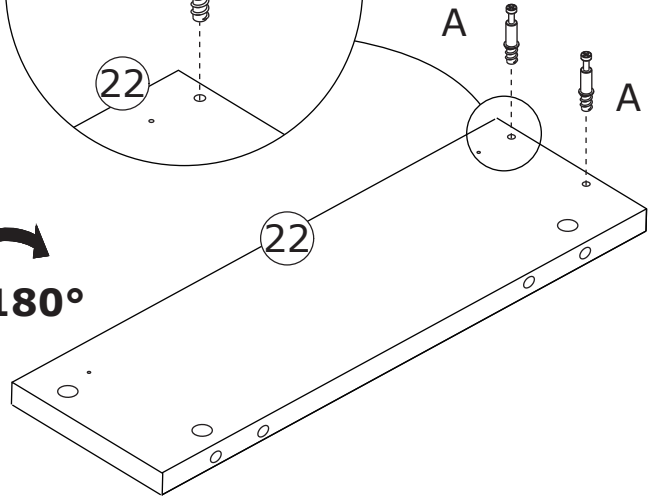
Attach the component and board 32 to board 3 and 4, and add cam lock(C) into board 6,9,8,32 then turn clockwise to tighten.



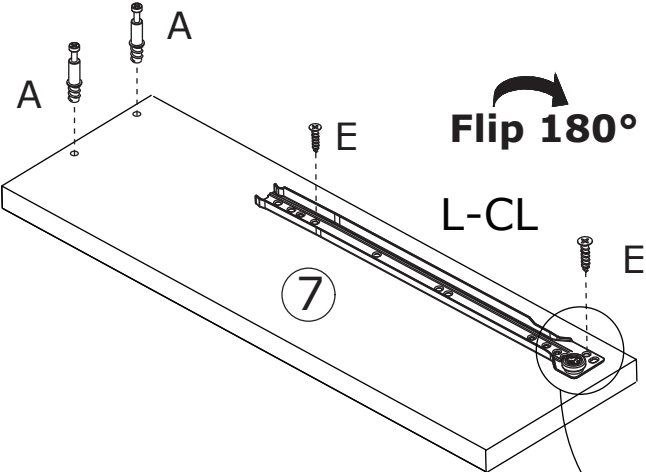
14



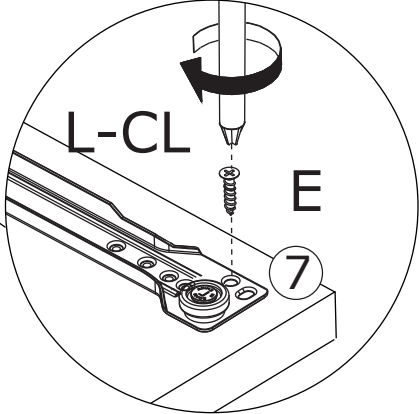
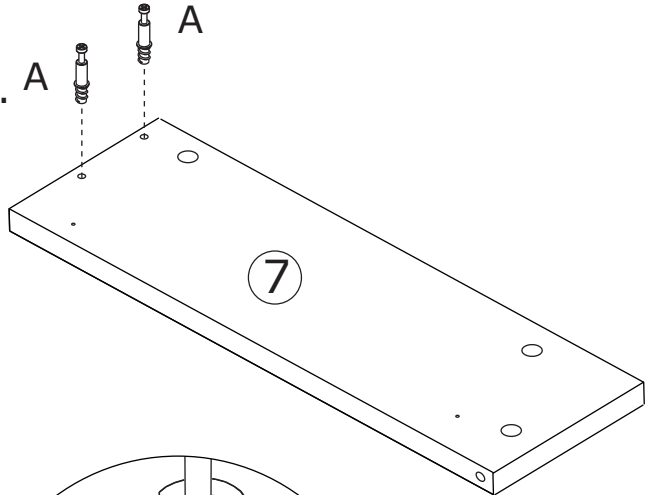
Flip 180°



Fix slide rail(CL) to board 22 and 7 respectively with screw(E) as shown. Screw eccentric rod(A) into as shown.



Flip 180°

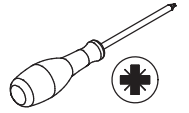


# 15

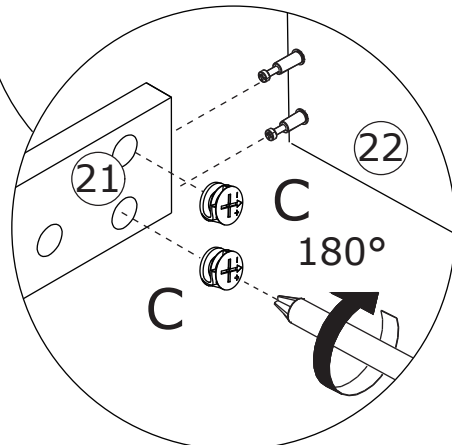
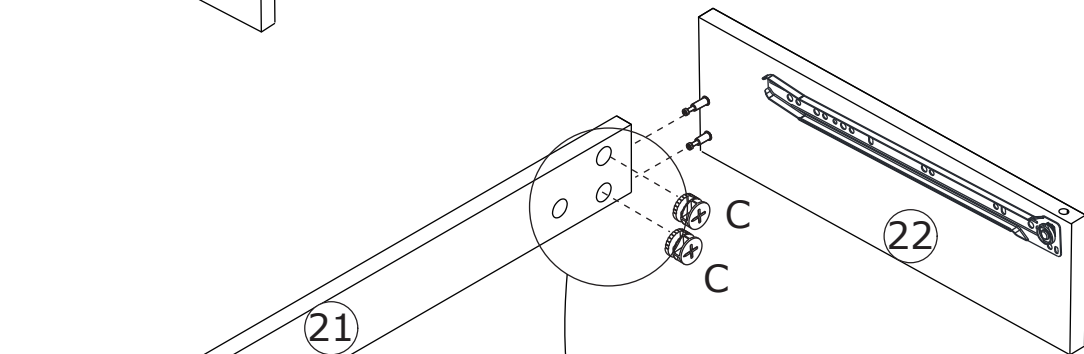
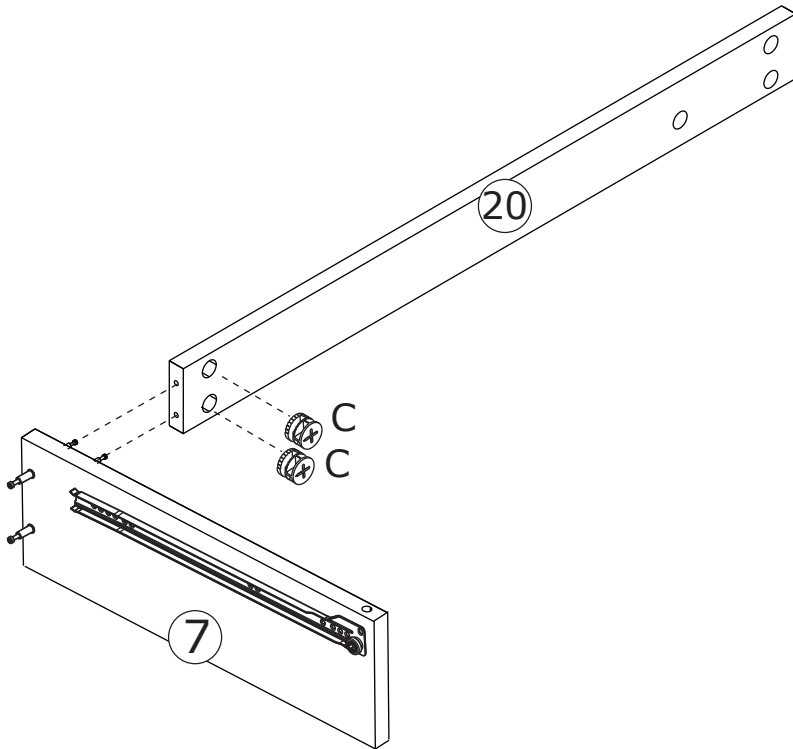
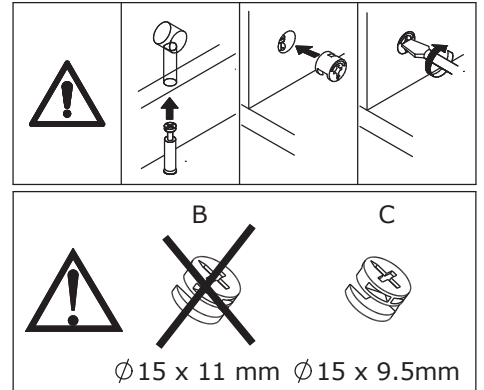
C x 4



Ø15 x 9.5 mm



Attach board 20 to board 7; board 21 to board 22, add cam lock(C) into and turn clockwise to tighten as shown.

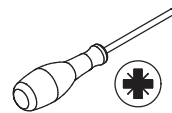


# 16

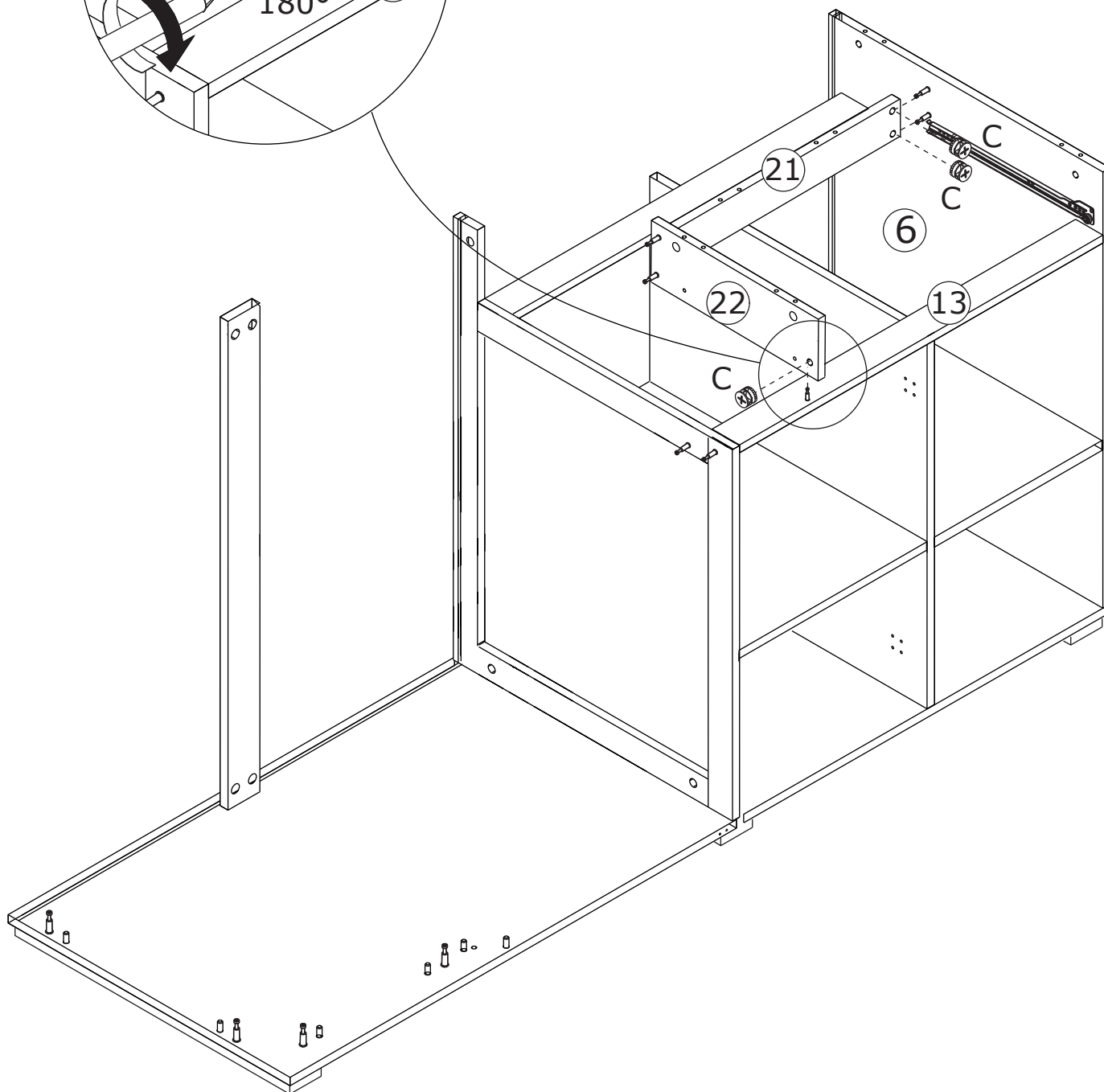
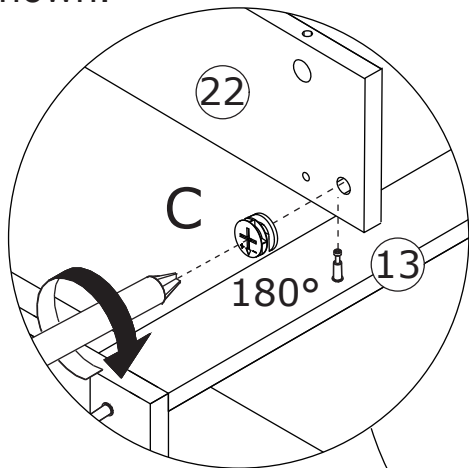
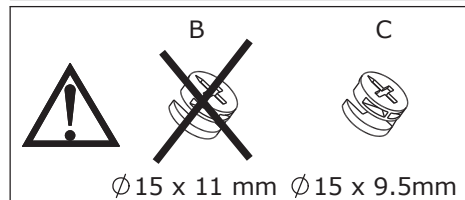
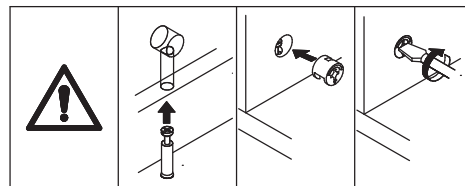
C x 3



Ø15 x 9.5 mm

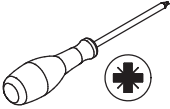


Attach board 21 and 22 to board 6 and 13, add cam lock(C) into and turn clockwise to tighten as shown.

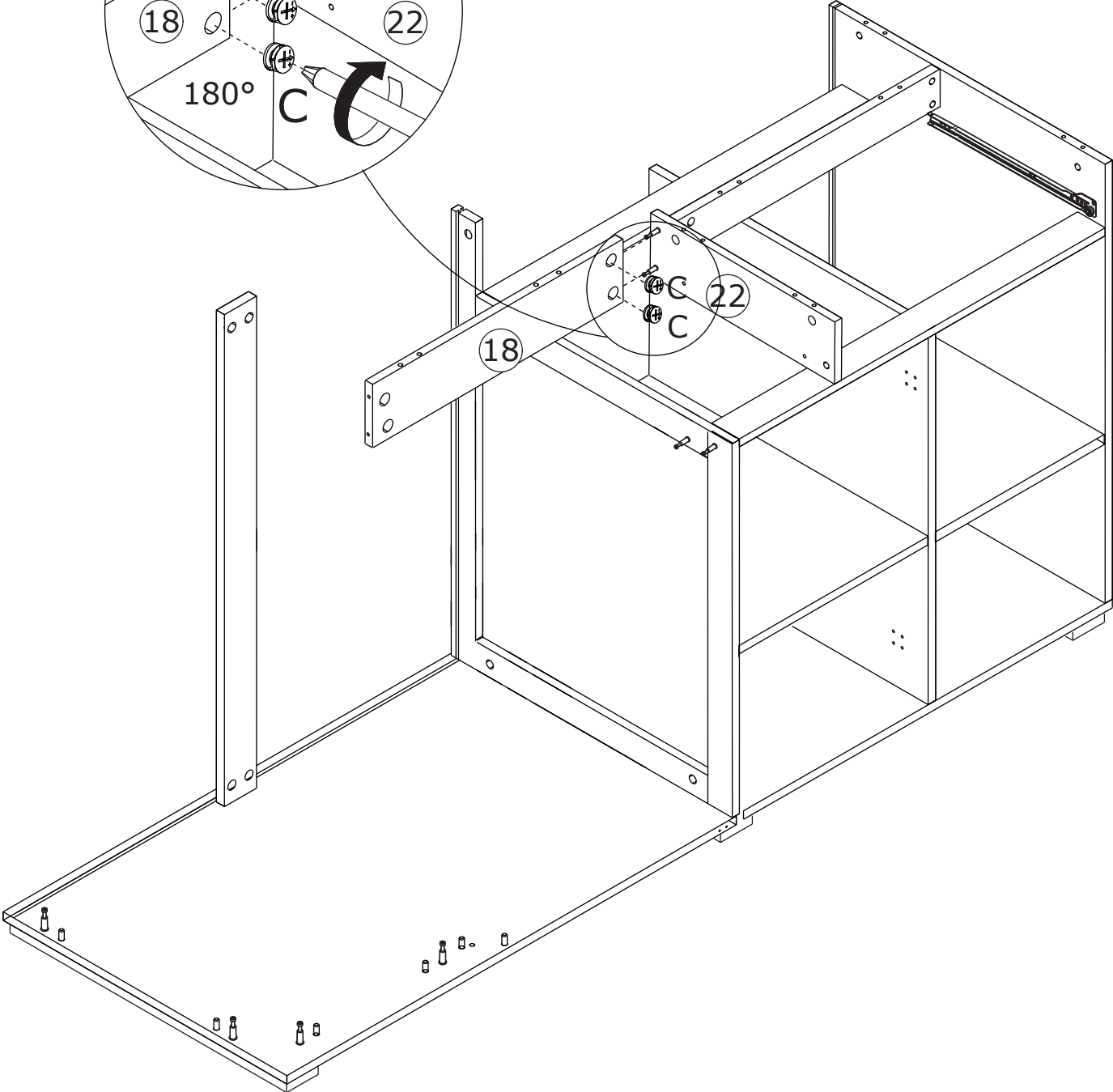
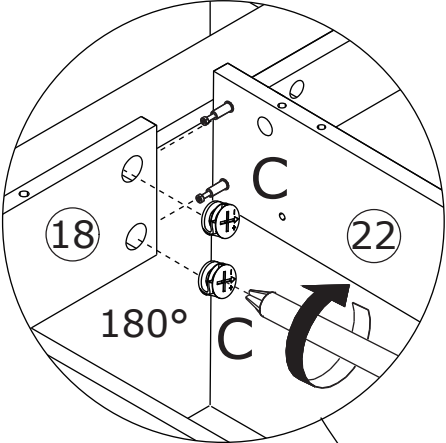
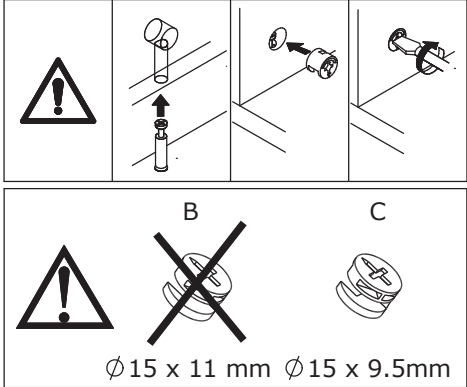


17

C x 2  
Ø15 x 9.5 mm

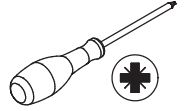
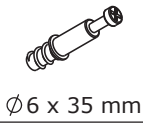


Attach board 18 to board 22, add cam lock(C) into and turn clockwise to tighten as shown.

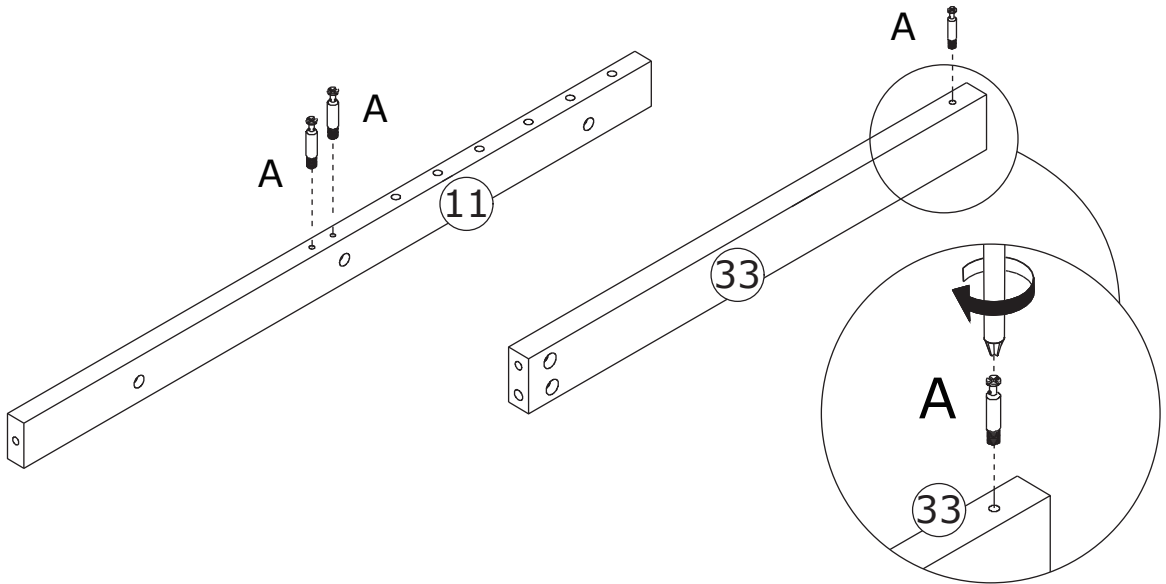
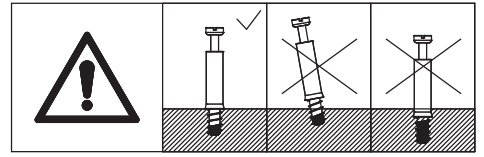


# 18

A x 3

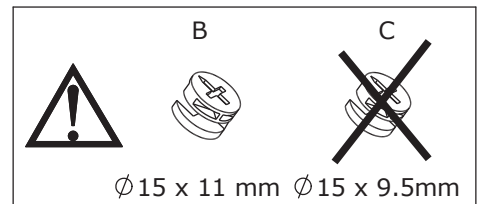
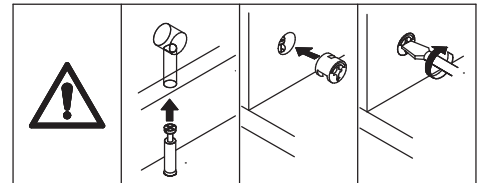
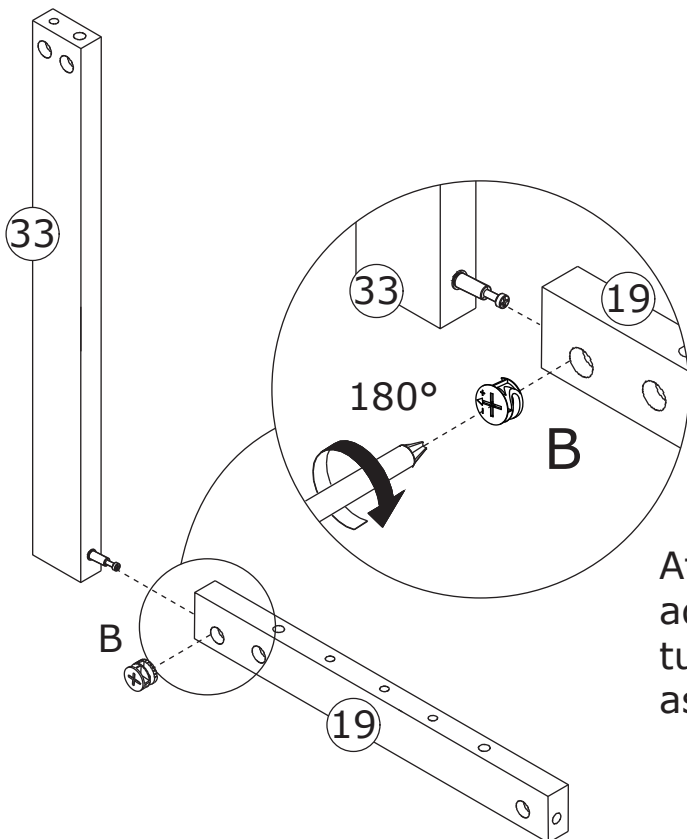
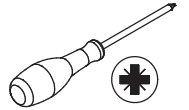
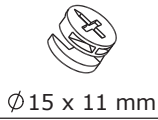


Screw eccentric rod(A) into board 19 and 33 at first.



# 19

B x 1



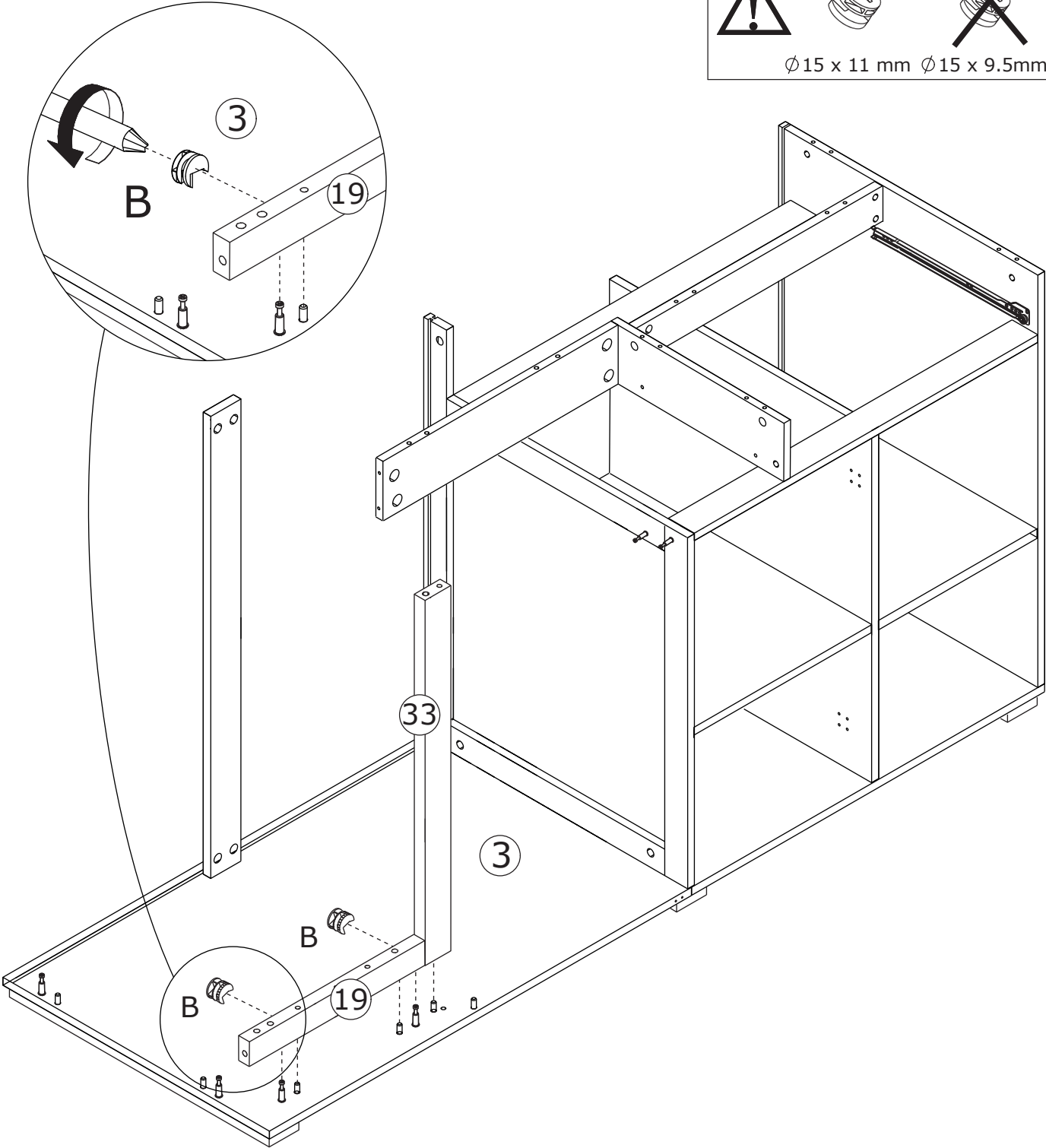
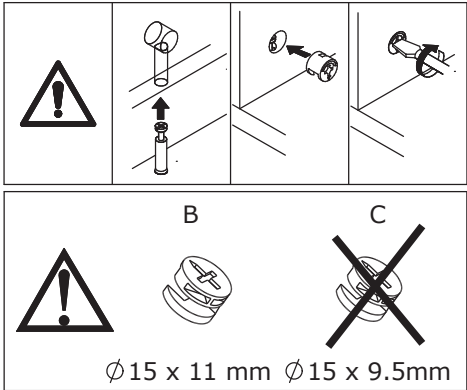
Attach board 19 to board 33, add cam lock(B) into and turn clockwise to tighten as shown.

20

B x 2  
Ø15 x 11 mm

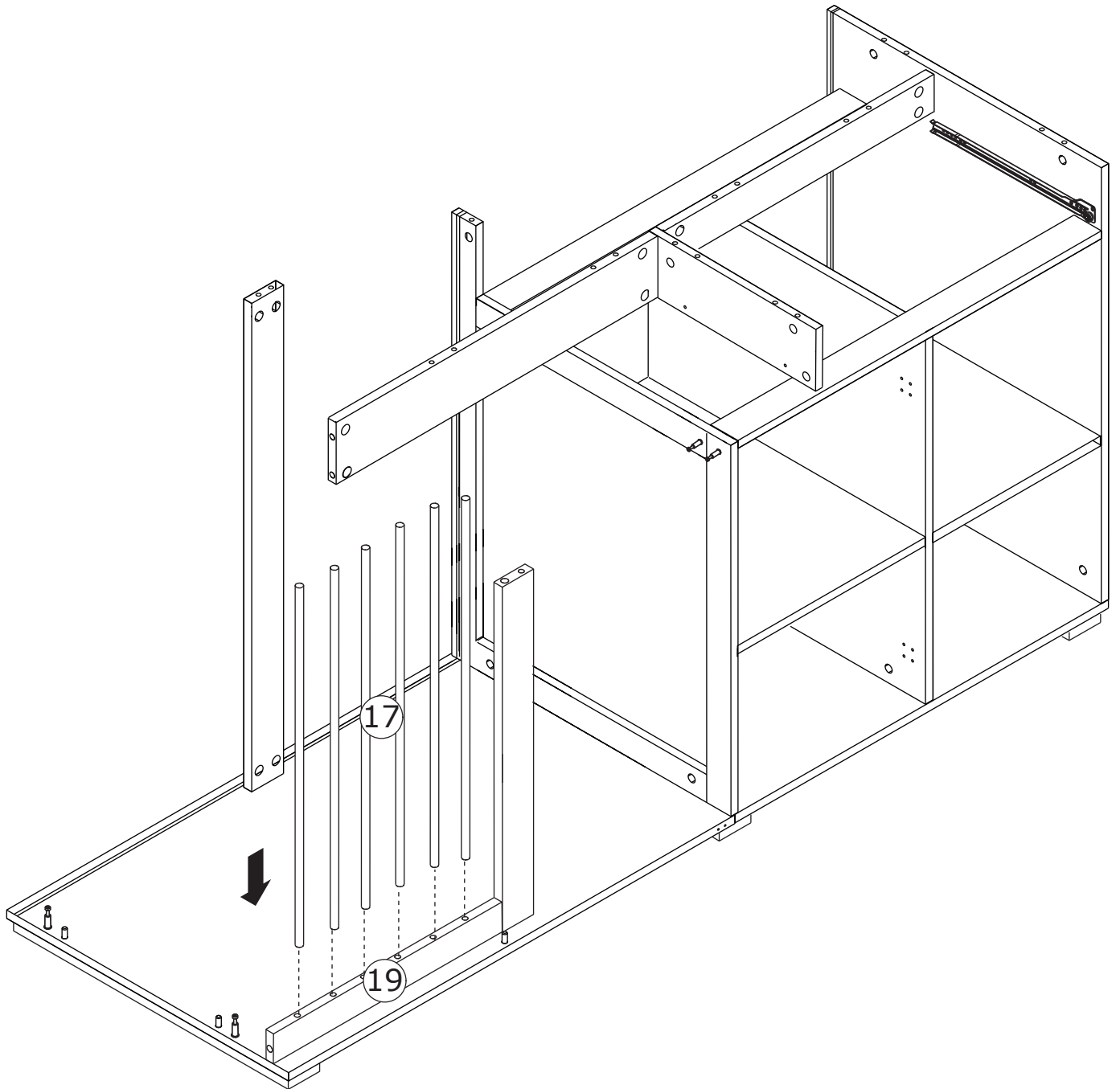


Attach board 19 and 33 to board 3, add cam lock(B) into and turn clockwise to tighten as shown.

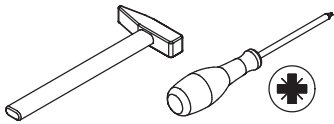
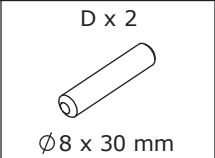
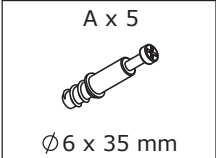


21

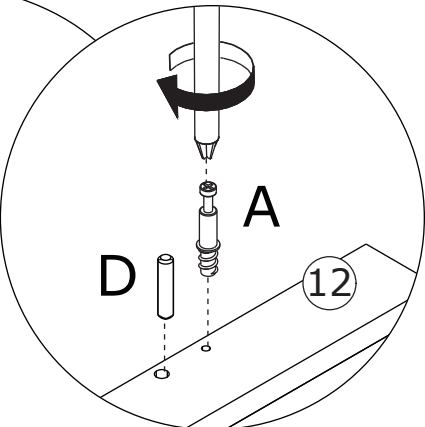
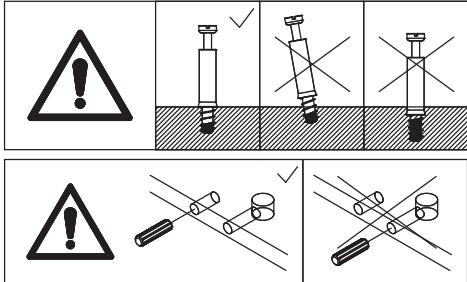
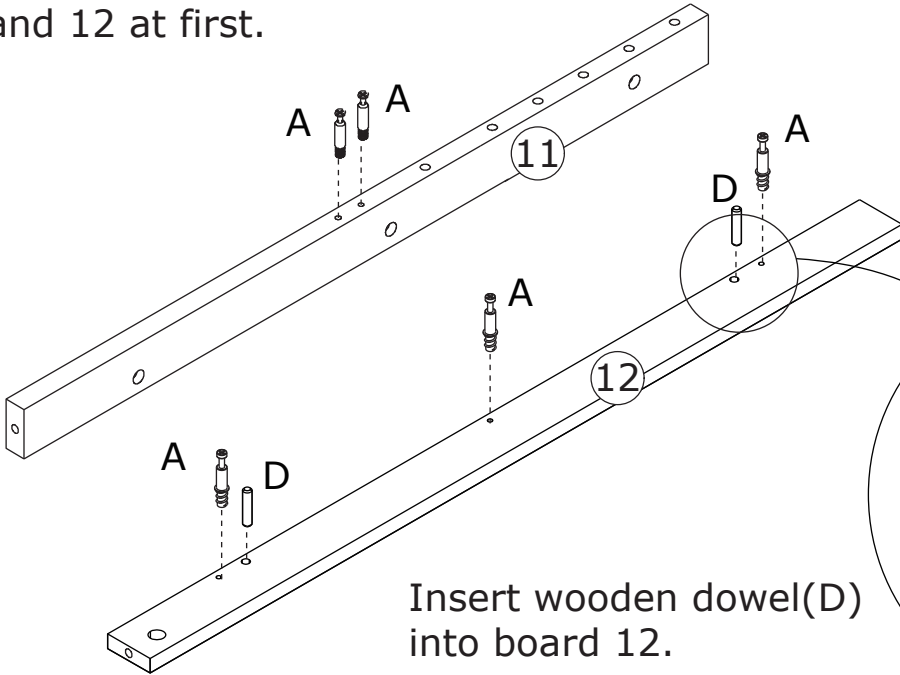
Insert rod 17 into board 19 as shown.



22

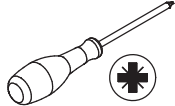
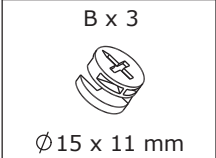


Screw eccentric rod(A) into board 11 and 12 at first.

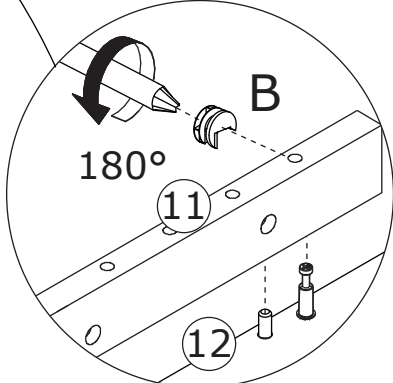
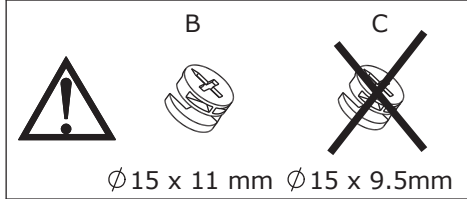
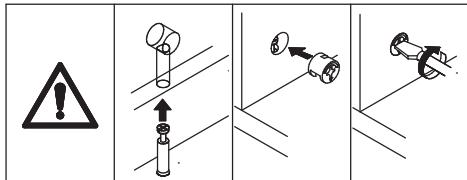
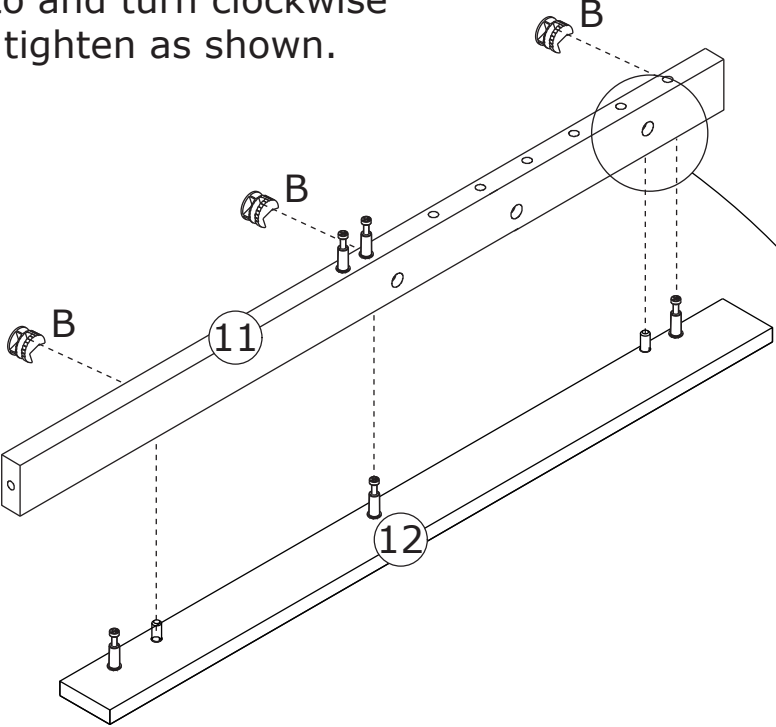


Insert wooden dowel(D) into board 12.

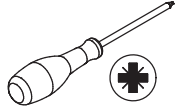
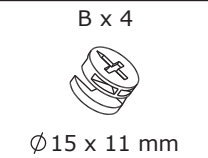
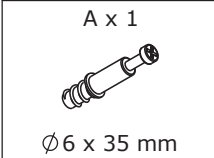
23



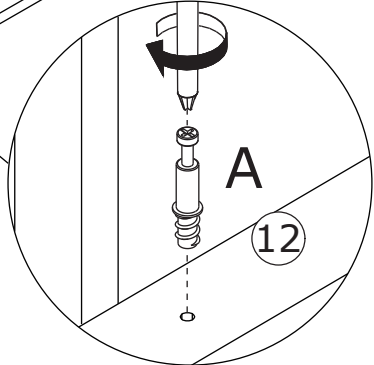
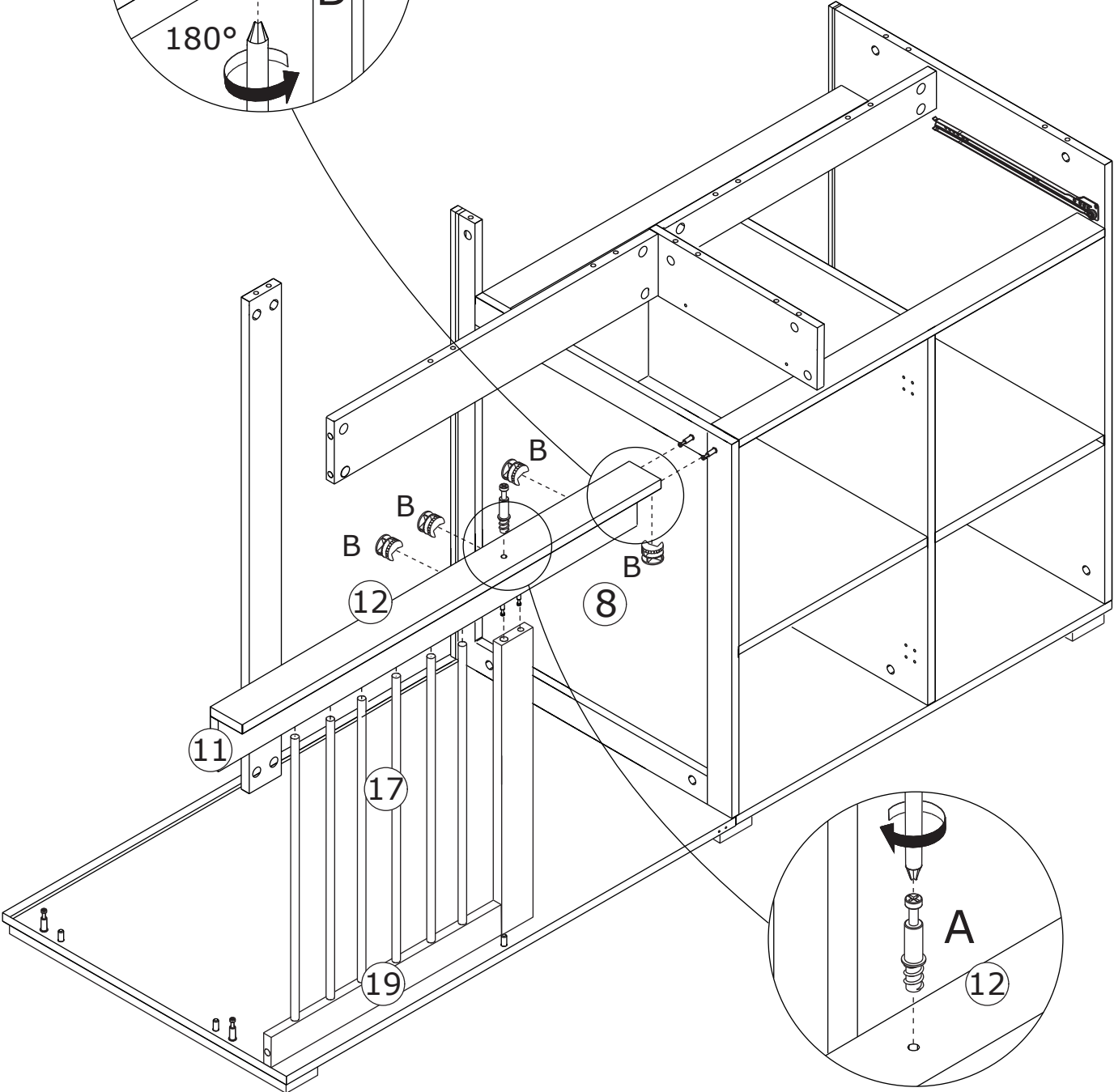
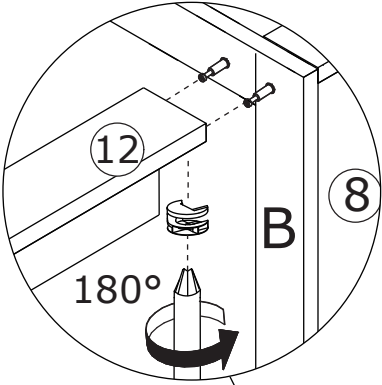
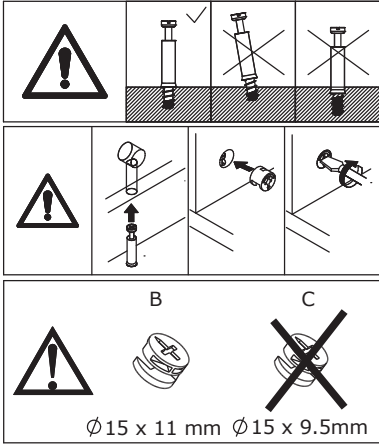
Attach board 11 to board 12, add cam lock(B) into and turn clockwise to tighten as shown.



24



Attach board 11 and 12 to rod 17, board 33 and 8, add cam lock(B) into and turn clockwise to tighten as shown. Screw eccentric rod(A) into board 12.

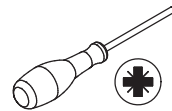


# 25

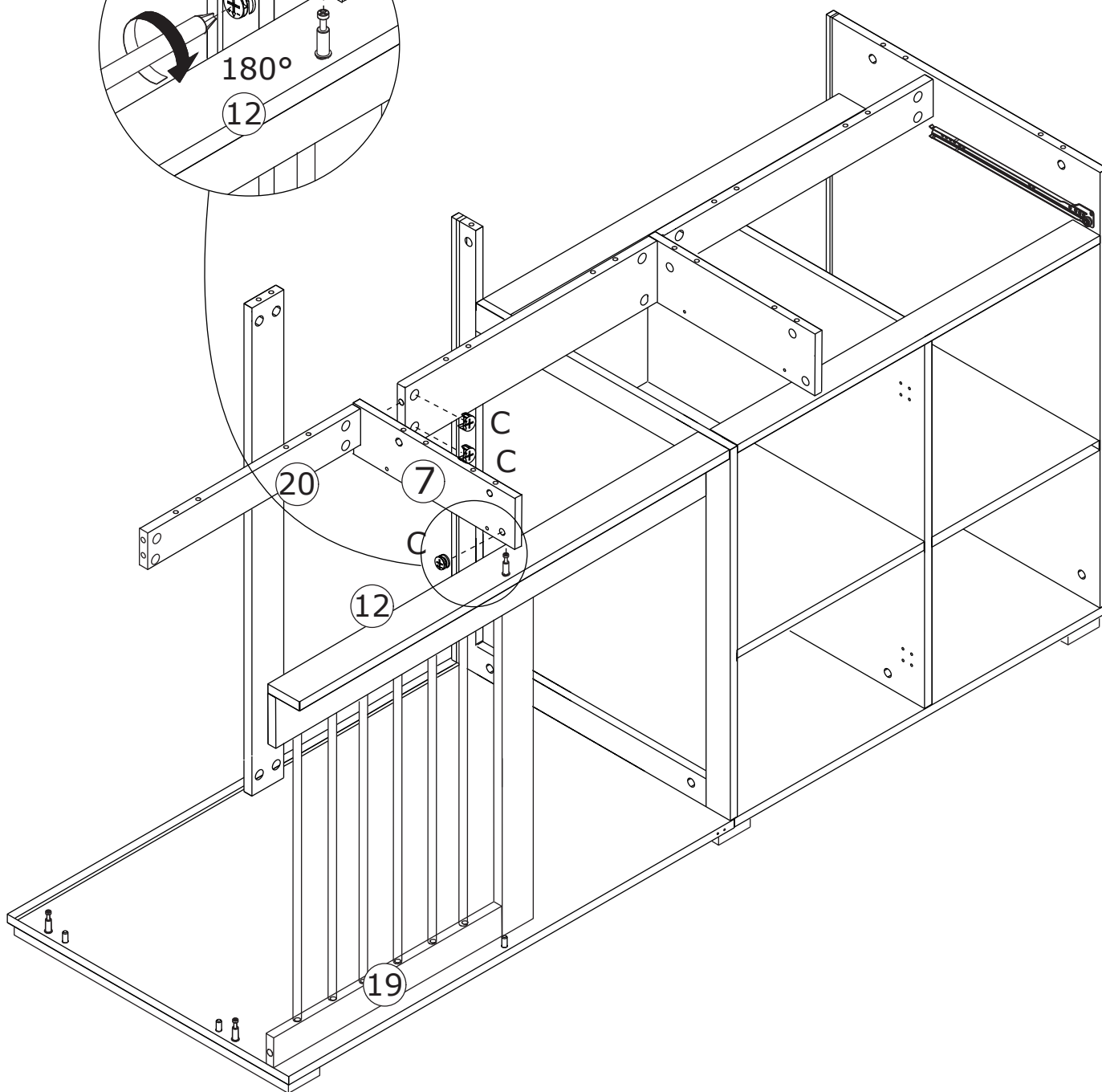
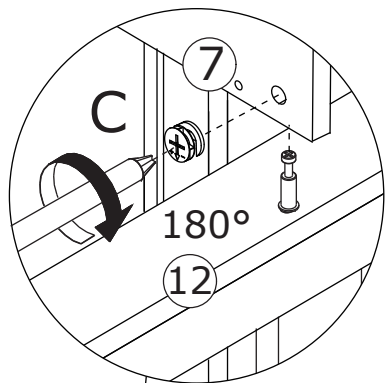
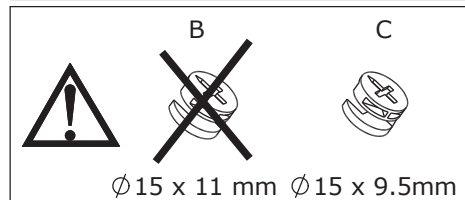
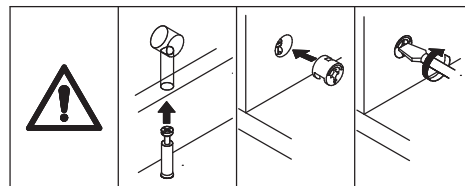
C x 3



Ø15 x 9.5 mm



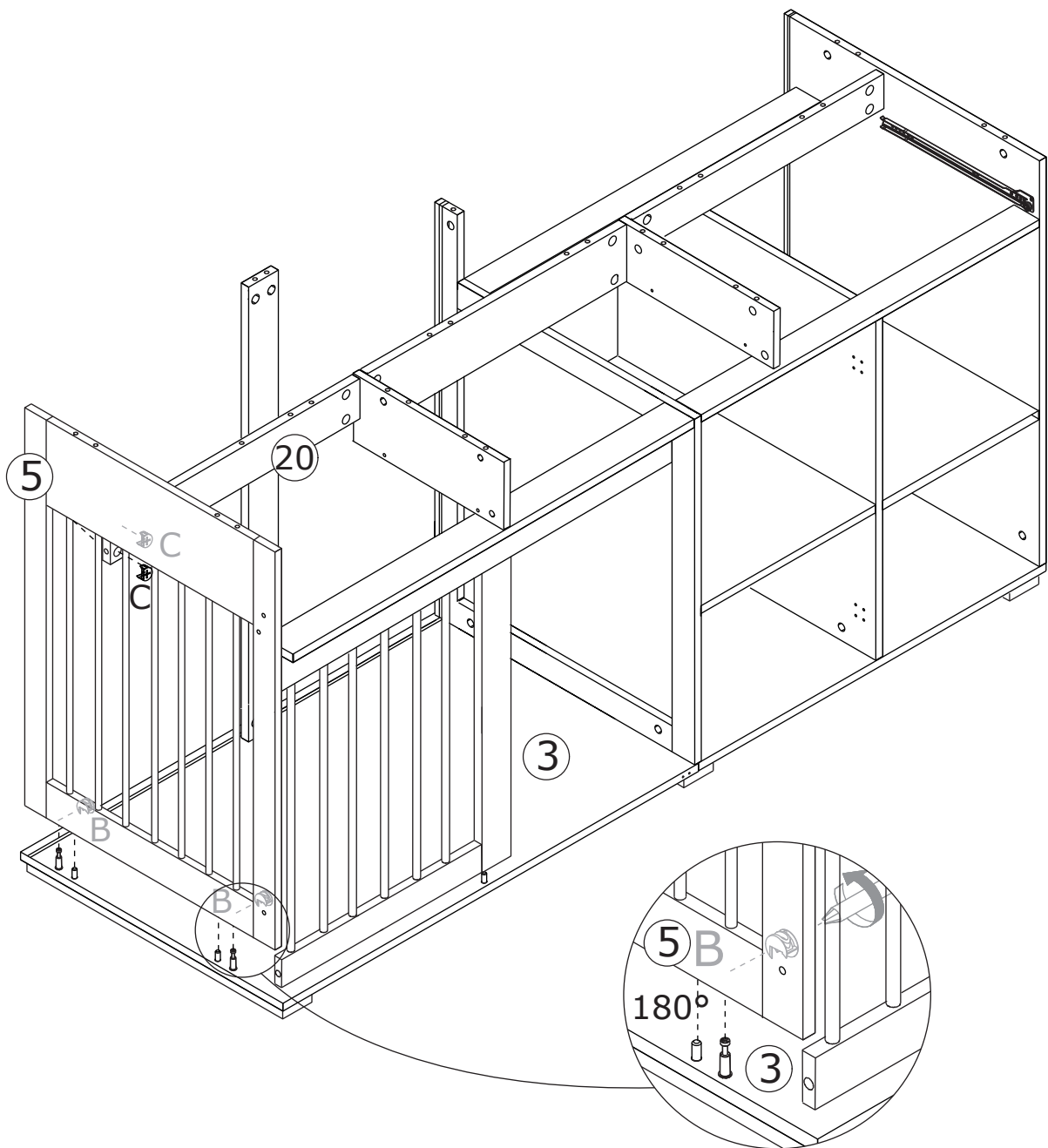
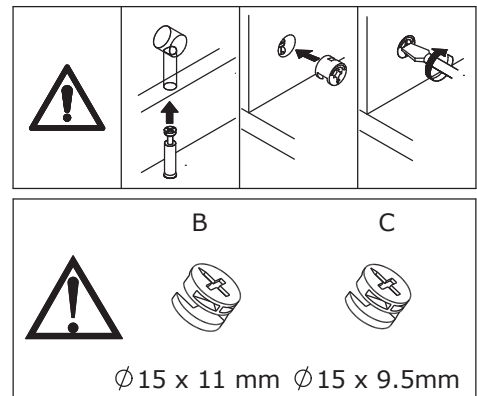
Attach board 7 and 20 to board 12 and 18,  
add cam lock(C) into and turn clockwise  
to tighten as shown.



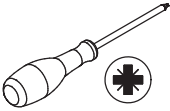
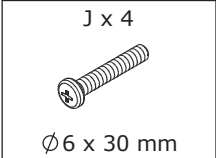
26



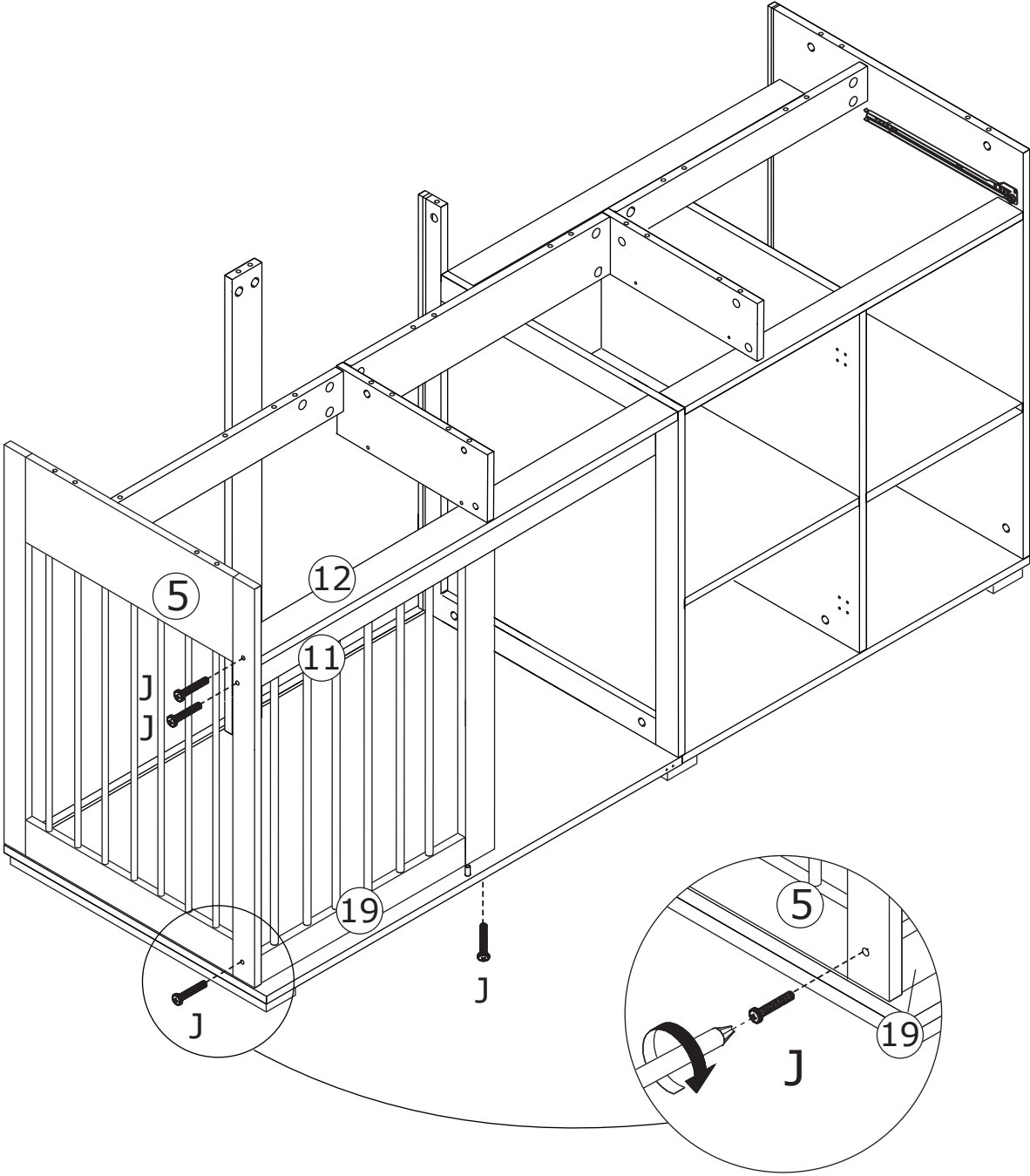
Attach plate 5 to board 3 and 20,  
add cam lock(B) into plate 5;  
cam lock(C) into board 20 and turn  
clockwise to tighten as shown.





27

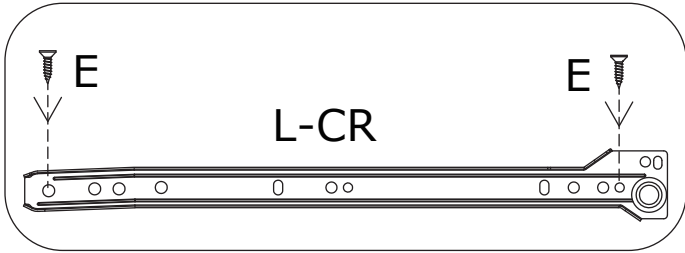


Fix plate 5 to board 11, 12 and 19 with screw(J) as shown.  
Fix board 33 to board 3 with screw(J) as shown.

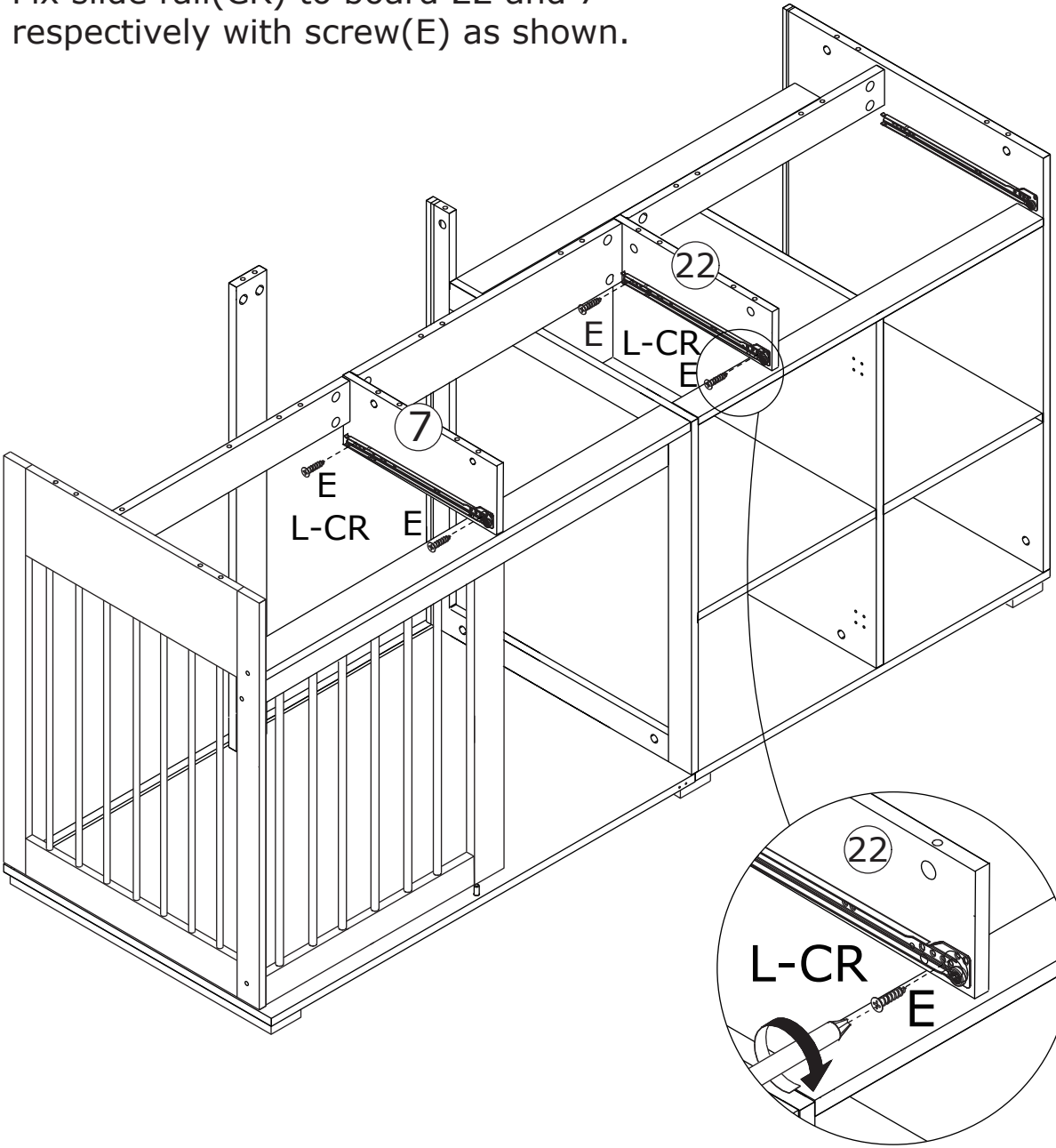


28

<p>E x 4</p>  <p>Ø3 x 12 mm</p>	<p>L x 2</p>  <p>CR</p> <p>L = 300 mm</p>	
--	--	---

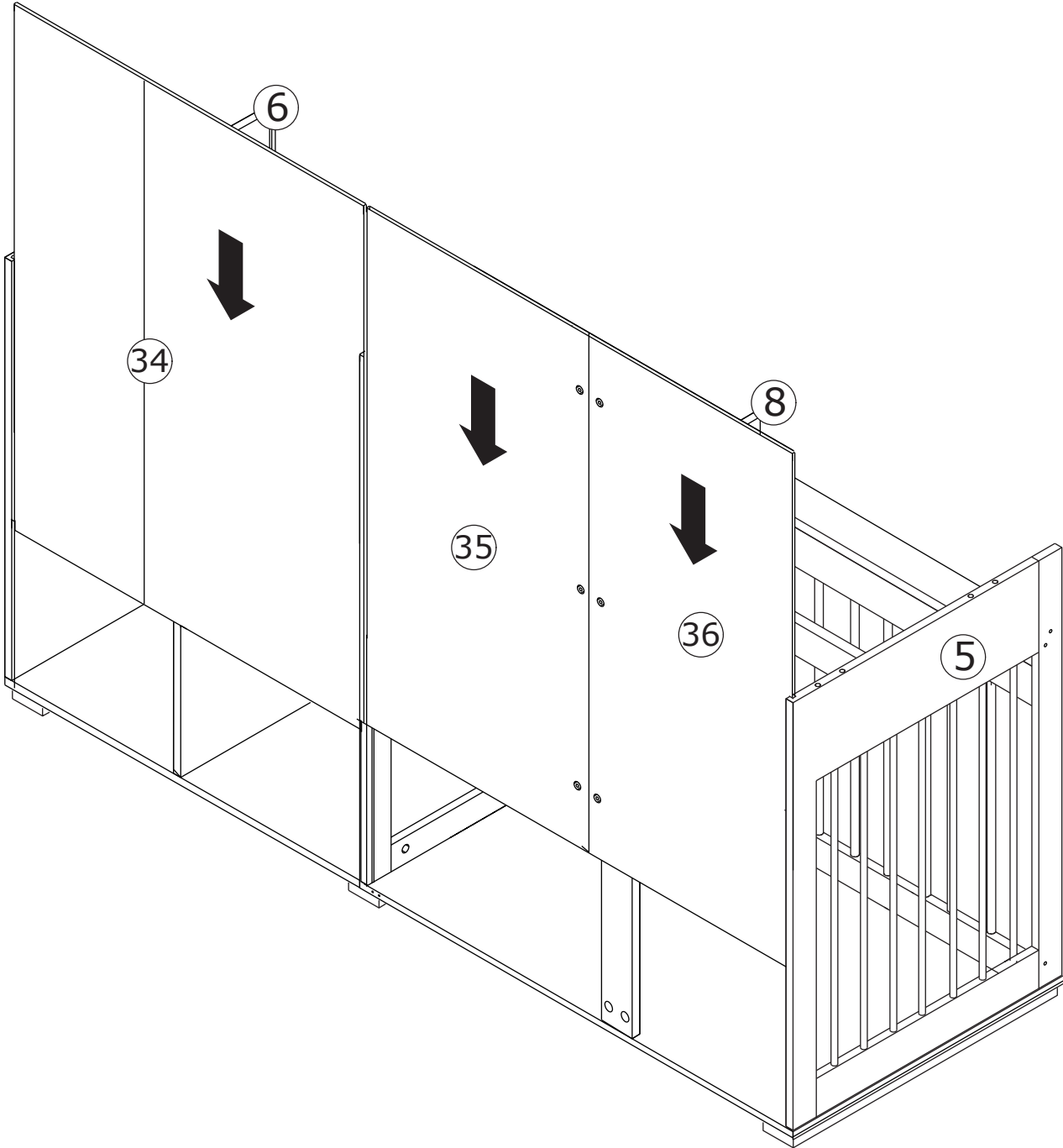


Fix slide rail(CR) to board 22 and 7 respectively with screw(E) as shown.



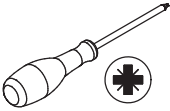
29

Insert back board 34, 35 and 36 along available grooves as shown.

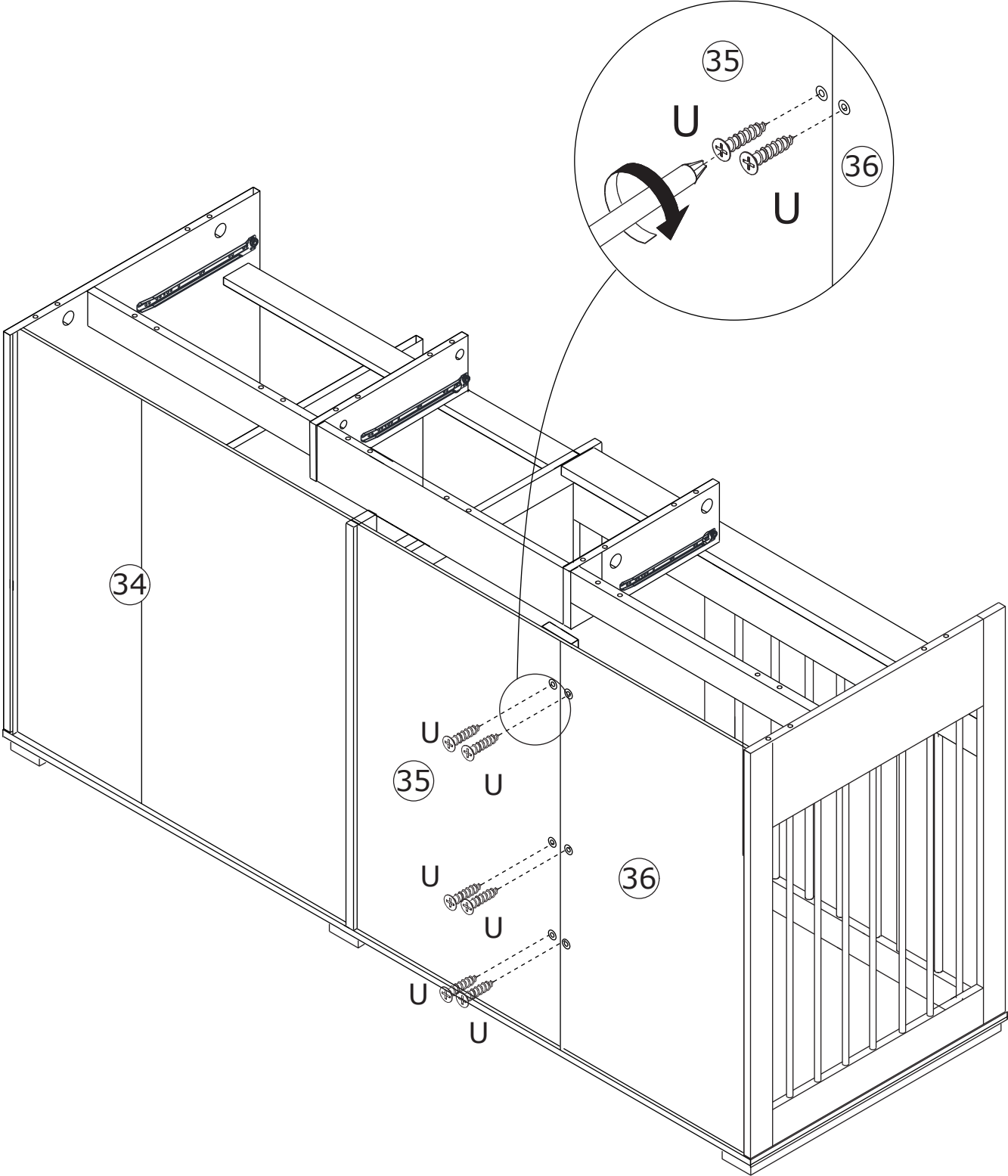


30

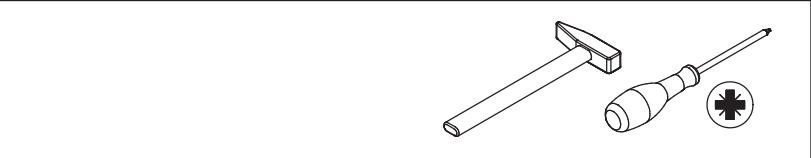
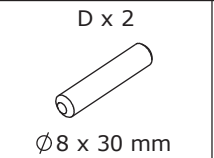
U x 6  
Ø3.5 x 14 mm



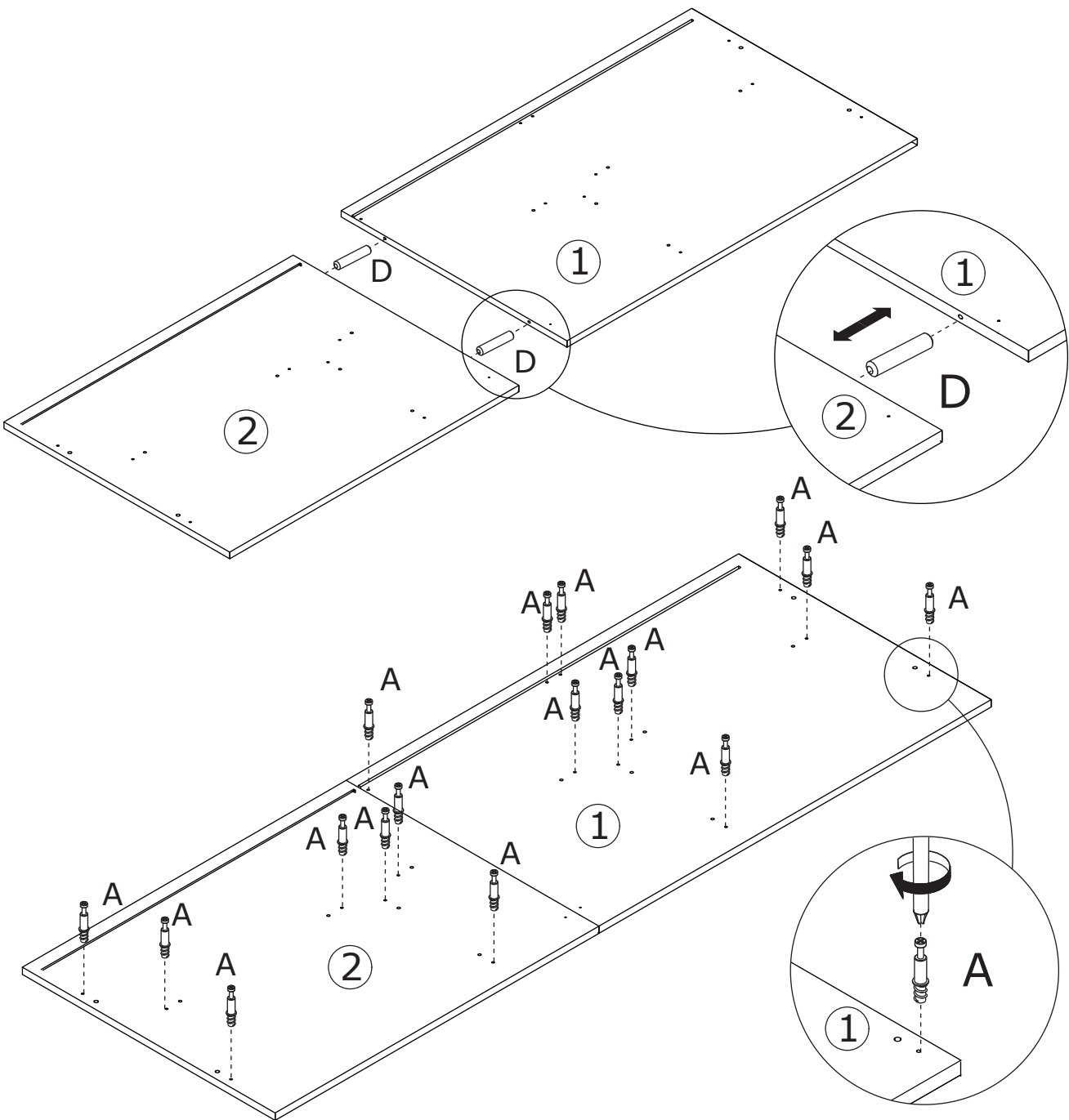
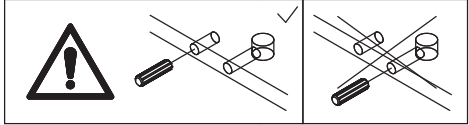
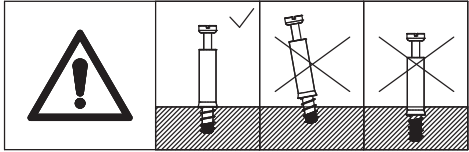
Fix back board 35 and 36 to the unit using screw(U) as shown.



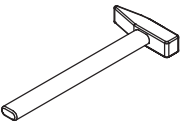
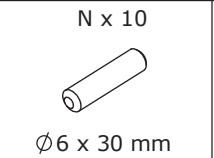
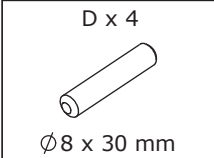
31



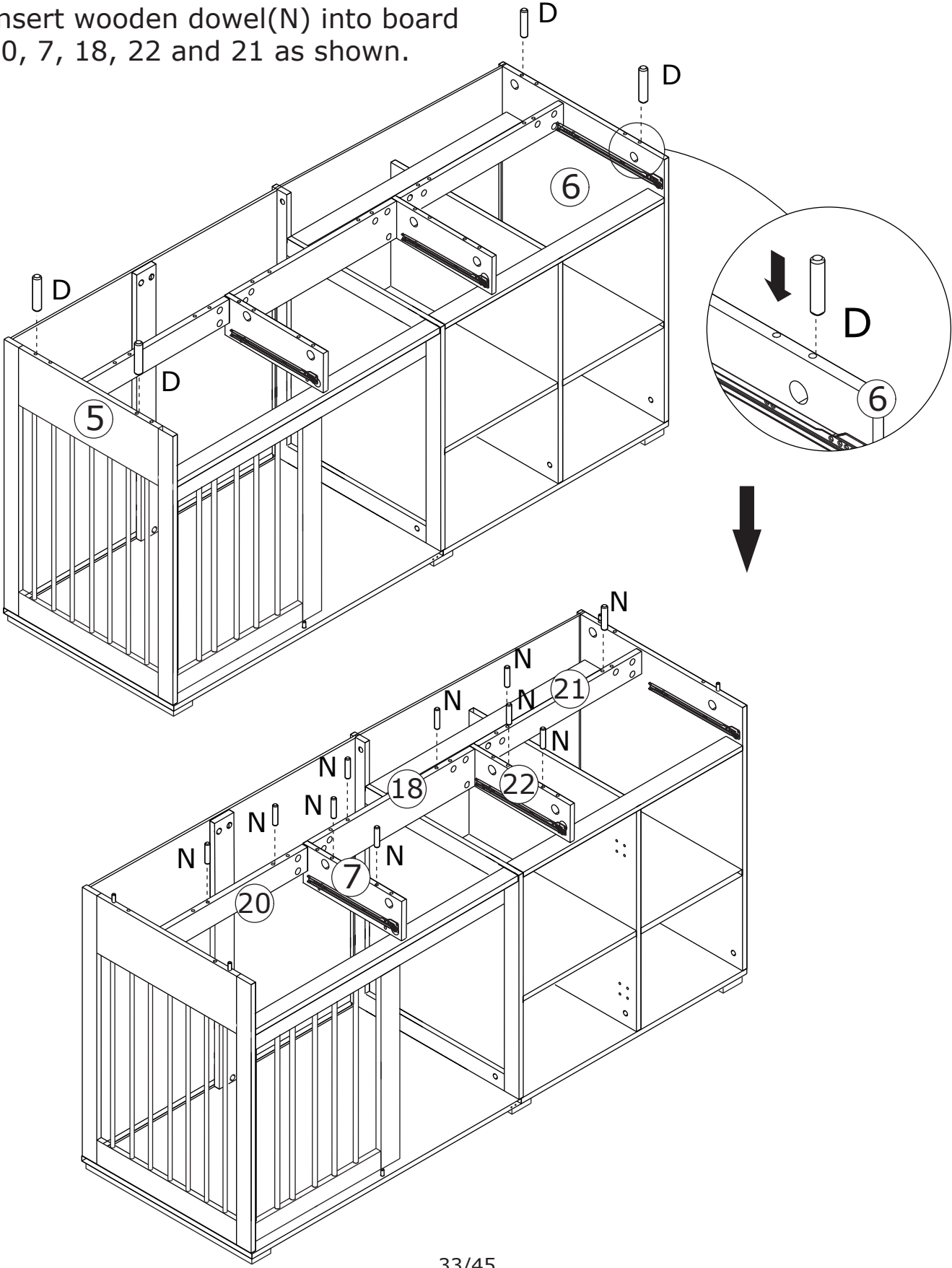
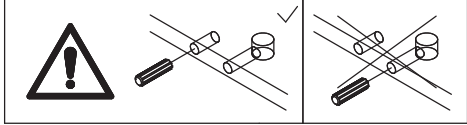
Connect board 1 to board 2 using wooden dowel(D) at first.  
Screw eccentric rod(A) into board 1 and 2 as shown.





32

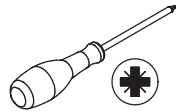


Insert wooden dowel(D) into board 5 and 6 as shown.  
Insert wooden dowel(N) into board 20, 7, 18, 22 and 21 as shown.

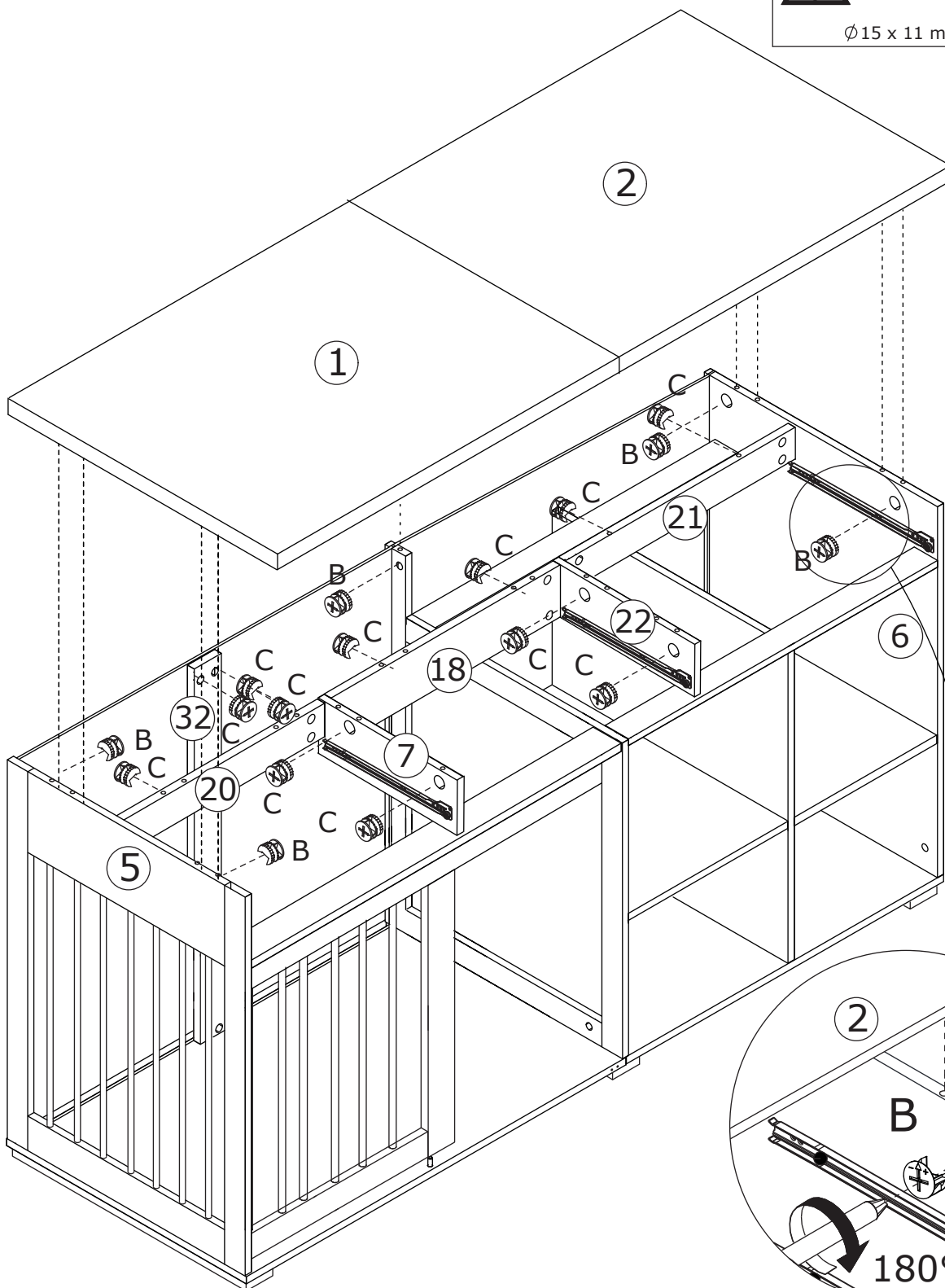
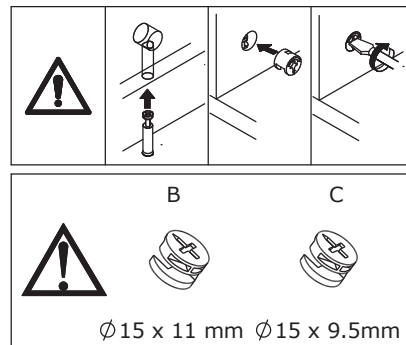


# 33

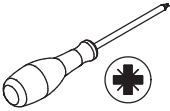
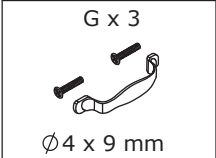
<b>B x 5</b>  Ø 15 x 9.5 mm	<b>C x 12</b>  Ø 15 x 9.5 mm
--	---



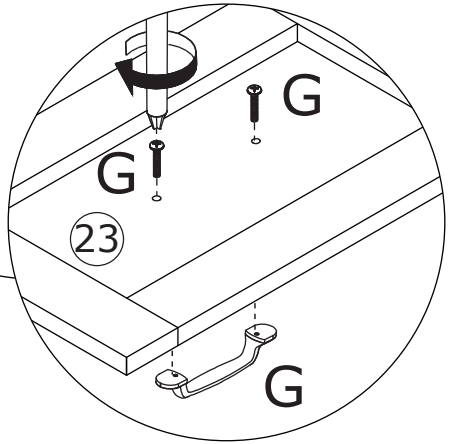
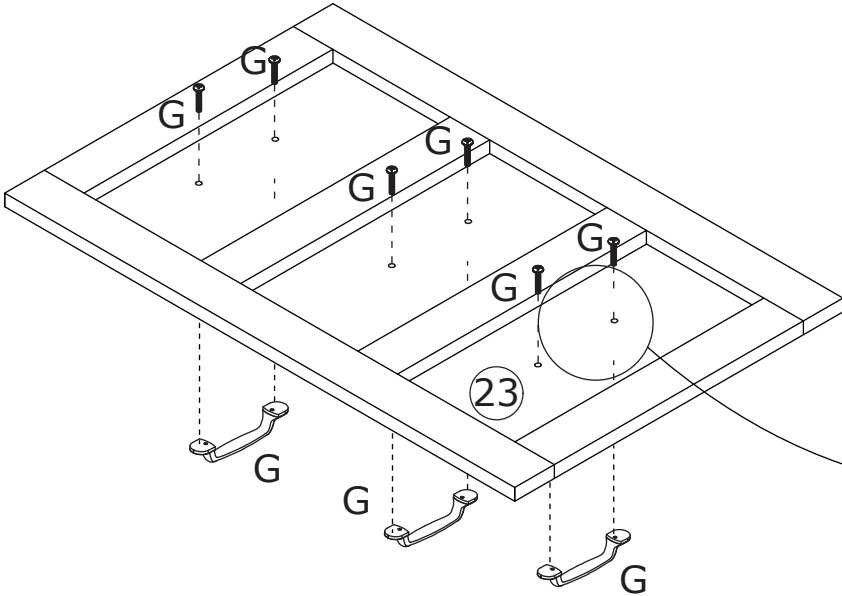
Cover board 1 and 2 to the top,  
add cam lock(B) into board 5,6,18;  
cam lock(C) into board 32,7,22,20,21,  
then turn clockwise to tighten as shown.



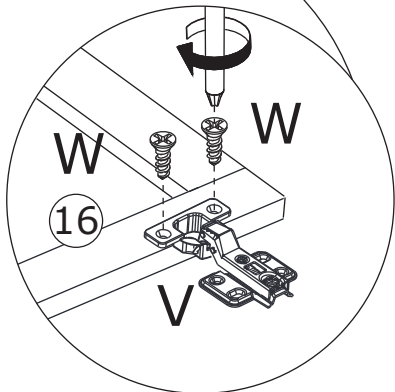
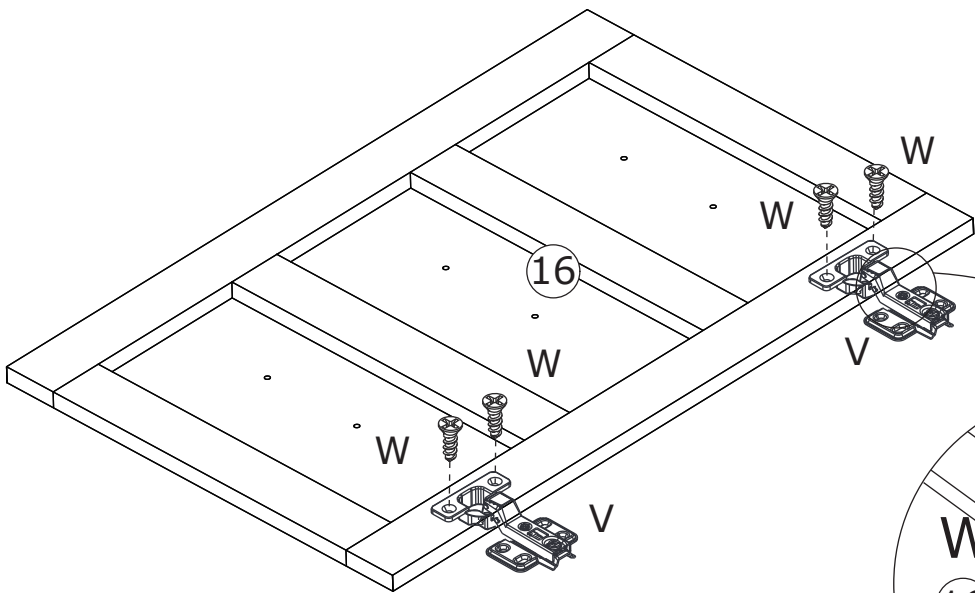
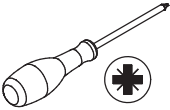
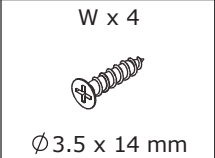
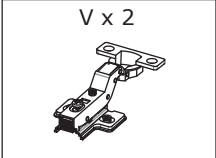
34



Fix handle(G) to board 23.

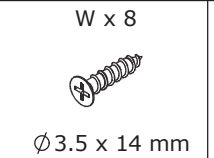
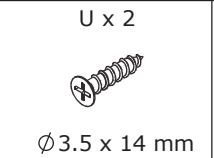
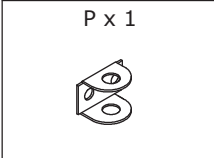


35

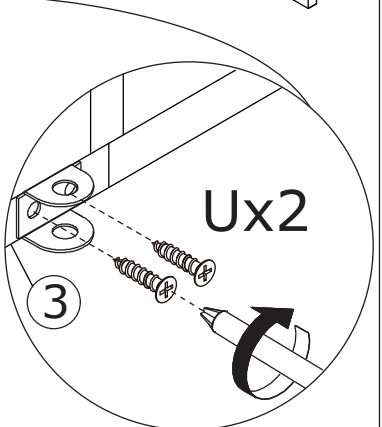
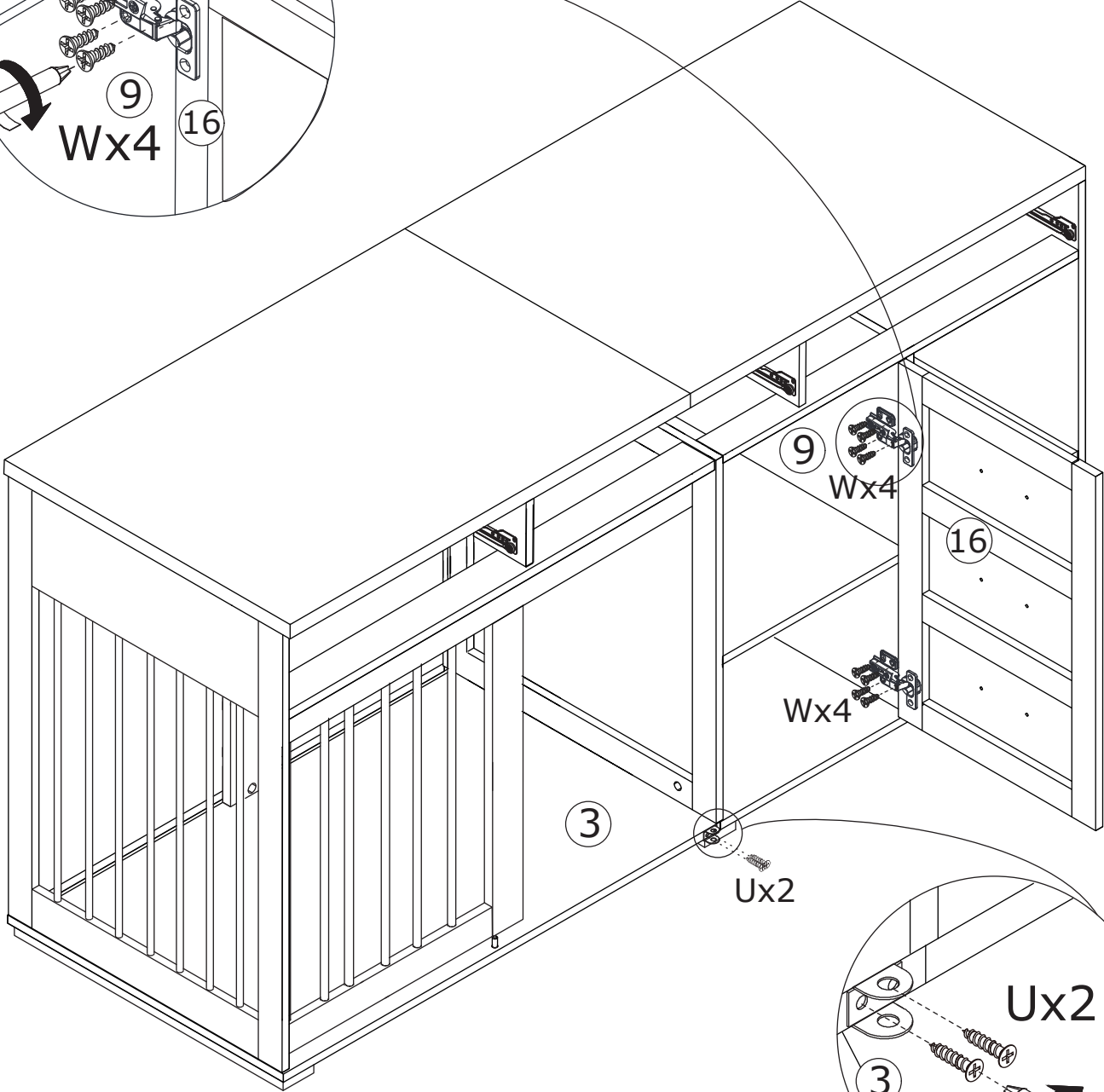
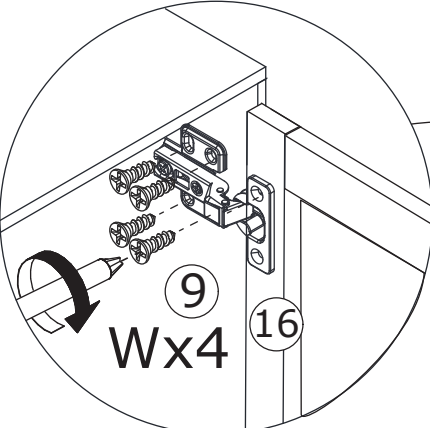


Fix hinge(V) to board 16 with screw(W) as shown.

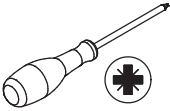
36



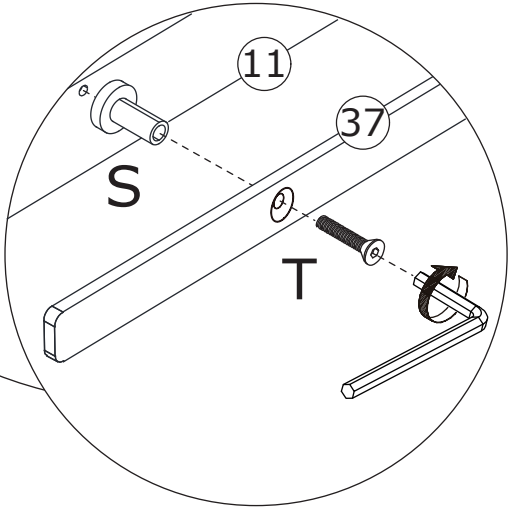
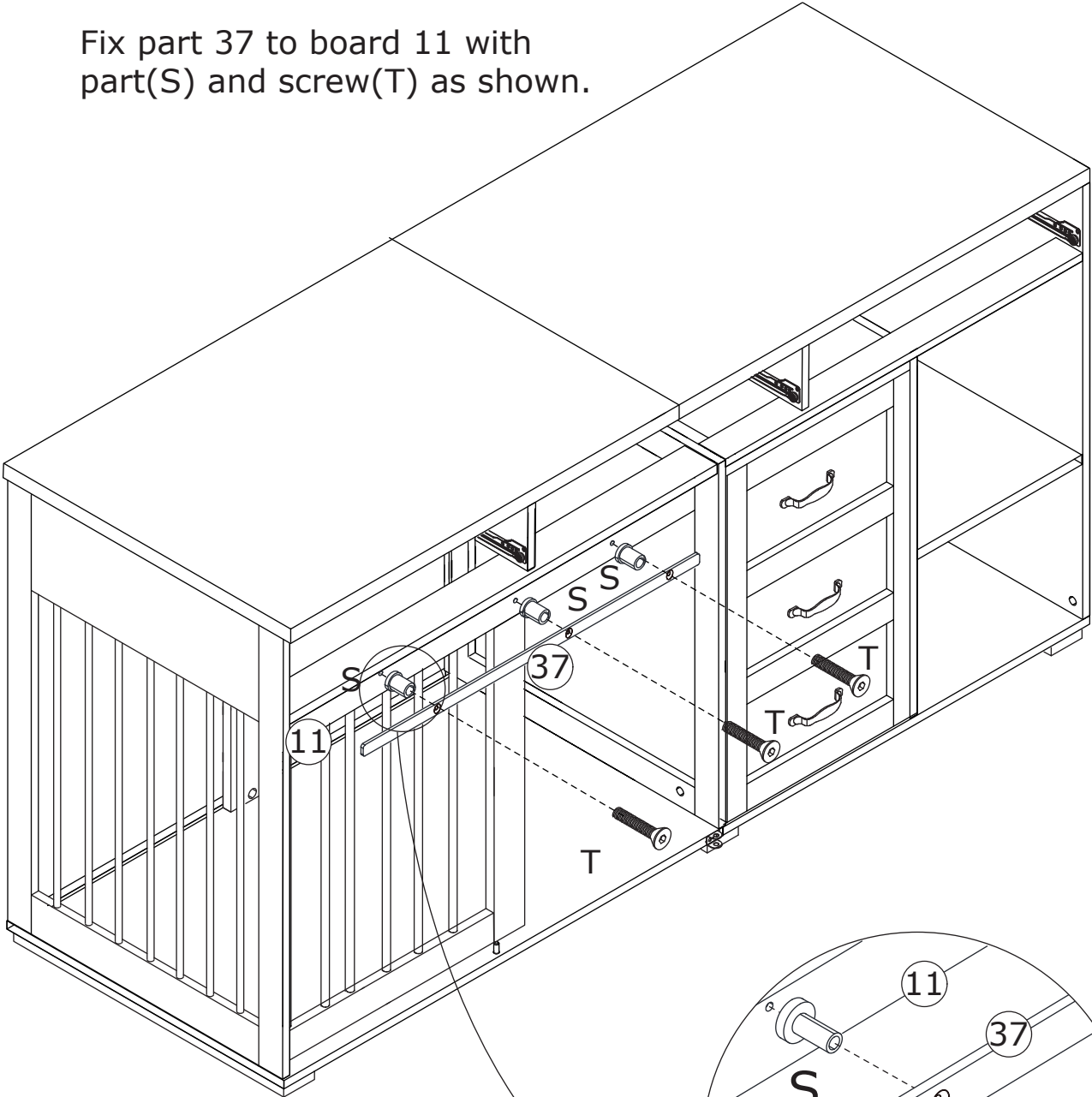
Assemble door 16 to board 9 by fixing hinge with screw(W) as shown. Fix bolt(P) to board 3 with screw(U).



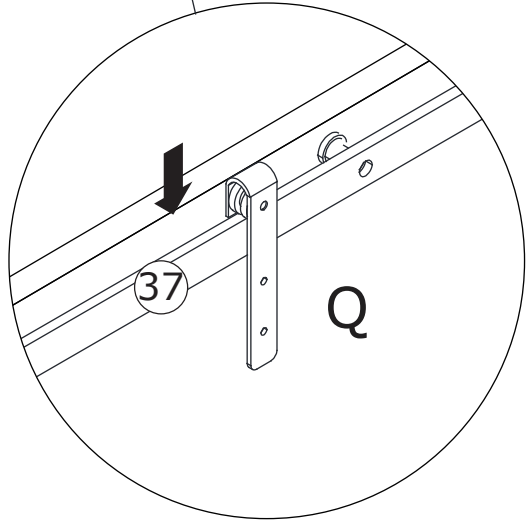
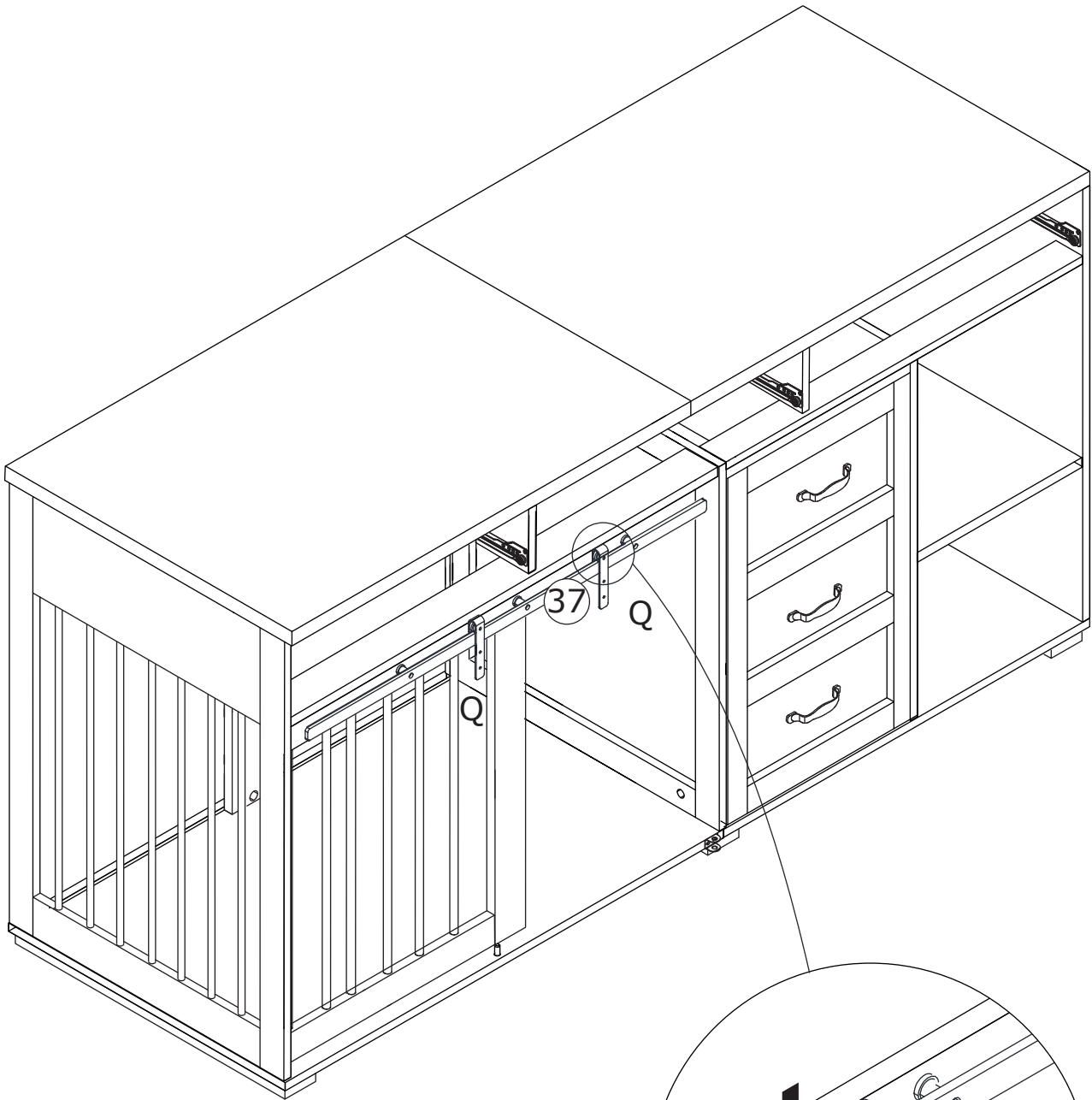
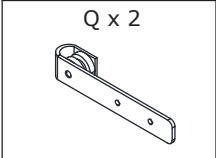
37



Fix part 37 to board 11 with part(S) and screw(T) as shown.


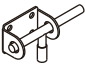

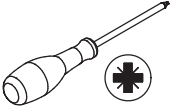


38

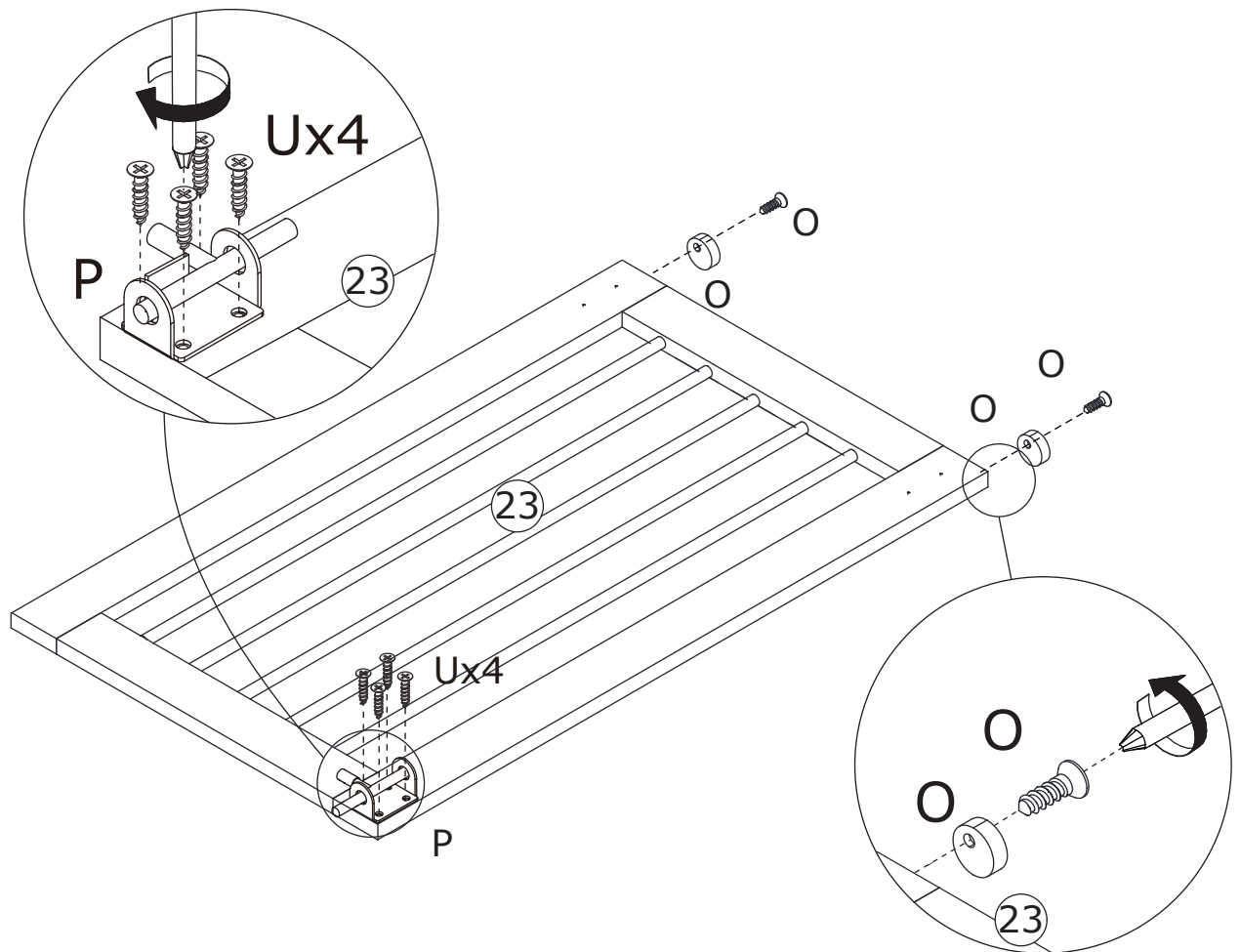


Attach part(Q) to part 37.

39

<p>O x 2  Ø 3.5 x 17 mm</p>	<p>P x 1 </p>	<p>U x 8  Ø 3.5 x 14 mm</p>	
--	--	--	---

Fix bolt(P) to plate 23 with screw(U).

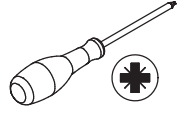


40

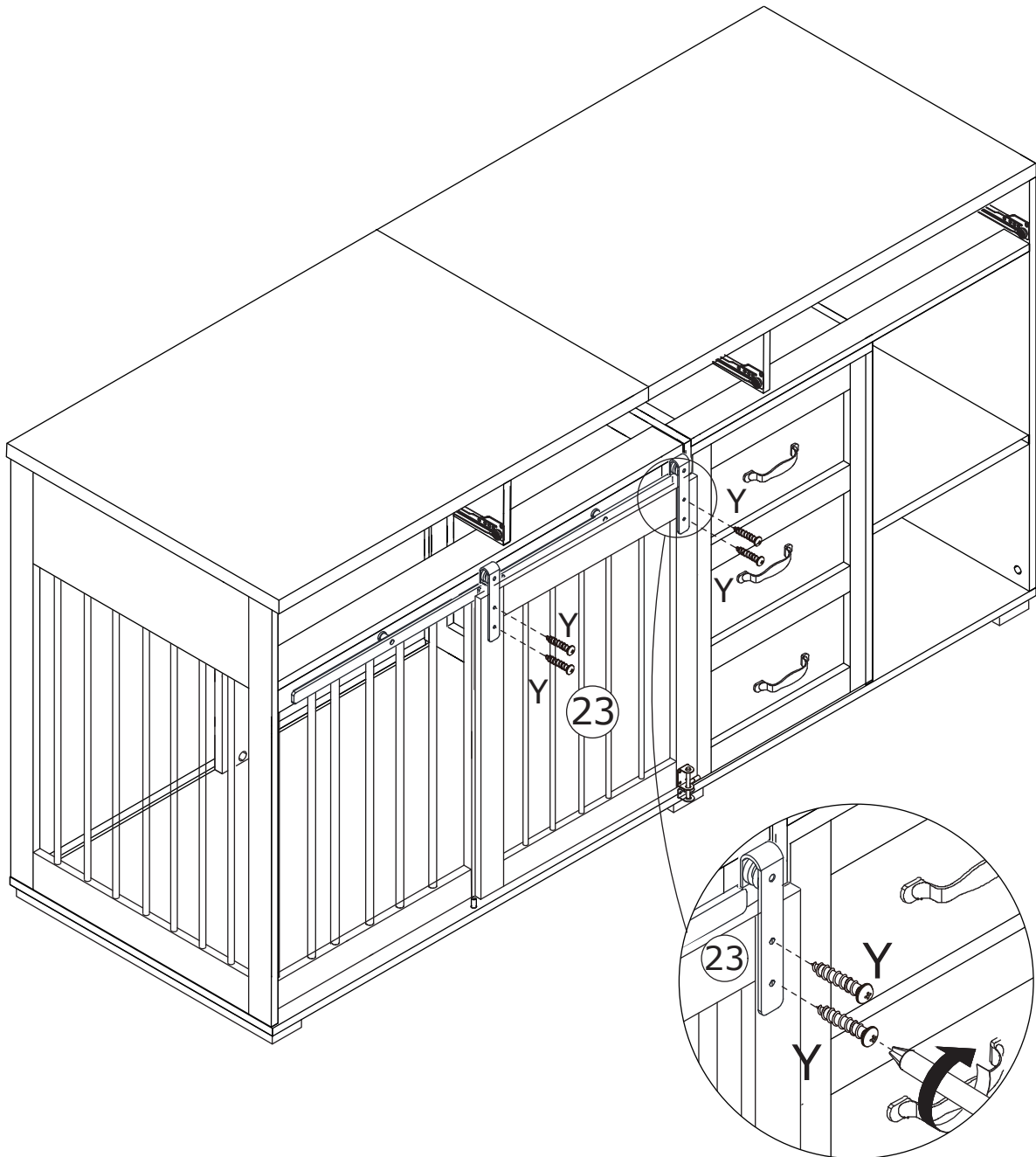
Y x 4



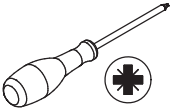
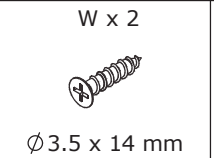
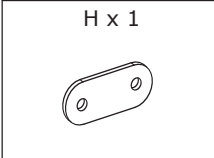
Ø3.5 x 16 mm



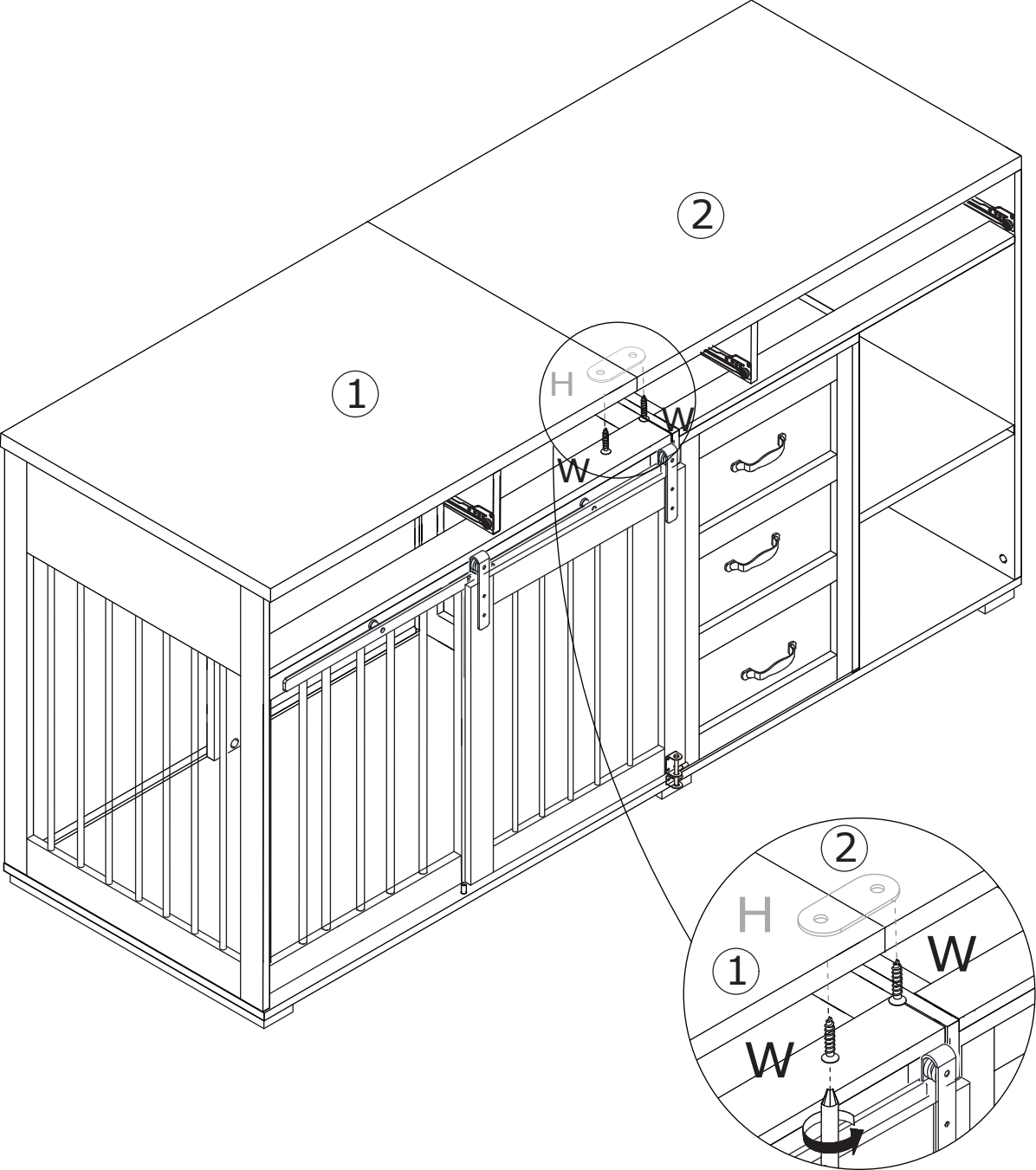
Fix part(Q) to plate 23 with screw(Y).



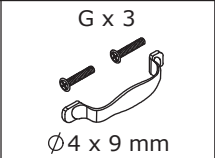
41



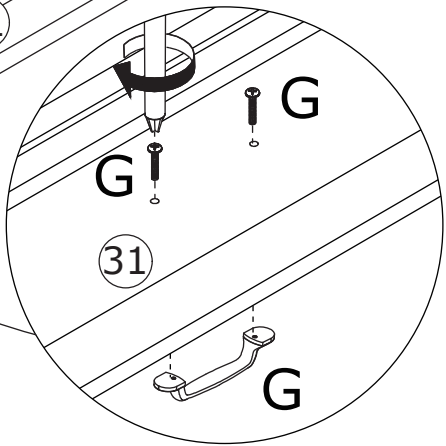
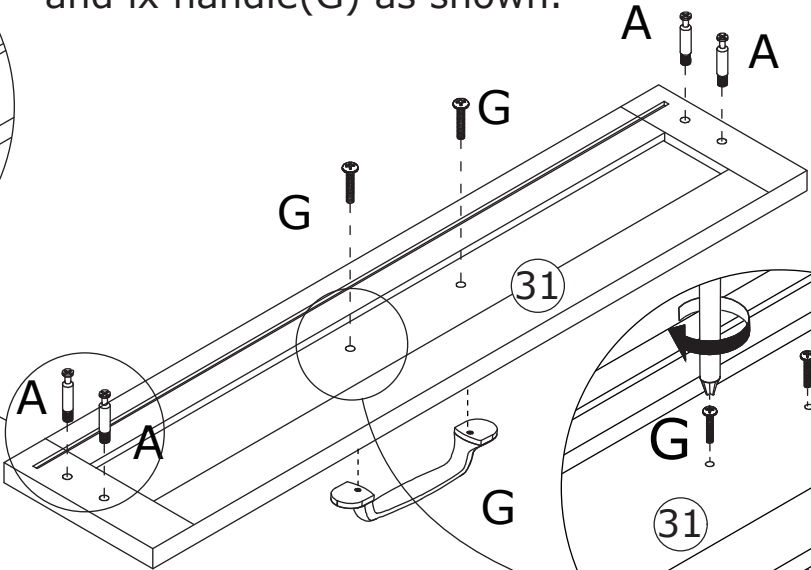
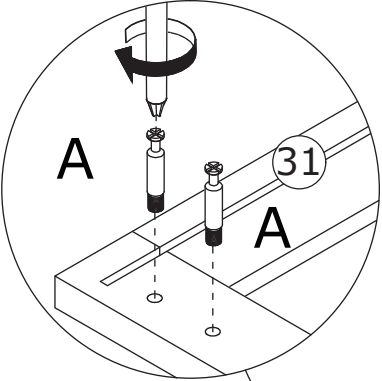
Fix part(H) to board 1 and 2 with screw(W).



42

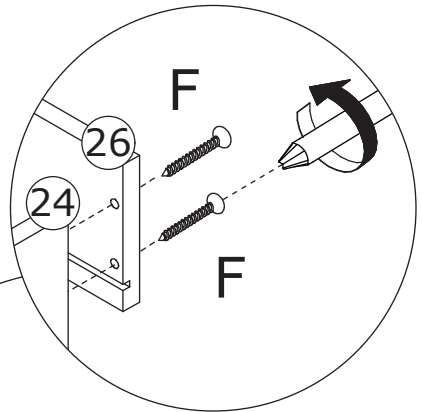
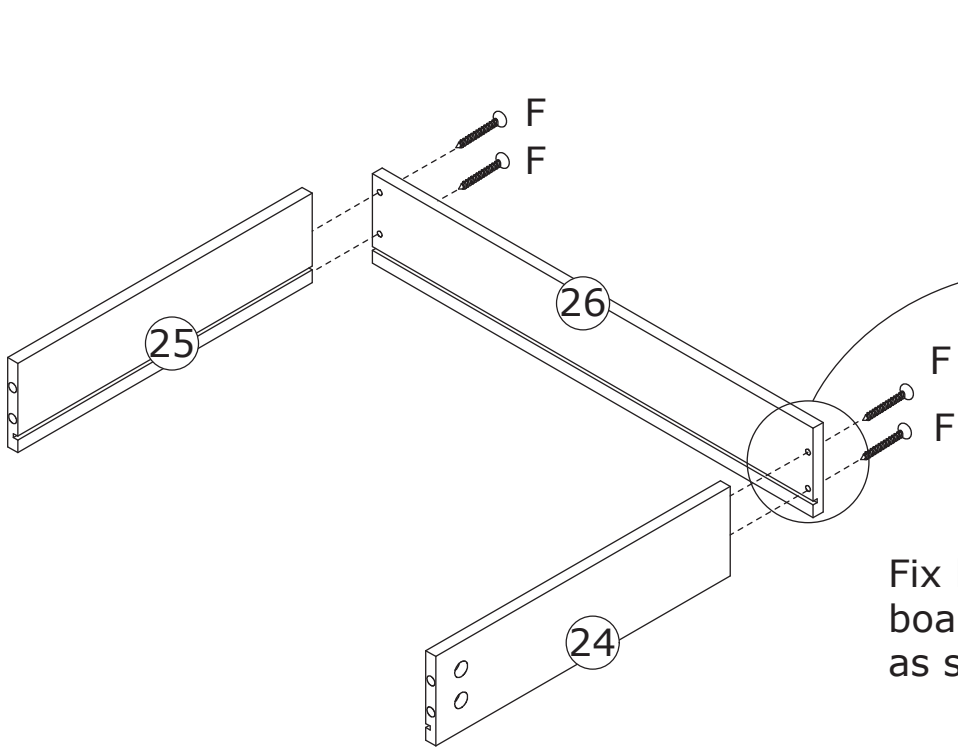
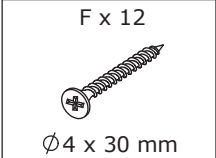


Screw eccentric rod(A) into board 31 and ix handle(G) as shown.



X 3

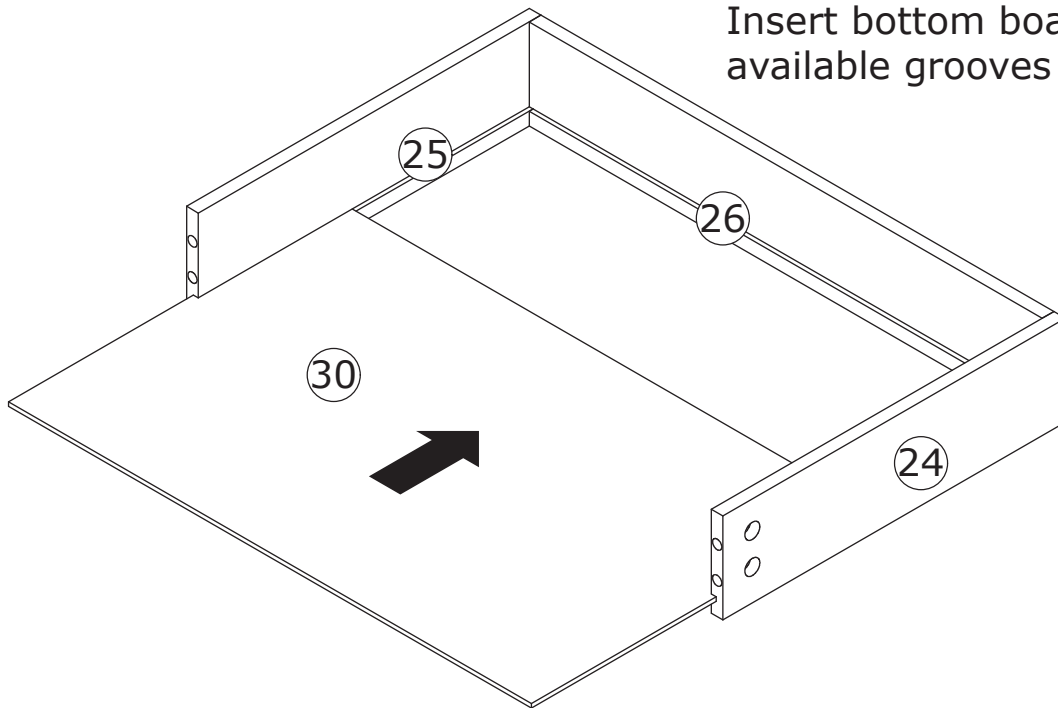
43



Fix board 24 and 25 to board 26 with screw(F) as shown.

X 3

44



Insert bottom board 30 along available grooves as shown.

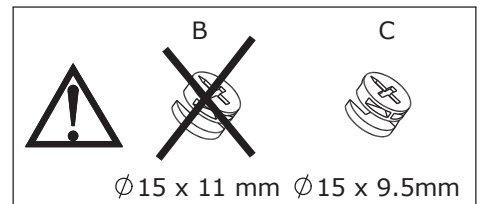
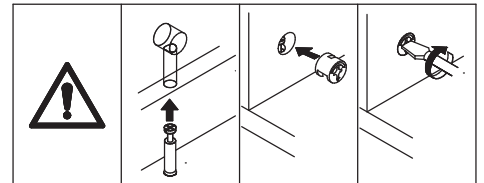
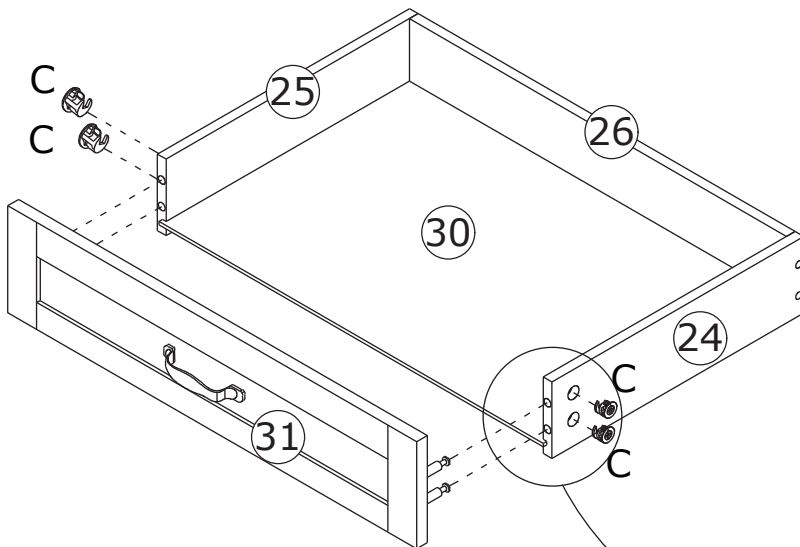
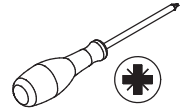
X 3

45

C x 12

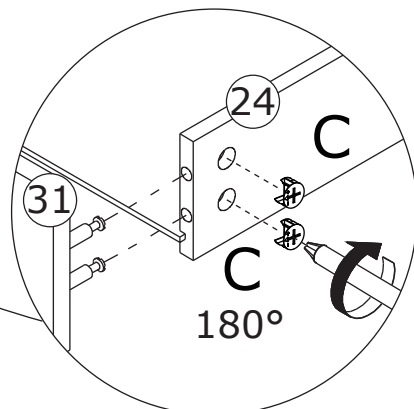


Ø 15 x 9.5 mm

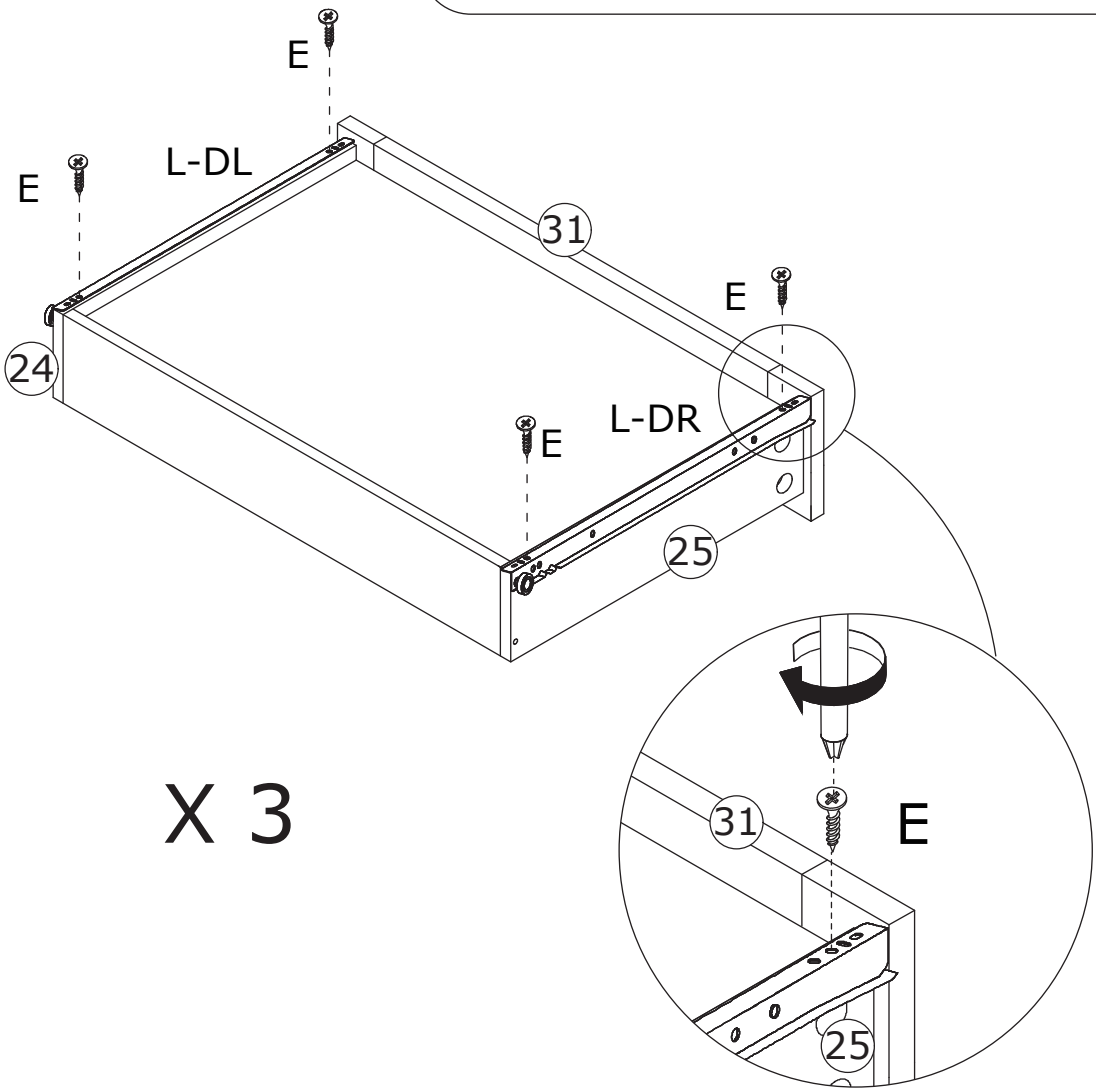
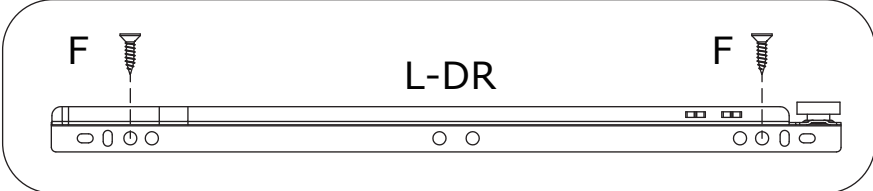
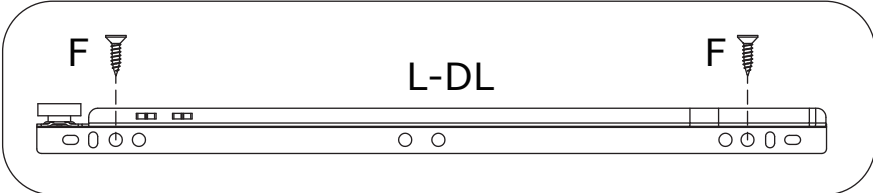
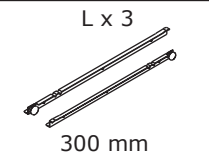
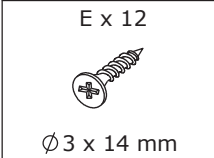


Attach board 31 to board 24 and 25, add cam lock(C) into board and turn clockwise to tighten as shown.

X 3



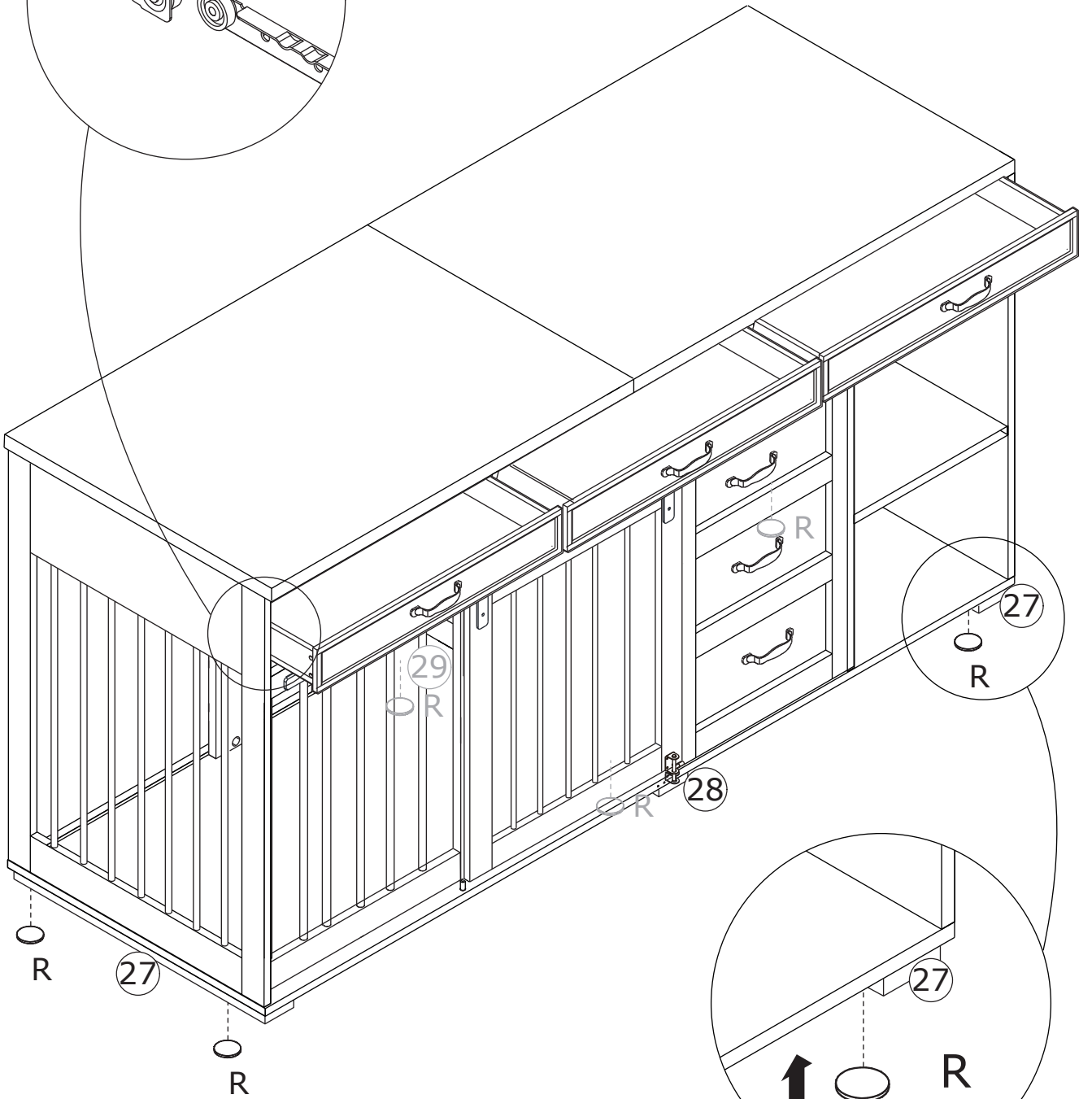
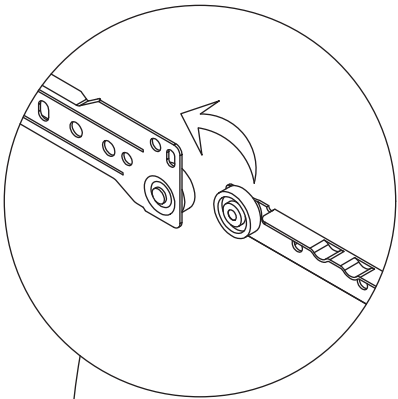
46



Fix track(DL) and (DR) to board 24 and 25 with screw(E) as shown.

47

R x 6



# WARRANTY

## WARRANTY CLAIMS

- There is a 30-day warranty for broken furniture or any other problems that do not work properly. The warranty will start from the date of purchase which must be verified by proof of purchase.
- Before making a claim, we may be able to answer your query, simply call us. Please leave your purchase order number, along with some details of the problem, if you want a replacement part. We will arrange within 48 hours. If there is out of stock, we will reply with a shipping date.
- The product must be used in accordance with the instructions provided. For health reasons.
- For other reasons, if the furniture needs to be returned, it must be cleaned and dried and operated within 30 days of receipt.

## Type of Warranty Claim

- Failure to follow the furniture instructions will invalidate the warranty. Attention please.
- Does not include damage during installation, but includes damage during transportation.

## Scope of responsibility

- Shall not bear any responsibility for misuse or user damage and / or loss of parts during the installation of furniture.
- After using, the damage and scratches of the furniture are not covered by the warranty.

## The Warranty Relates to All Bought in The Us and Covers The Following Areas

- Sheet parts: 1 month from the date of purchase.
- Electrical parts: 1 month from the date of purchase.

# RETURNS

## CHANGED YOUR MIND AND NEED TO RETURN YOU ITEM?

### PLEASE FOLLOW THE BELOW INSTRUCTIONS:

- If you have purchased and have simply changed your mind, follow the retailer's instructions for returns.

### DEFECTIVE ITEMS

- If your item is defective in any way, i.e. it doesn't work but you can't identify why, in the first instance, please call us.

### DAMAGED ITEMS

- If you receive an order with obvious shipping damage from the retailer, then we suggest the delivery is refused. If the delivery has been accepted and then shipping damage is found, please follow the specific instructions advised by the retailer.  
In all circumstances please save all packaging material and paperwork for the order. Please be aware that if you dispose of packaging material or attempt to return the merchandise without contacting the fulfiller, you jeopardise your chances of making a claim, and you may not receive a credit for the return.

### AFTER-SALES CONTACT



adelahu@fufugaga.com



208-820-0068