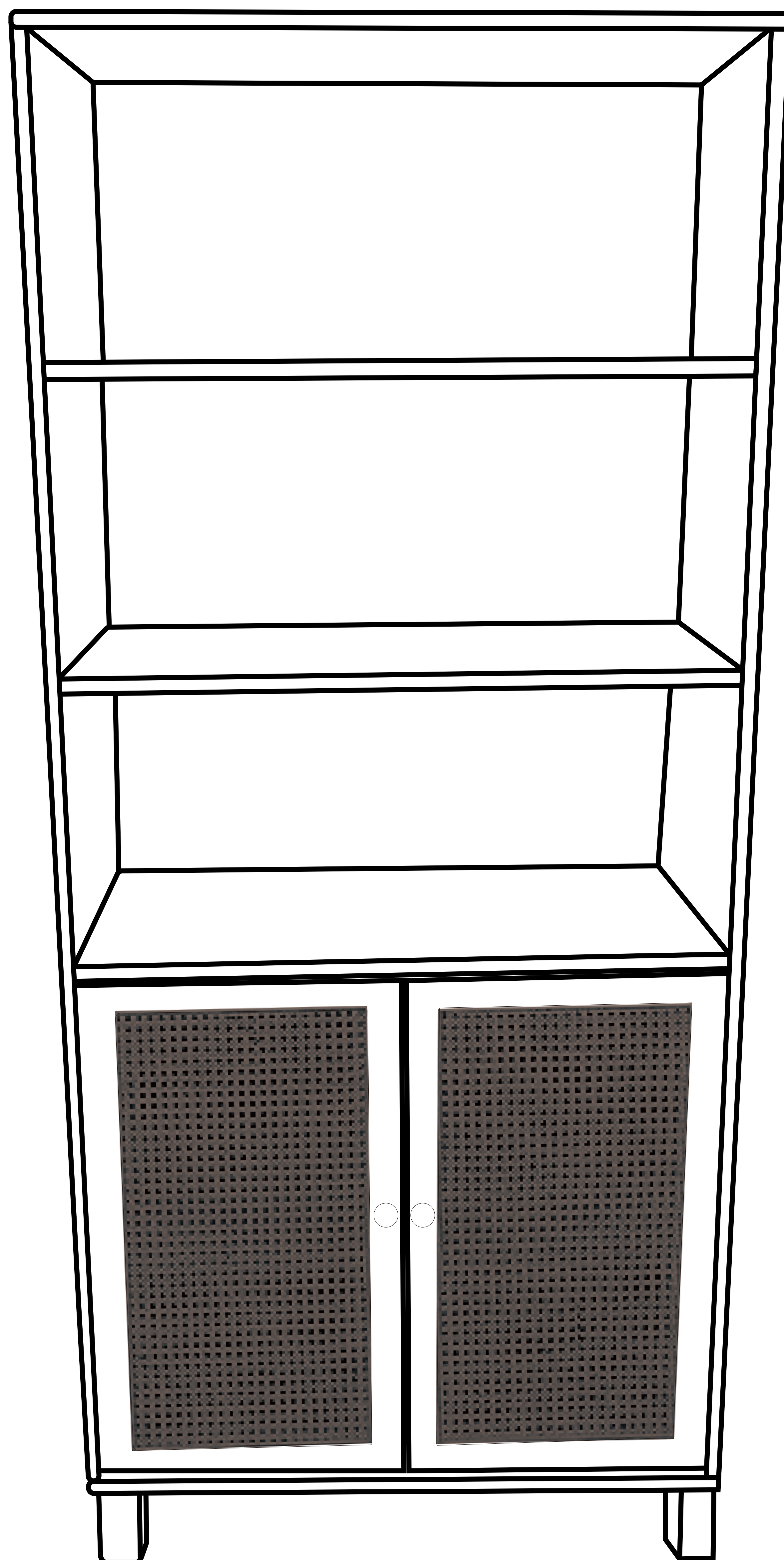


# Assembly Manual

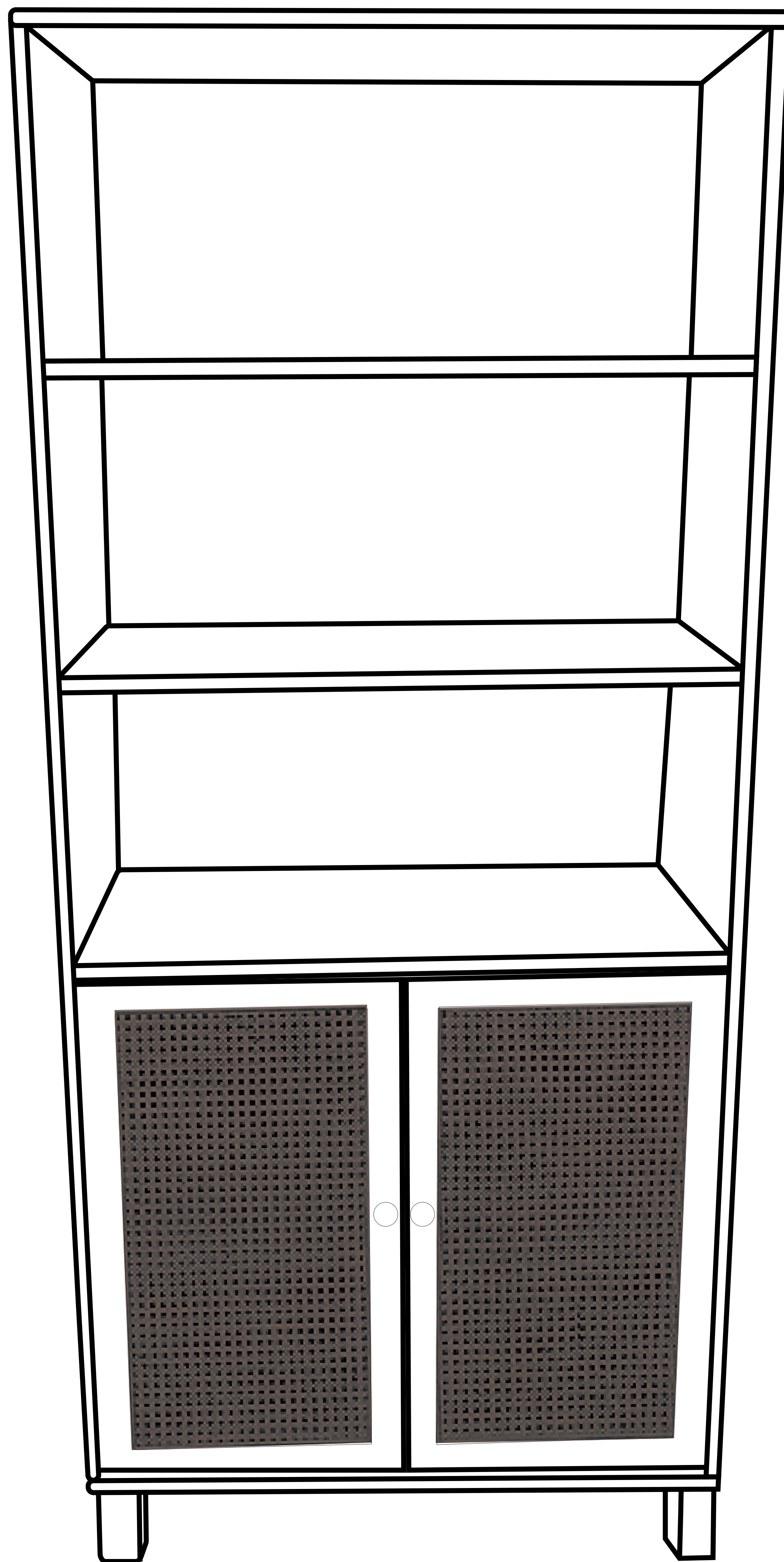
## Bookcase



Please read this manual carefully before any operation and keep it properly for future use.

If any problems on our product, please feel free to contact US.

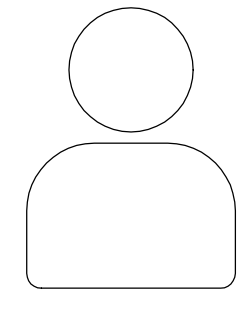
# Exploded View



# Components List

**15** min

Assembly Time



One People

Note: The number after "+" sign indicates the extra piece(s).

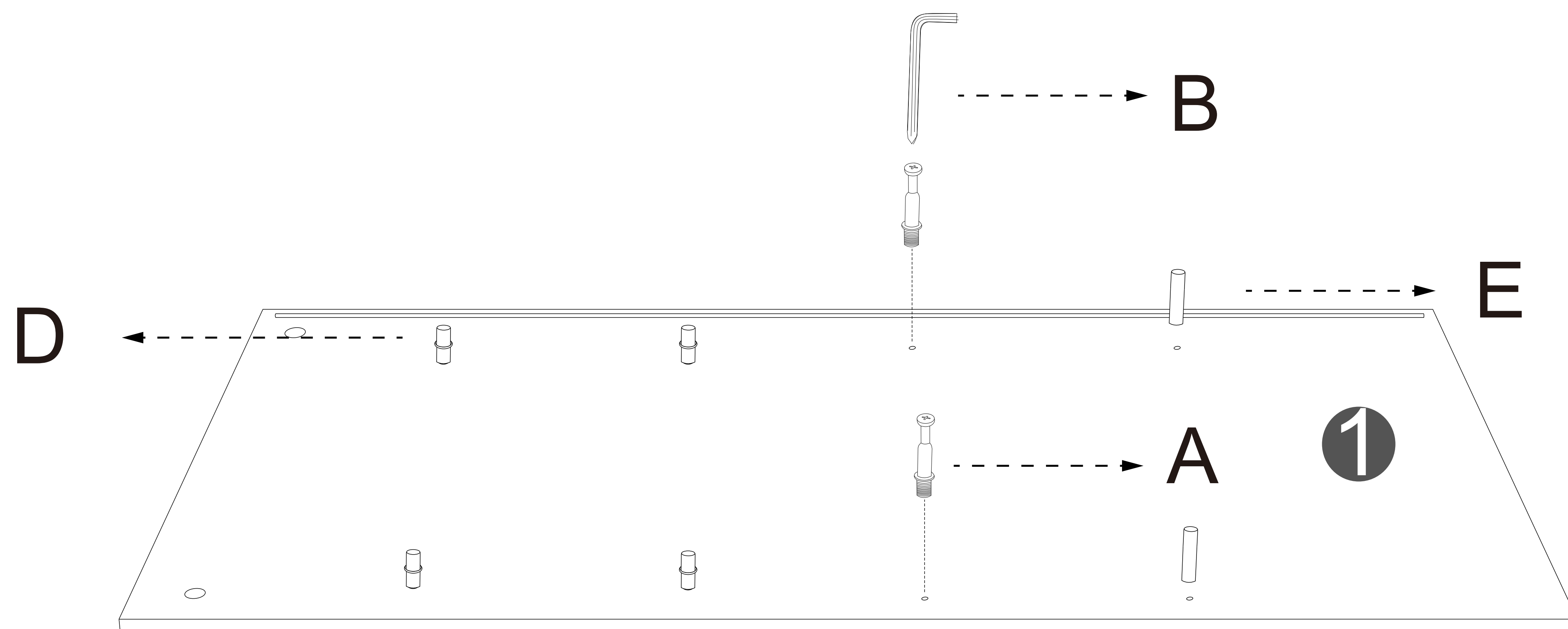
 <b>1</b> *1	 <b>2</b> *1	 <b>3</b> *1
 <b>4</b> *1	 <b>5</b> *1	 <b>6</b> *2
 <b>7</b> *1	 <b>8</b> *1	 <b>9</b> *1
 <b>10</b> *1	 <b>11</b> *2	 <b>12</b> *4
 <b>13</b> *4		

<b>A</b>  lock pin 8+1	<b>B</b>  Allen wrench 1	<b>C</b>  Klix cam 8+1	<b>D</b>  Board support 8+1	<b>E</b>  Wooden dowel 4+1	<b>F</b>  Bolt M7x35mm 4+1
<b>G</b>  Bolt M4x20mm 12+2	<b>H</b>  Bolt M3x13mm 8+1	<b>I</b>  Bolt M4x25mm 2+1	<b>J</b>  Door shaft 4+1	<b>K</b>  Magnetic piece 2+1	<b>L</b>  Magnetic piece 2+1
<b>M</b>  handle 2+1	<b>N</b>  Bolt M3x15mm 14+2	<b>O</b>  Stabilizer 12+2	<b>P</b>  Bolt M4x30mm 2+1	<b>Q</b>  Stabilizer 2+1	<b>R</b>  plastic component 2+1
<b>S</b>  Bolt M4x16mm 16+2					

# Assembly Instruction

## STEP 1

Screw lock pins(A) into holes on standing board(1) using Allen wrench(B), and attach board supports(D) and wooden dowels(E) to the top board.



1\*1

A\*2

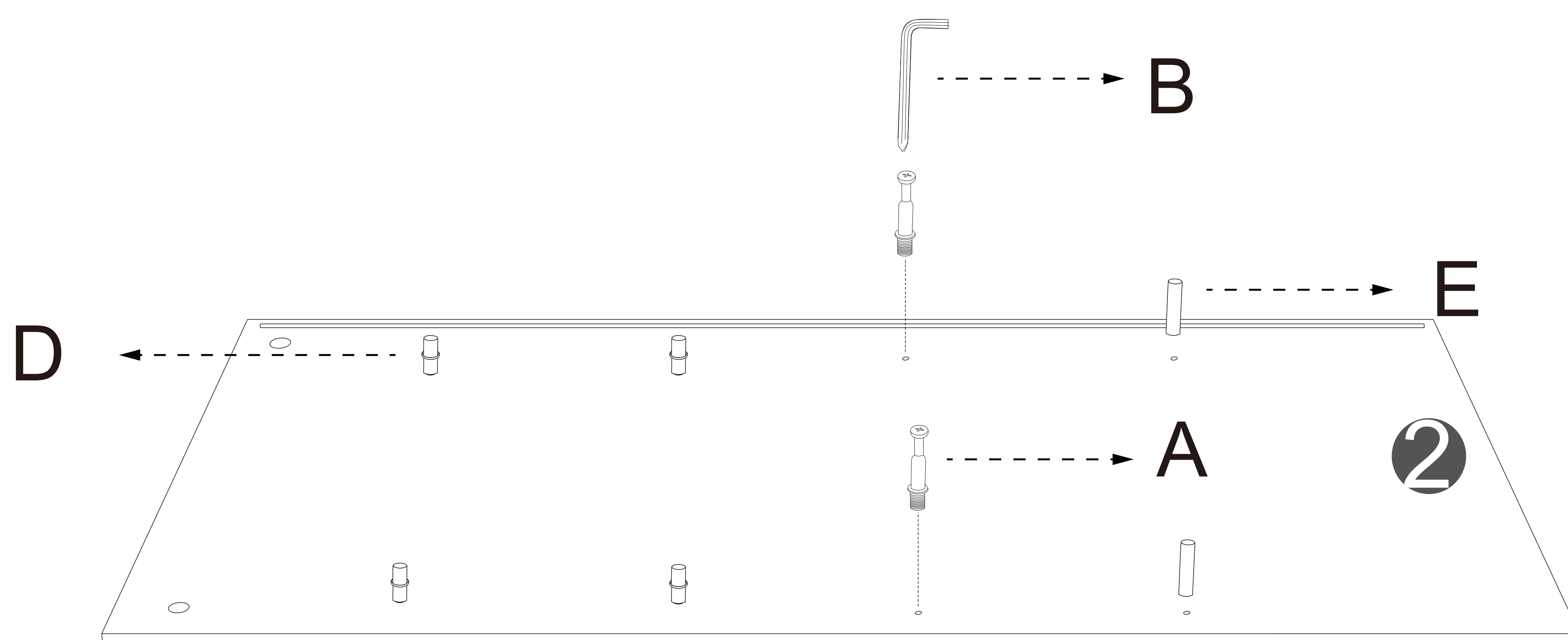
B\*1

D\*4

E\*2

## STEP 2

Screw lock pins(A) into holes on standing board(2) using Allen wrench(B), and attach board supports(D) and wooden dowels(E) to the top board.



2\*1

A\*2

B\*1

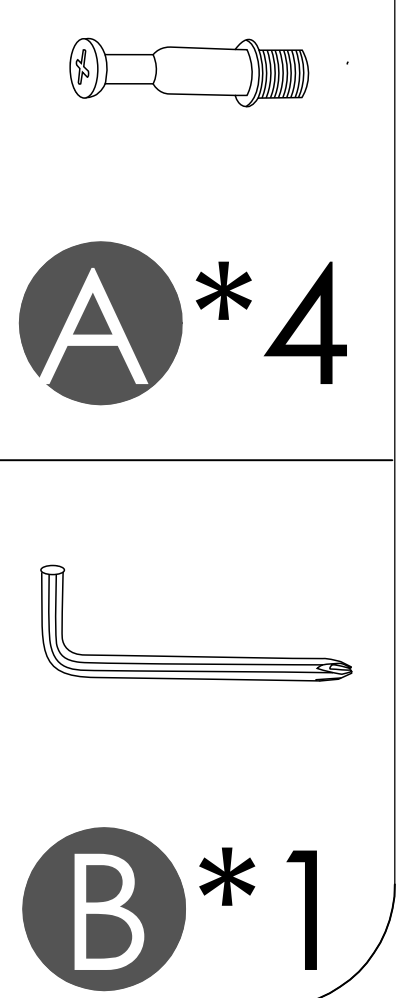
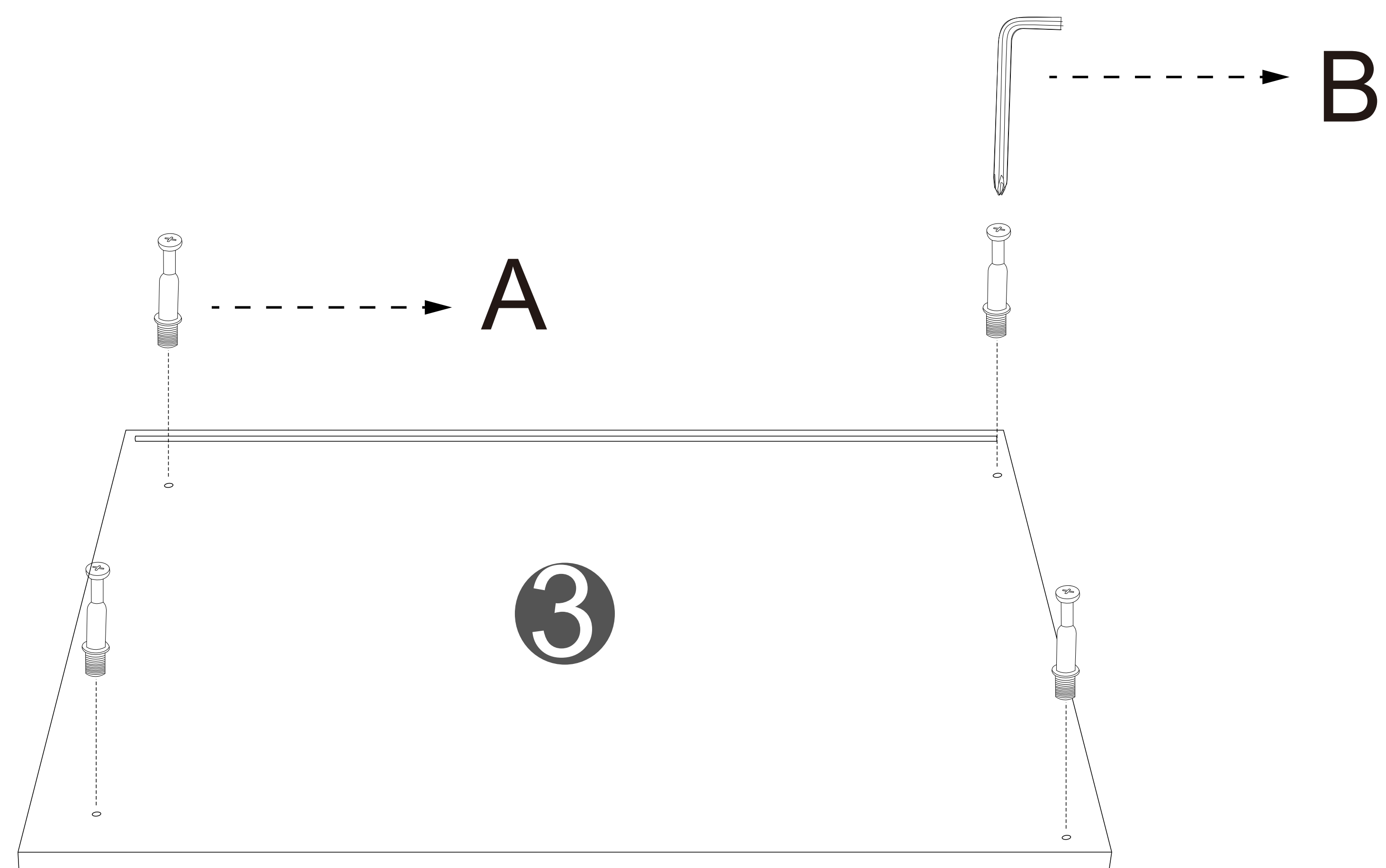
D\*4

E\*2

# Assembly Instruction

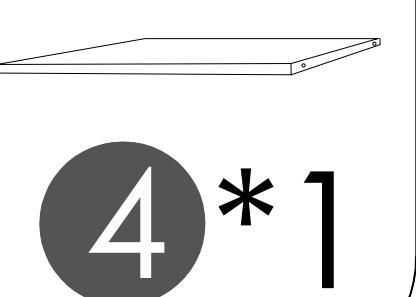
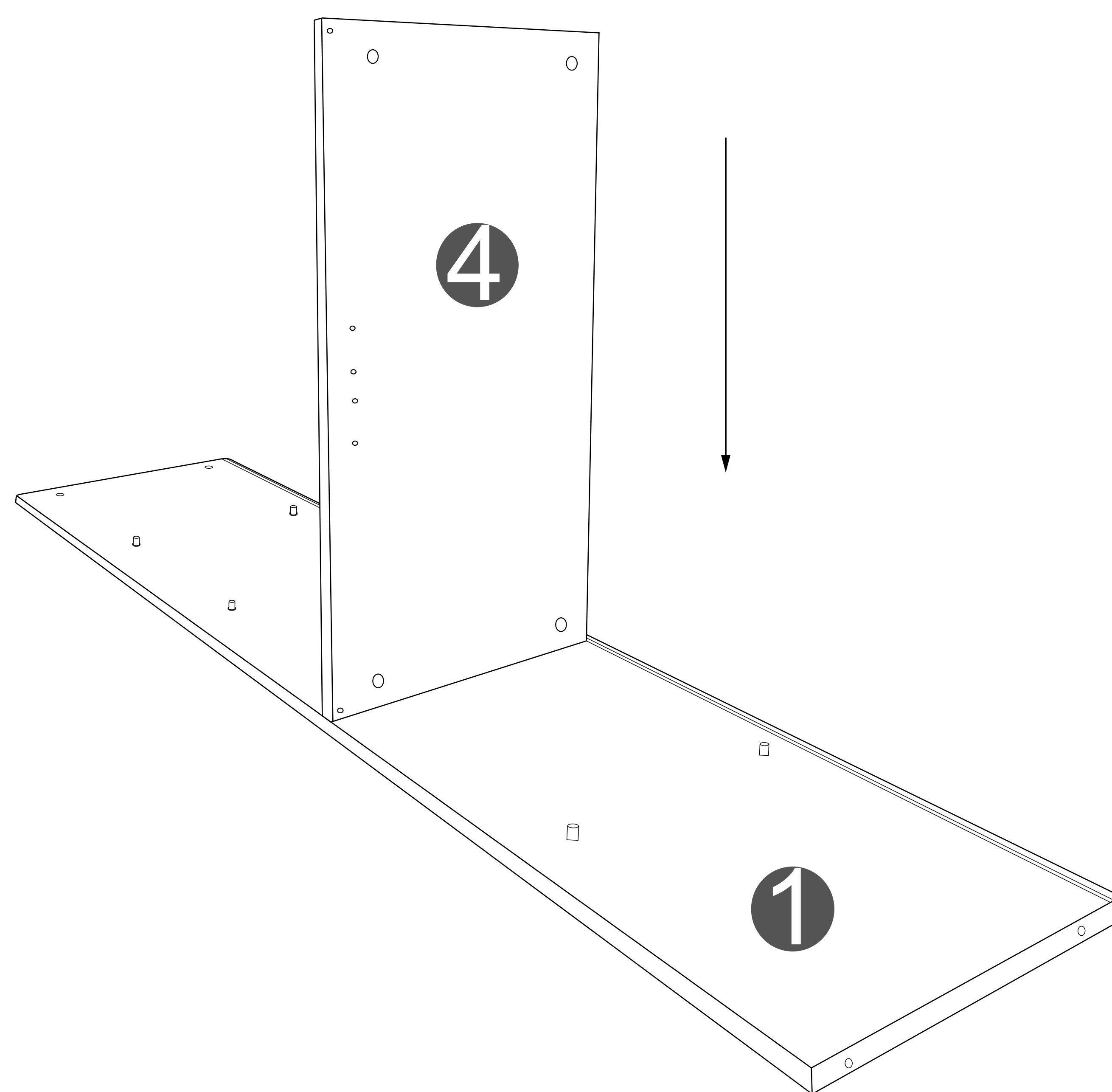
## STEP 3

Screw lock pins(A) into holes on top board(3) using Allen wrench(B).



## STEP 4

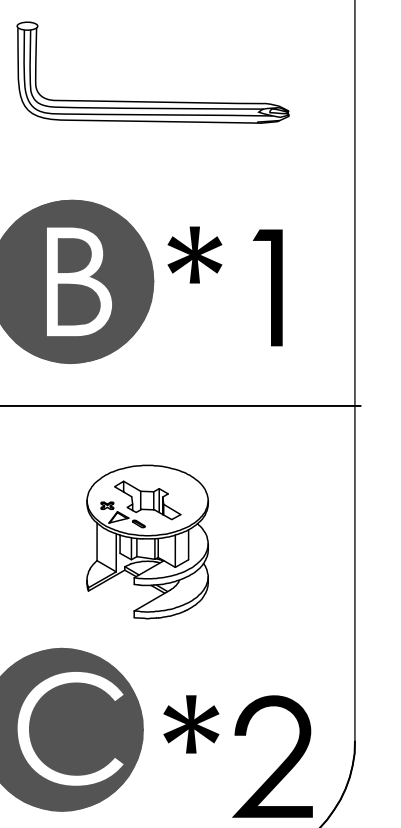
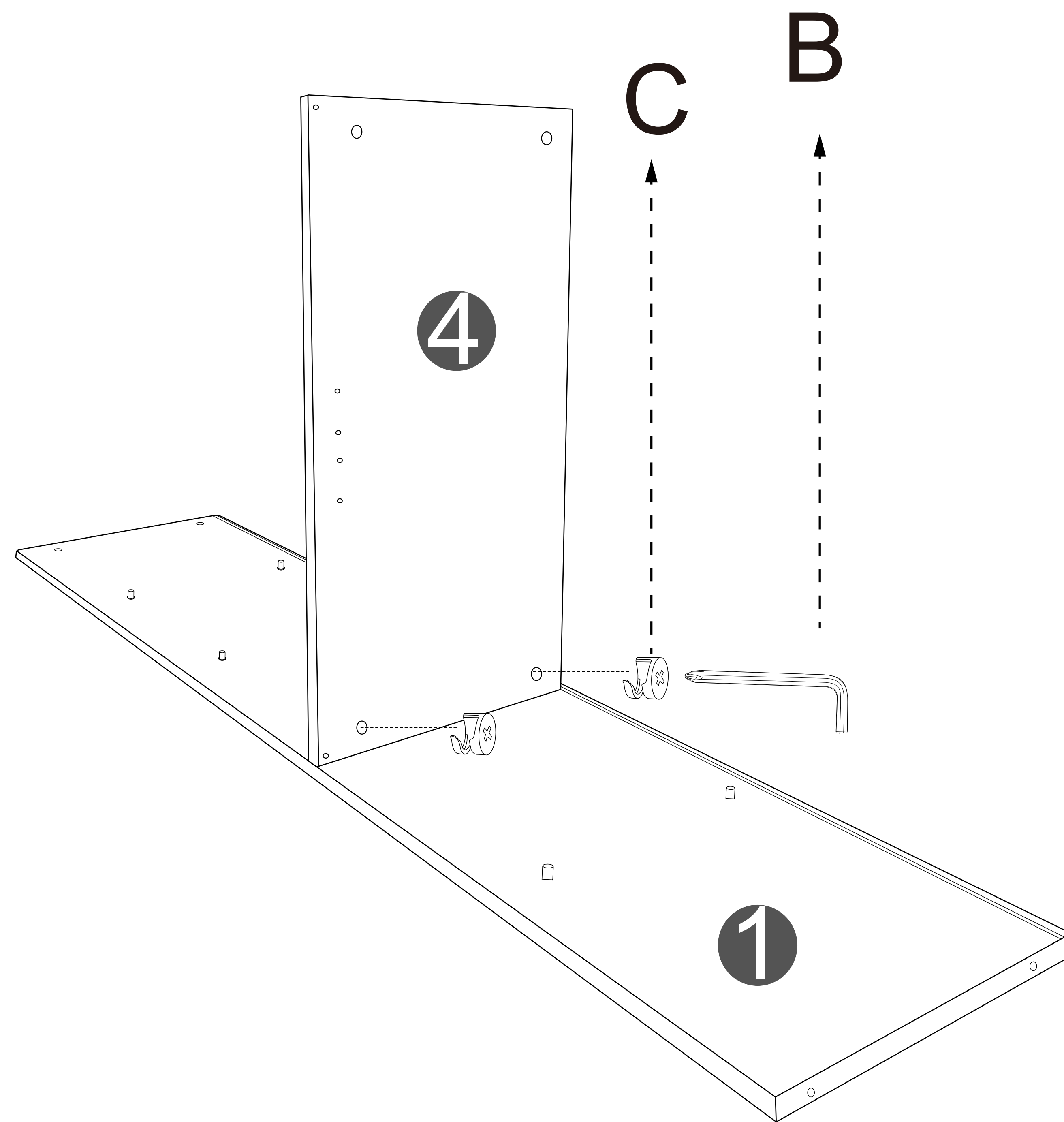
Attach top board and the board(4) to the left standing board(1).



# Assembly Instruction

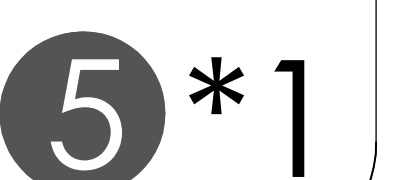
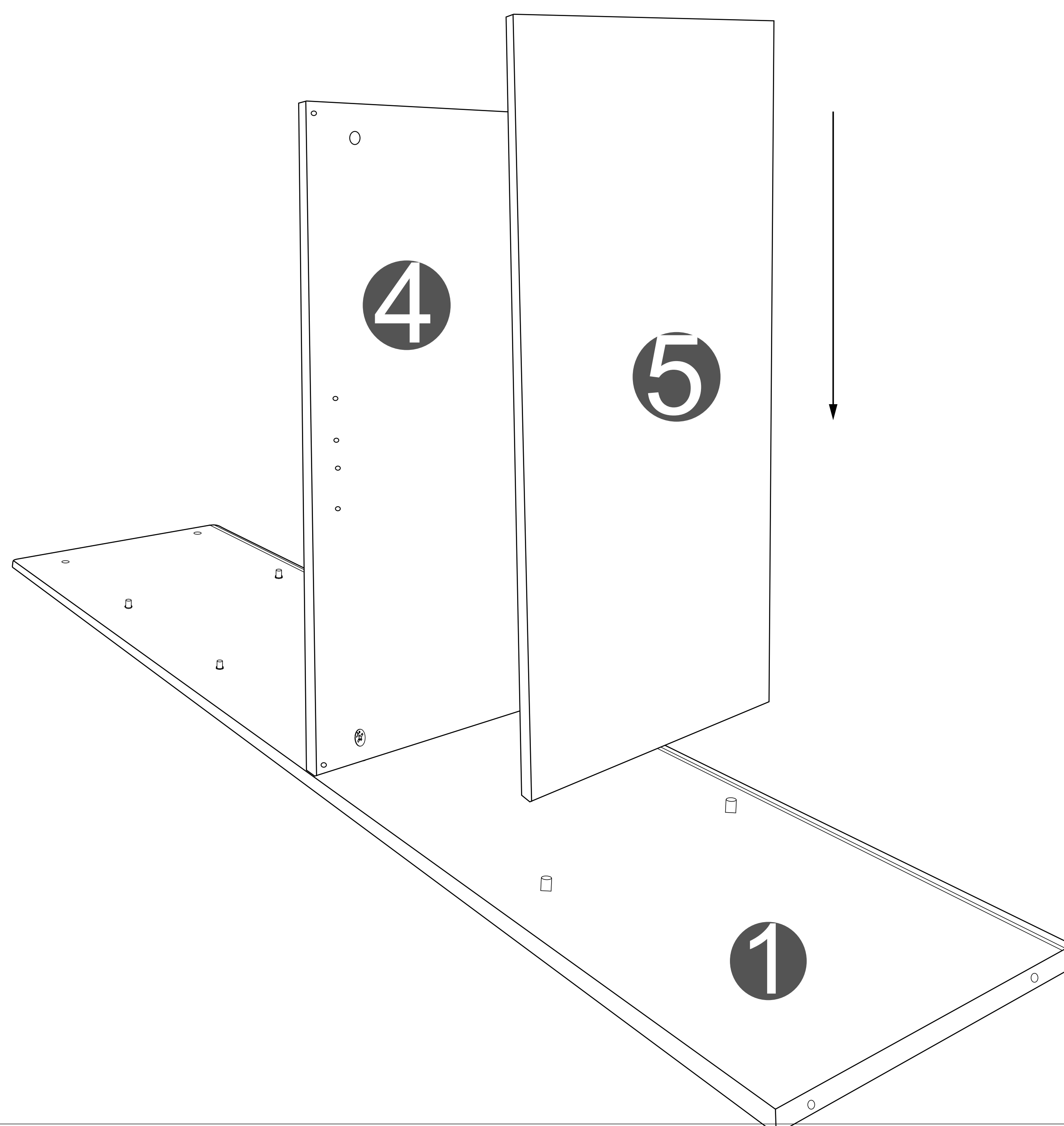
## STEP 5

Attach Klix cams (C) to the boards, and lock them using Allen wrench (B).



## STEP 6

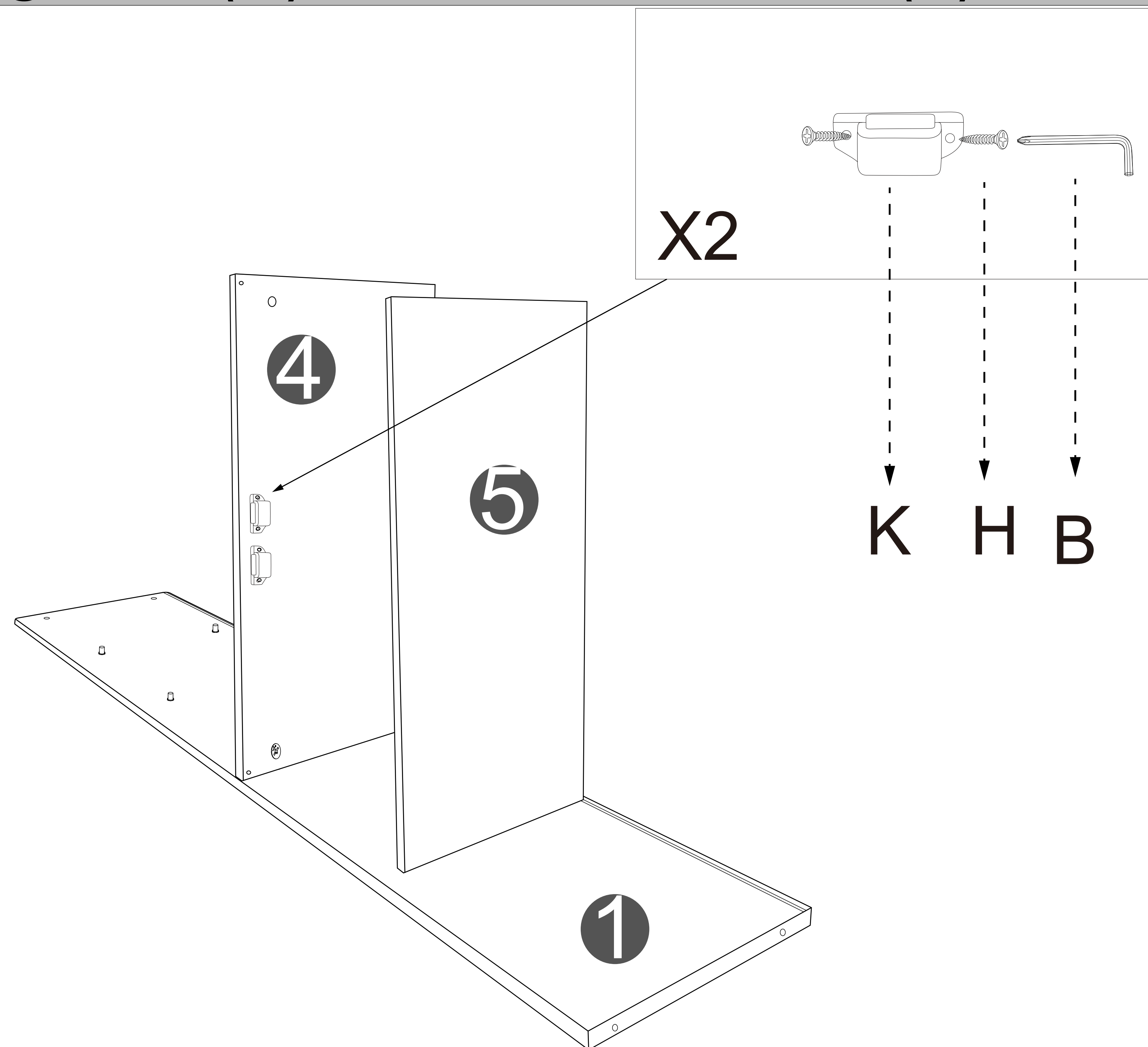
Attach layer board (5) to the left standing board.



# Assembly Instruction

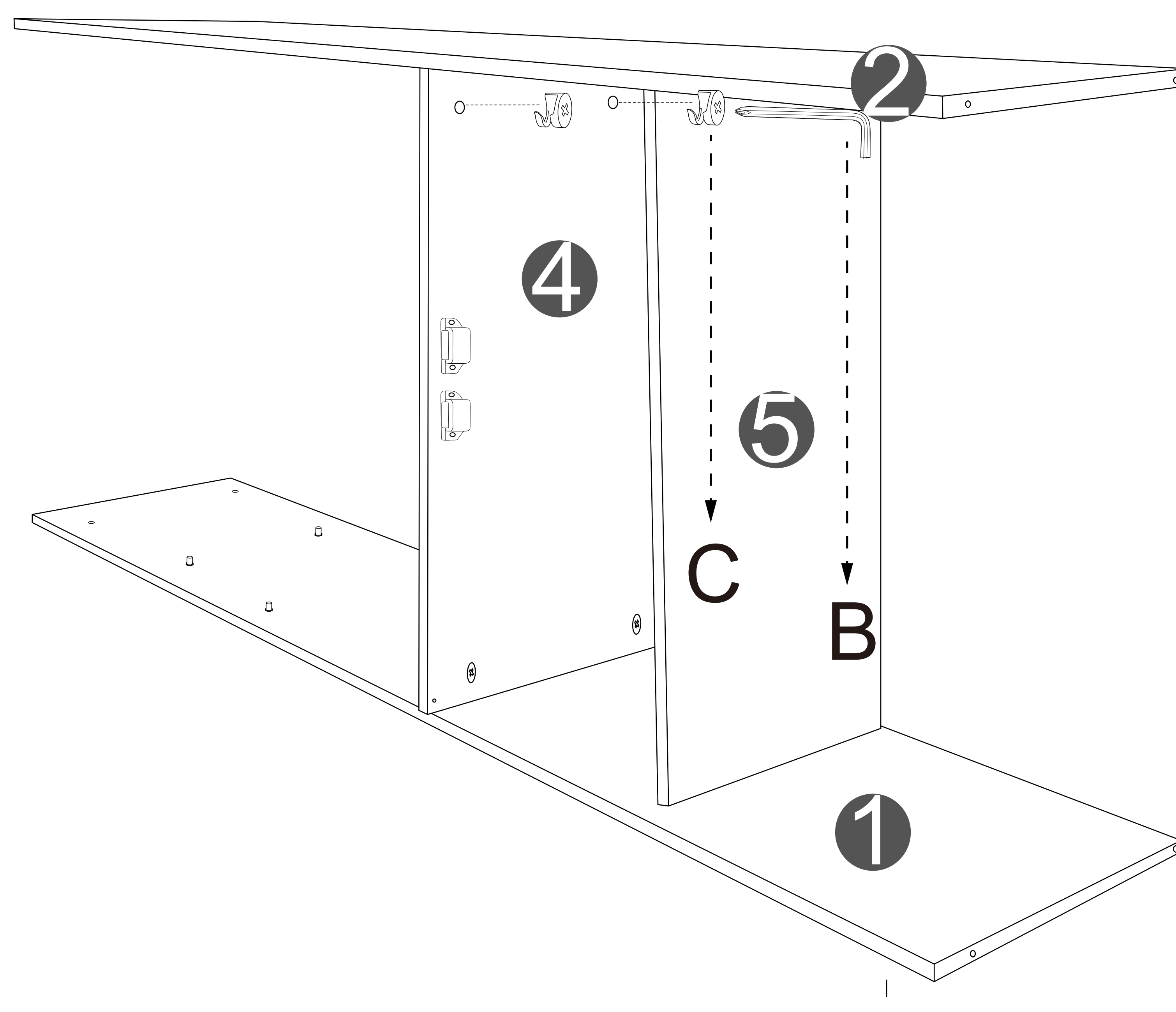
## STEP 7

Attach magnetic pieces(K) to the boards(4) using bolts(H) and Allen wrench(B).



## STEP 8

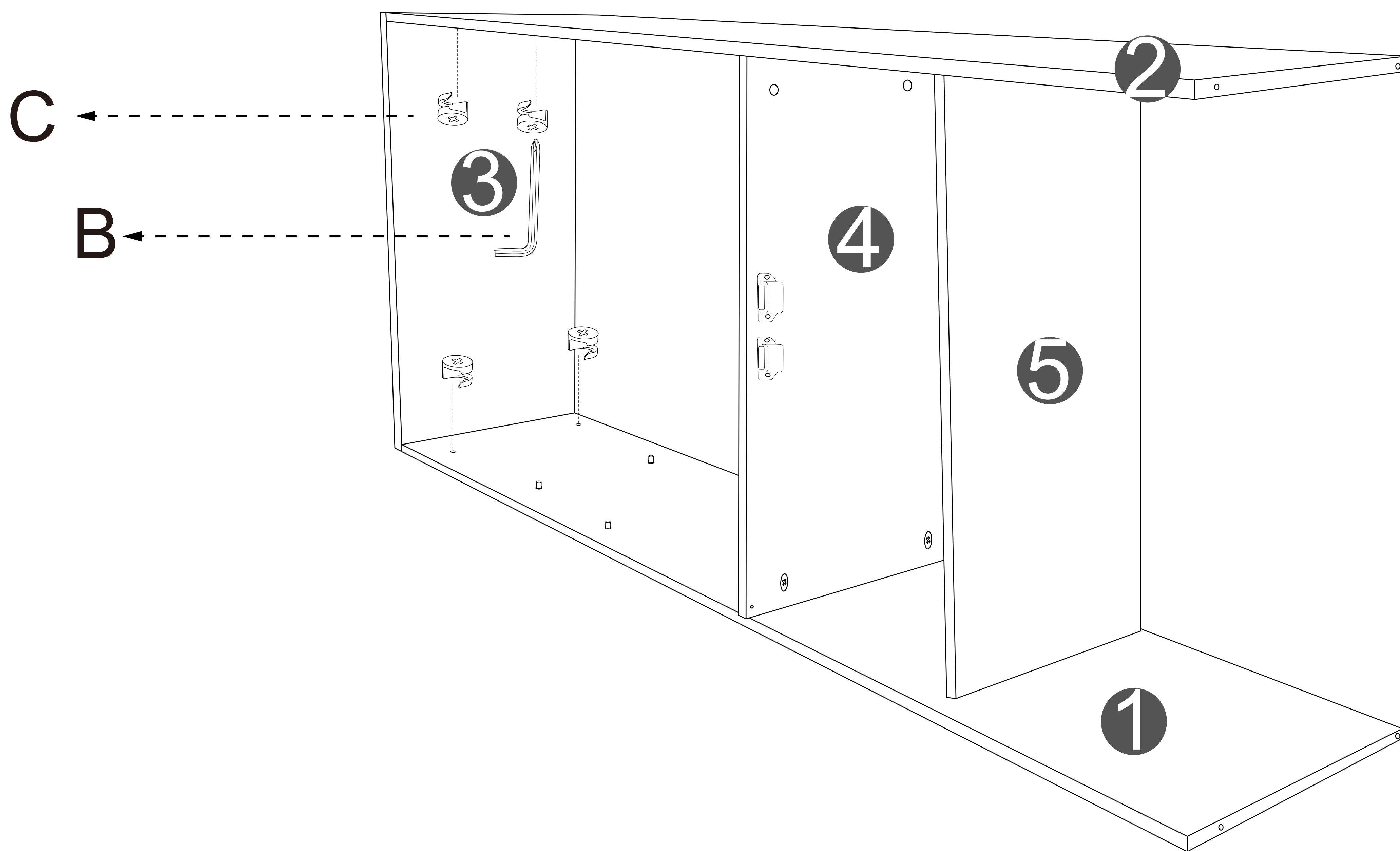
Attach right standing board(2) to the boards, and attach Klix cams(C) to the boards then lock them.



# Assembly Instruction

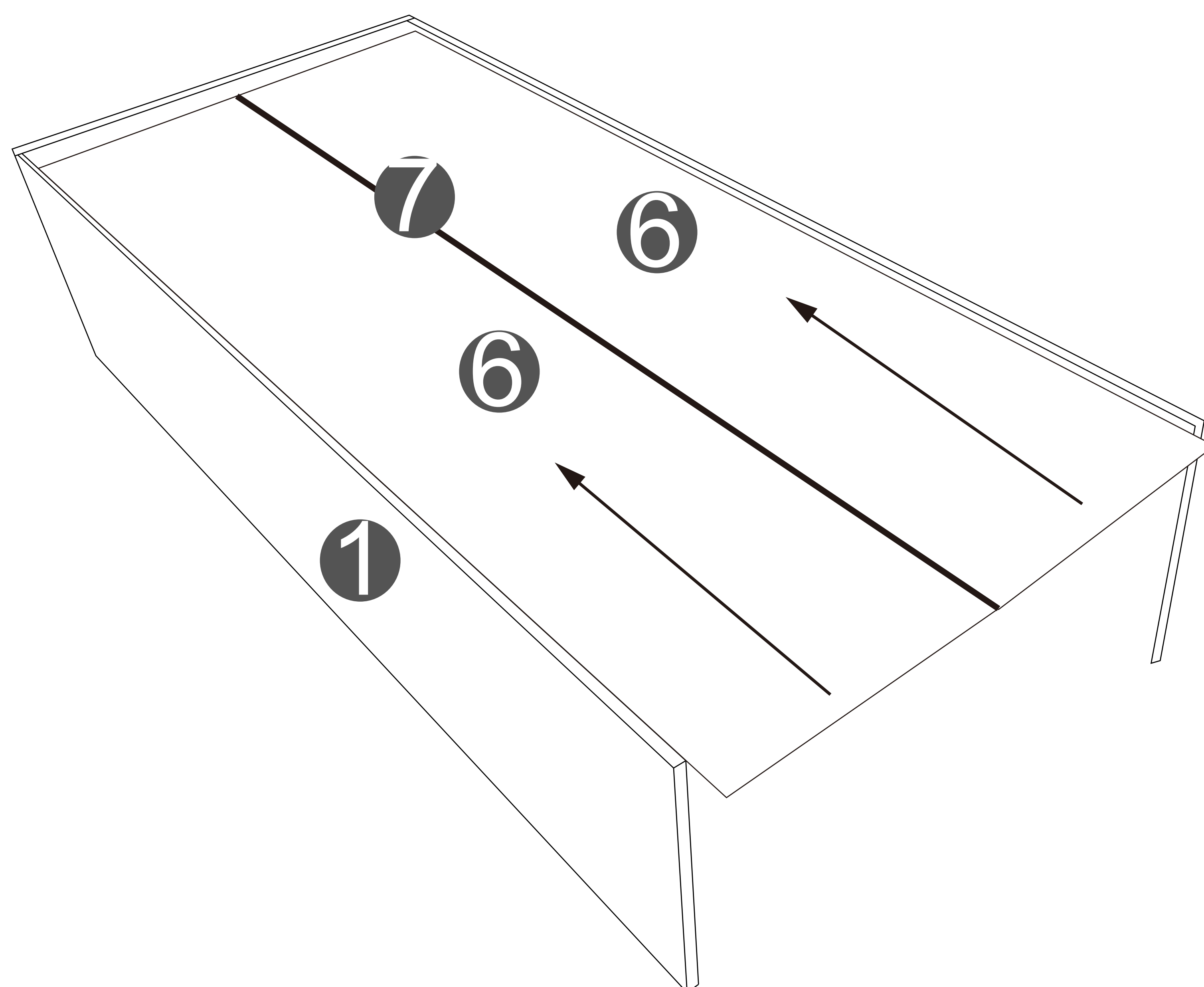
## STEP 9

Attach Klix cams(C) to the boards(1 & 2), and lock them using Allen wrench(B).



## STEP 10

Attach boards(6) and strip(7) to the frame.



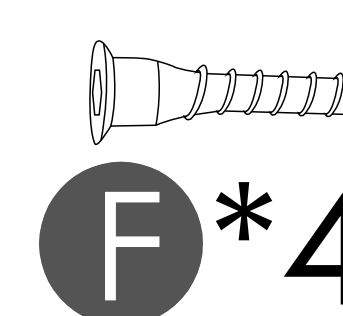
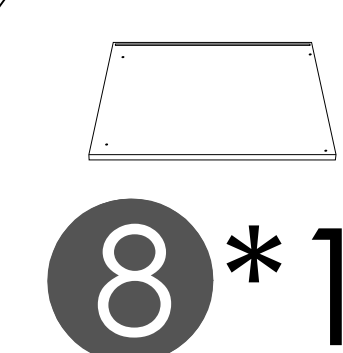
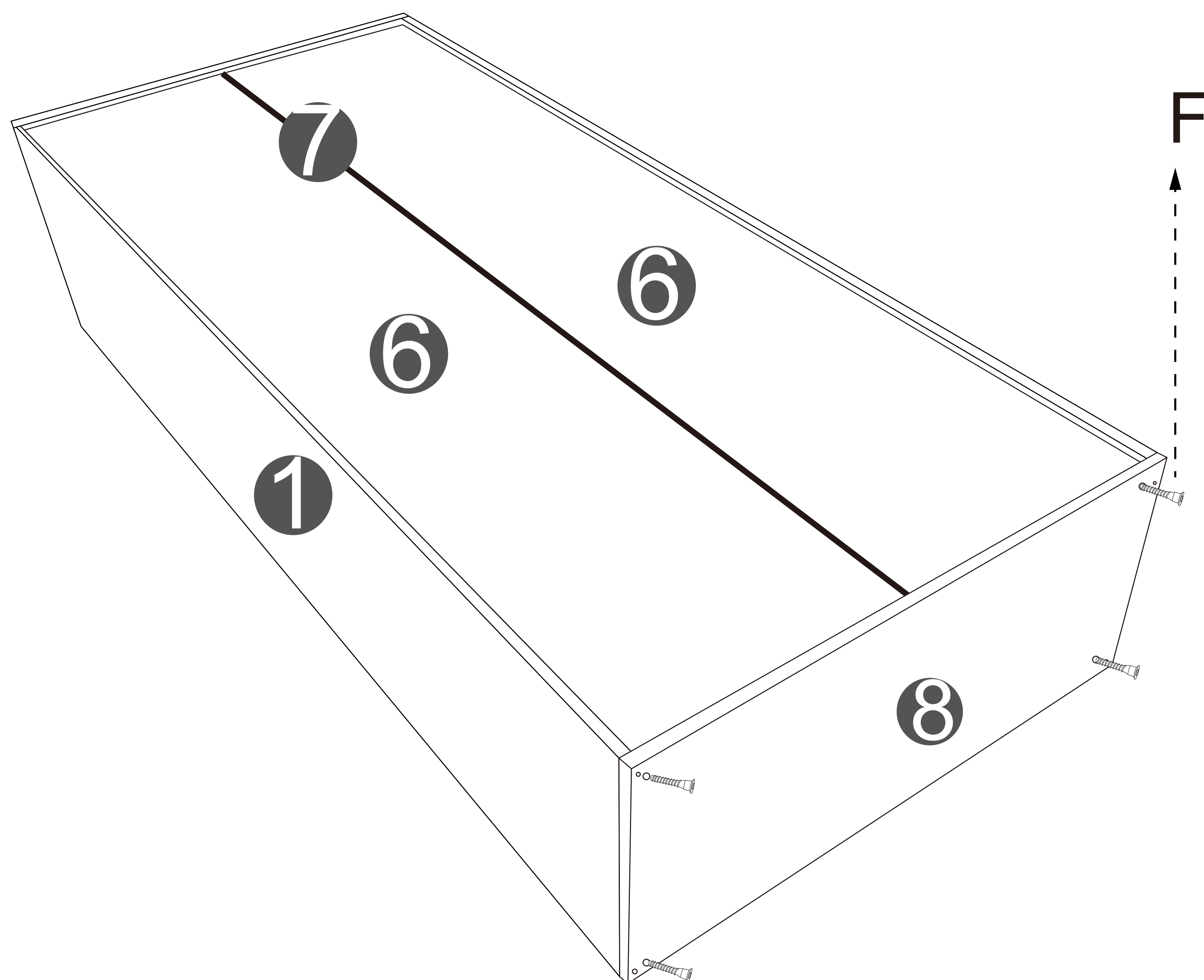
6\*2

7\*1

# Assembly Instruction

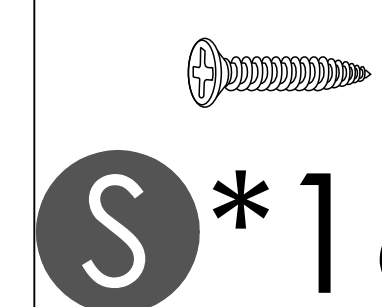
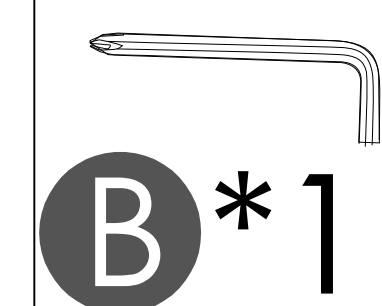
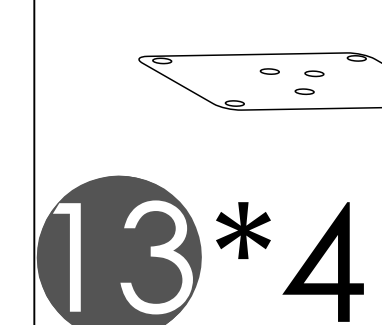
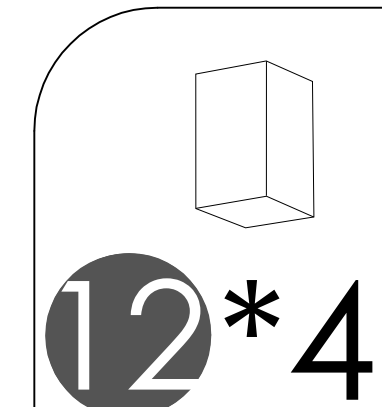
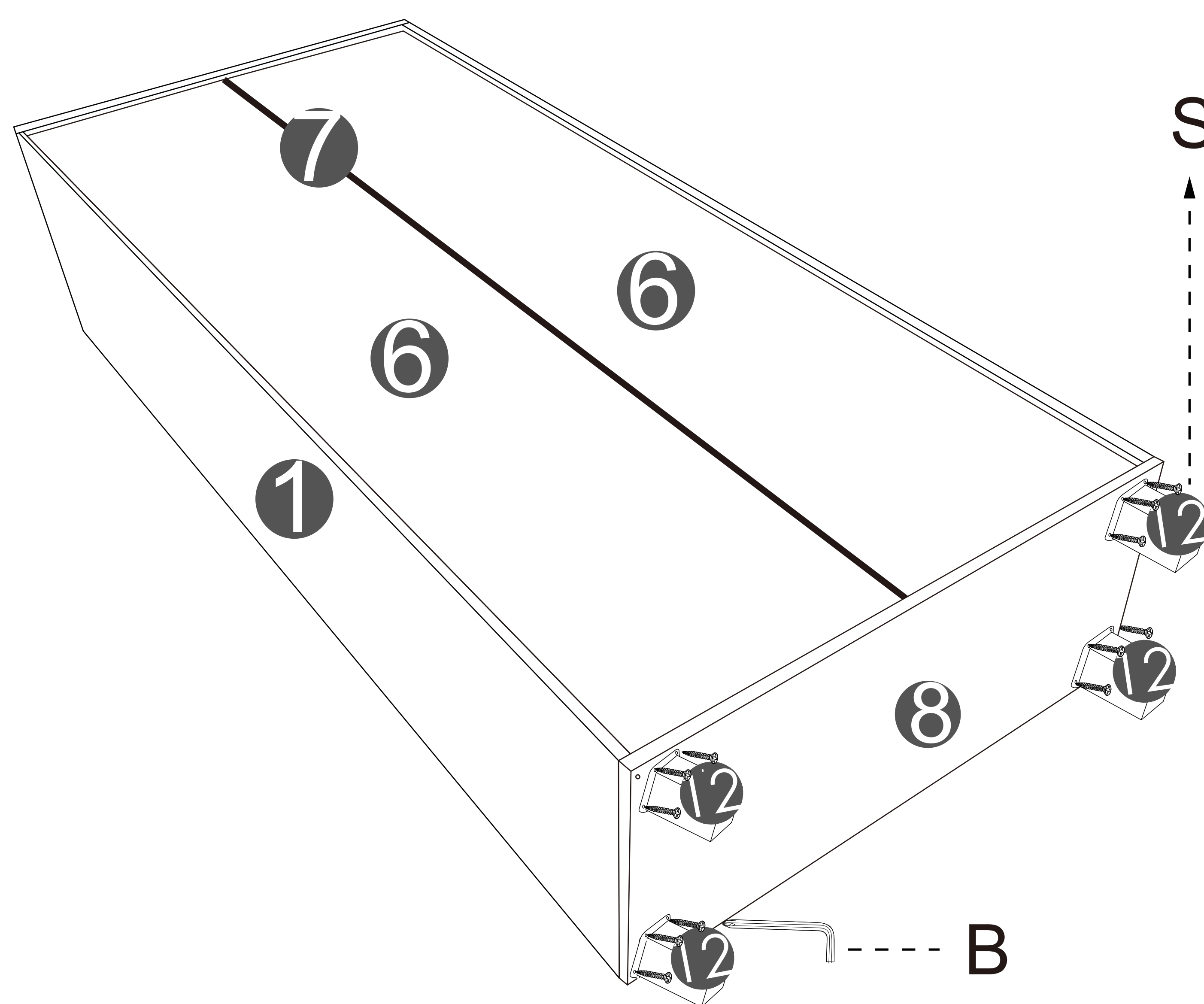
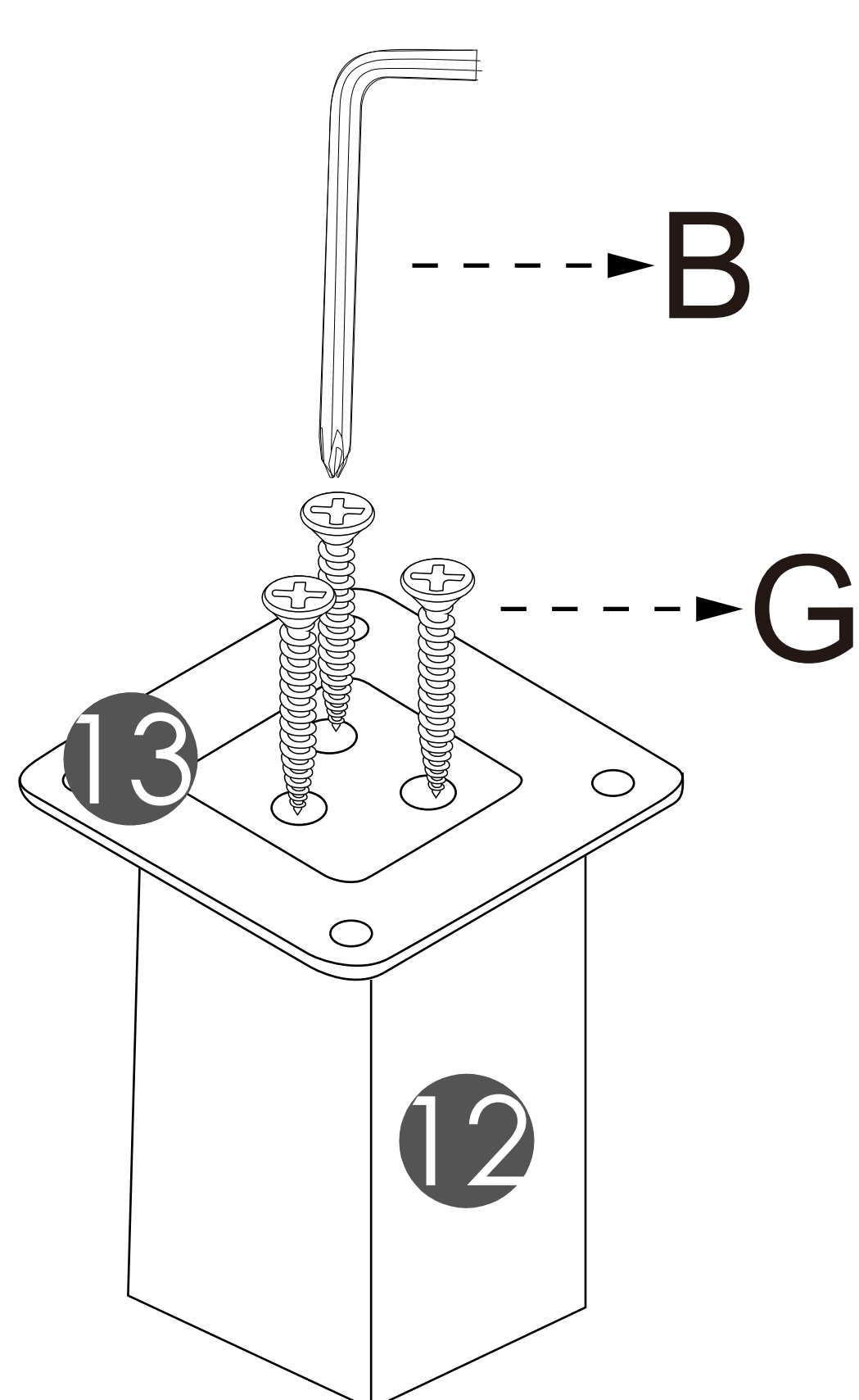
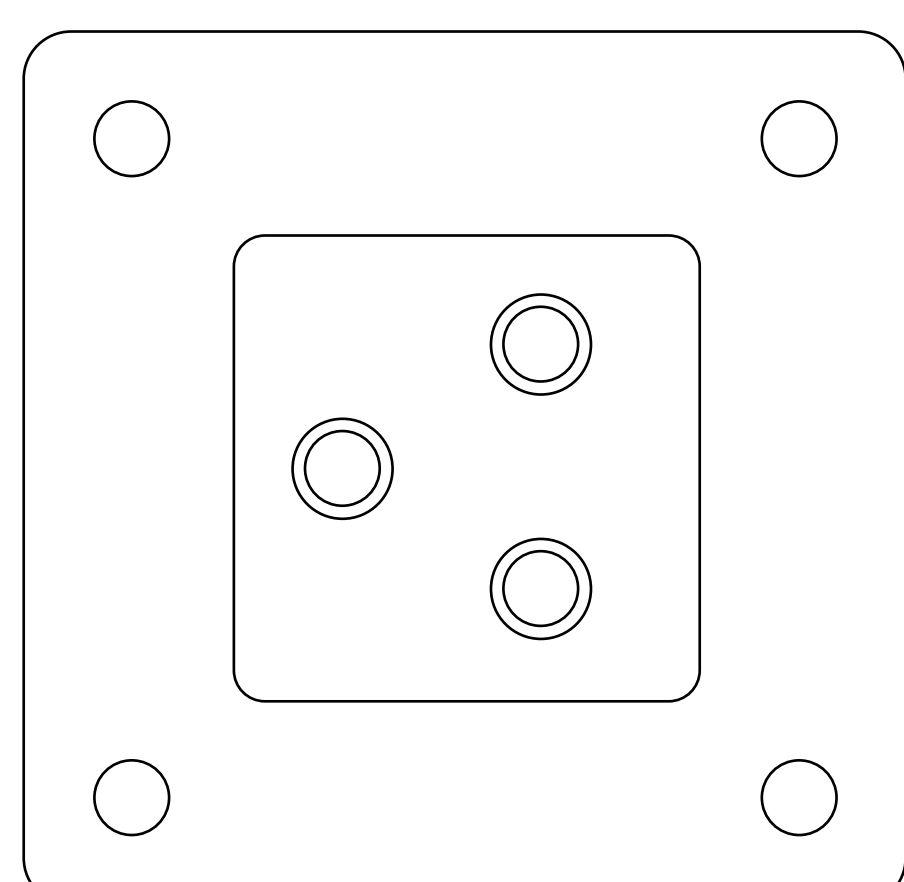
## STEP 11

Attach bottom board(8) to the standing boards using bolts(F).



## STEP 12

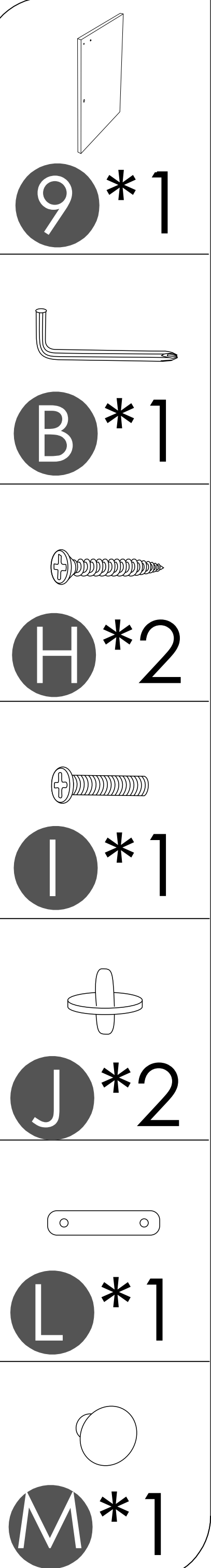
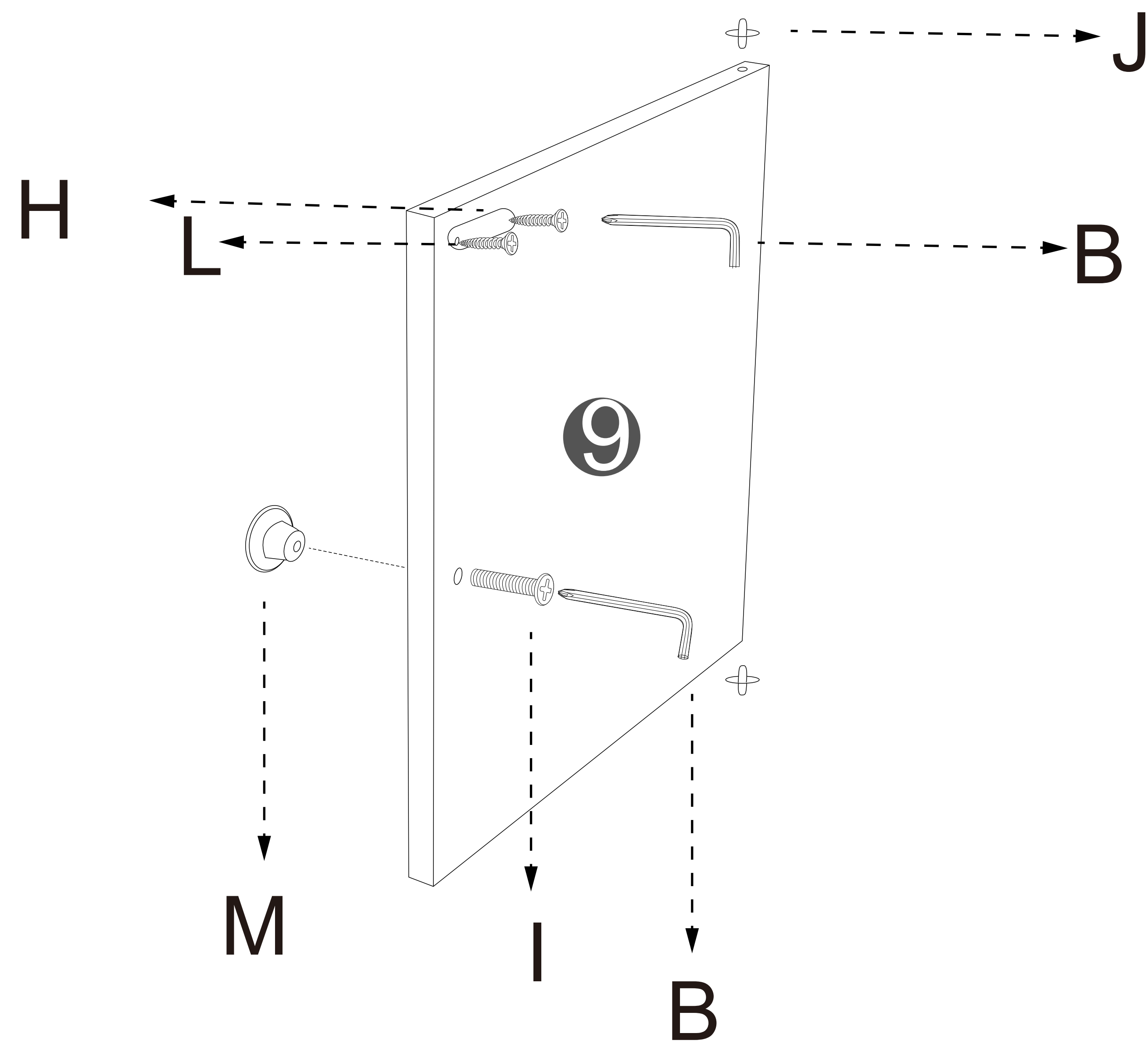
After installing the base plate, connect (12) and (13) with (G), paying attention to the direction of the arrow. Once assembled, use S to immediately attach them to the base plate, which has a lead hole



# Assembly Instruction

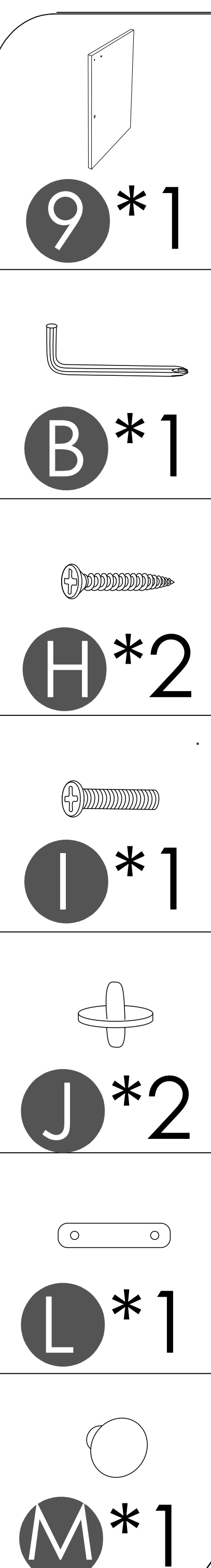
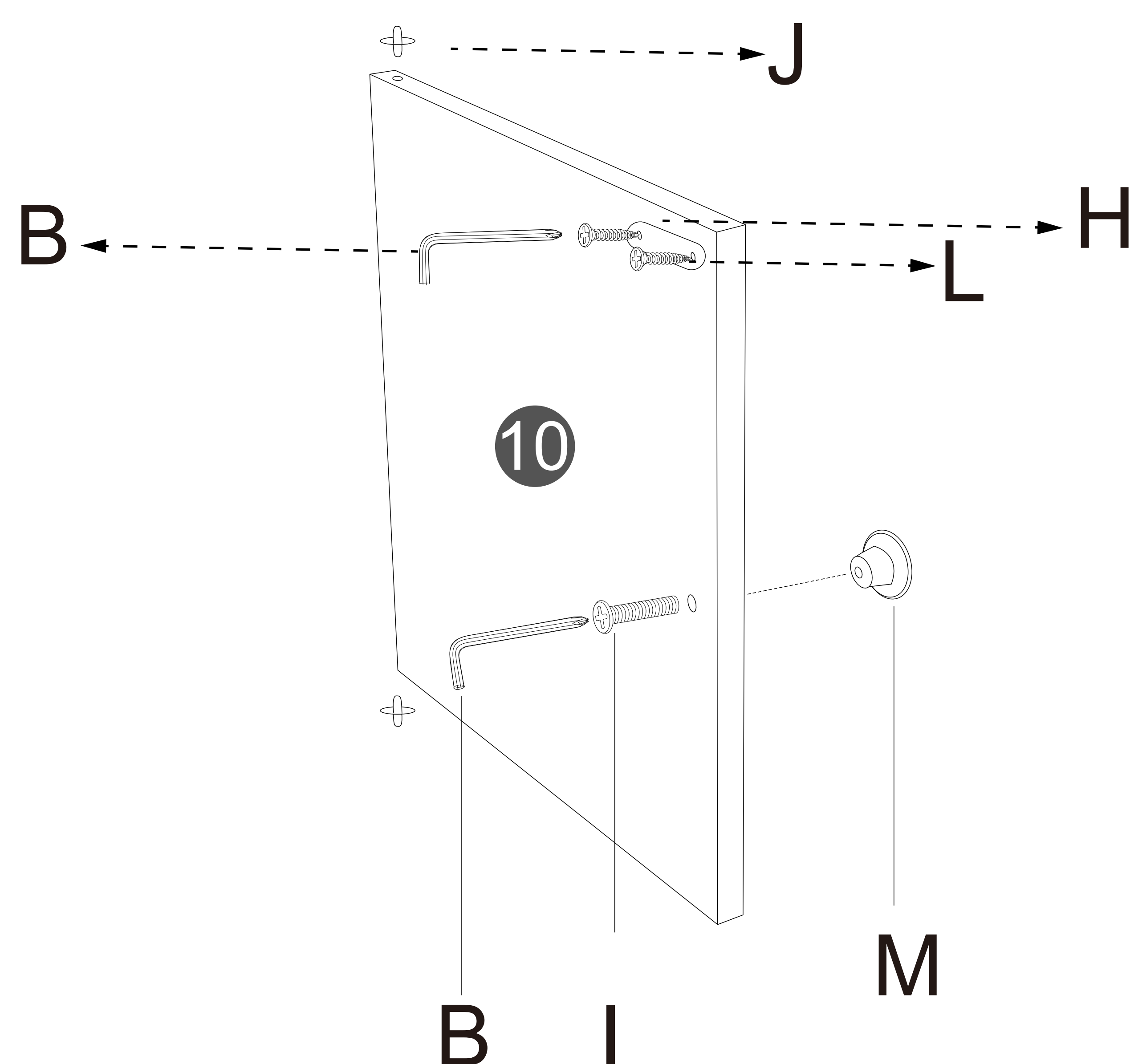
## STEP 13

Attach magnetic pieces(L) to the door board(9) using bolts(H) and Allen wrench(B), attach handles(M) to the door board using bolts(I) and Allen wrench(B), then insert door shafts(J) into the door board.



## STEP 14

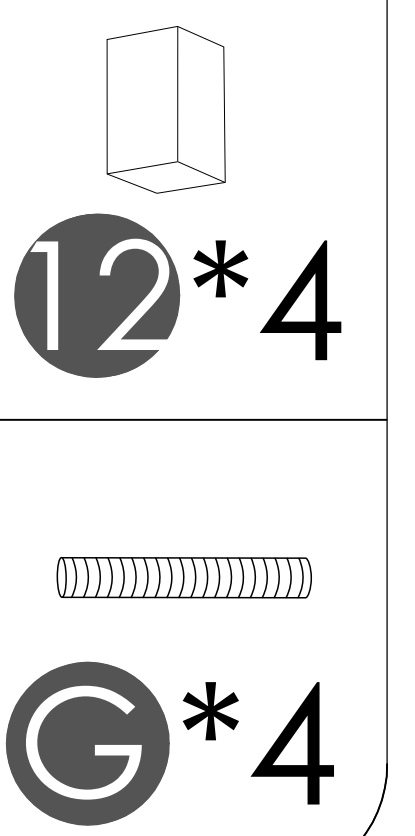
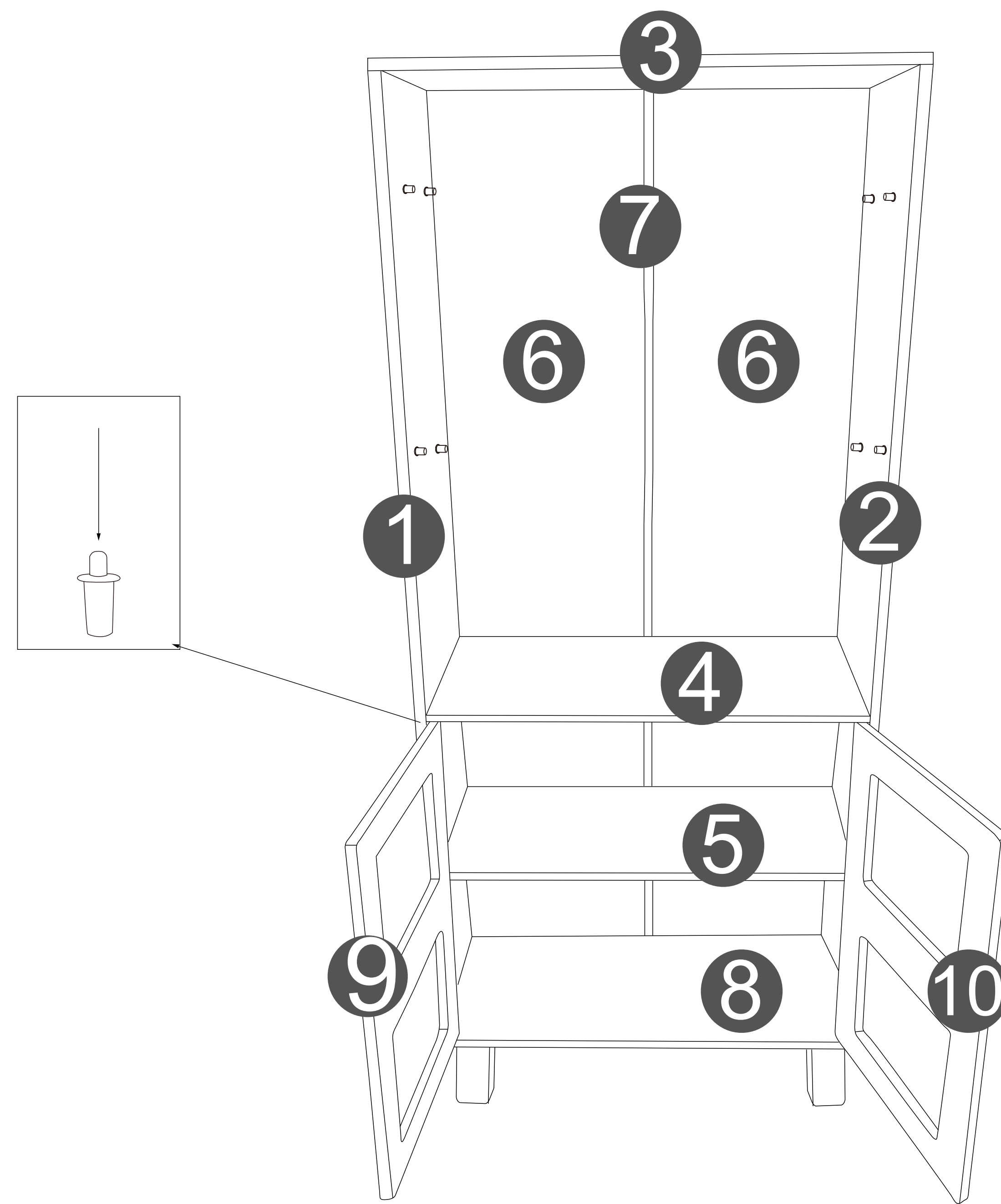
Attach magnetic pieces(L) to the door board(10) using bolts(H) and Allen wrench(B), attach handles(M) to the door board using bolts(I) and Allen wrench(B), then insert door shafts(J) into the door board.



# Assembly Instruction

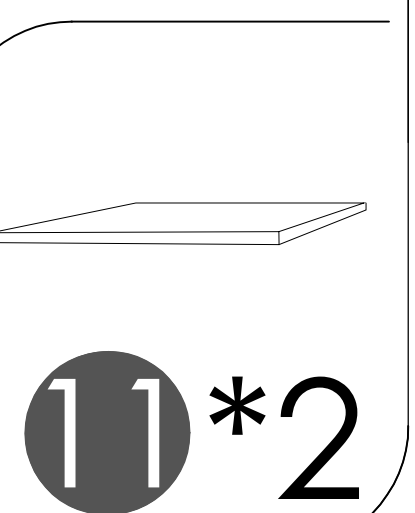
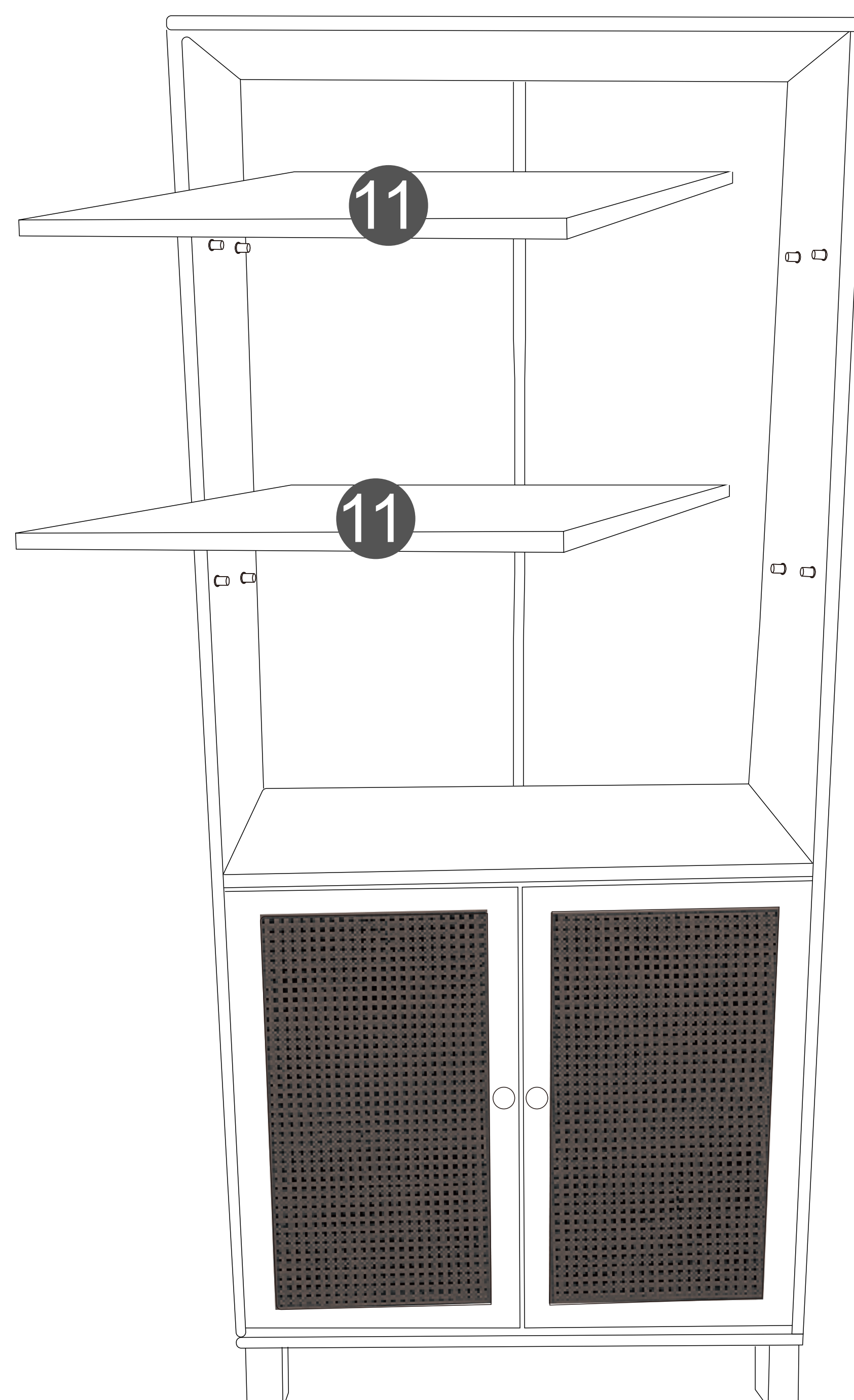
## STEP 15

Attach door boards to the cabinet after aiming the hole of door.



## STEP 16

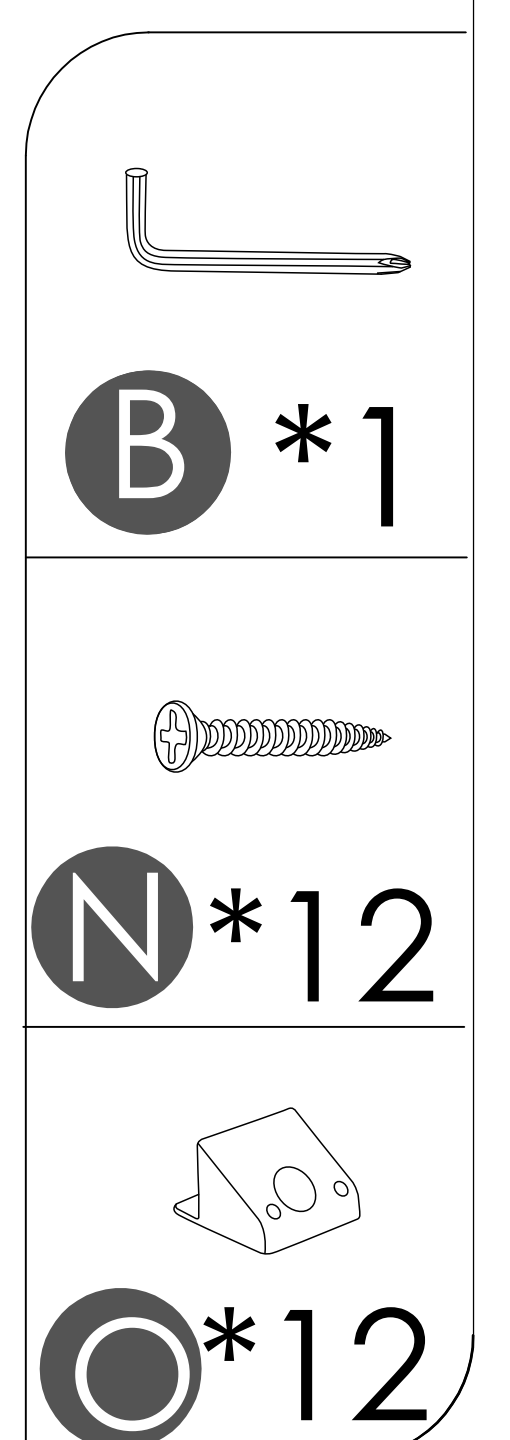
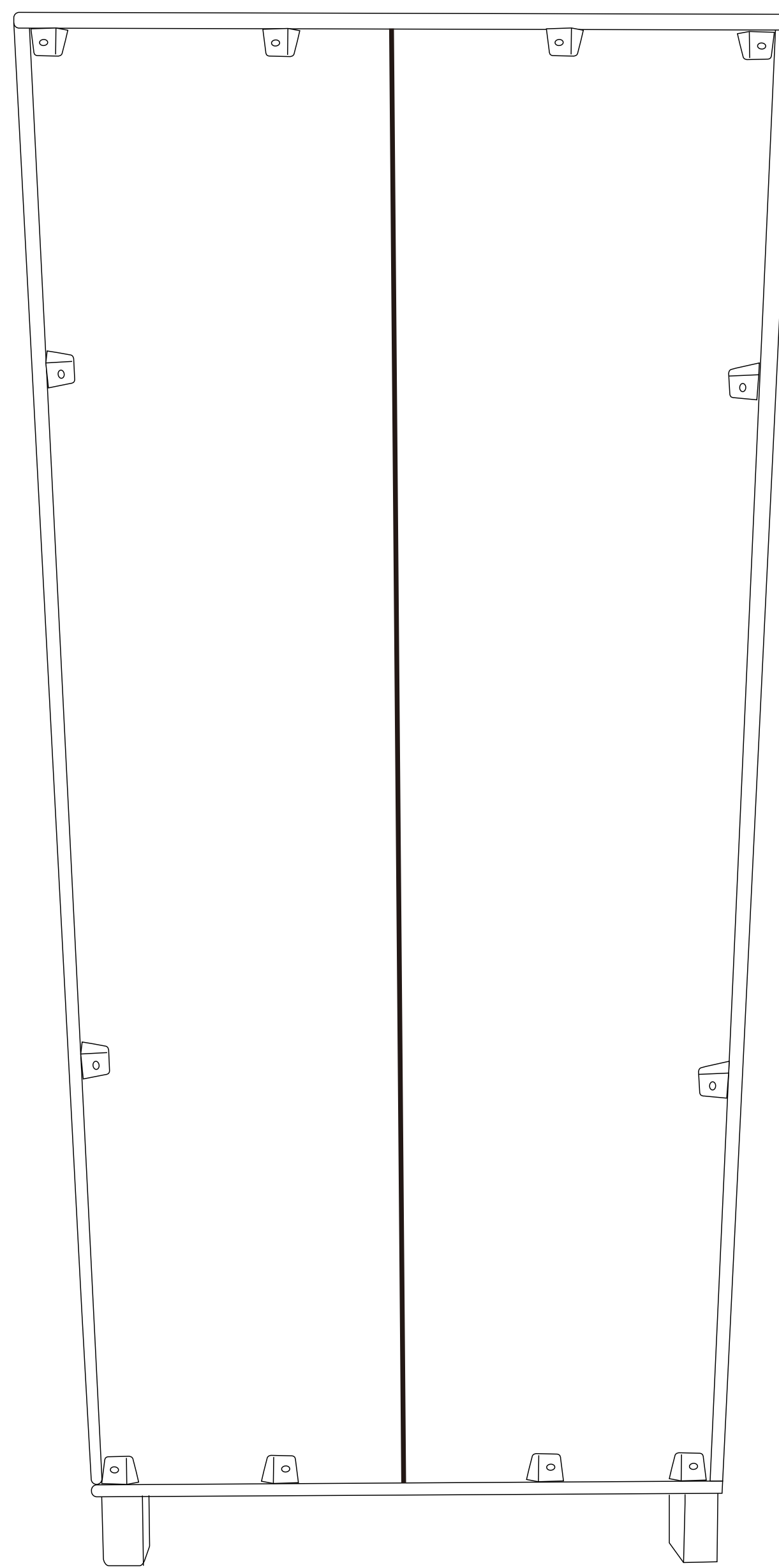
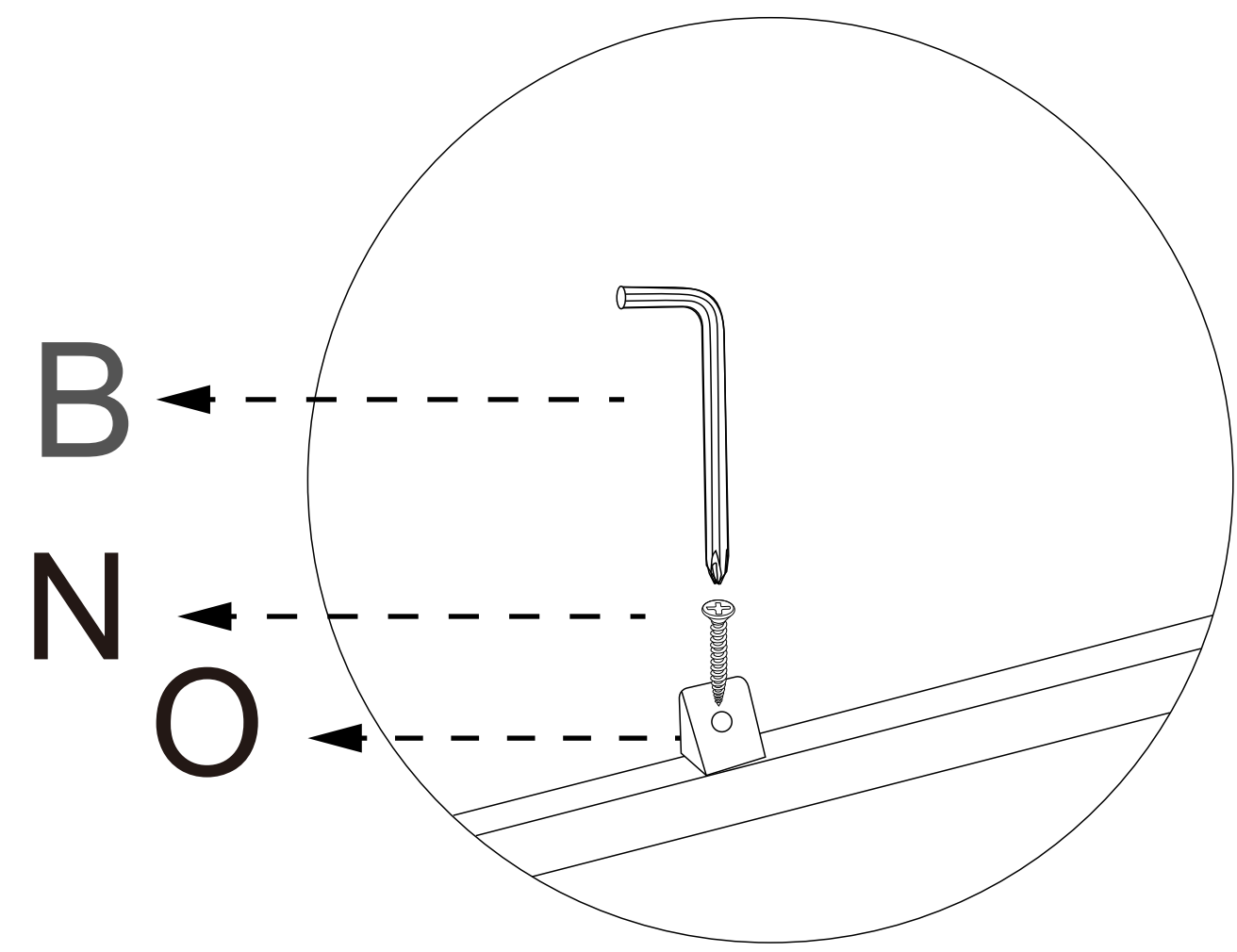
Attach layer boards(11) on the supports.



# Assembly Instruction

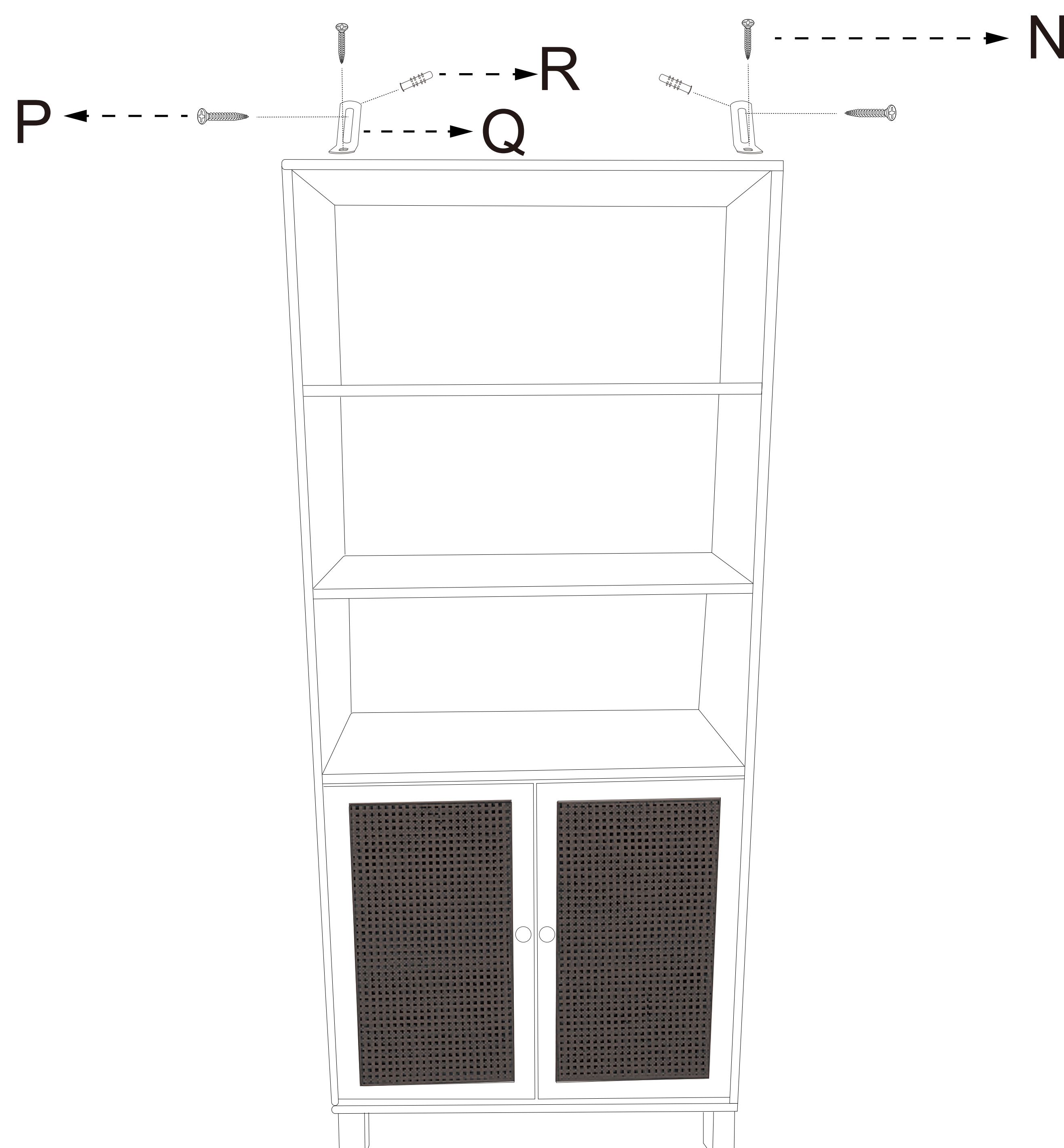
## STEP 17

Attach stabilizers(O) to the back board using bolts(N) and Allen wrench(B).



## STEP 18

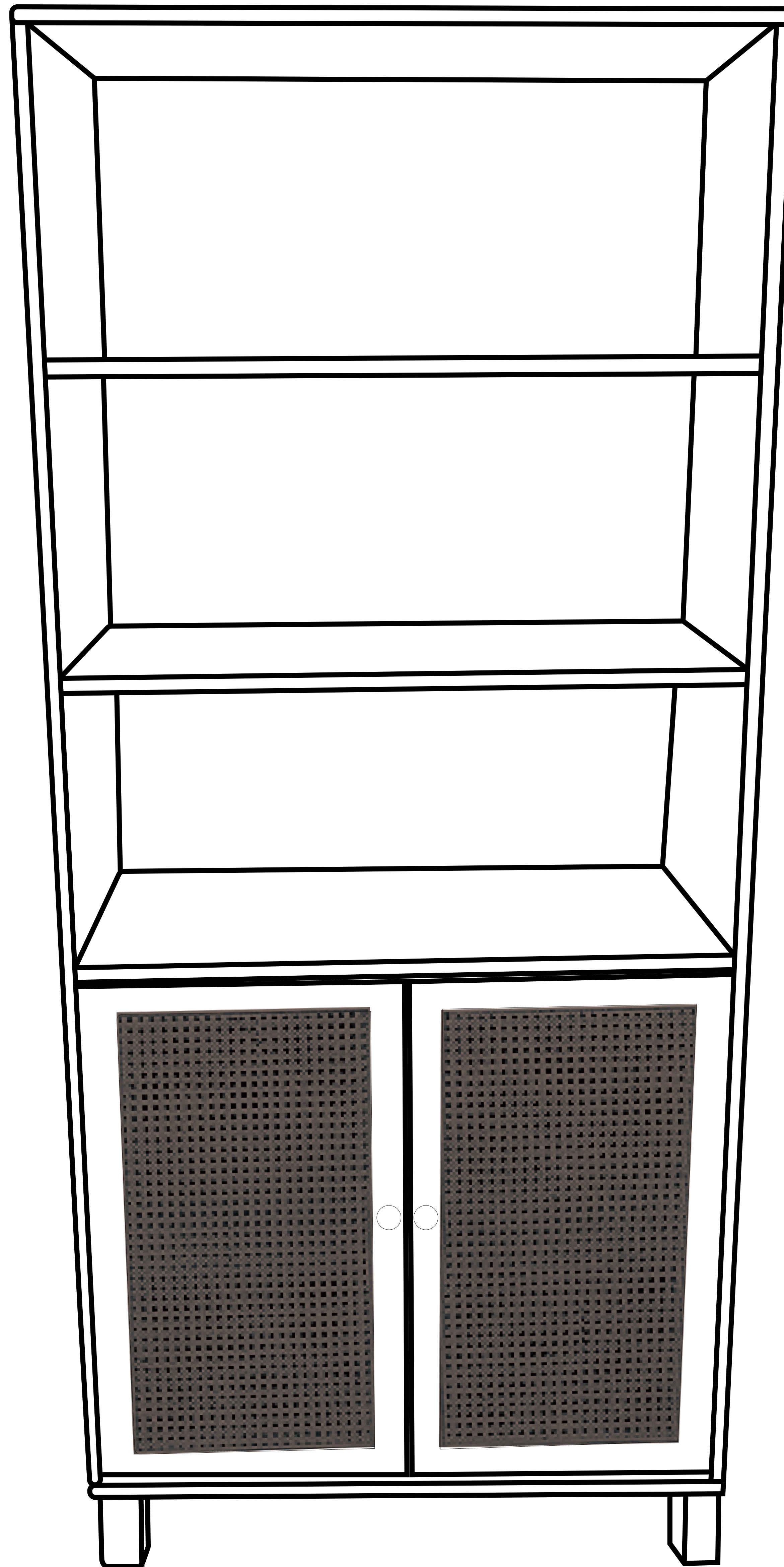
If you want to pin the bookcase to the wall, please attach plastic components(R) to the wall, and attach stabilizers(Q) to the top board using bolts(N), then attach stabilizers(Q) to the wall using bolts(P).



# Assembly Instruction

**STEP 19**

The assembly is done.



DONE