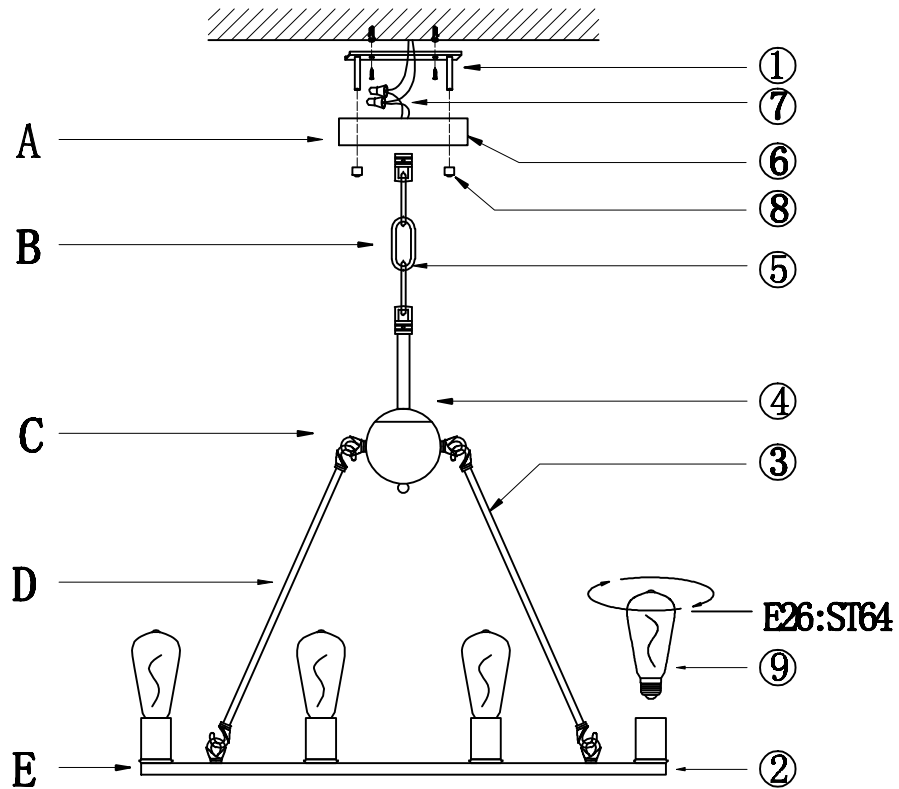


Installation instructions

Installation sequence diagram



Please complete the assembly in sequence:

- ① ② ③ ④ ⑤ ⑥ ⑦ ⑧ ⑨

assembly parts list

Serial Number	picture	Accessory Name	quantity
A		canopy	1 PCS
B		Chains	1 PCS
C		Globe lamp ancient	1 PCS
D		Boom	4 PCS
E		Hardware lamp holder	1 PCS
F			