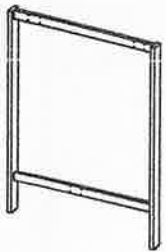
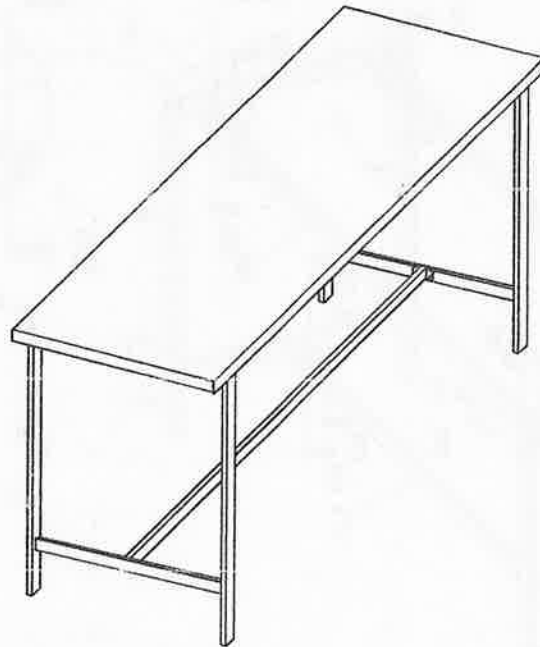


ASSEMBLY INSTRUCTIONS



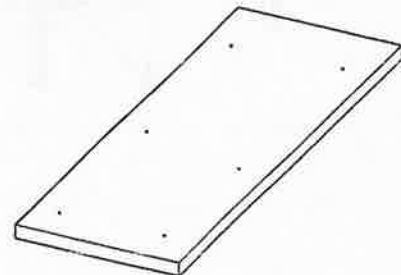
A*2PCS



B*2PCS



C*1PCS



D*1PCS

E*24PCS



1/4" * 16MM

F*6PCS



1/4" * 75MM

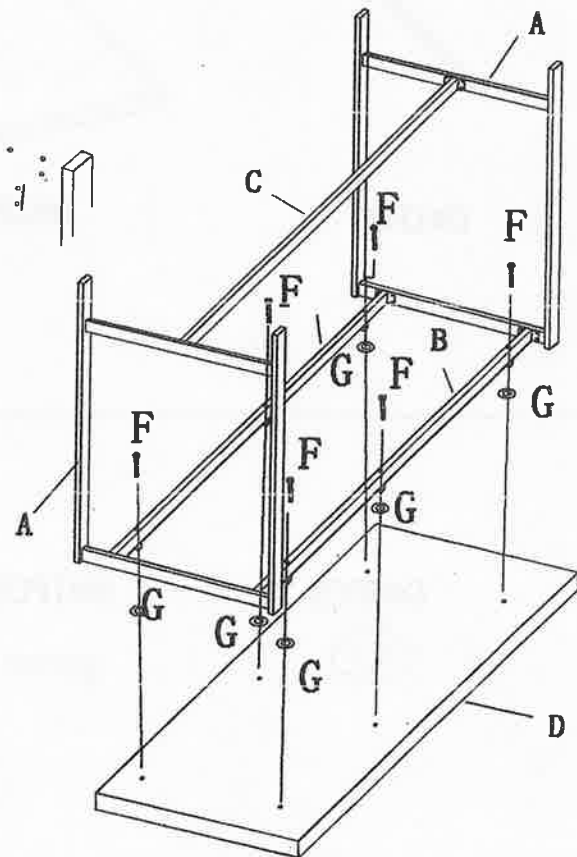
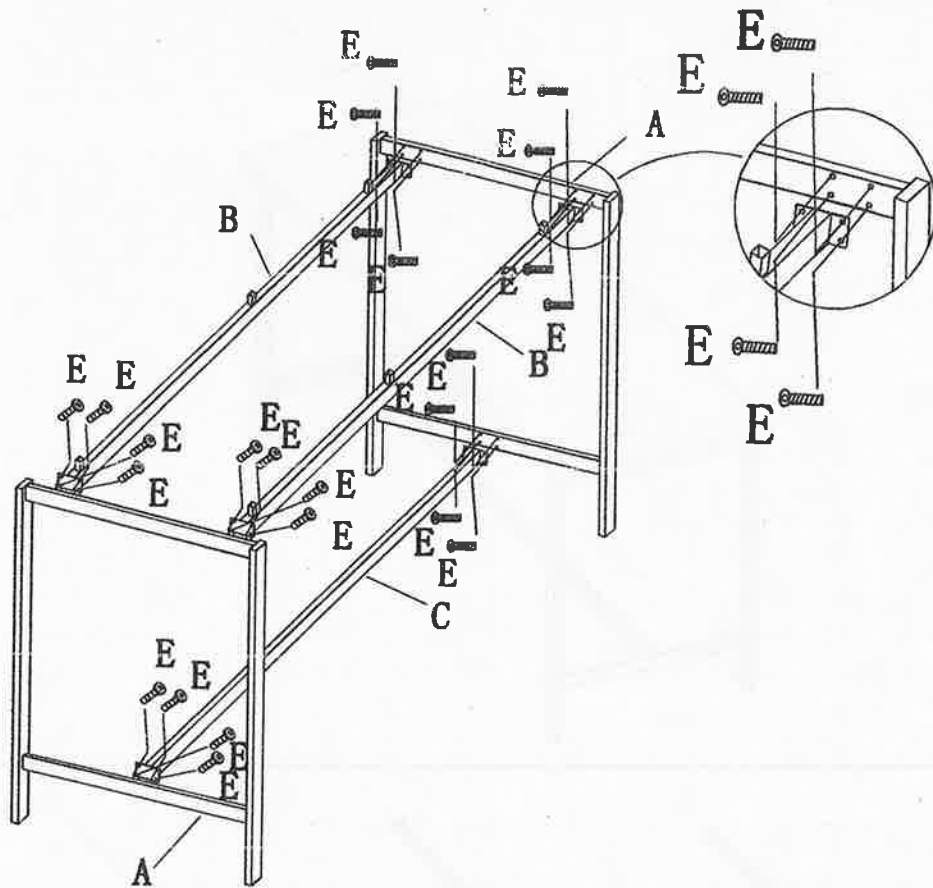
G*6PCS



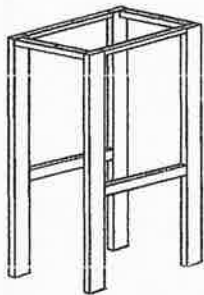
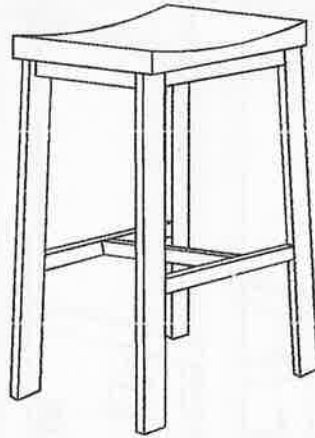
H*1PCS



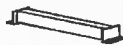
Note: Pls do not tighten all bolts until the table or chair is assembled completely



ASSEMBLY INSTRUCTIONS



A*4PCS



B*4PCS



C*4PCS

D*16PCS



1/4" * 16MM

E*16PCS



M5*40MM

F*1PCS



Note: Pls do not tighten all bolts until the table or chair is assembled completely

