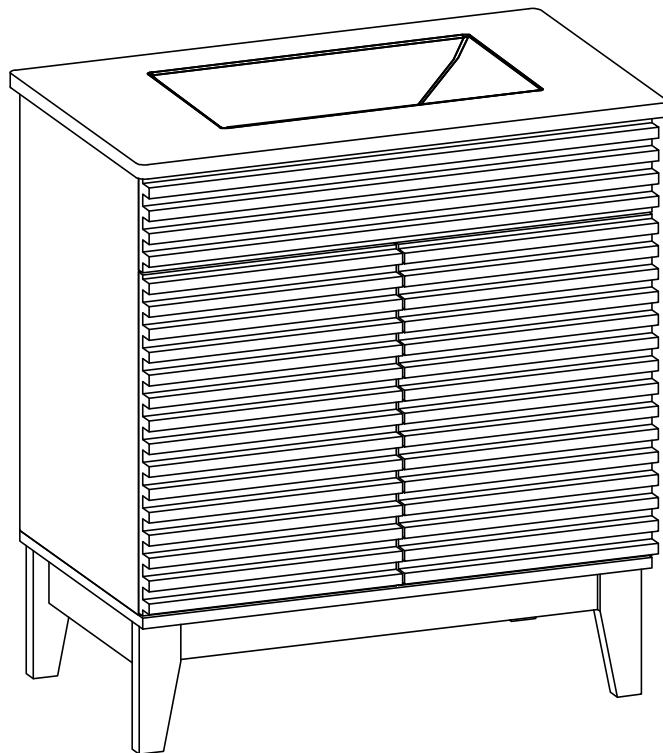
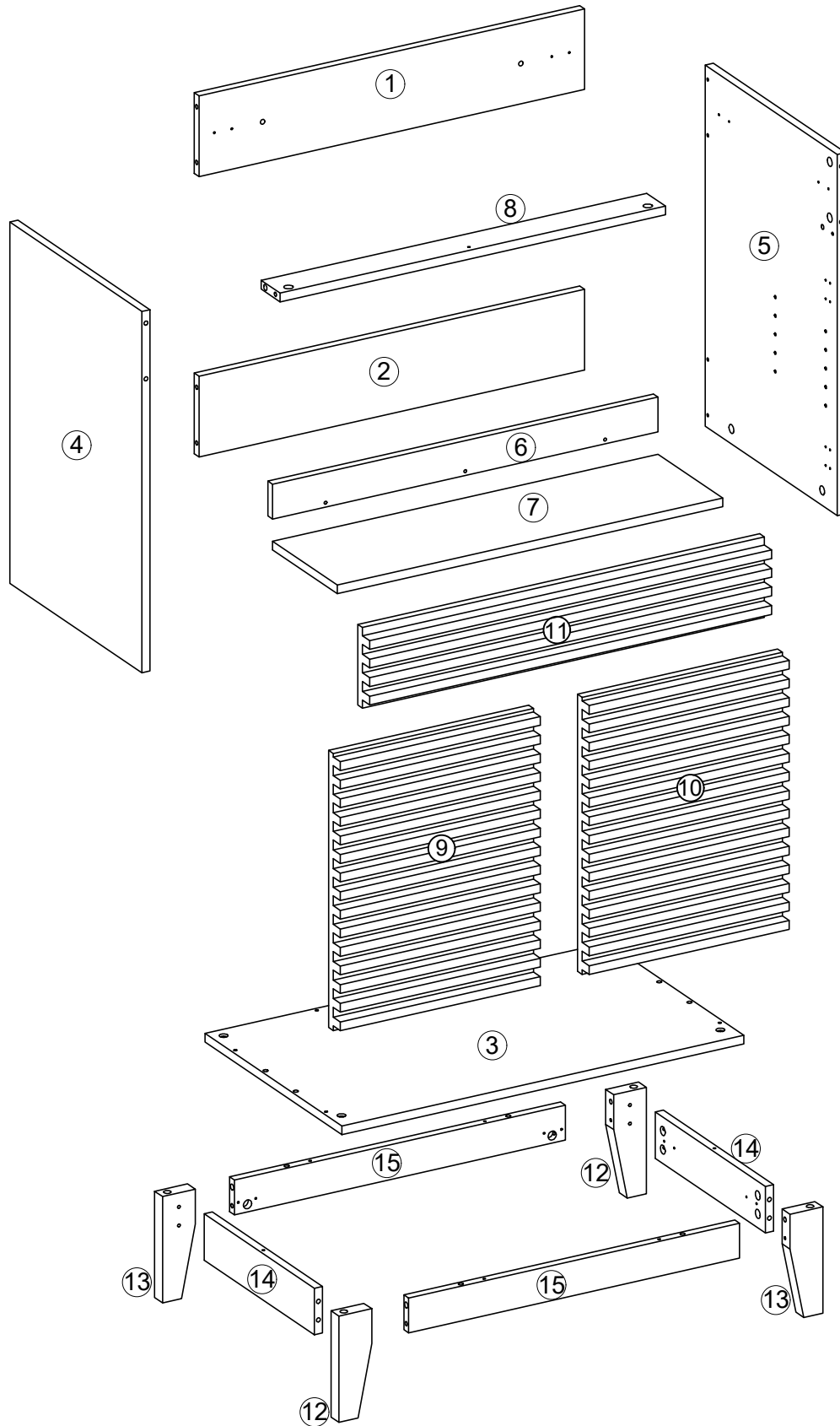

Bathroom Cabinet

Instruction Manual



Parts List



Tool Required:

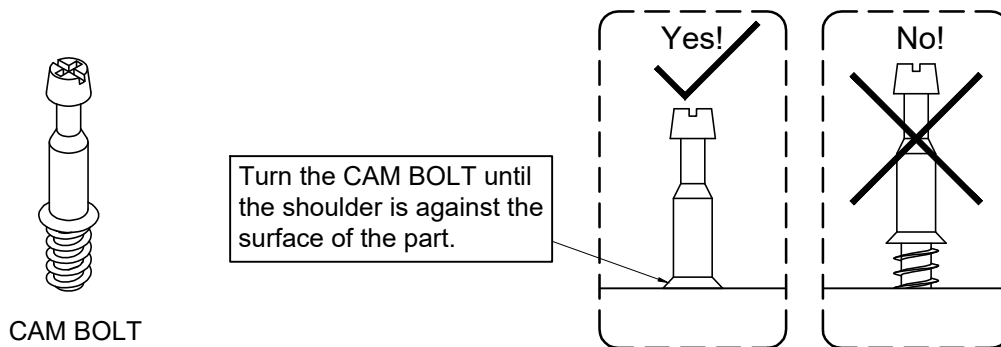
Screwdriver (not included)



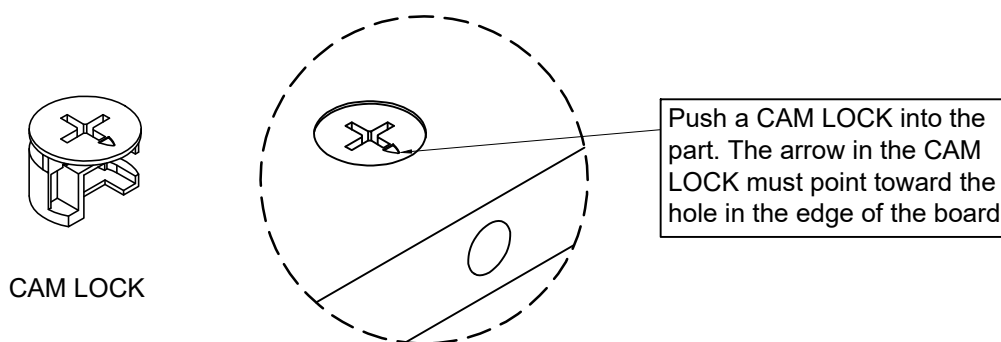
Hardware Usage Guide

HOW TO USE A CAM LOCK & CAM BOLT OR CAM DOWEL?

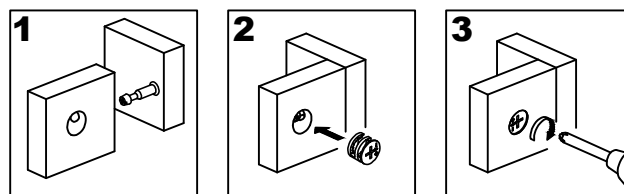
1. NOTE: CAM BOLT or a CAM LOCK may be used.



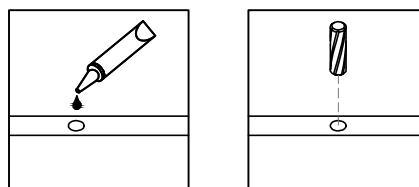
2.



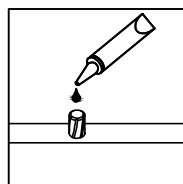
3. Insert the CAM BOLT into the CAM LOCK. Tighten the CAM LOCK.



4. The provided glue is to secure wood dowels in place. When first inserting dowels, locate the appropriate hole for the dowel, place a small amount of glue in the hole and insert the dowel. Wipe away excess glue immediately.


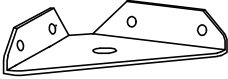
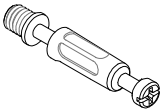
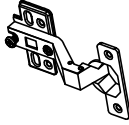
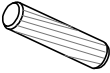
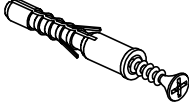

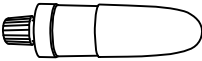
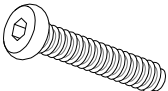

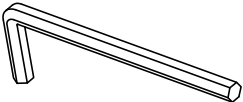
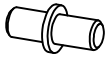


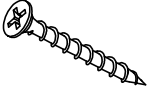


In future assembly steps when dowels are necessary to attach assembly parts together, place a small amount of glue on the end of the dowel before attaching parts together. Wipe away excess glue immediately.



Hardware List

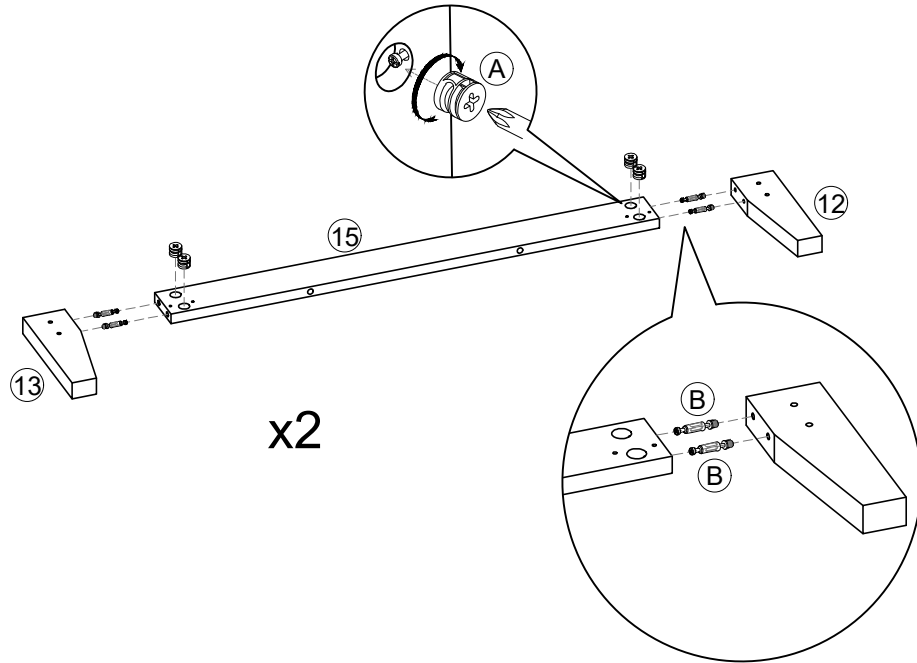
- Carefully remove all the parts from the carton and place them individually on a soft cloth to prevent scratches or other damage.
- Carefully and strictly follow these assembly&installation instructions to ensure a completed product as designed.
- Do not tighten all the screws until each part is properly assembled.

Item No.	Reference Image	Qty.	Item No.	Reference Image	Qty.
Ⓐ	 Cam lock Ø15x11mm	x39	Ⓘ	 Bracket	x8
Ⓑ	 Cam bolt Ø7x32mm	x39	Ⓙ	 Hinge	x4
Ⓒ	 Wood dowel Ø8x40mm	x12	Ⓚ	 Plastic anchor (8*30mm) with screw (4*50mm)	2 set
Ⓓ	 Shelf support	x4	Ⓛ	 Glue	x1
Ⓔ	 Bolt Ø8mm	x4	Ⓜ	 L bracket	x1
Ⓕ	 Allen key (M5)	x1	Ⓝ	 Shelf pin	x2
Ⓖ	 Screw Ø4x16mm	x58	Ⓞ	 Sticker	x39
Ⓗ	 Screw Ø4x35mm	x6			

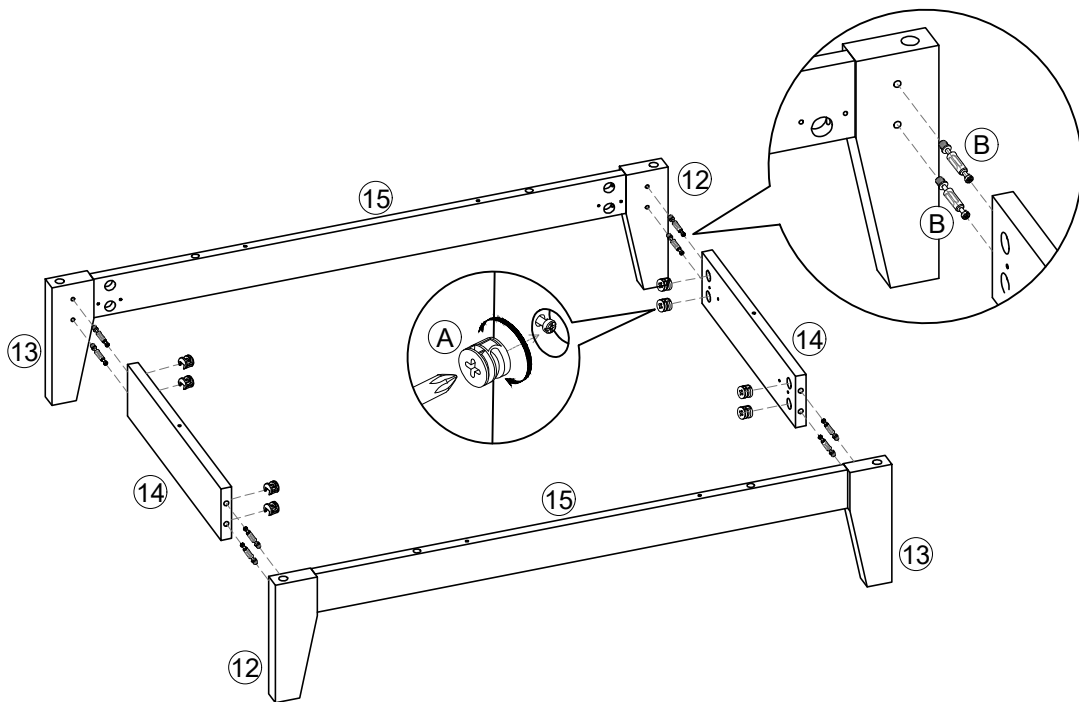
Step 1

 A x 8

 B x 8





Step 2

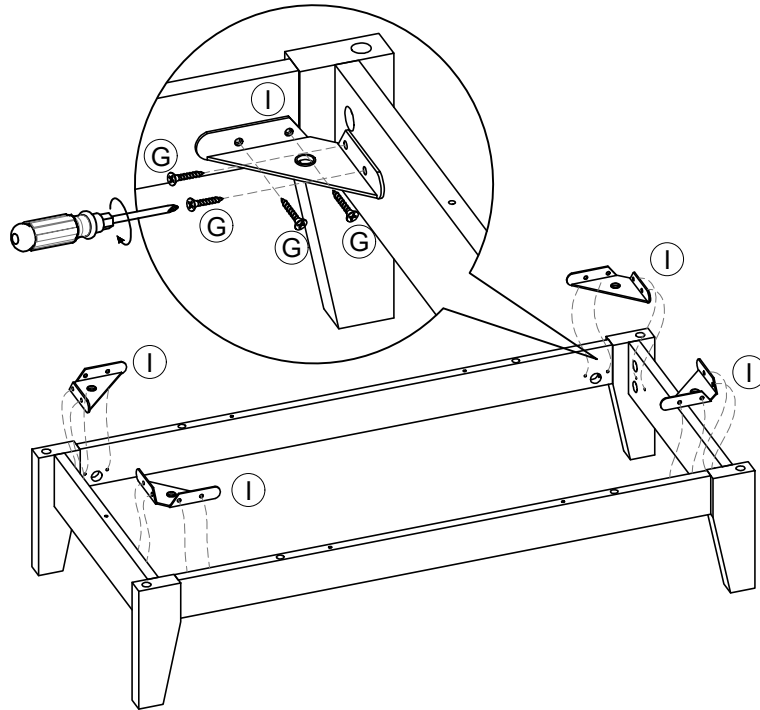


 A x 8

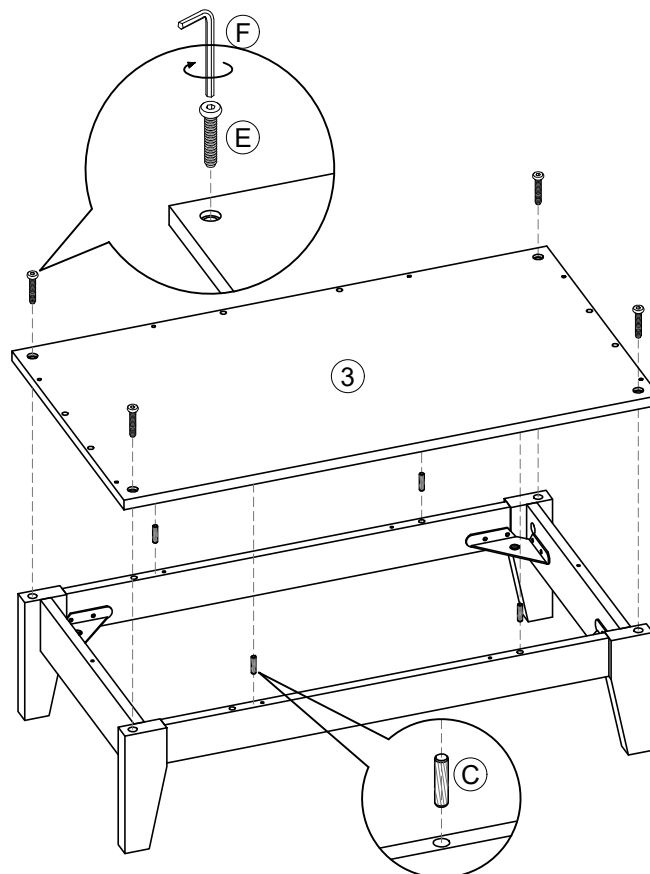
 B x 8




Step 3

-  I x 4
-  G x 16

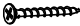


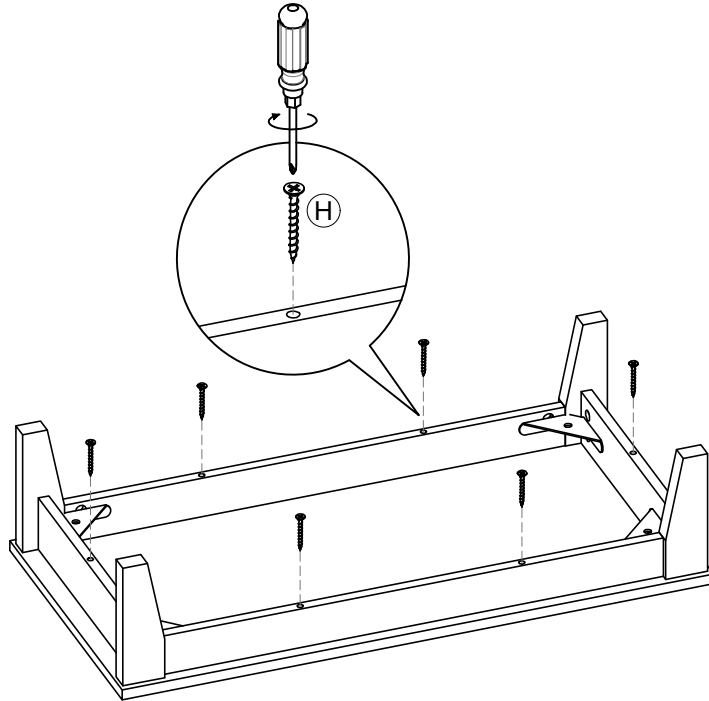
Step 4



-  C x 4
-  E x 4
-  F x 1

Step 5

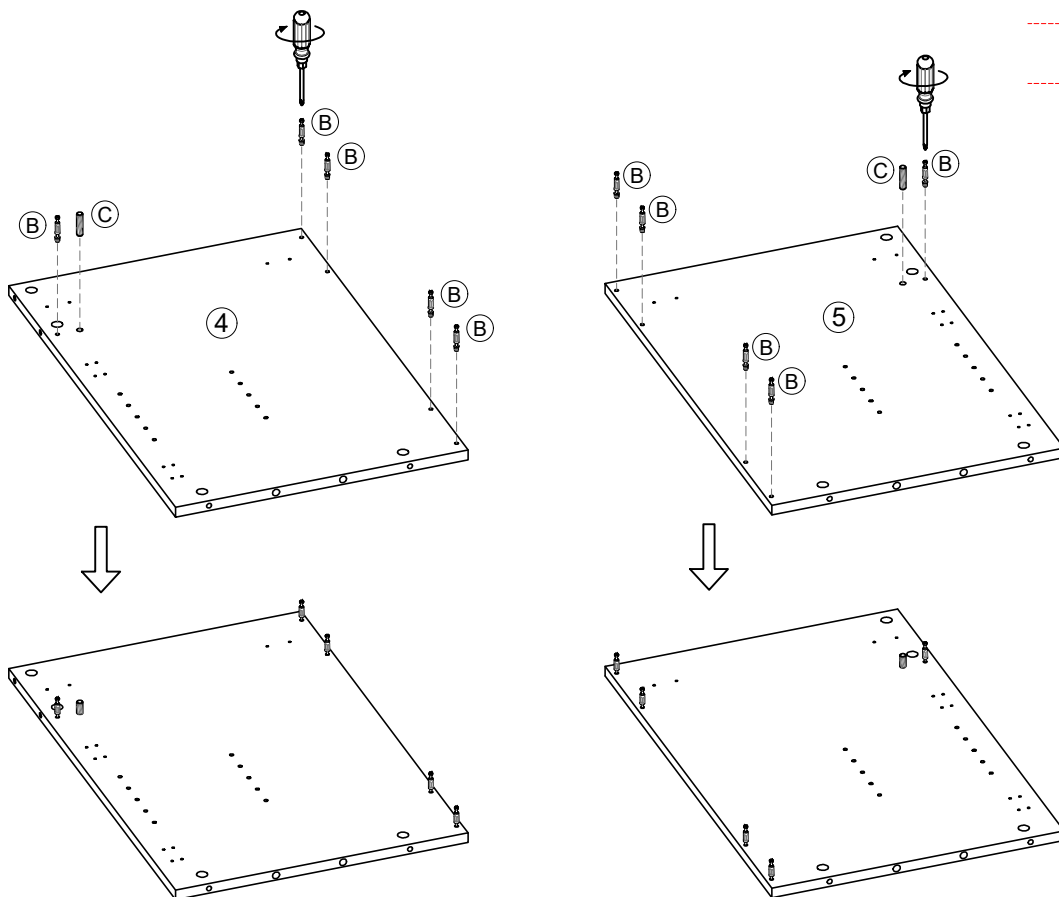
 H x 6



Step 6

 C x 2

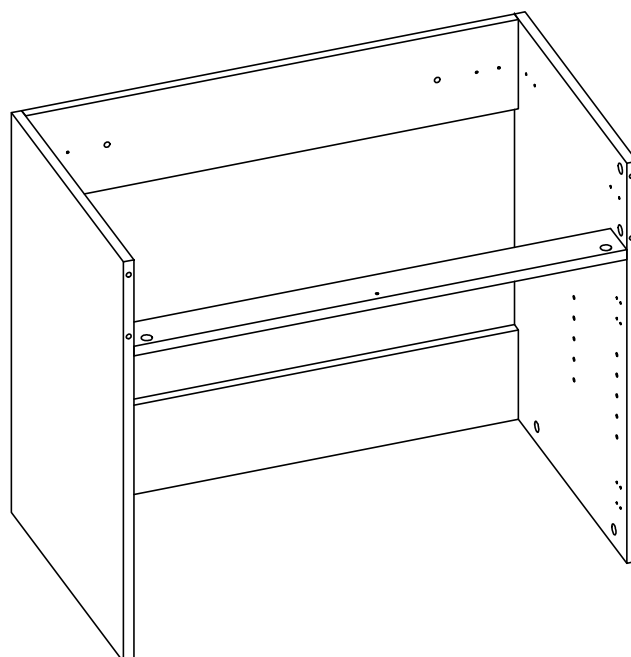
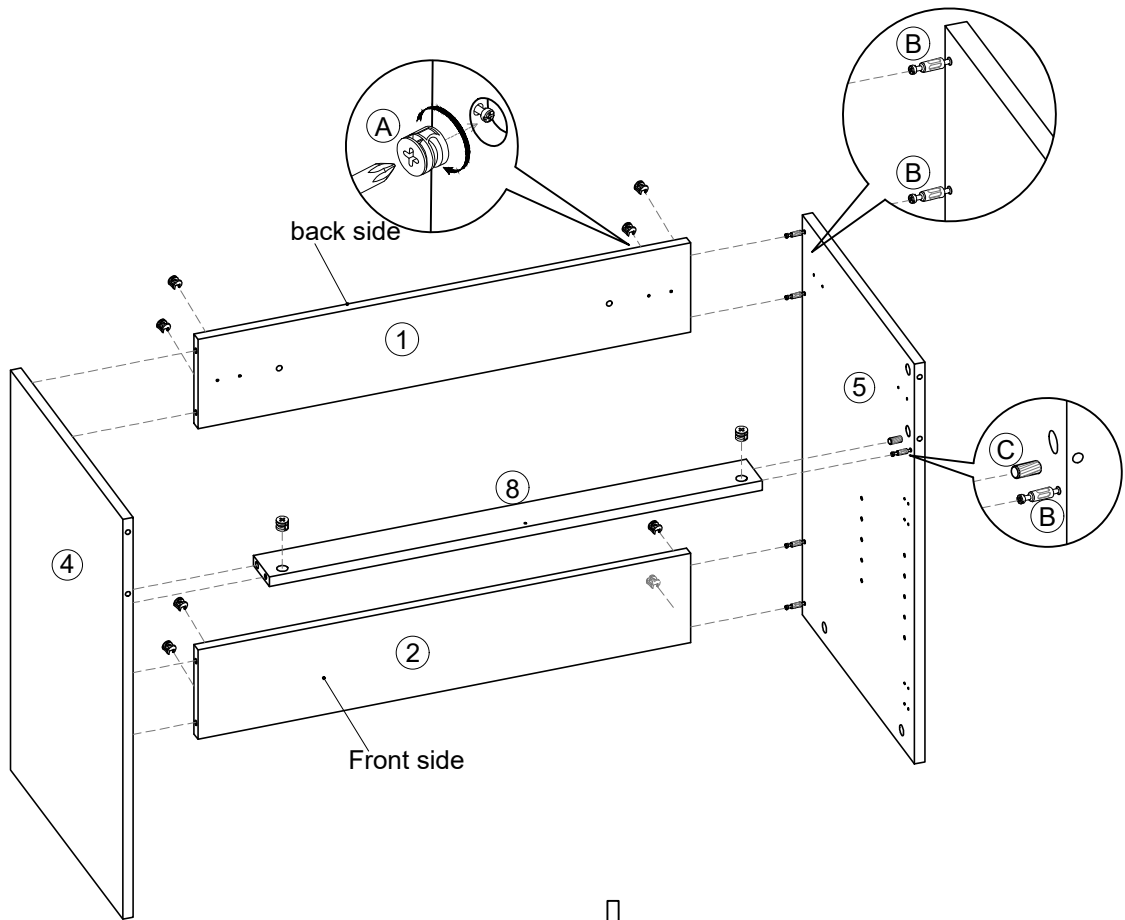
 B x 10






Step 7

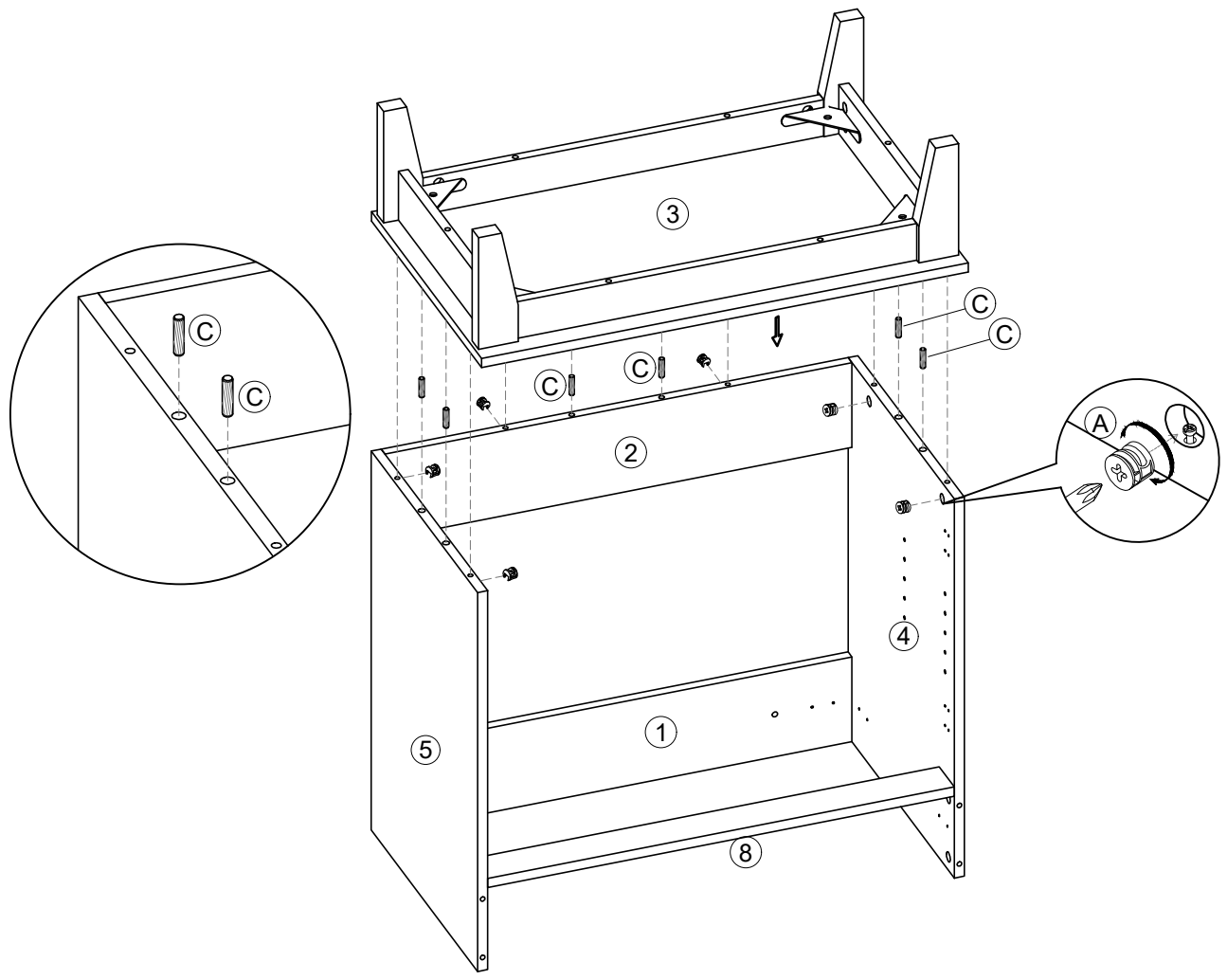
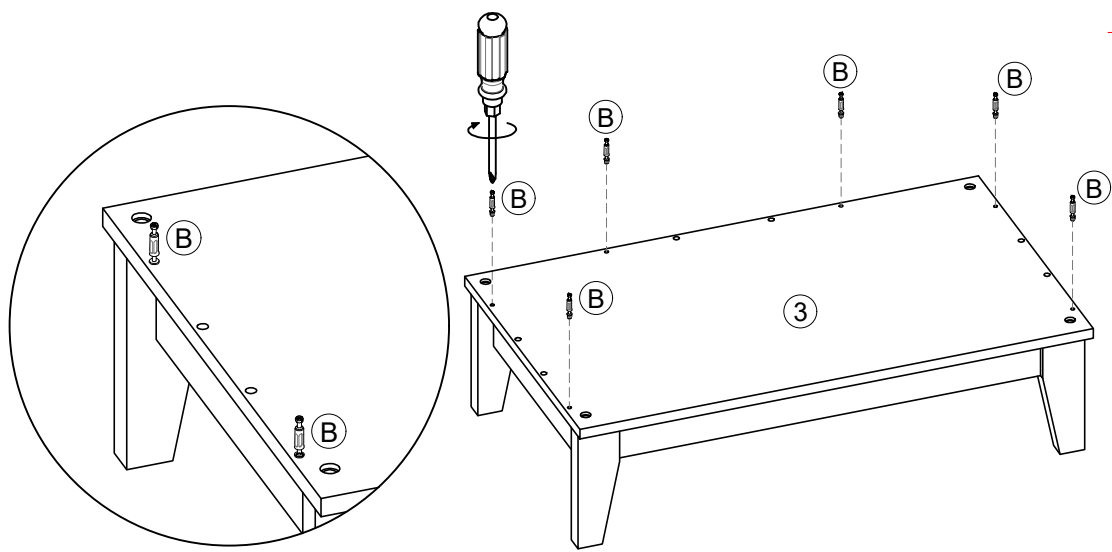


A x 10

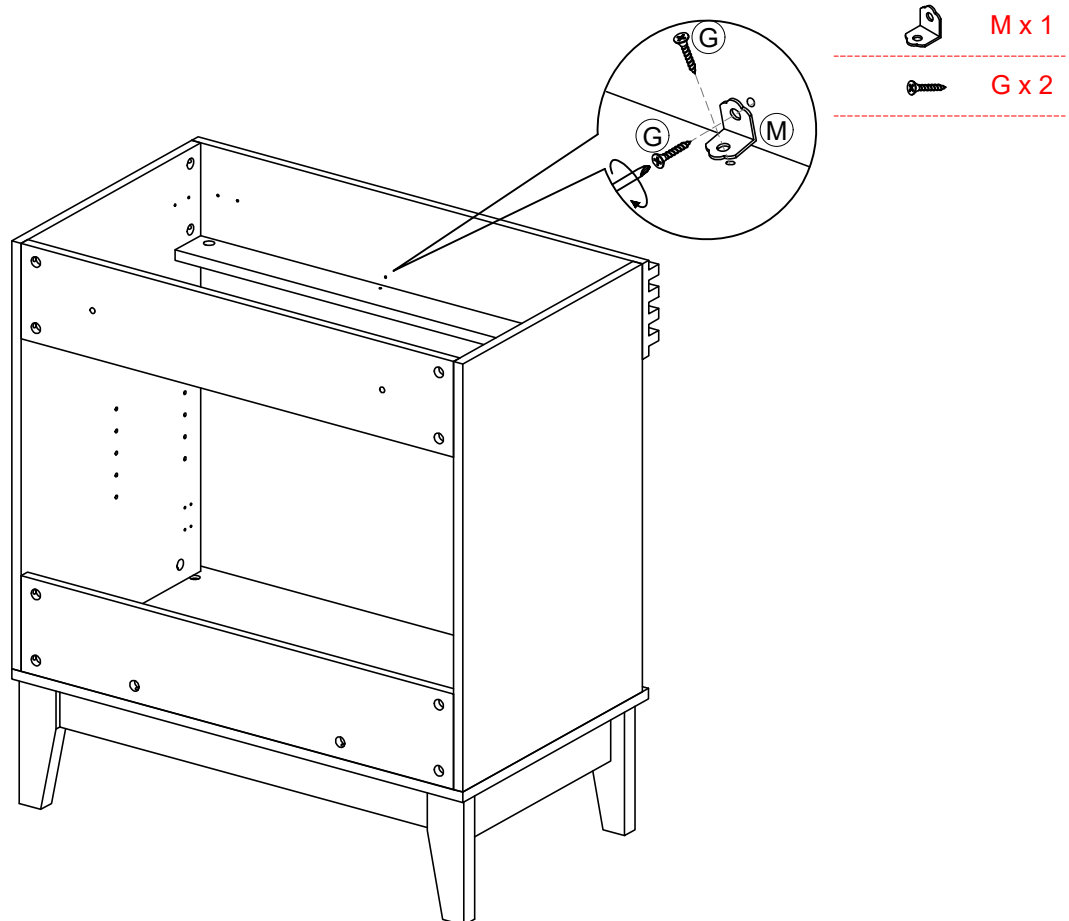
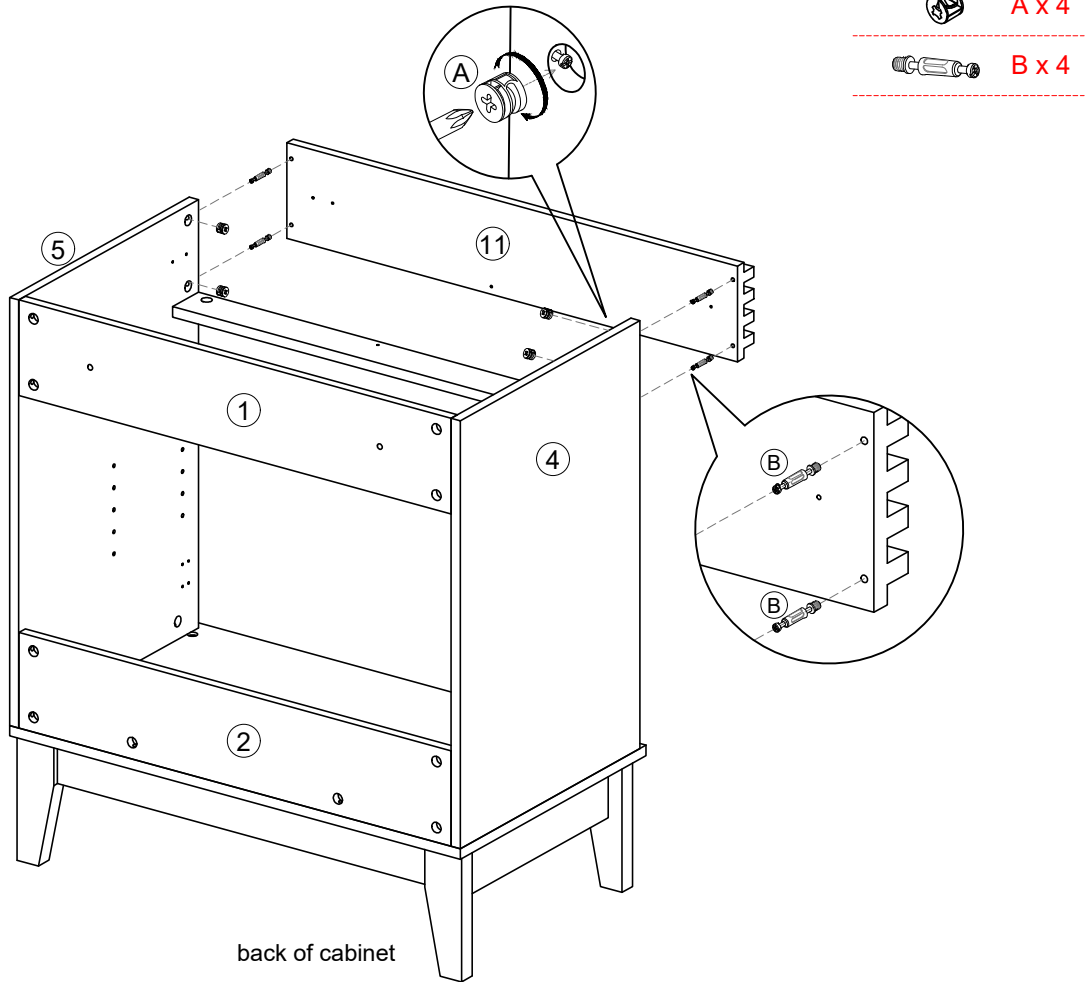


Step 8

-  A x 6
-  B x 6
-  C x 6



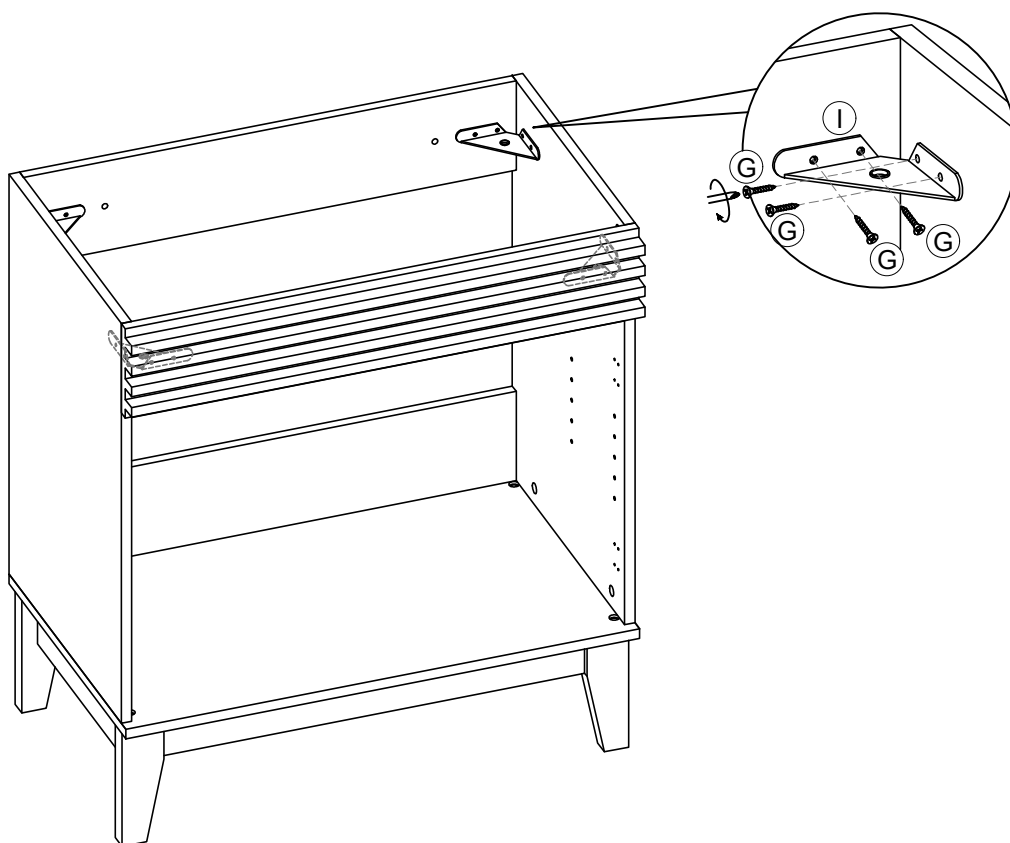
Step 9



Step 10

 I x 4

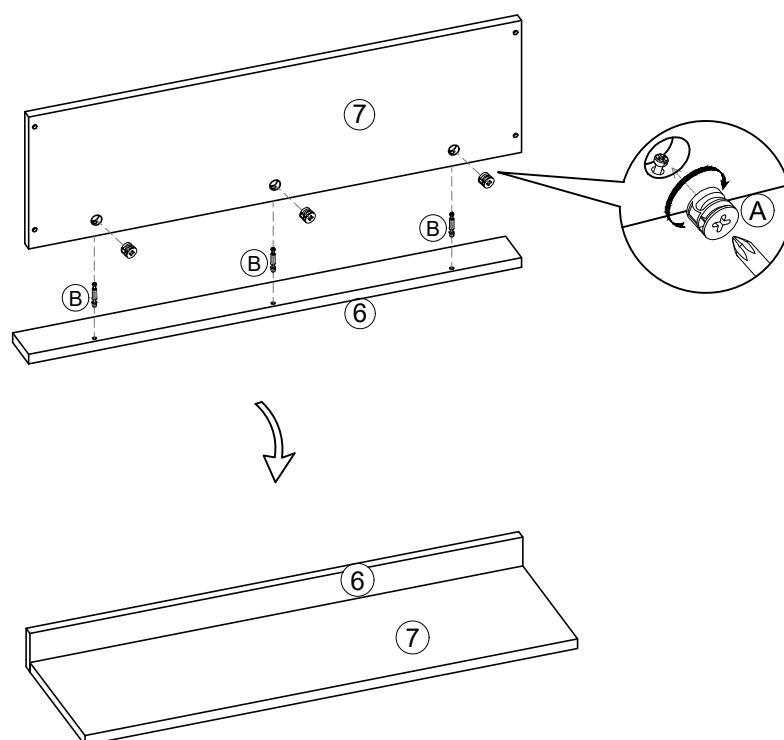
 G x 16



Step 11

 A x 3

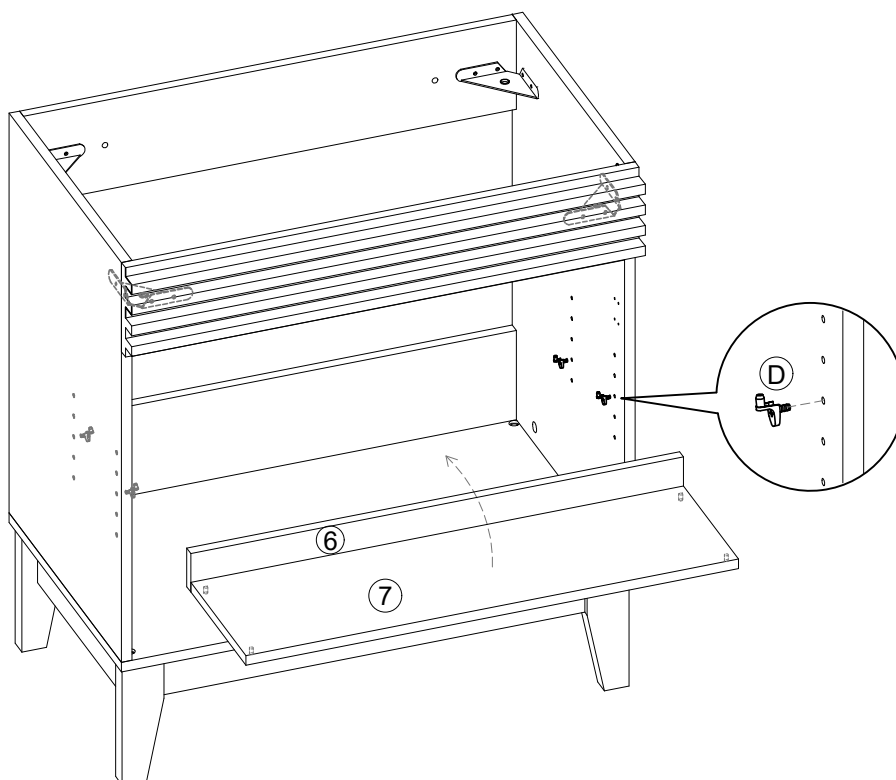
 B x 3



Step 12



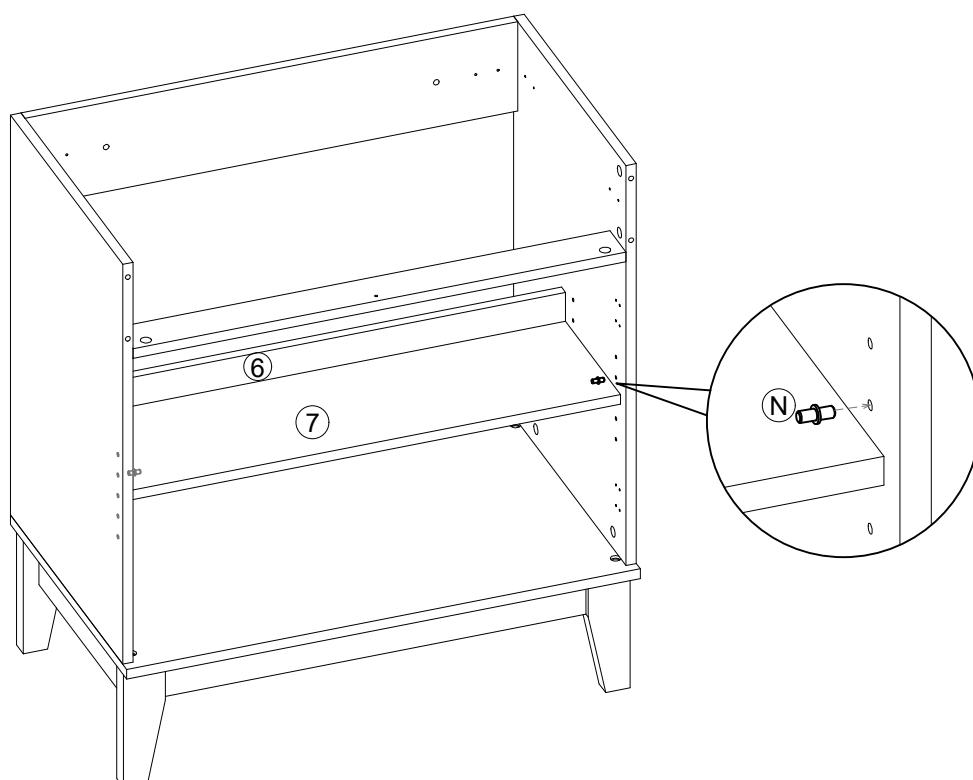
D x 4



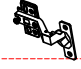

Step 13

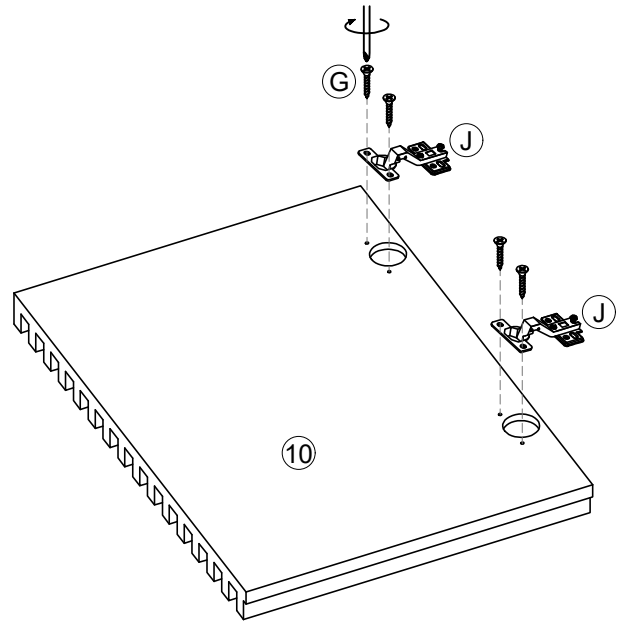
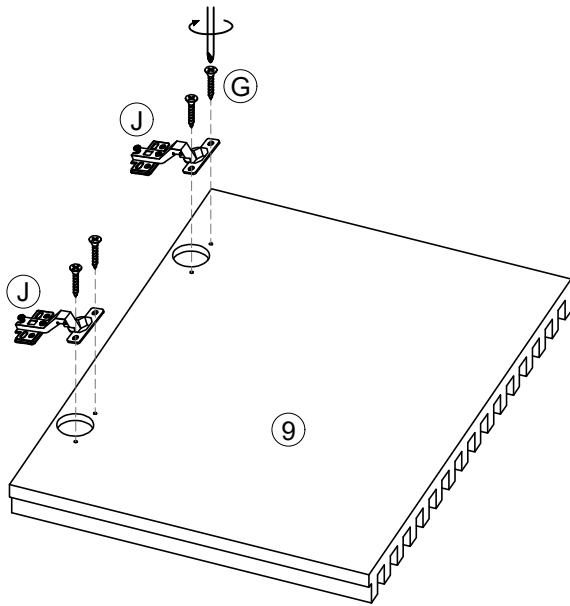


N x 2




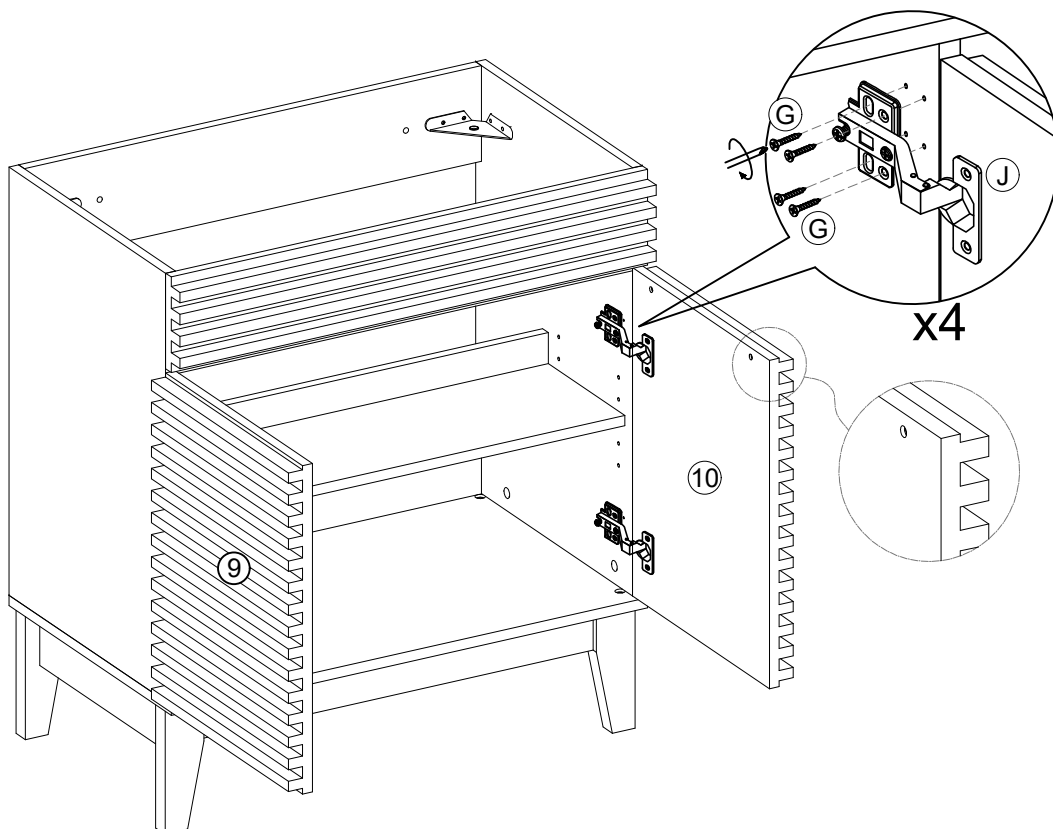
Step 14

-  J x 4
-  G x 8



Step 15

-  G x 16

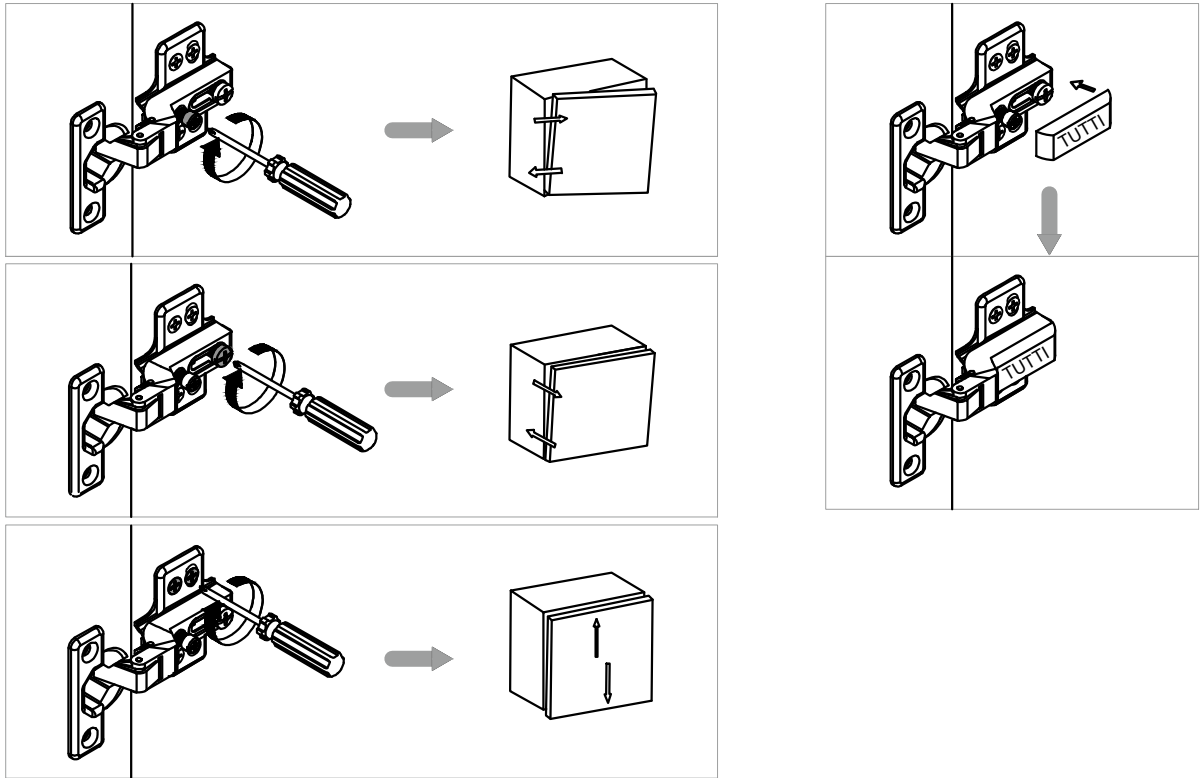


Step 16

OPTIONAL DOOR ADJUSTMENT

The cabinet doors have a three-way adjustment feature. Height, side-to-side, level and depth can be adjusted. With the hinge slightly closed you can access the middle screw for up/down adjustment. With the hinge fully extended you can access the front and back screws. These screws will move the door side to side and in & out.

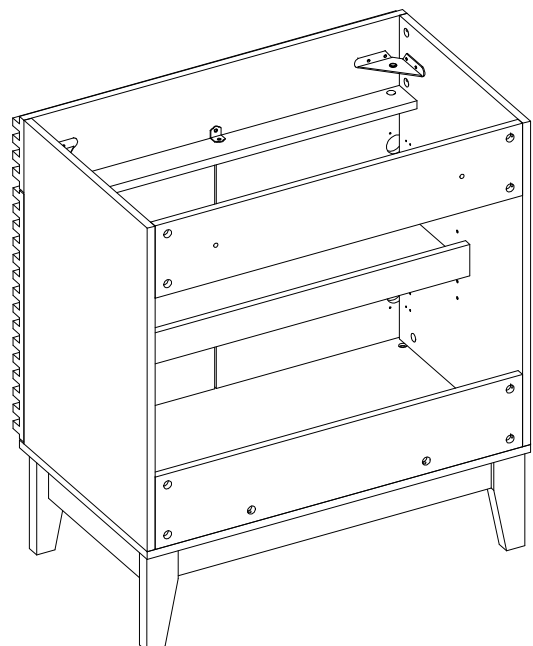
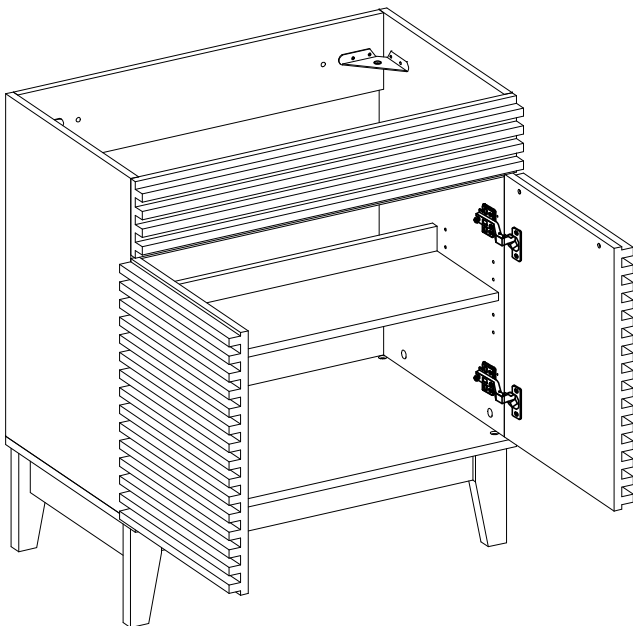
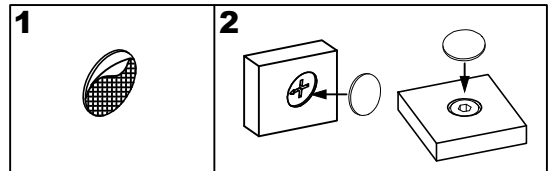
After adjusting, put the cover over the hinge as shown.



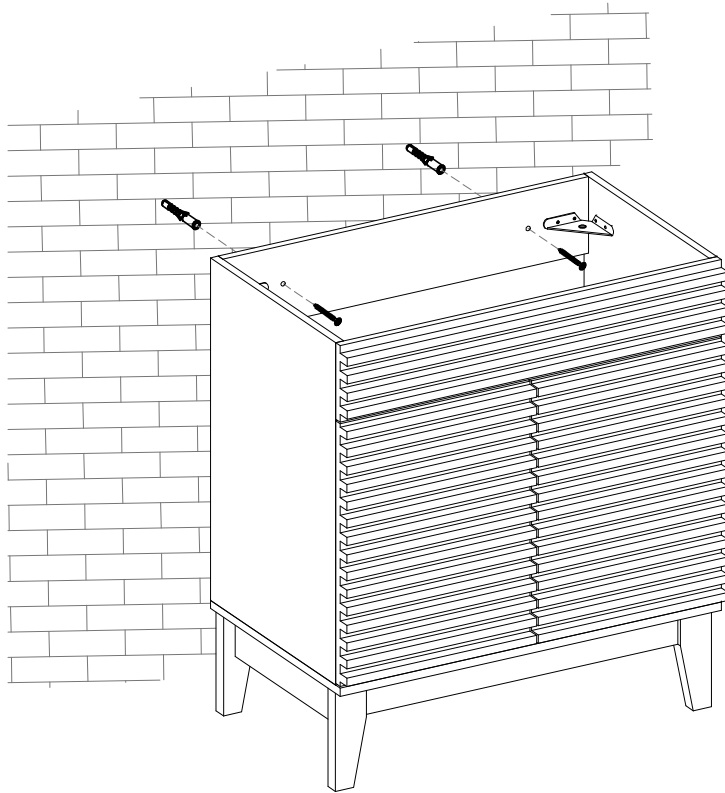
Step 17

Remove the the protective layer of sticker, then use it to cover all cam-lock holes & bolt holes that you can see.

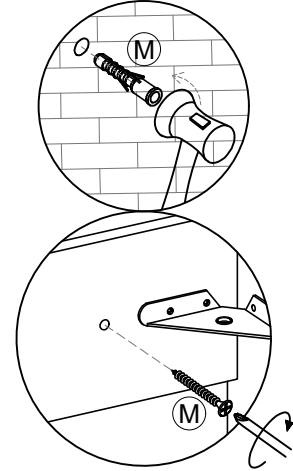
 O x 36



Step 18



DETAIL HOLE FOR WALL FIXING
Note: hammer is not included.



AFTER-SALES SERVICE CARD

We sincerely thank you for trusting our service and our products, and may this product add enrichment to your home. We guarantee that the product has undergone strict quality inspection and meticulous packaging. If you encounter any issue regarding either shipping or the product, please feel free to contact us at any time. We'd be more than happy to serve you wholeheartedly.
Yours Sincerely.

- Please avoid harsh, corrosive and abrasive cleaners.