

LED CEILING FAN

Installation & Troubleshooting Manual

CAUTION

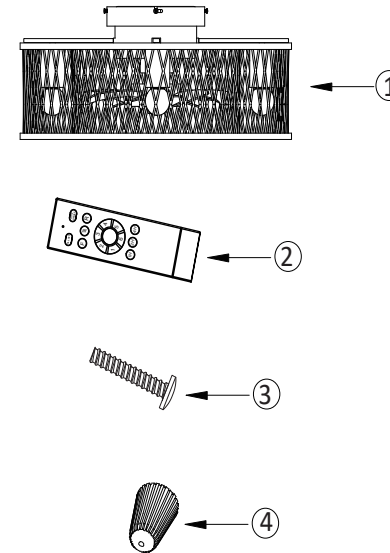
Read Instructions Carefully for Safe Installation and Fan Operation.

Safety Rules

To avoid the risk of electric shock, personal injury or fire, please carefully follow the rules bellowed:

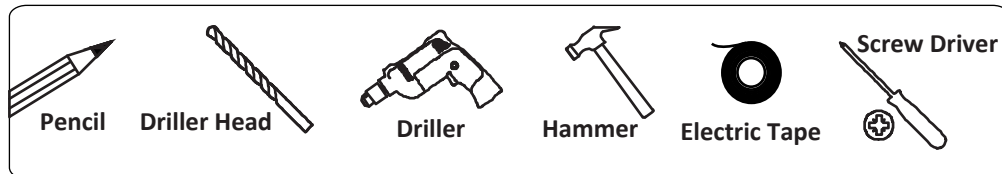
1. Turn off the electricity to the fan at the main fuse box or circuit panel at the beginning.
2. All wiring must be in accordance with the local electrical codes or National Electrical Code.
3. Please use gloves when handling fan parts which have sharp edges.
4. Made sure the site you choose to install have enough space for the blades to rotate, meaning that at least 7 feet (2.13 meters) from the floor to the fan blades, 18 inches(45.72 centimeters) from the end of the blade to wall or other upright structures.
5. Please only mount the fan to an outlet box which marked acceptable for the fan and use mounting screws which compatible with the outlet box.
6. The outlet box and ceiling support structure must be securely mounted and capable of supporting at least 45KGs.
7. Be cautions when working around or cleaning the fan
8. Do not clean the fan or fan blades with water or detergents. A dry cloth or lightly dampened cloth with be recommended
9. After making electrical connections, spliced conductors should be turned upward and pushed carefully up into the outlet box. The wires should be spread apart with the grounded conductor and the equipment-grounding conductor on one side of the outlet box.
10. Electrical diagrams are for reference only.
11. The fan is only for indoor use.

Package Content



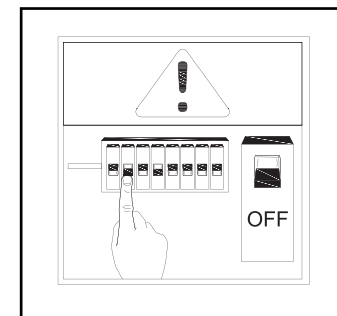
- ① Fan Module x1
- ② Remote x1
- ③ American gauge screw x4
- ④ Wire Nuts x3

Tools Required

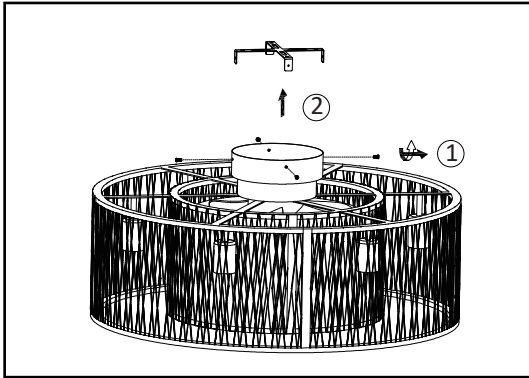


Install Mounting Bracket

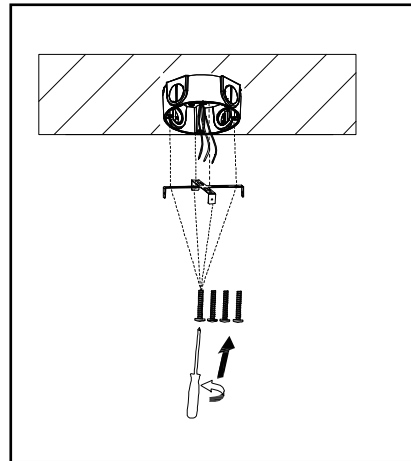
To Prevent Personal Injury and Damage, Ensure That the Hanging Location Allows the Blade a Clearance of 7 Feet(2.13Meters) From the Floor and 18 Inches(45.72 Centimeters)From any Wall or Obstruction.



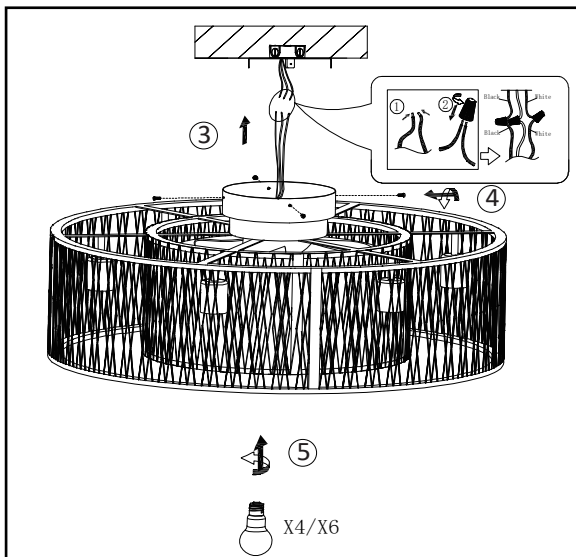
1. Turn Power OFF From the Electrical Fan Light Before Installation.



2. Loosen the screws and separate the mounting bracket from the lamp body



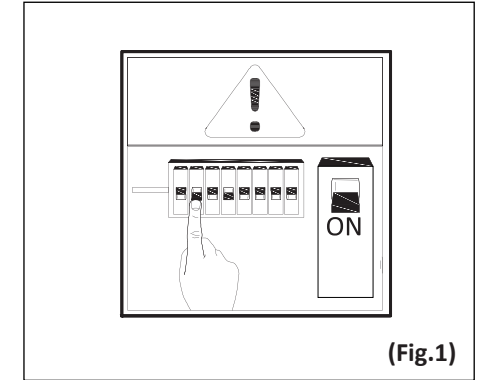
3. Secure the mounting support to the junction box bodybody



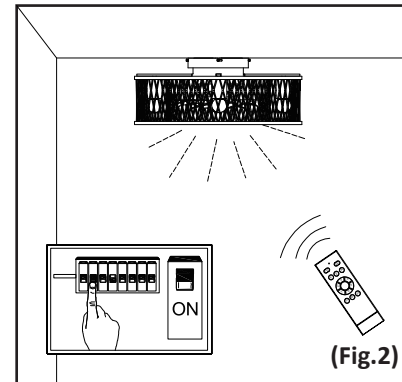
4. Connect the indoor cable to the remote receiver, as shown on the left, using the By wire nut (included), and then install the bulb

Be sure to check and confirm that the whole installation process conforms to the specifications shown in the instruction manual, and strictly follow the instructions to ins-tall and connect cables. Then power on using the remote control using the fan lamp

1. Switch on.



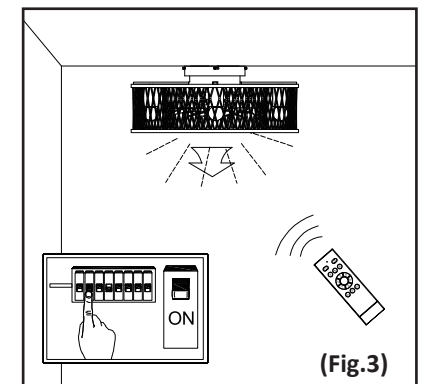
(Fig.1)



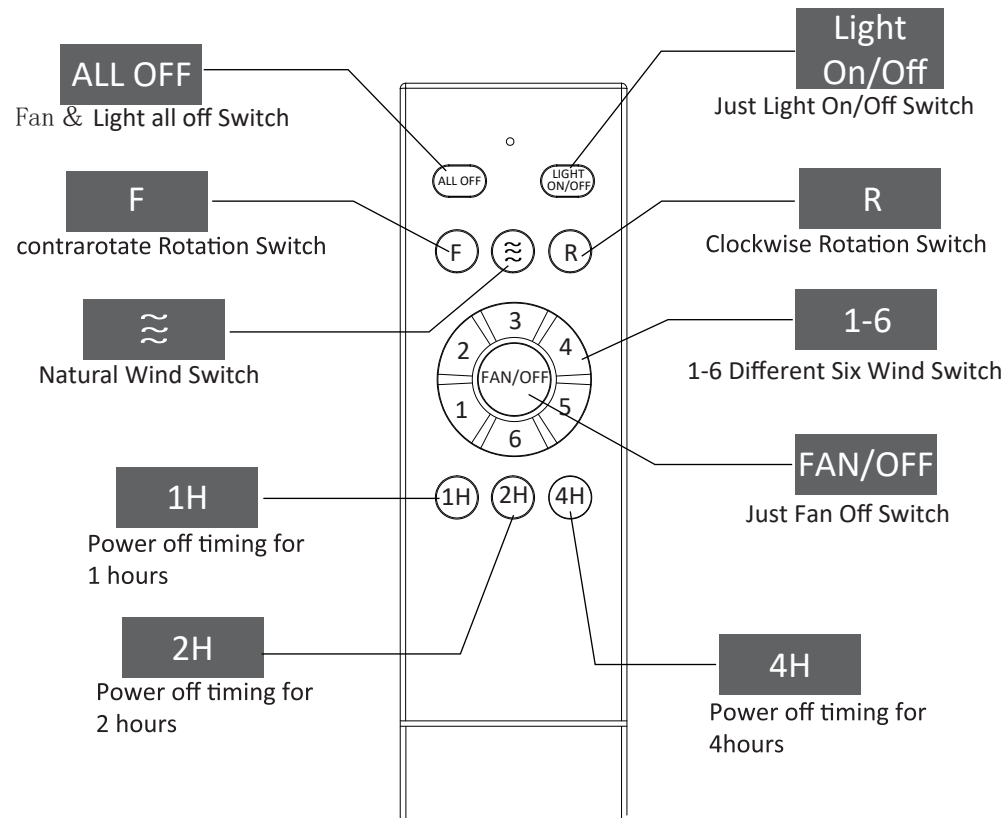
(Fig.2)

2. Control Light With Remote.

3. Control Fan With Remote.



(Fig.3)



If you have difficulty operating your new ceiling fan, it may be the result of incorrect assembly, or wiring. In some cases, these installation errors may be regarded as defects of the LED ceiling fan. If you experience any faults, please check this Trouble Shooting Guide. If problem cannot be solved, please consult with your authorized electrician and please feel free to contact us.

Before:

1. This is LED ceiling fan, DO NOT install any dimmer switch for this.
3. Check circuit fuses or breakers and make sure the battery is installed correctly.
4. Check line wire connections to the fan and switch wire connections in the switch housing.

CAUTION: Make sure main power is off.

Problem: Fan doesn't work

- Make sure power switch is on.
- Check the circuit breaker to ensure the power is turned on.
- Make sure the blades spin freely.
- Turn off power from the circuit breaker, then loosen the canopy and check all the connections according to the wiring diagram.

Problem: Excessive Wobbling

- Make sure the blades are properly installed on the blade iron posts.
- Turn the power off, support the fan carefully, and check that the hanger ball is properly seated.
- Use the provided balancing kit and instructions to balance the fan.

Problem: Noisy Operation

- Make sure that the Housing Voltage and Frequency is 120V/60Hz.
- Carefully check if the motor has scrap iron.

Problem: Remote Control of Fan is Erratic

- Make sure the battery is installed correctly.
- Install a fresh battery.