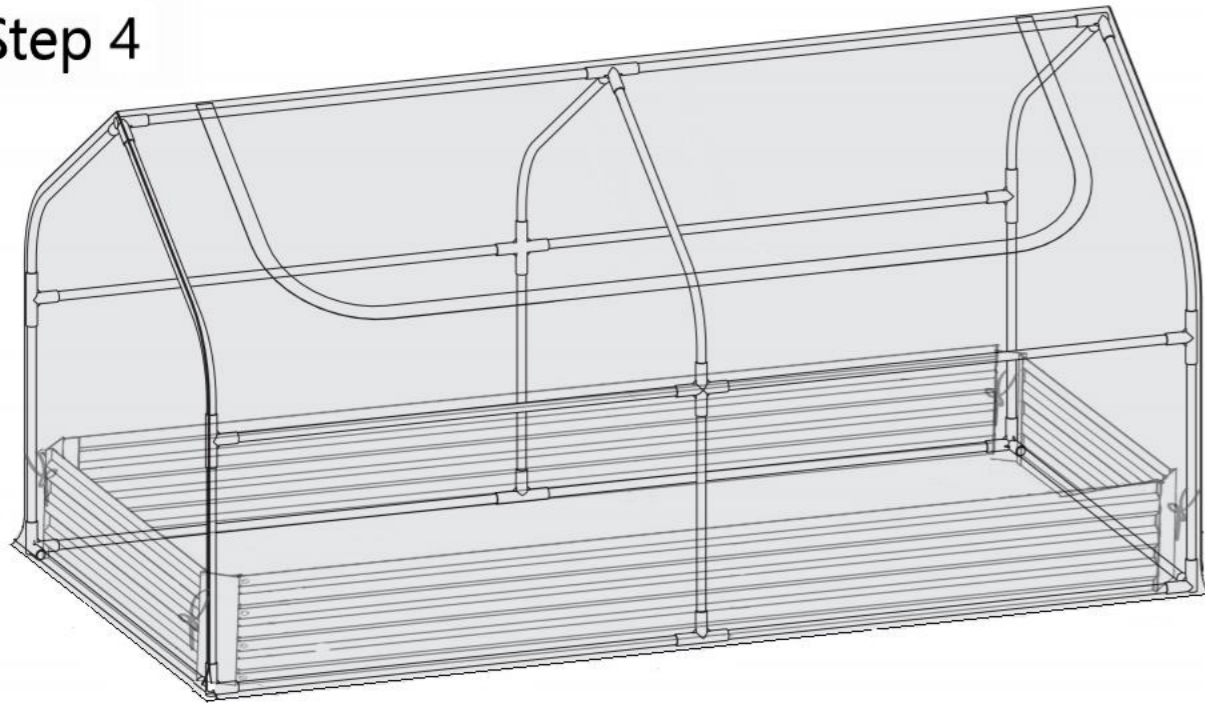


Assembly

Step 4:

Carefully place the greenhouse over the garden bed.

Step 4












Tips:

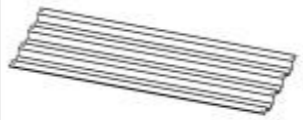
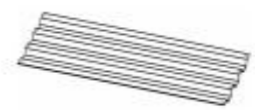




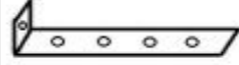



*If you have any questions about installing the product, you can email us and we will provide you with a video.

*If the panels are bent or distorted during transportation, they can be restored to their original shape by tapping with a rubber mallet.

INSTRUCTION MANUAL

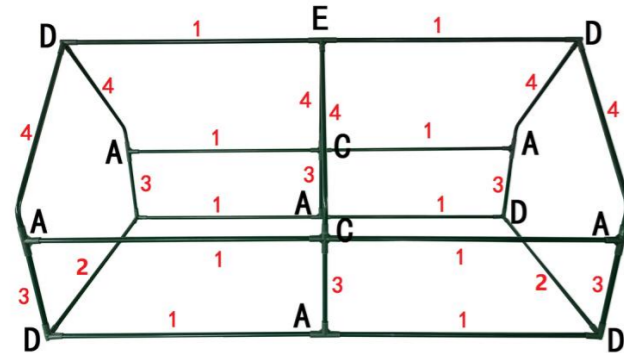
Product Configuration

A		6pc	1		10pc
C		2pc	2		2pc
D		6pc	3		6pc
E		1pc	4		6pc
			5		1pc

F  Long Panels 4pcs	G  Short Panels 2pcs	H  Corner connector 4pcs
I +1(spare)  M5X10 Screw 40pcs	J +1(spare)  M5 Nut 40pcs	K  Spike 2pcs
L  L Bracket 2pcs	M  Wrench 1pc	N  Wrench 1pc
	O  Gloves 1pc	

Assembly

Step 1



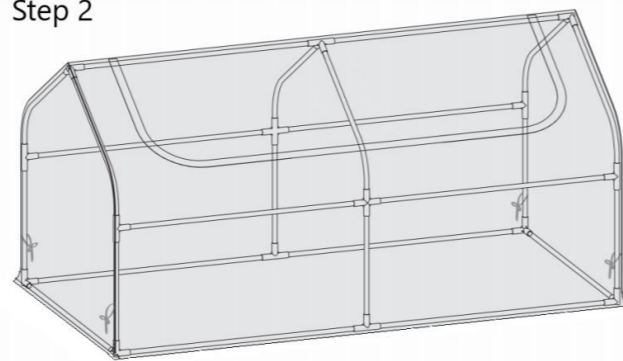
Step1:

Assemble the complete shelf according to the markings on the diagram.

Step 2:

Carefully slide the cover over the constructed frame. And tied it to the iron pipe with the rope that came with the shed.

Step 2



2

Assembly

Step 3:

【1】 : Attach two part H brackets to one part G end panel with part-I screws, and secure with part- J nuts.

Repeat to assemble the other end.

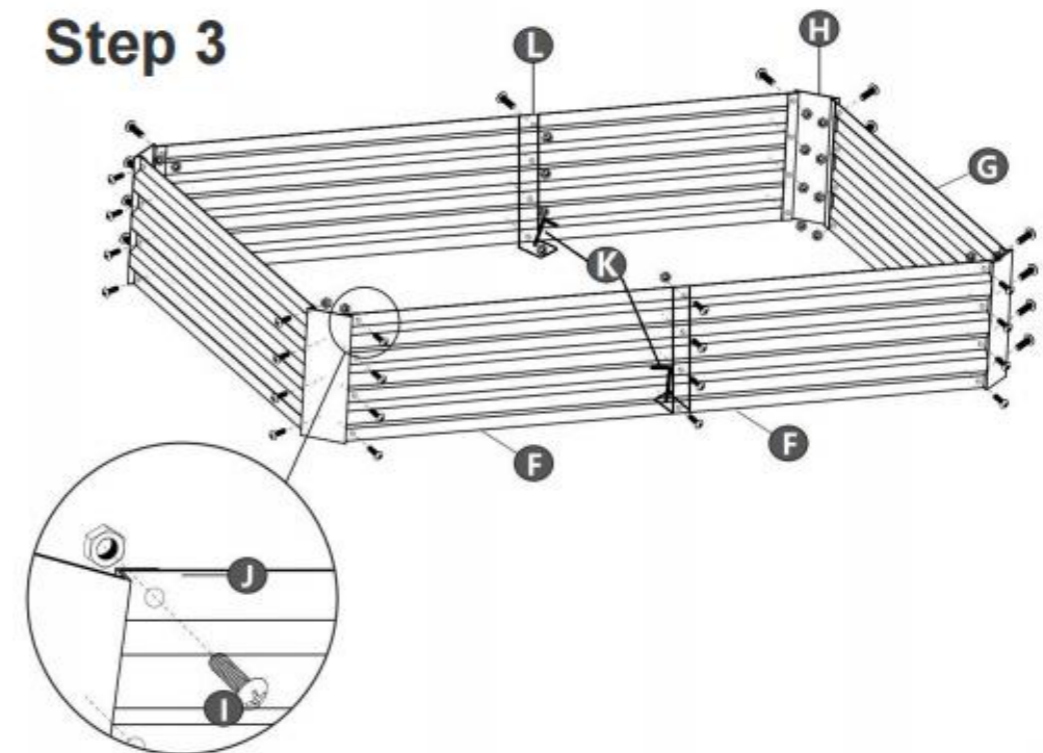
【2】 : Attach two part F side panels to two-part H bracket assemblies with part-I screws, and secure with part- J nuts.

Repeat to assemble the other end.

【3】 : Repeat the above 2 steps to assemble the other half of the Galvanized Raised Garden Bed.

【4】 : Attach the two-part L bracing rods with part-I screws and part-J nuts. Secure the brackets with part-K ground stakes. One stake per bracket.

Step 3



3