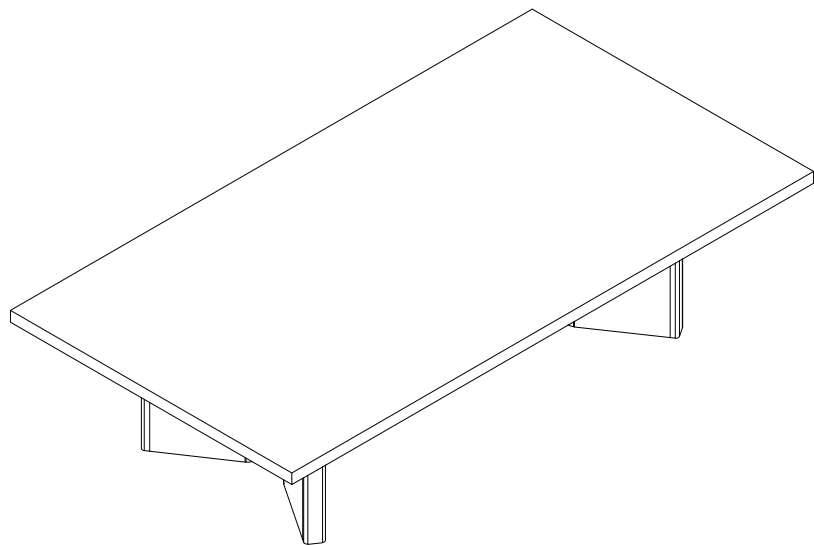






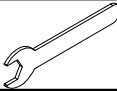
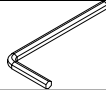


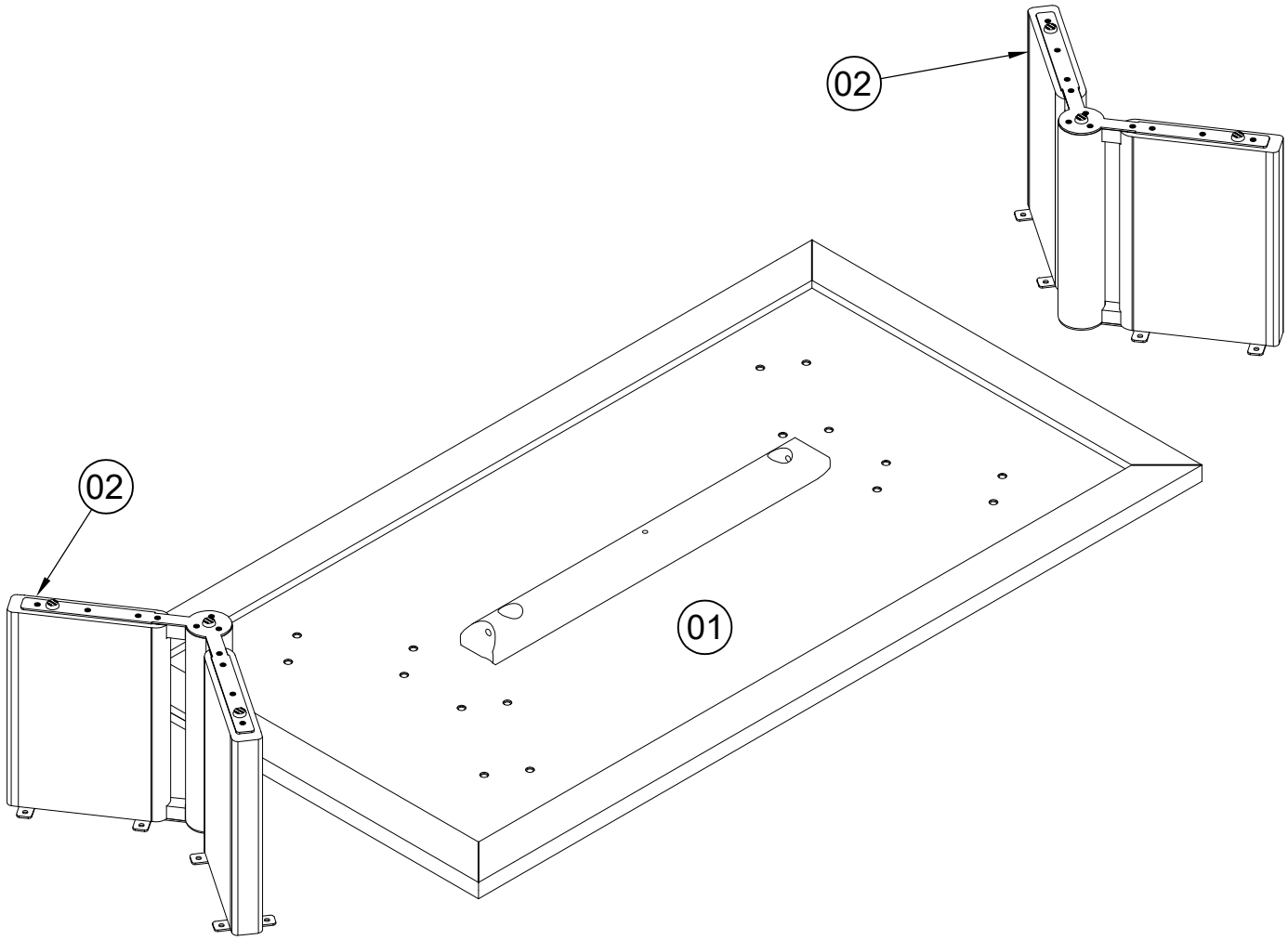
ASSEMBLY INSTRUCTION FOR

COFFEE TABLE

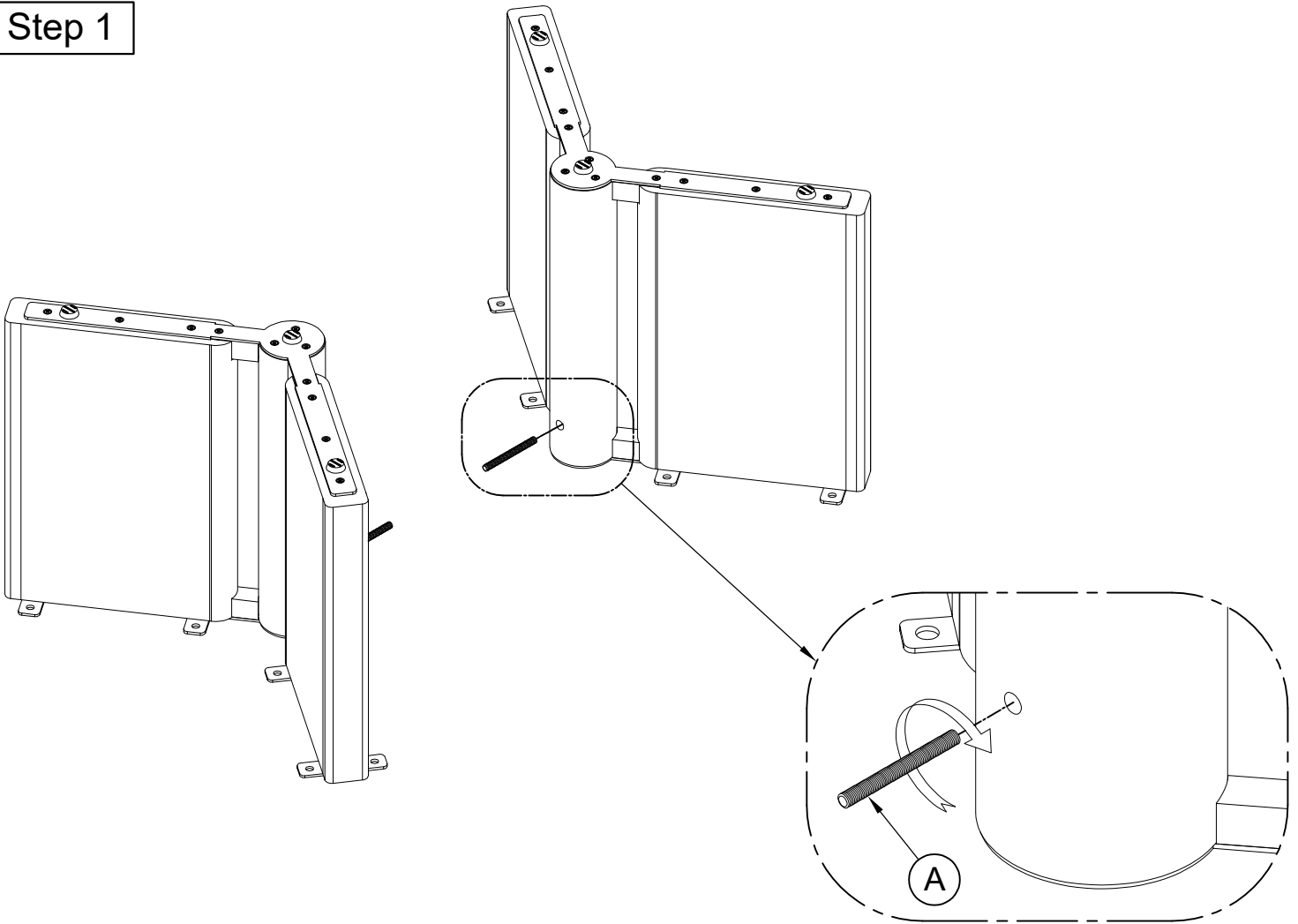


Hardware List

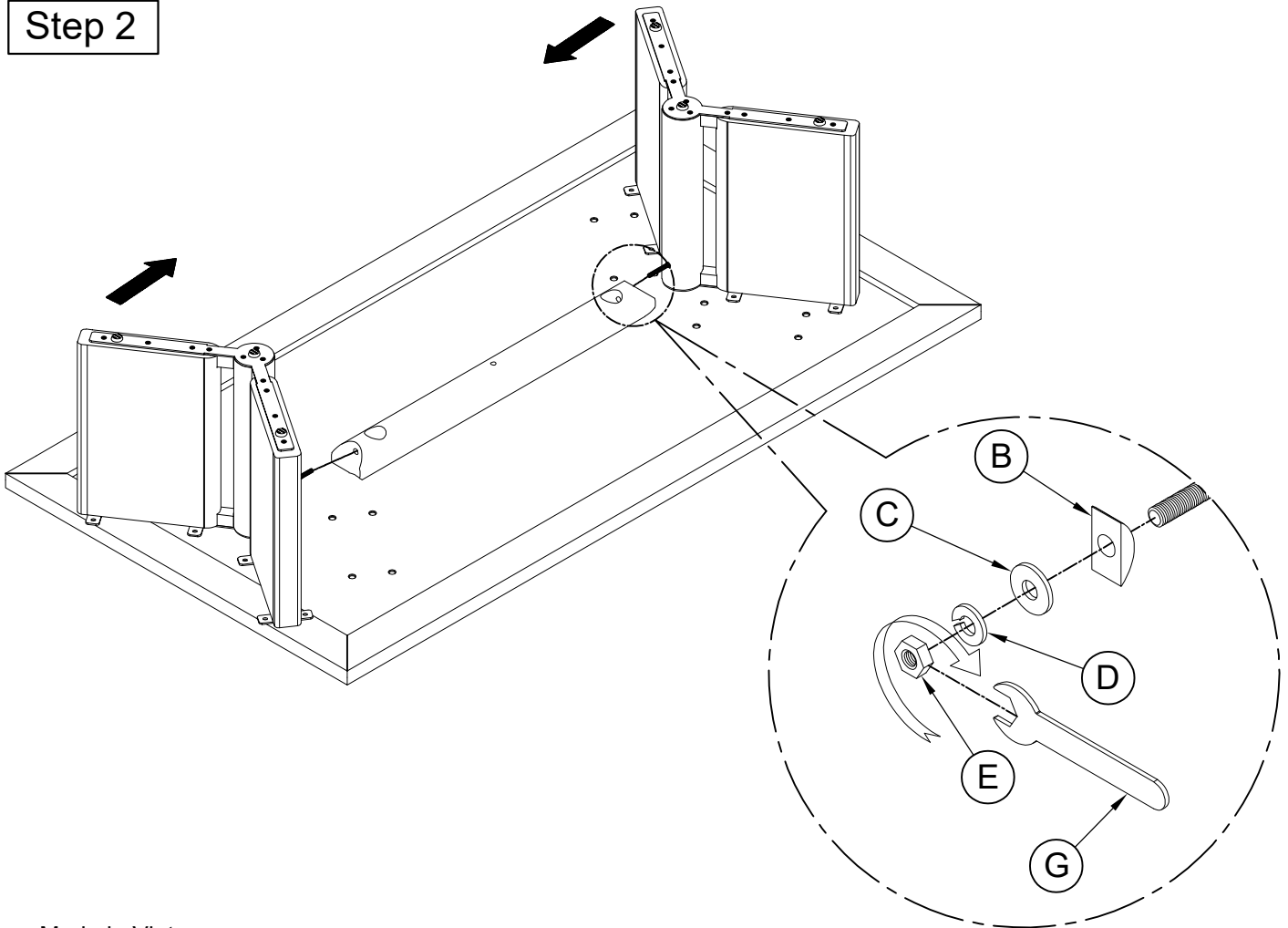
A		Headless Bolt	8x80mm	2
B		Half moon	Ø8	2
C		Flat Washer	Ø8	18
D		Spring Washer	Ø8	18
E		Hex Nut	M8	2
F		Bolt	8x20mm	16
G		Wrench	13mm	1
H		Allen Key	5mm	1



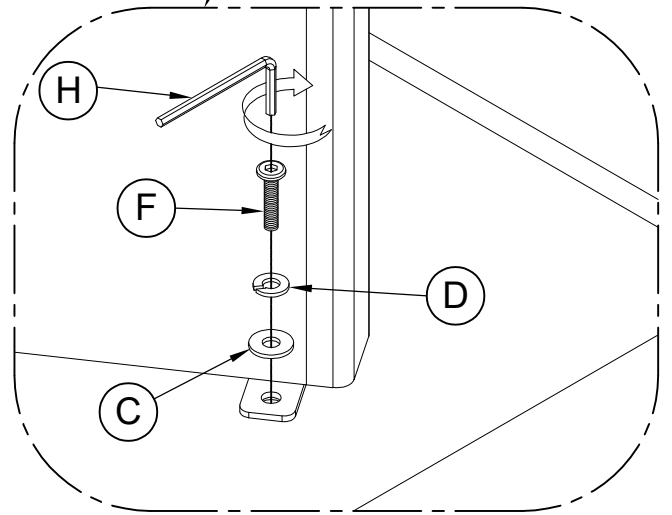
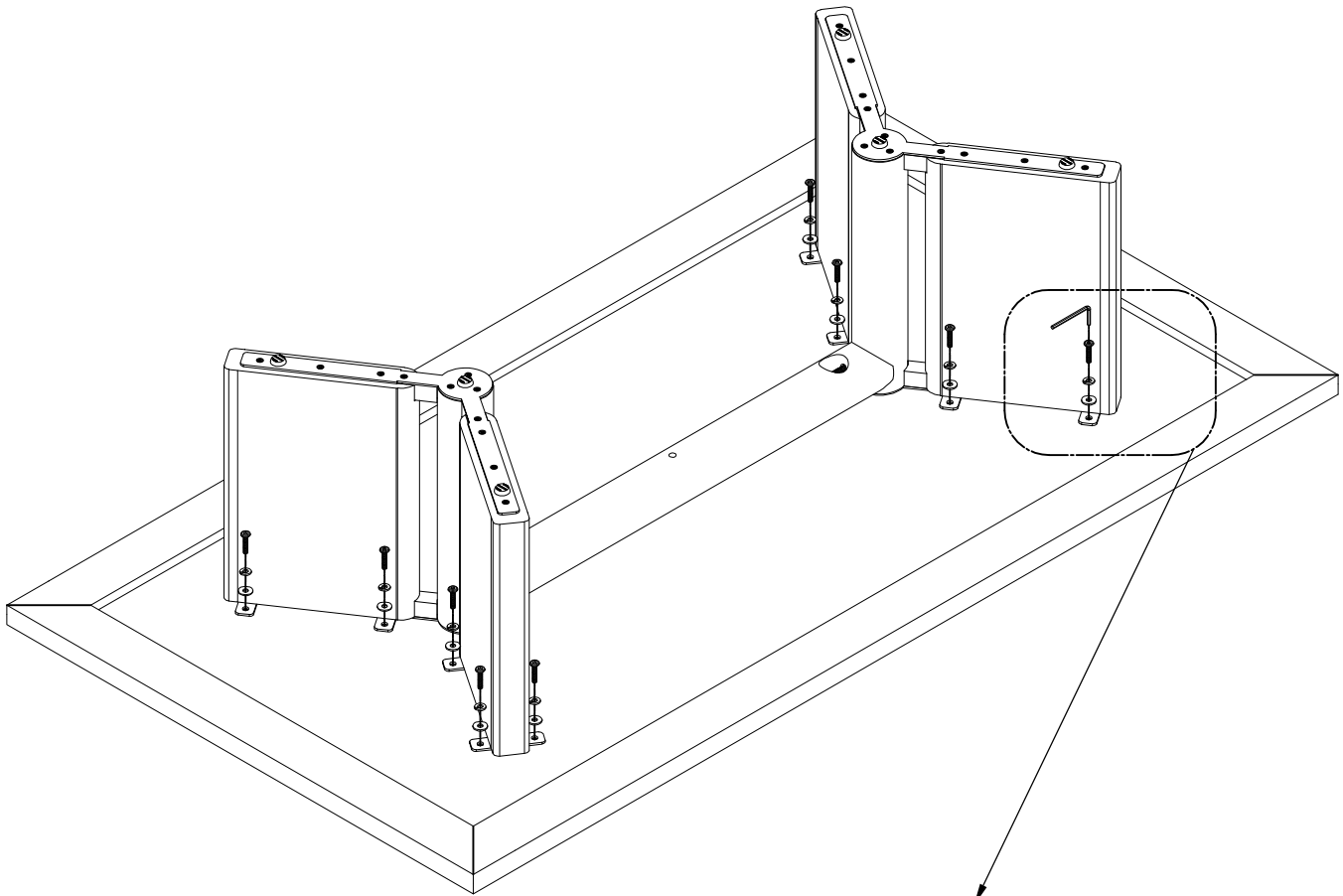
Step 1



Step 2



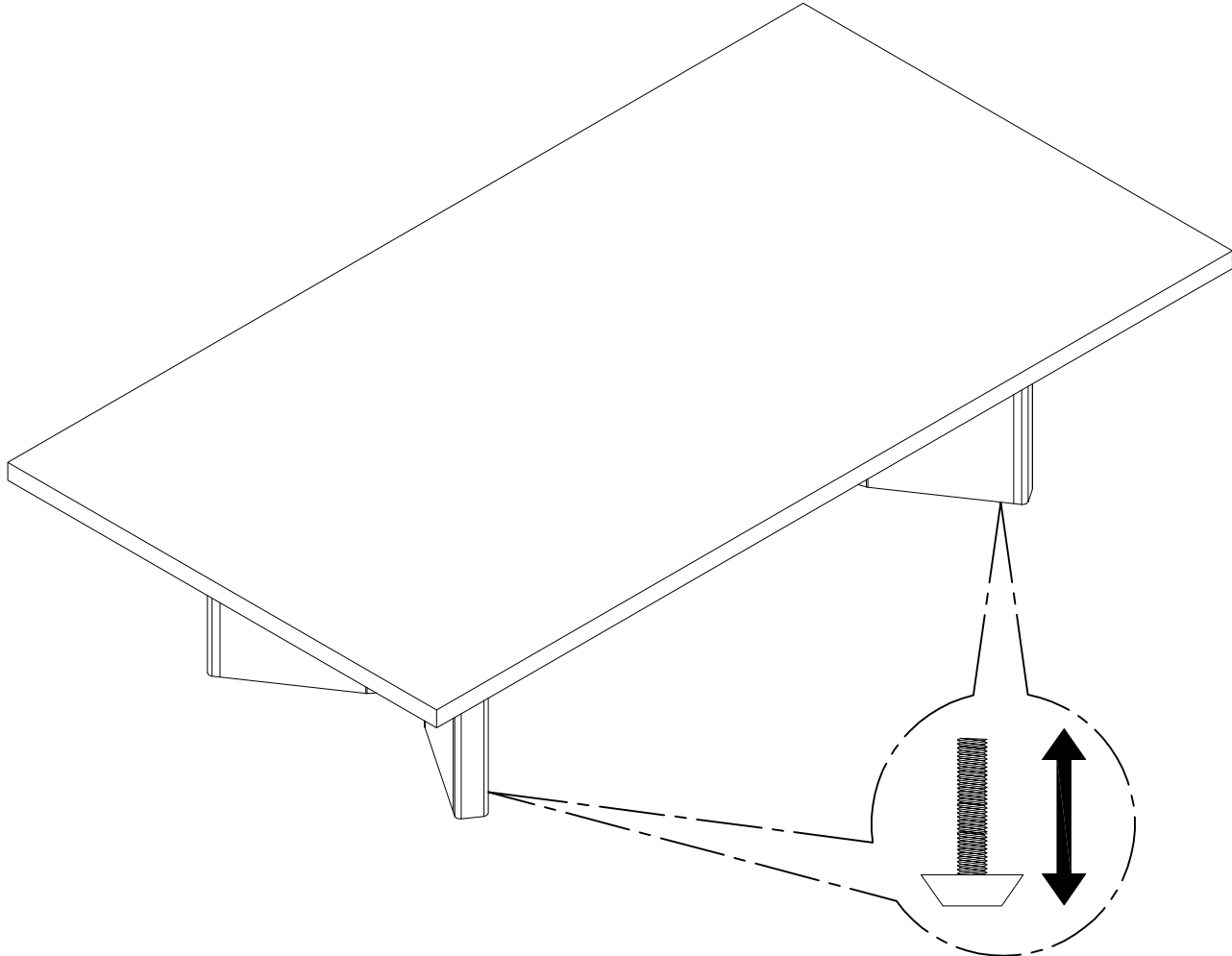
Step 3



Step 4

Adjusting floor levelers and door hinges

Your furniture has been expertly crafted and re-adjusted by professionals. However, slight shifts can occur during transportation. If you notice that the furniture wobbles, a quick adjustment can help ensure stability and a seamless look.



Adjusting Floor Levelers

Check for stability - Place the furniture in its final position on a level surface. If it wobbles or doesn't sit evenly, the floor levelers need adjusting.

Locate the levelers - These are small adjustable feet found at the bottom corners of your furniture.

Adjust as needed - Using your hand or a wrench, turn the levelers clockwise to raise or counterclockwise to lower the furniture. Make small adjustments and check stability after each turn.

If you need further adjustments, repeat the process in small increments.