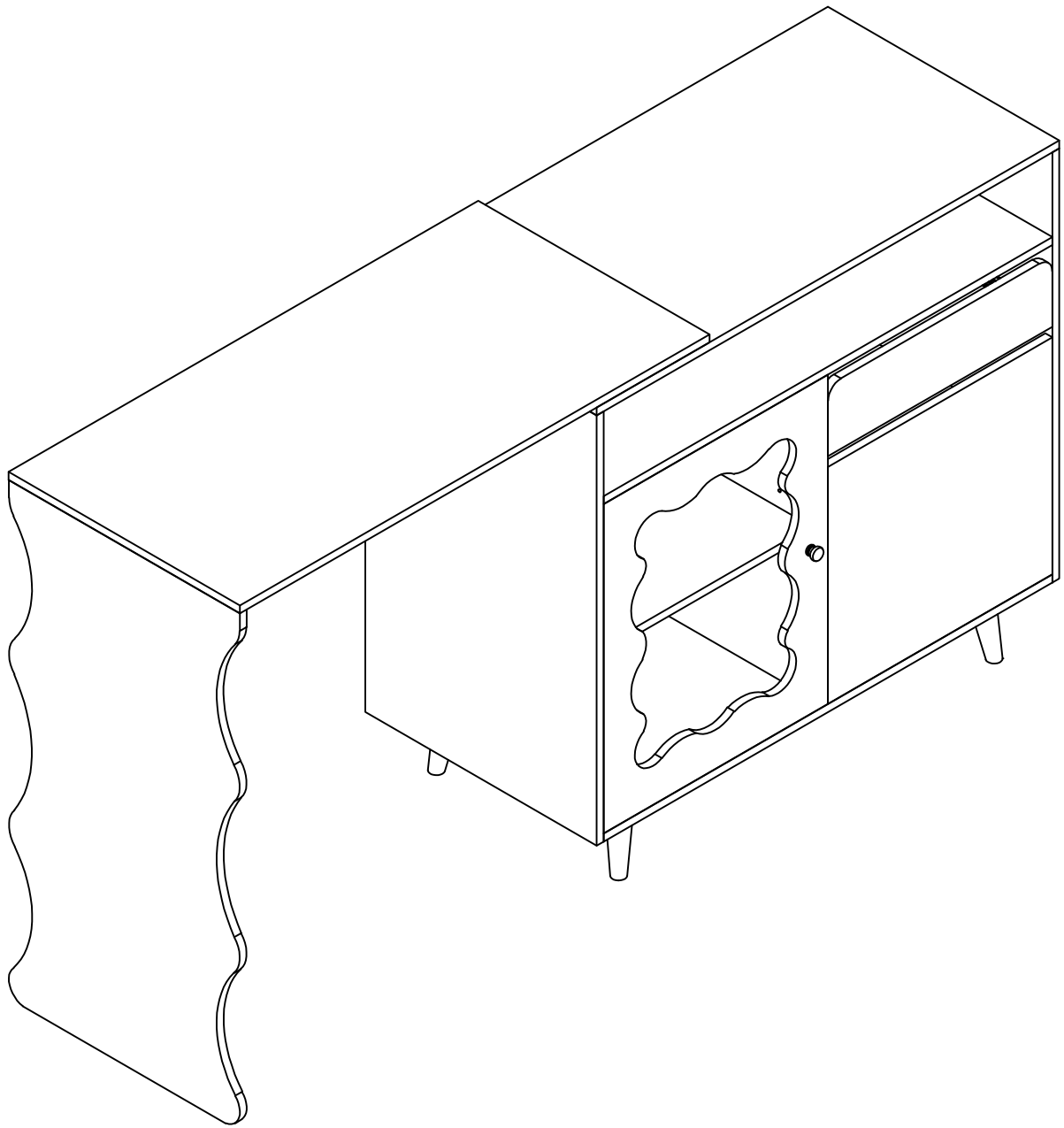


Assembly Instruction



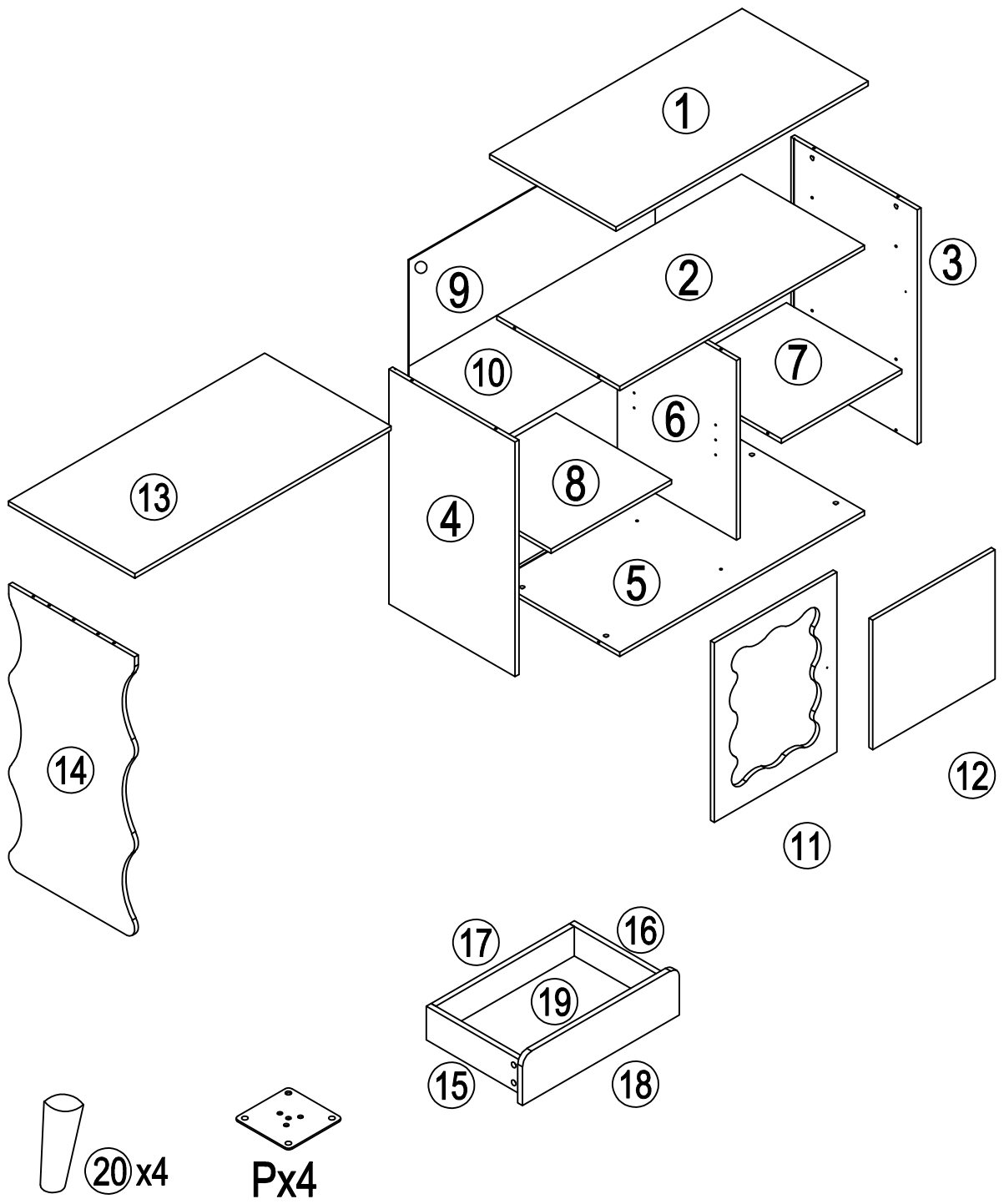
BEFORE STARTING

Before Using Product

- Read each step carefully before starting. It is very important that each step is performed in the correct order. If these steps are not followed in sequence, assembly difficulties will occur.
- Make sure all parts are included.
- Work in a spacious area and near where the unit will be used, preferably on a carpet, or use a piece of the cardboard packaging to protect your floor and product.
- For a smooth assembly process, we suggest you keep a lite tightness for all the screws during assembly. After the whole product is assembled, firmly tighten all the screws.

WARNING

- Do not allow children to climb on unit.
- Avoid sharp objects or corrosive chemicals to prevent damage to the product.
- During assembly, keep parts and packaging materials away from children and pets as there could be potential injury and choking hazards.
- Please make sure that all objects are removed before moving the assembled unit.
- The unit must be team lifted, not dragged or pushed. Failure to do so could cause instability, product collapse, and/or serious injury.
- Be careful when using power tools to assemble your furniture. Power tools may strip or damage the parts.

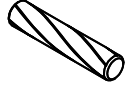




Ax28



Bx28



Cx2

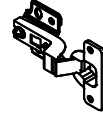


M3x12MM

Dx11



Ex2



Fx4



Gx4



Hx1



Ix1



Jx3



Kx3



Lx1



Mx1



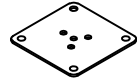
M3x16MM

Nx18



M4x16MM

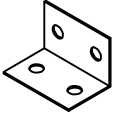
Ox48



Px4



Qx2



Rx2

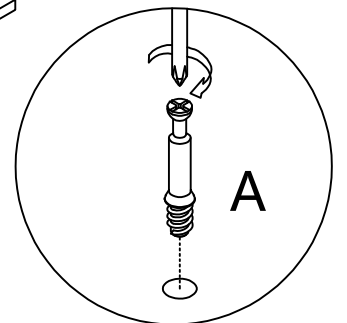
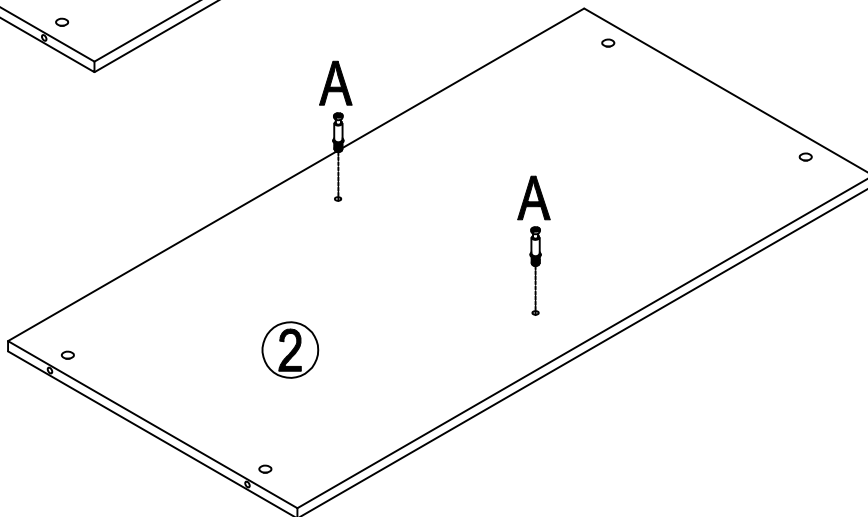
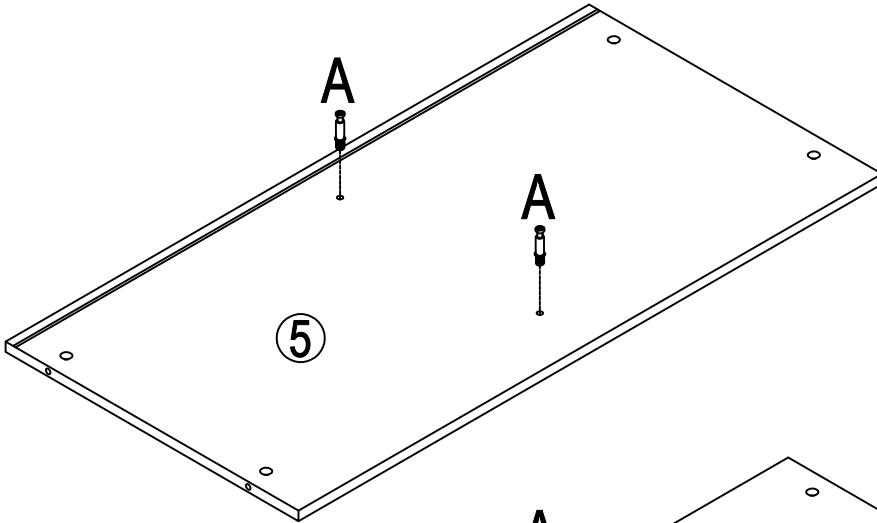


Sx1



Tx1

STEP 1

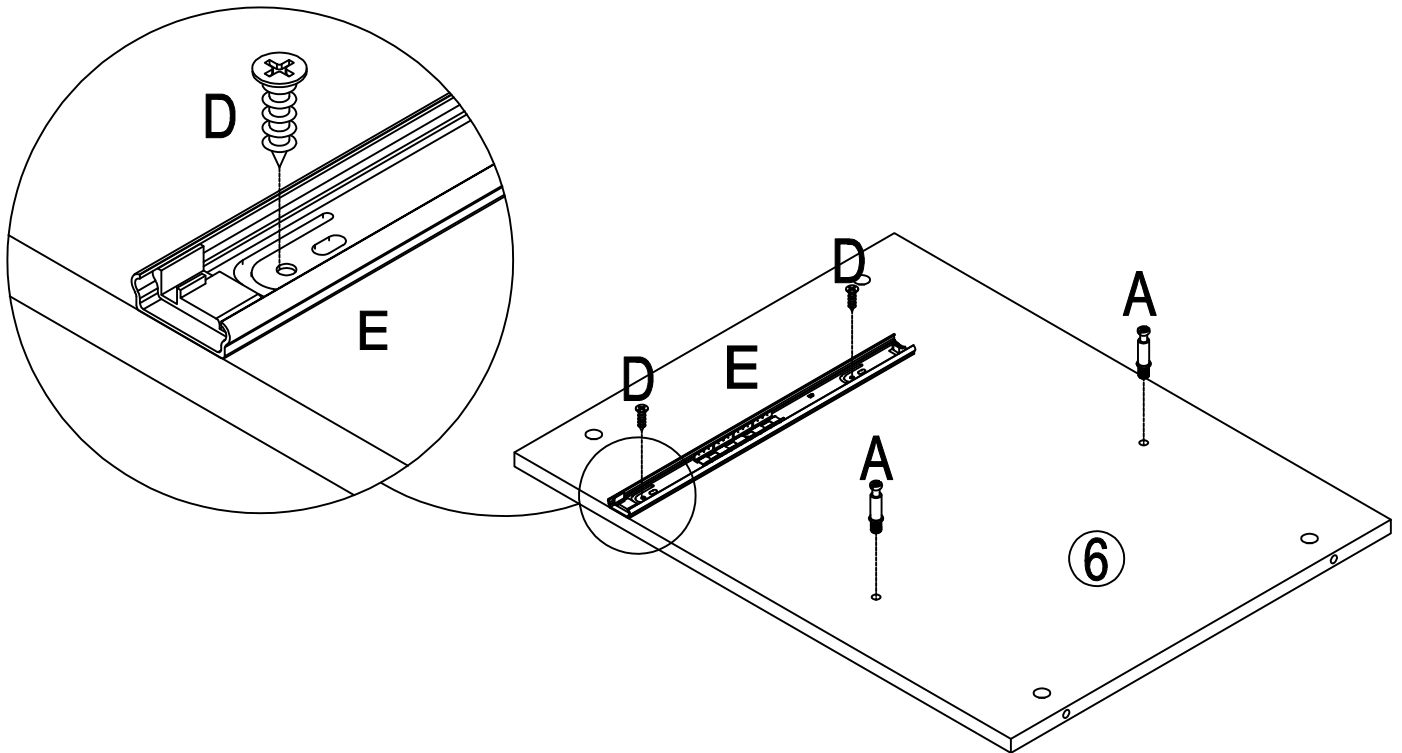


Ax4

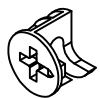
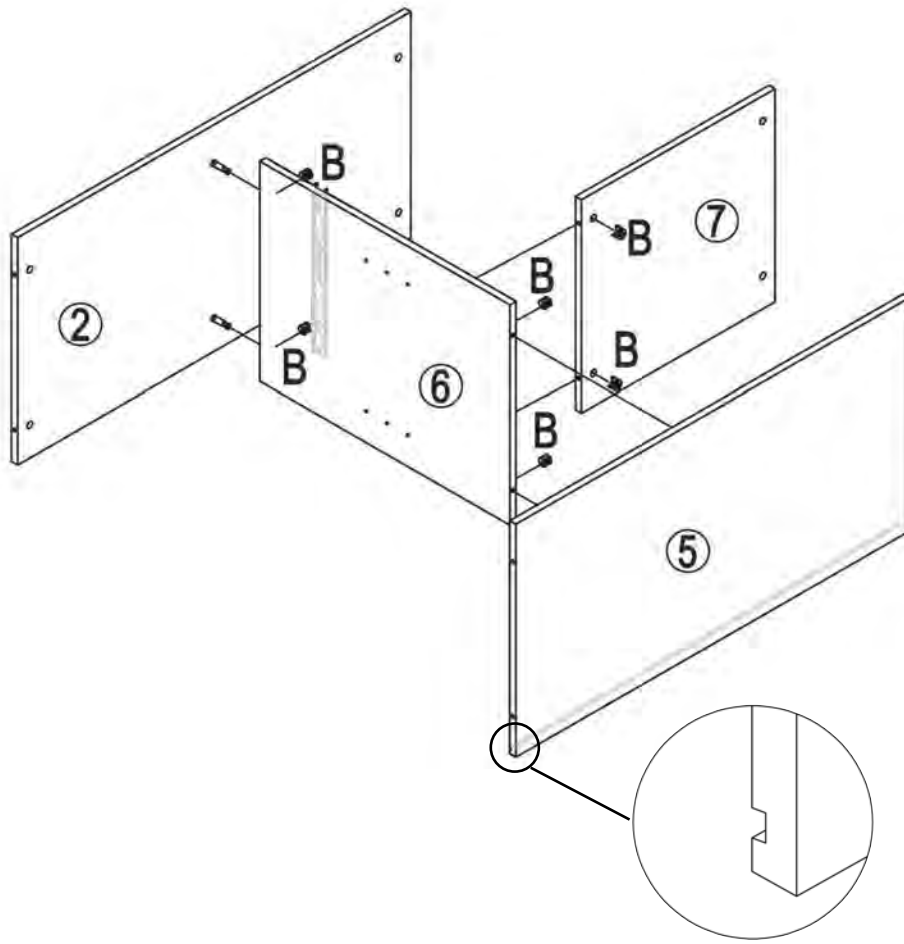
STEP 2



STEP 3

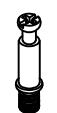
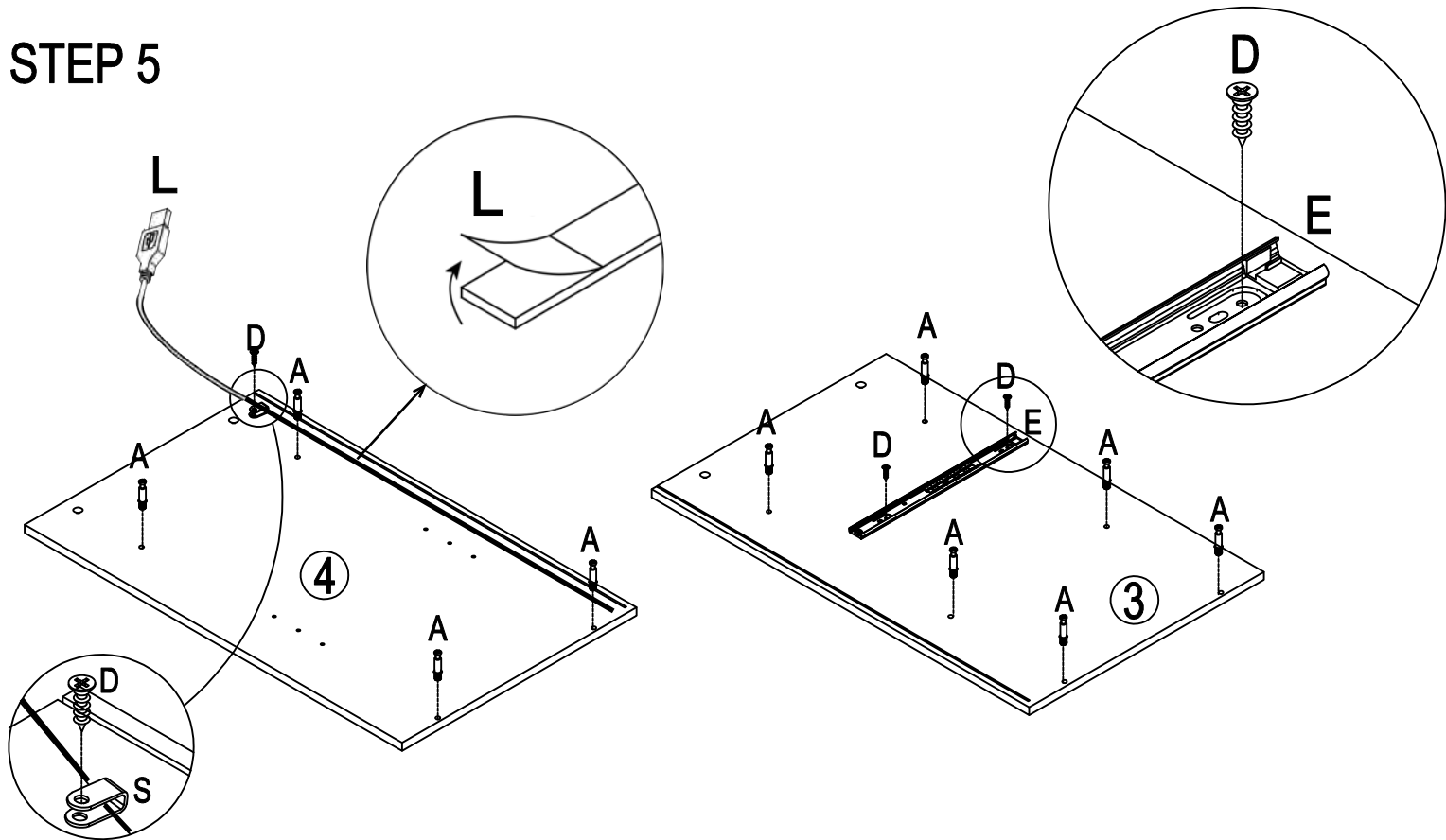


STEP 4



Bx6

STEP 5



Ax10



Ex1



Dx3

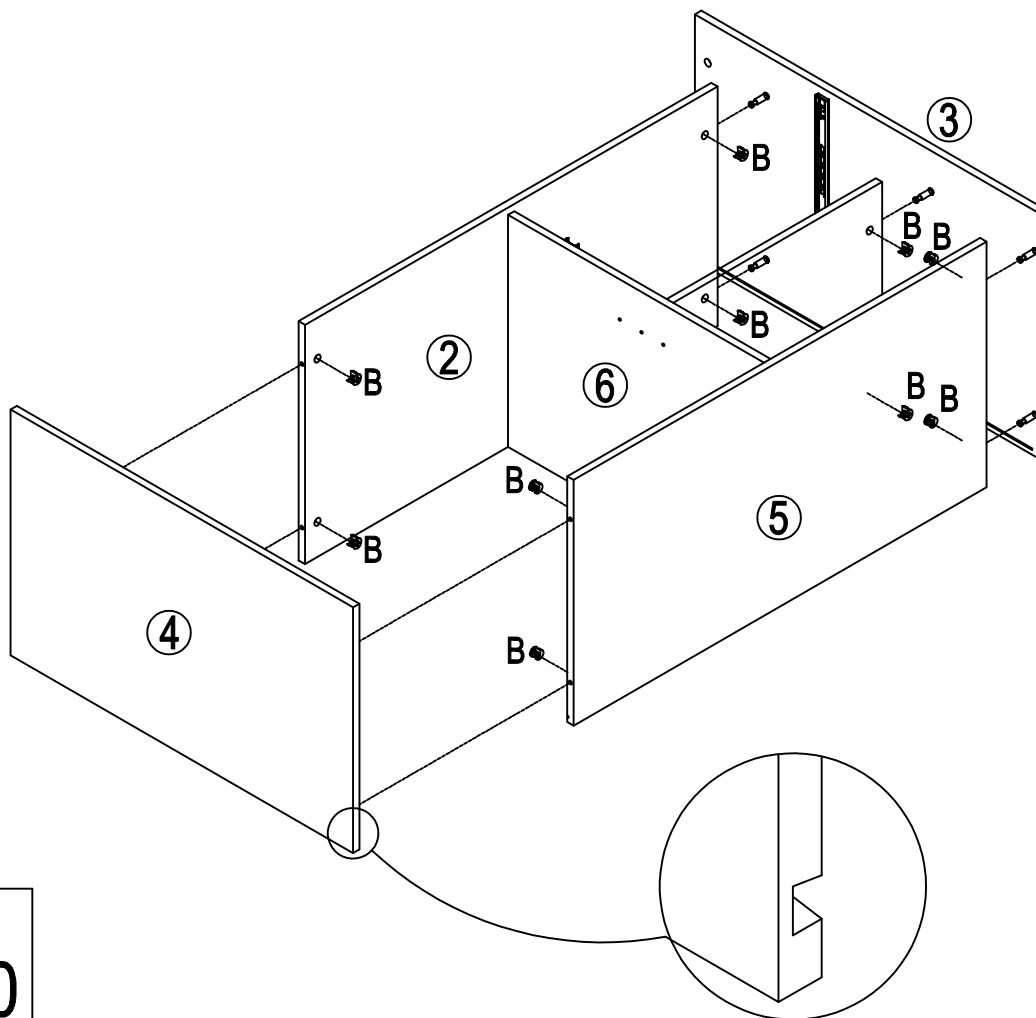


Lx1



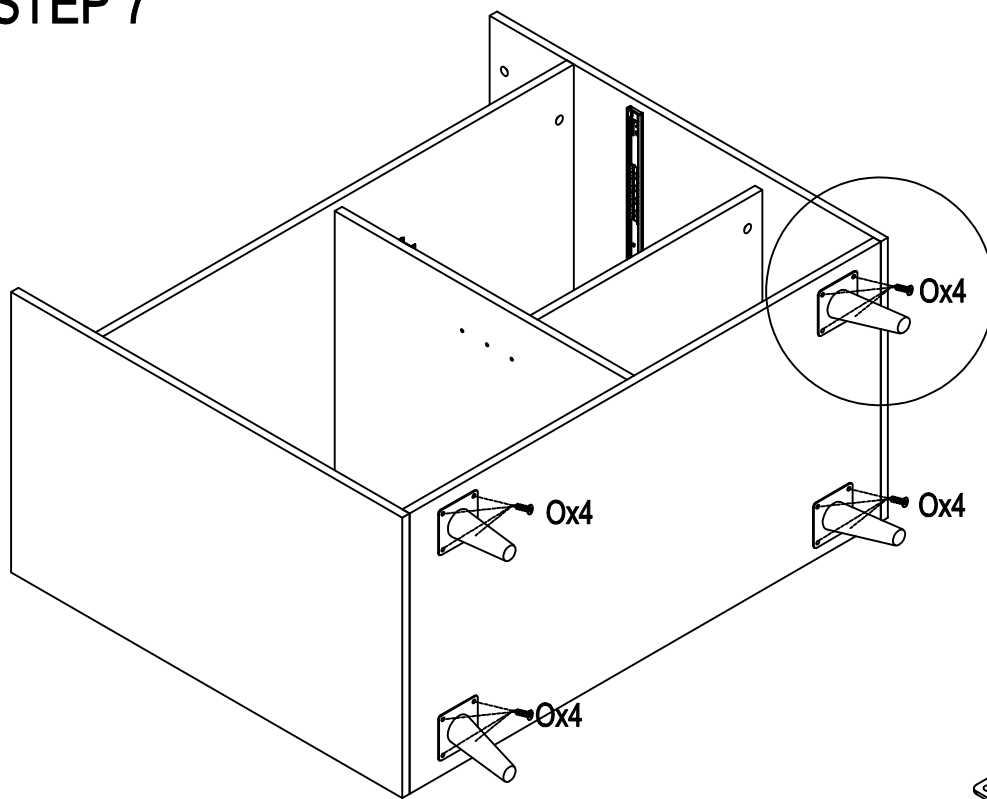
Sx1

STEP 6

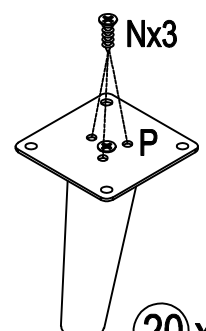
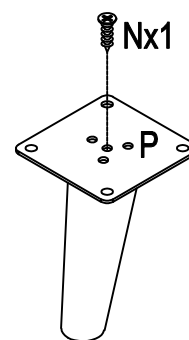


 **Bx10**

STEP 7



45° angle mounting



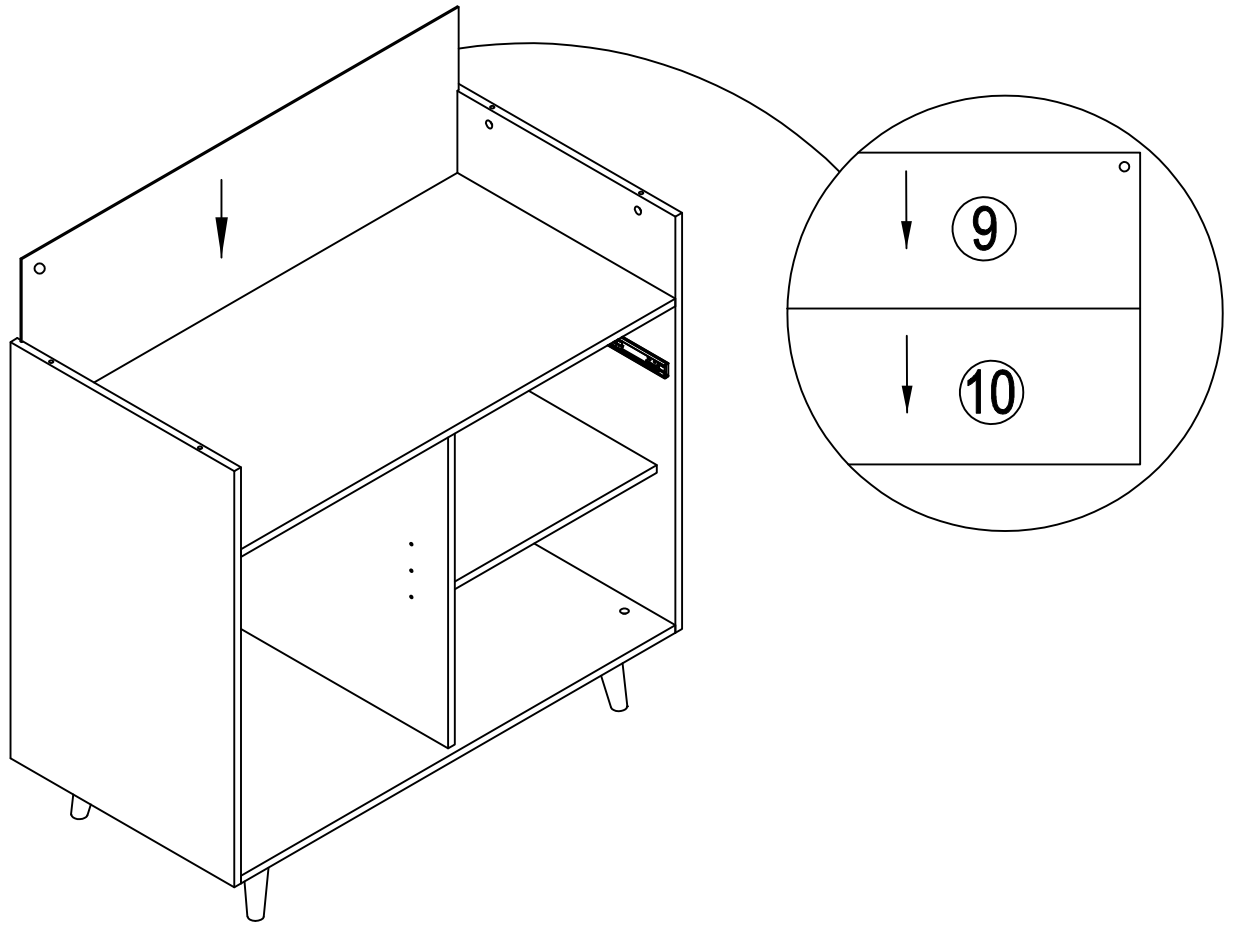
 **Ox16**

 **Nx16**

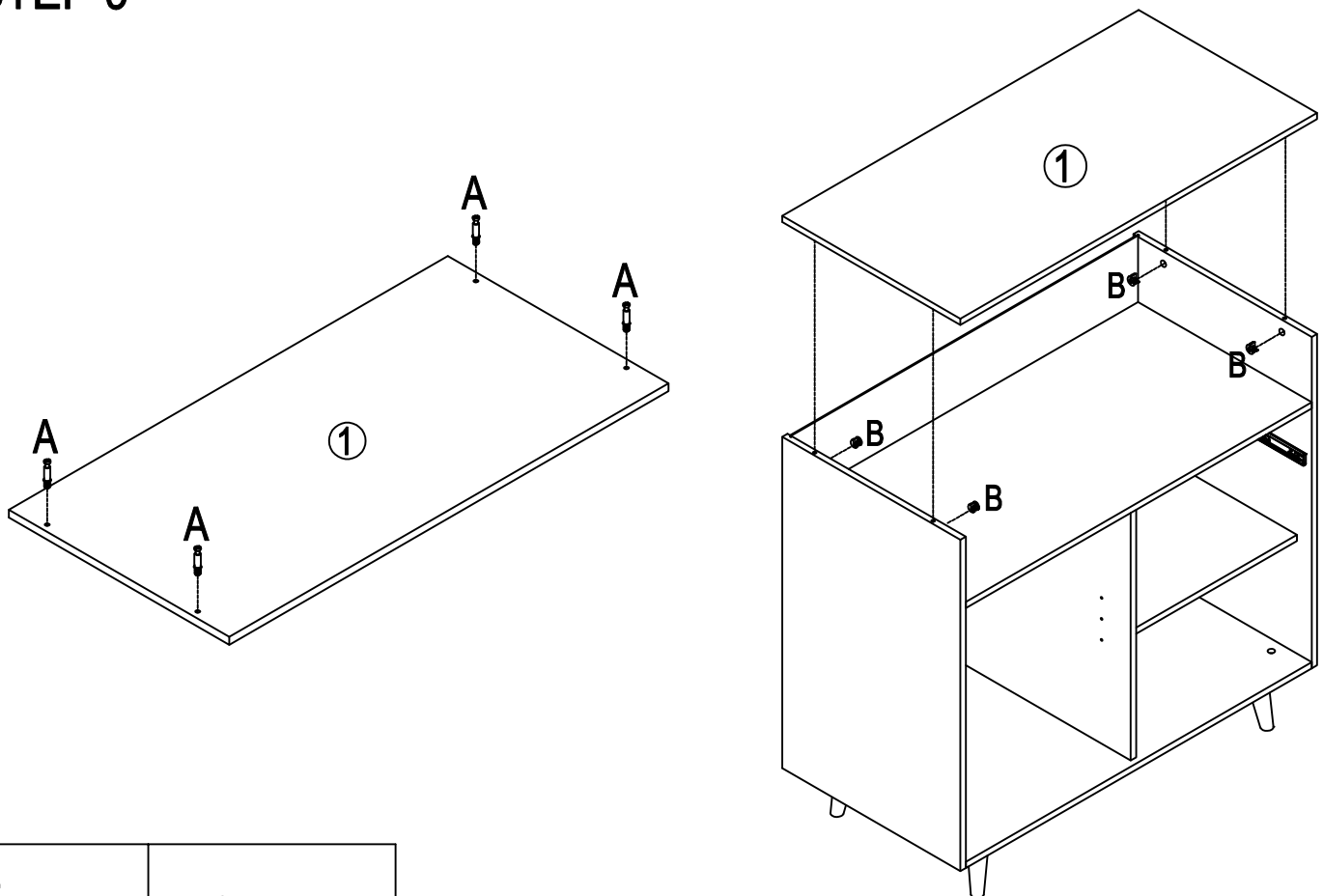
 **Px4**

20x4

STEP 8



STEP 9

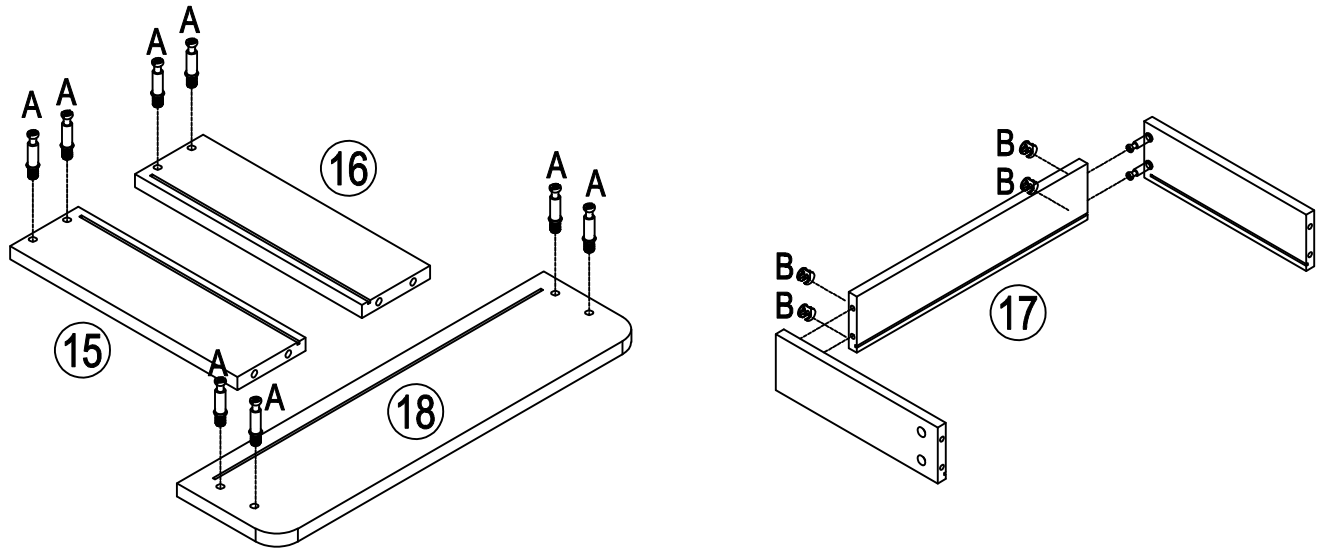


Ax4



Bx4

STEP 10

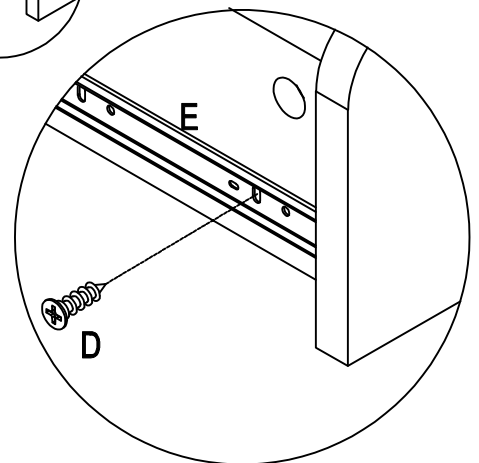
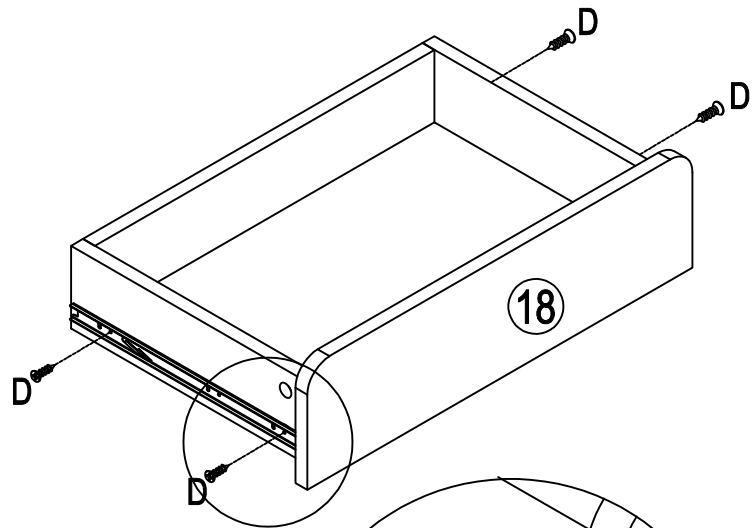
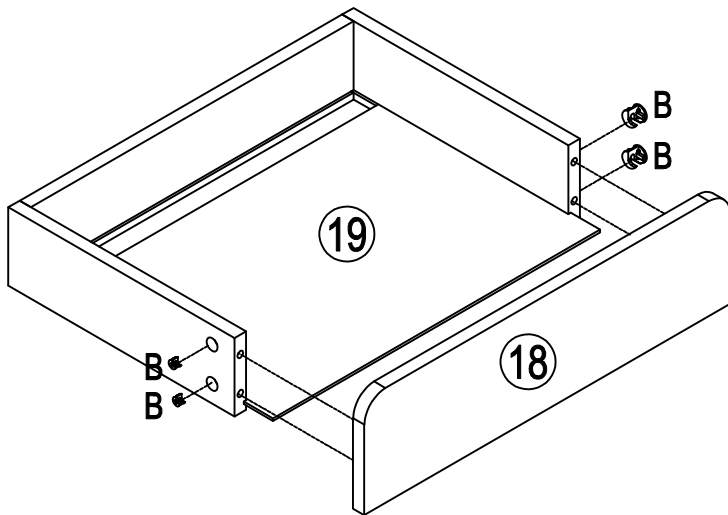


Ax8



Bx4

STEP 11



Bx4

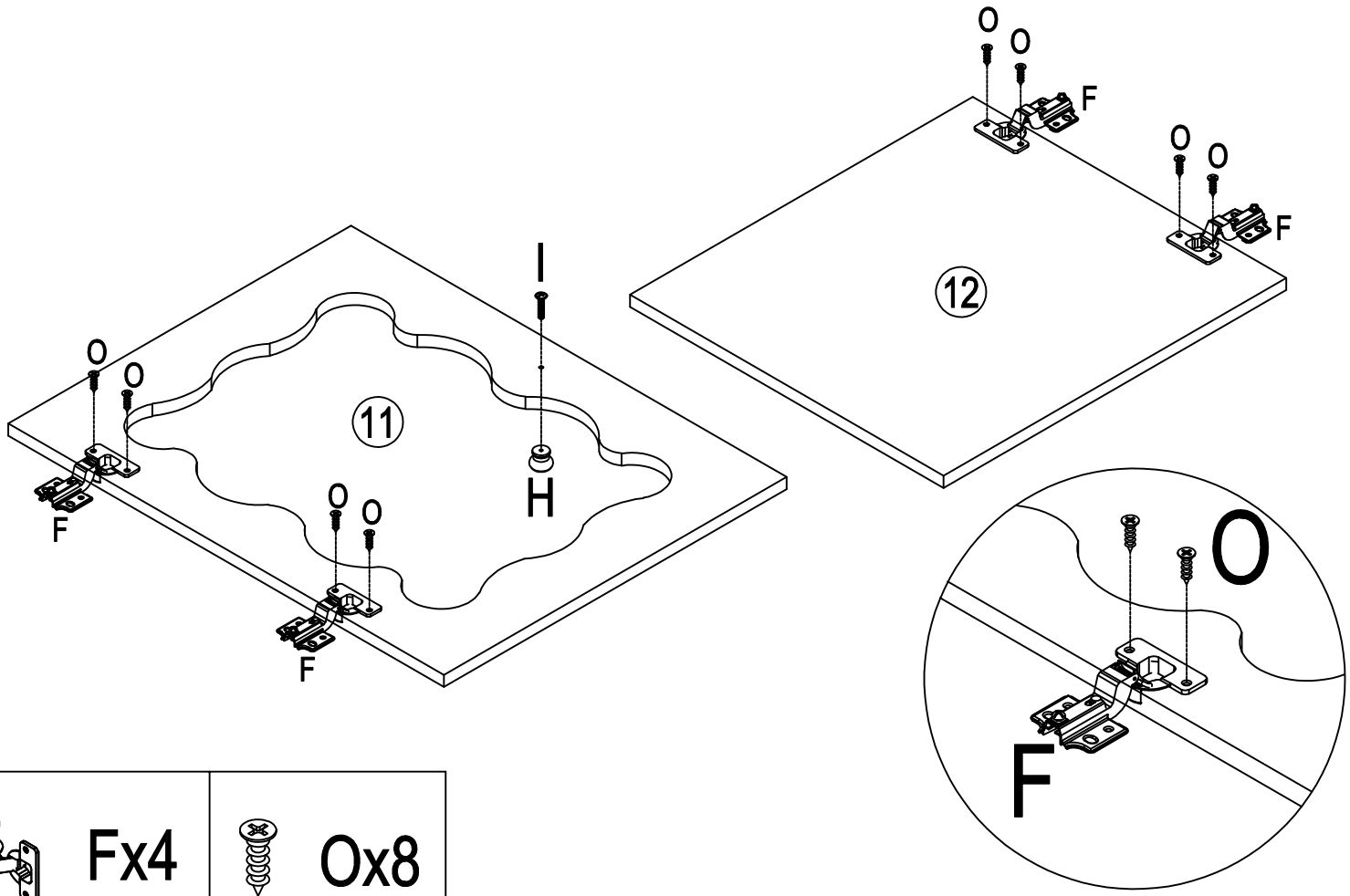


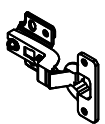

Ex2



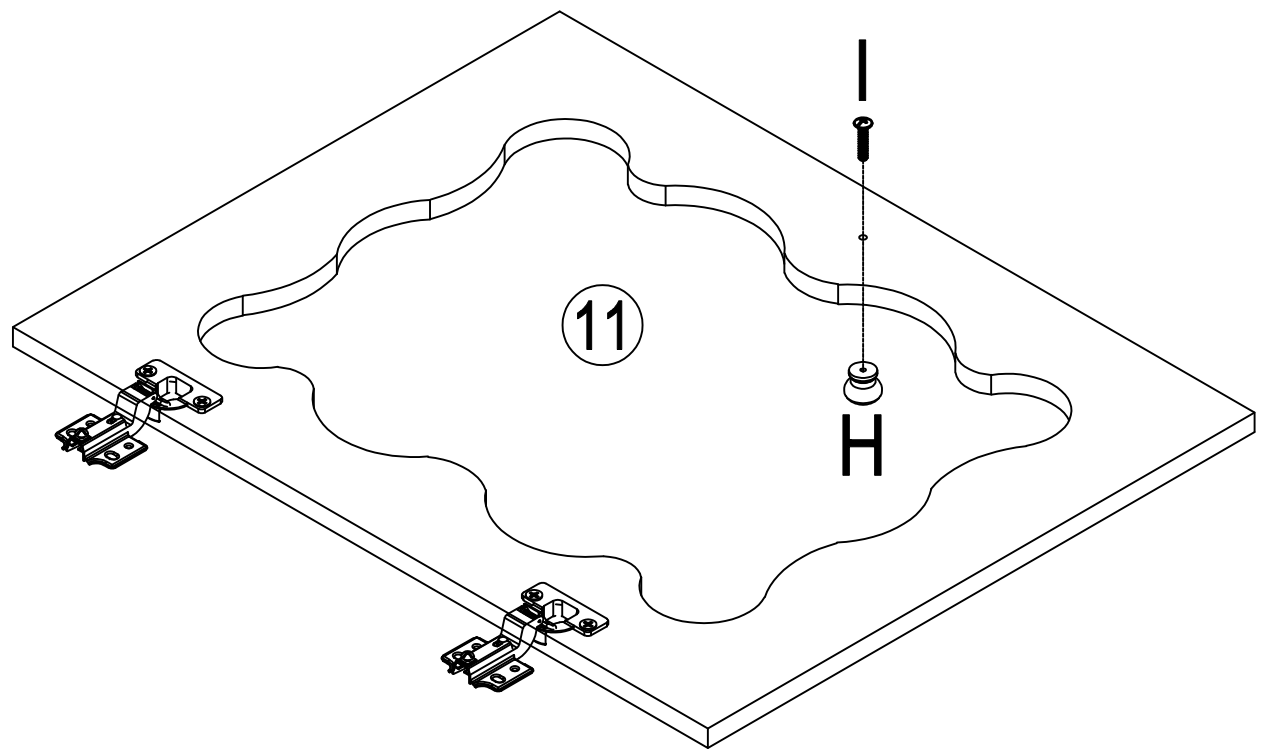
Dx4



STEP 12



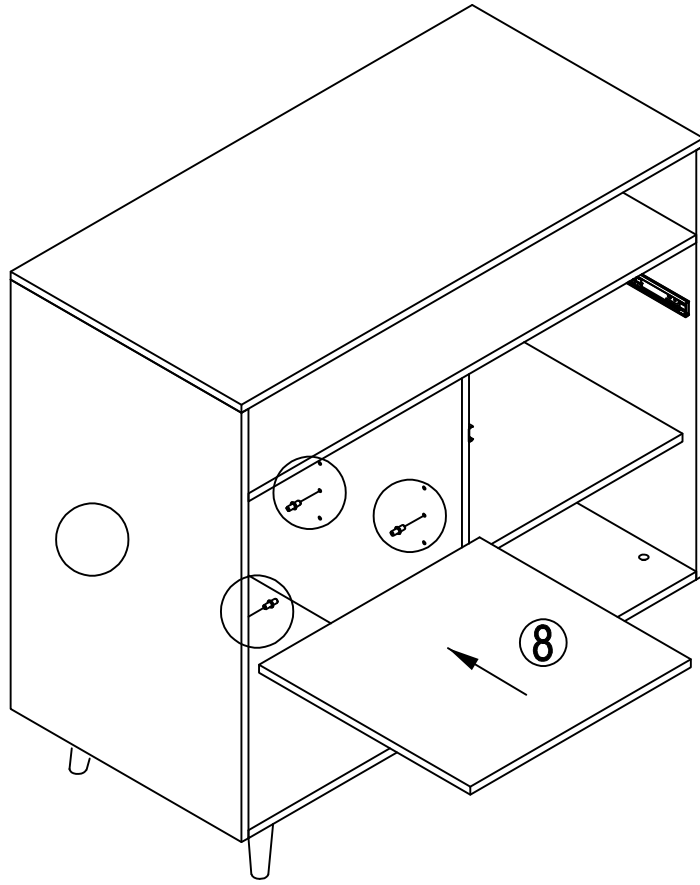
	Fx4		Ox8
---	------------	--	------------

STEP 13

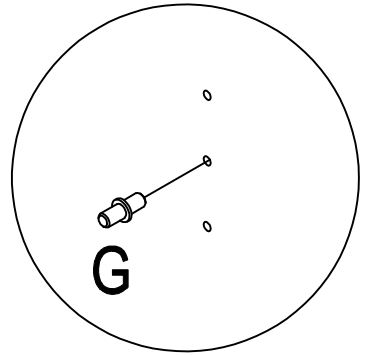


	Hx1		Ix1
--	------------	---	------------

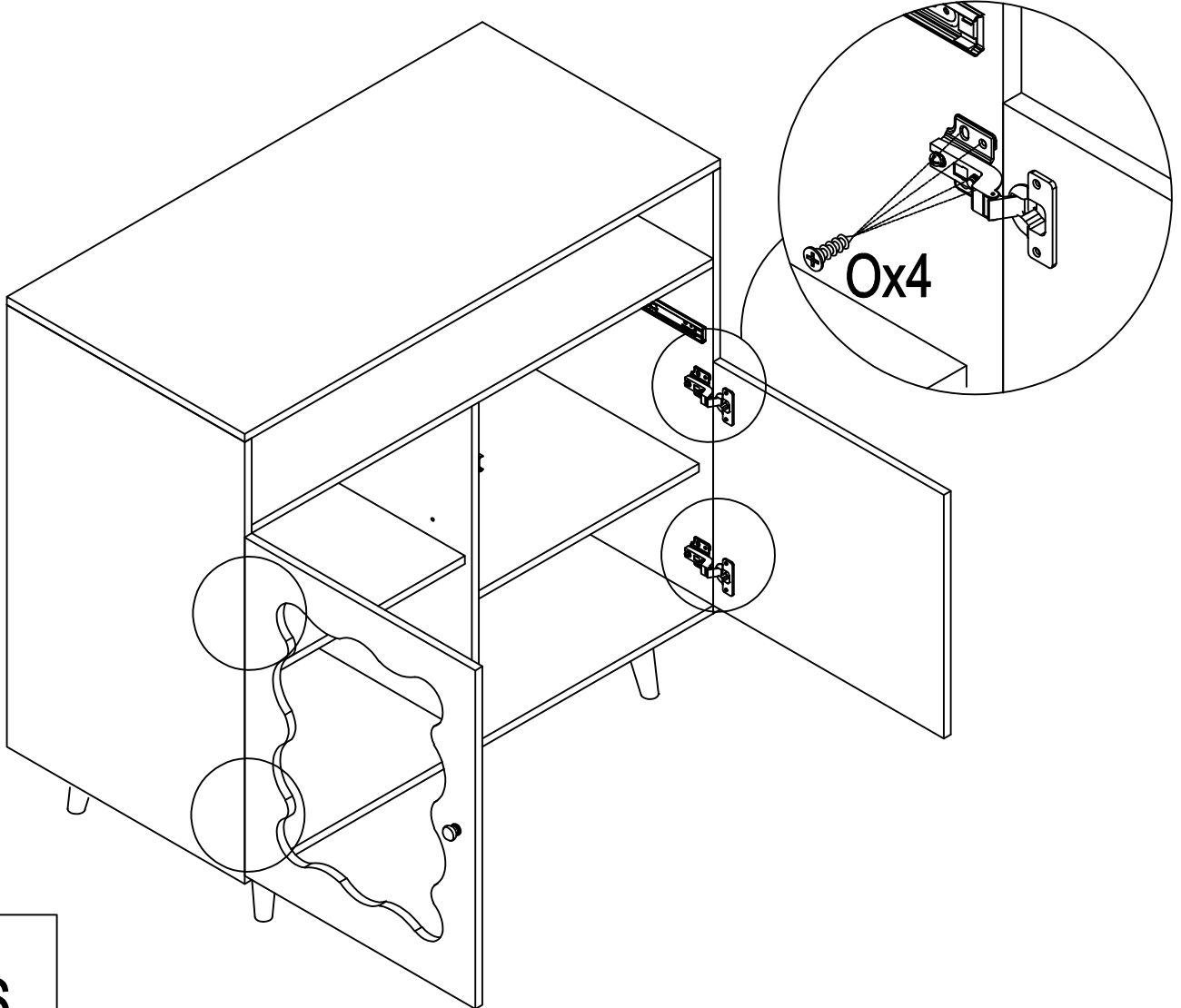
STEP 14



 Gx4

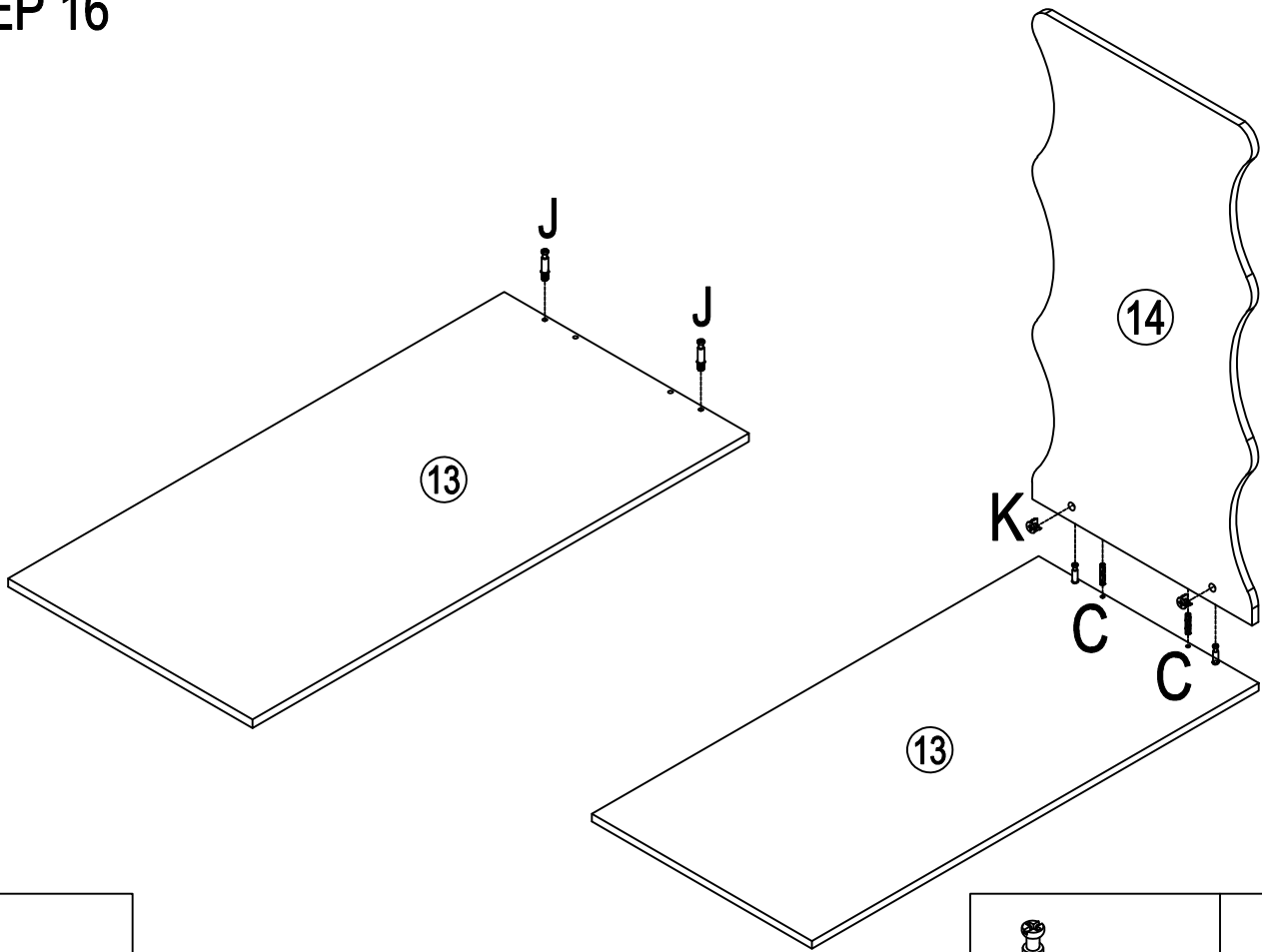


STEP 15



 Ox16

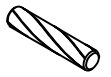
STEP 16



Jx2

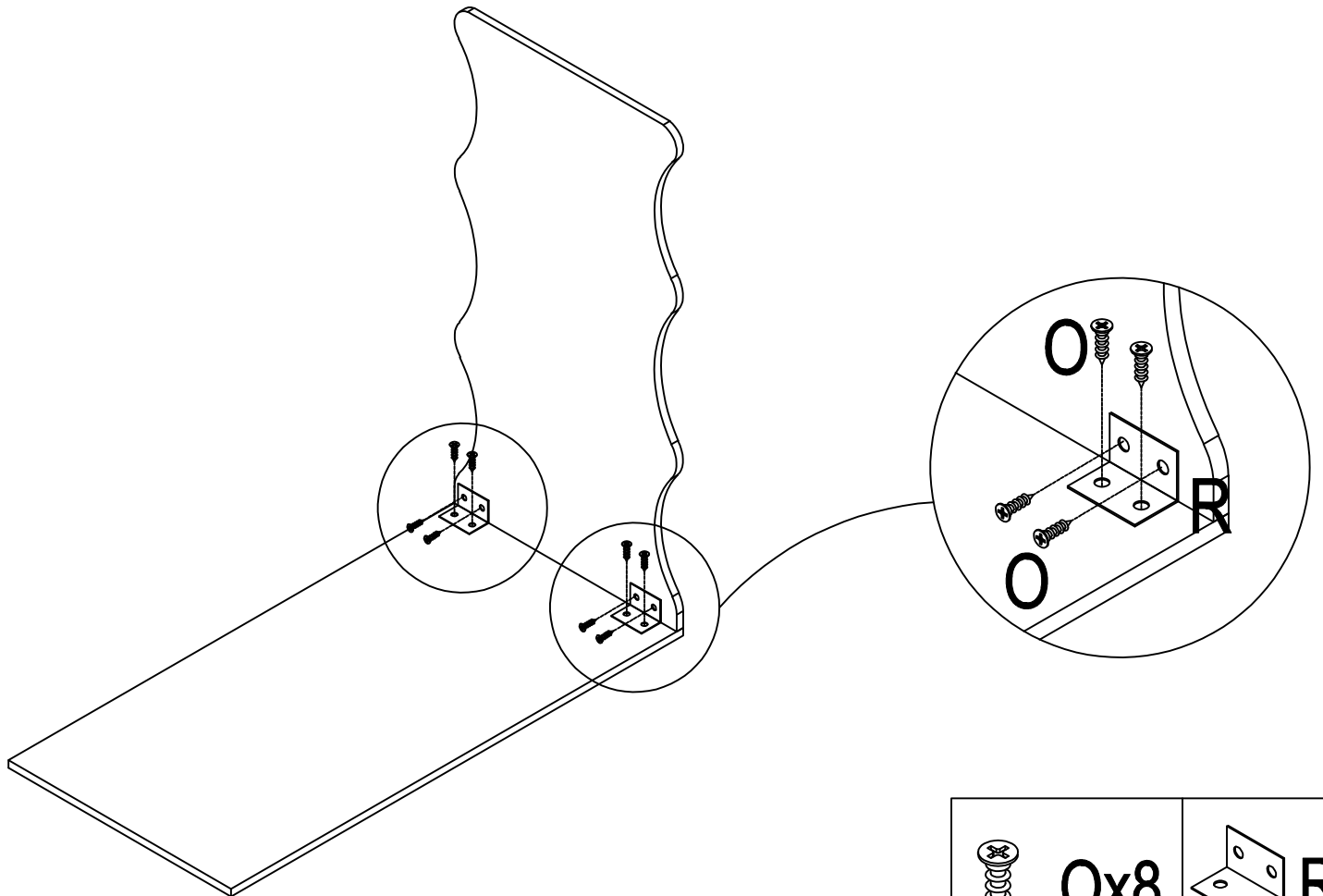


Kx2

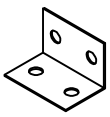


Cx2

STEP 17

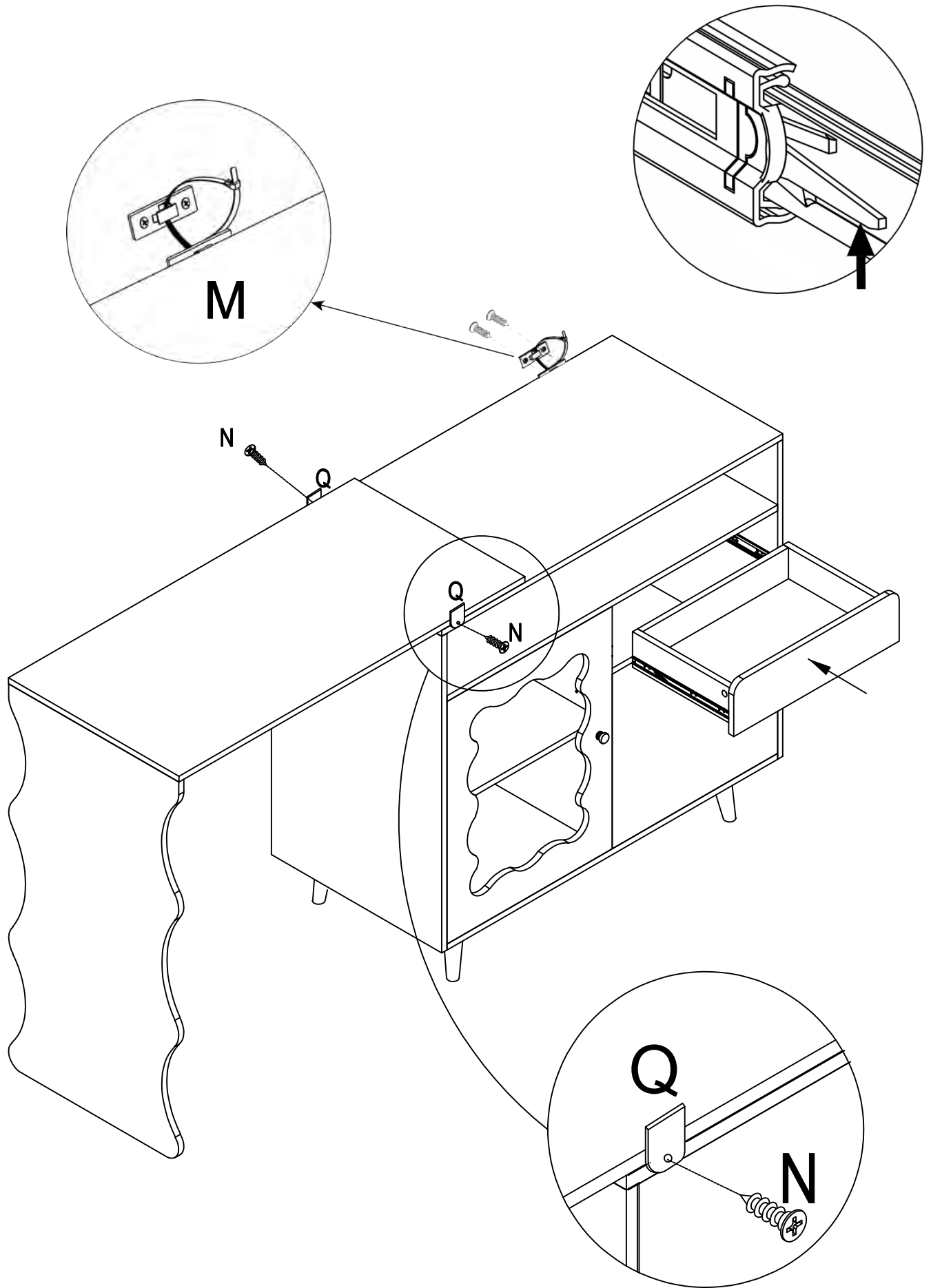


Ox8

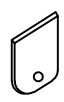


Rx2

STEP 18



Mx1



Qx1



Nx2