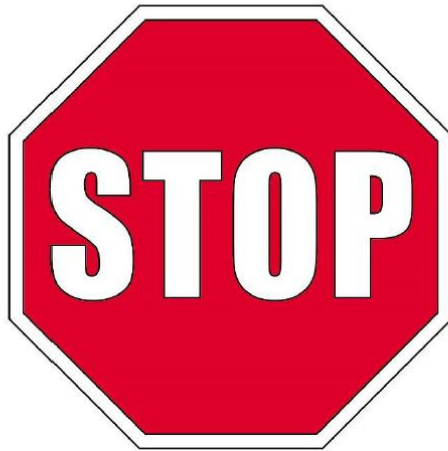


eccostyle

by casualcontemporaryliving™

Assembly Instructions



SHOULD YOU HAVE ANY QUESTIONS REGARDING THE ASSEMBLY OR PARTS OF YOUR NEW ECCOSTYLE ITEM, PLEASE DO NOT RETURN TO THE STORE, INSTEAD CALL 1-360-883-6082 OR

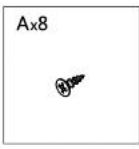
WRITE TO: CUSTOMERSERVICE@CASUALCONTEMPORARYLIVING.COM

Why eccostyle bamboo?

- Renewable resource – Bamboo has the Fastest Growing Cycle of any furniture raw material – 5 years sprout to harvest.
- Bamboo also has superior structural strength as well as the lowest moisture expansion/contraction displacement of any furniture raw material 50% lower than Oak or Pine
- Environmentally desirable UV activated finish – virtually 100% of the finish is utilized without spray or runoff waste and it dries instantly when exposed to UV Light without heat.

Before Assembly – Please place all parts onto a clean dry and soft surface to avoid damage during the assembly of your furniture.

www.CasualContemporaryLiving.com



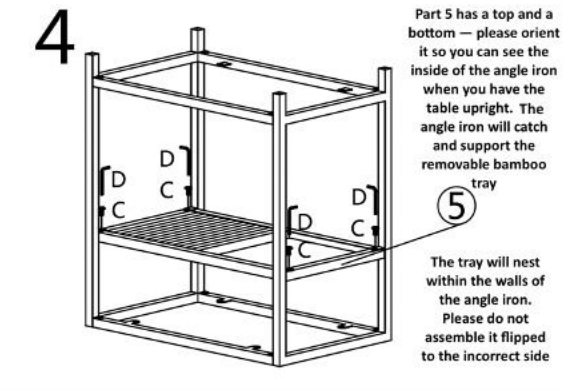
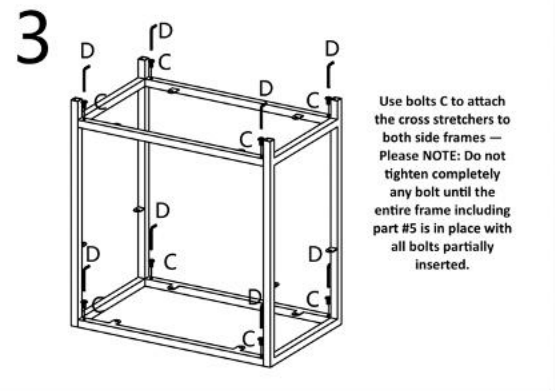
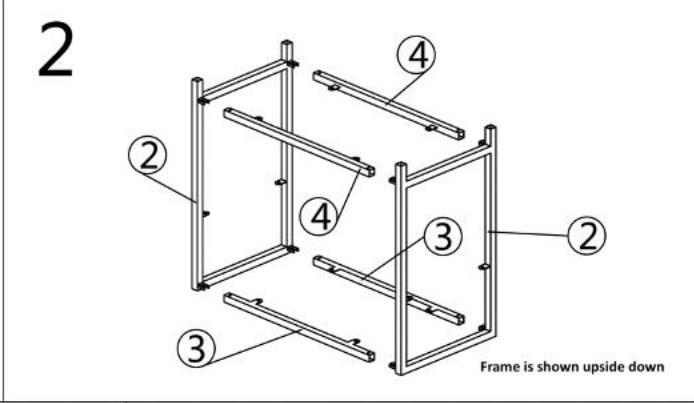
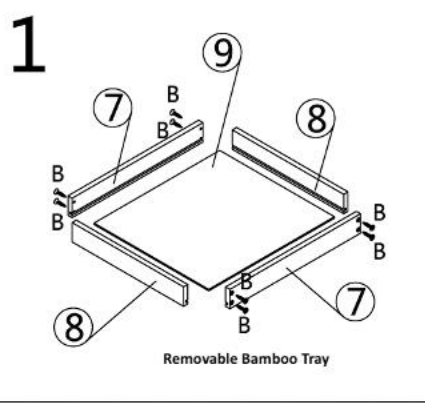
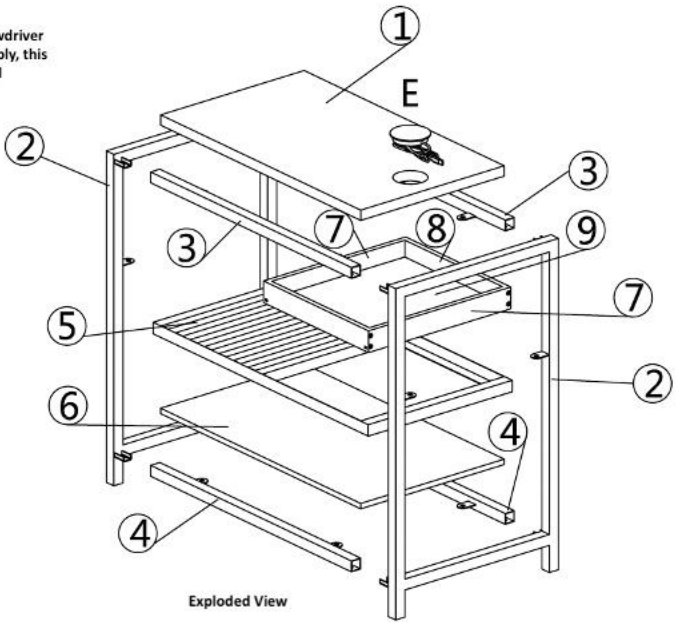
Short screws for shelves



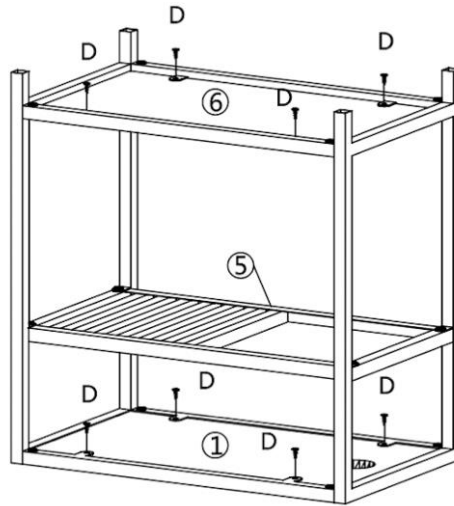
Long screws for tray



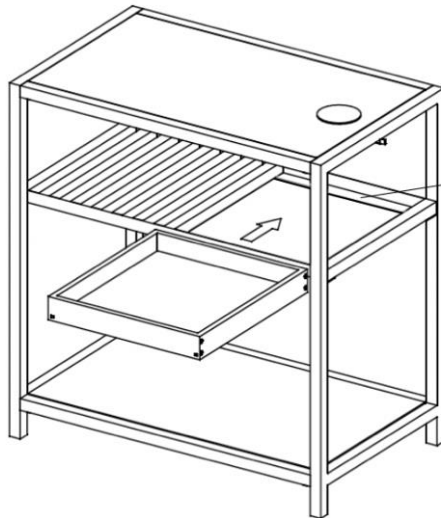
Note: A Philips screwdriver is required for assembly, this is not provided



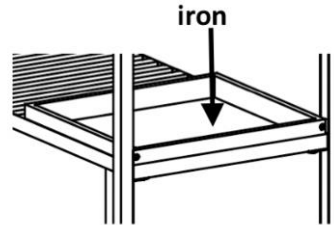
5



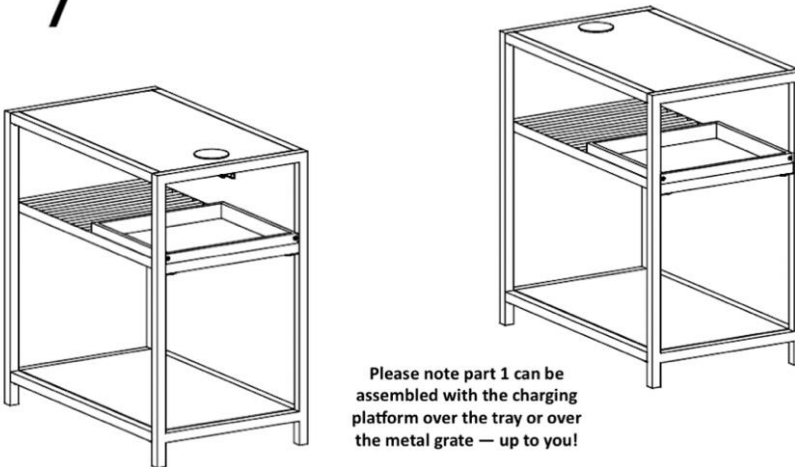
6



Tray nests down
and rests on the
bottom of the angle
iron



7



Please note part 1 can be assembled with the charging platform over the tray or over the metal grate — up to you!

To use the wireless charging device, simply plug the USB cord into the AC adapter and then plug the adapter into any 110V outlet. A high pitched alert should sound when the unit is first plugged in.

Remove any metal or magnetic case material from your phone, some heavy duty cases and plates for magnetized holders will obstruct the charging field.

Almost all phones and tablets with wireless charging built in will work with the charger.

Simply move the phone (or other device) over the charging disc platform until you hear another high pitched alert. This alert signals that the phone is charging and you should be able to see this confirmed on your phone's display