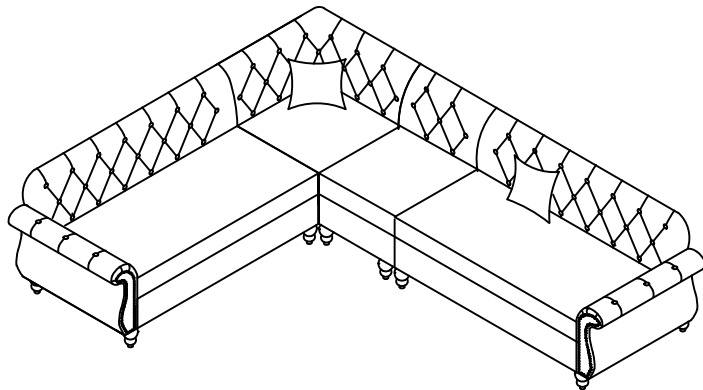


POUNDEX®

NOTICE BEFORE ASSEMBLY

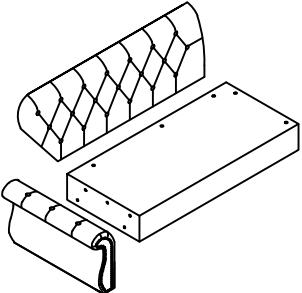
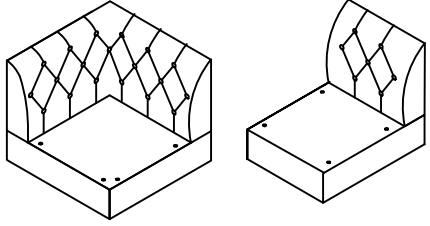
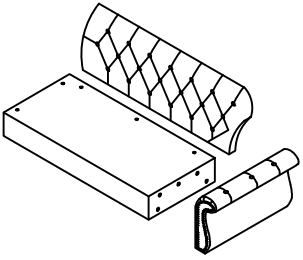




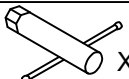



ASSEMBLY INSTRUCTIONS

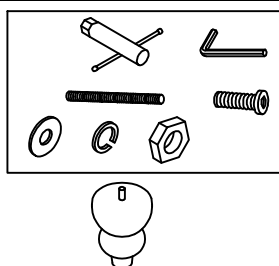
ITEM NO.: **F6433,F6434,F6437,F6438**



PART LIST

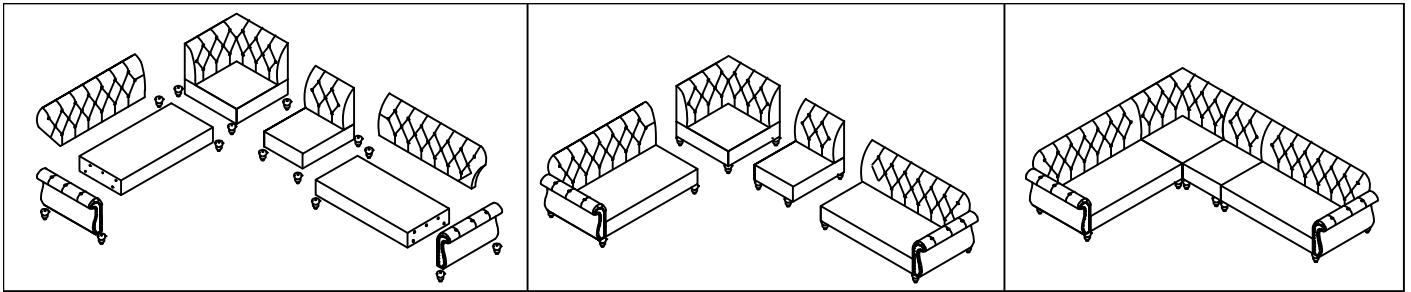
Cushions, pillow and legs included

					
1	 X 16	2	 X 16	3	 X 6
5	 X 6	6	 X 1	7	 X 10
				8	 X 1
				9	 X 16



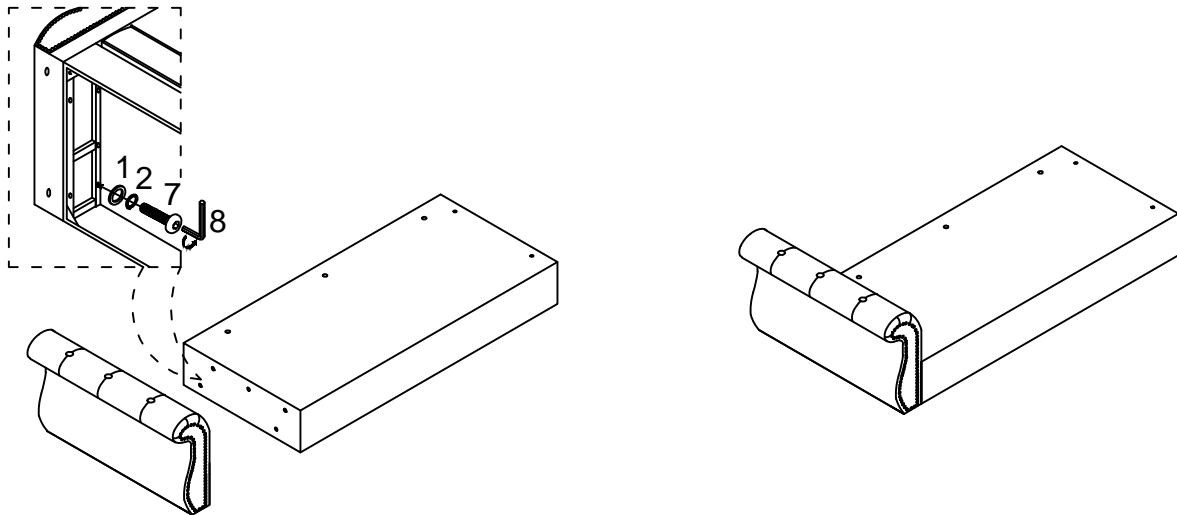
Open up the Velcro of Non-Woven Fabric cover on the bottom of the seat frame to remove seat cushions, back cushions and pillow.

*** PLEASE REMOVE ALL PARTS FROM SEAT FRAMES AND BACKS BEFORE ASSEMBLY***

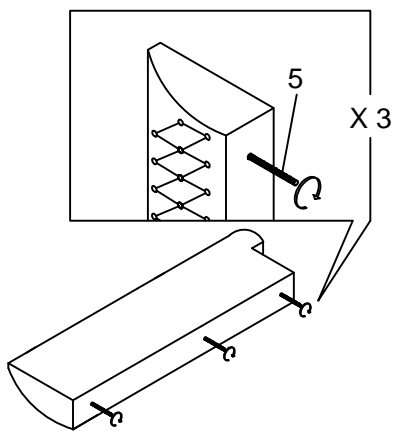


LOVESEAT ASSEMBLY INSTRUCTION

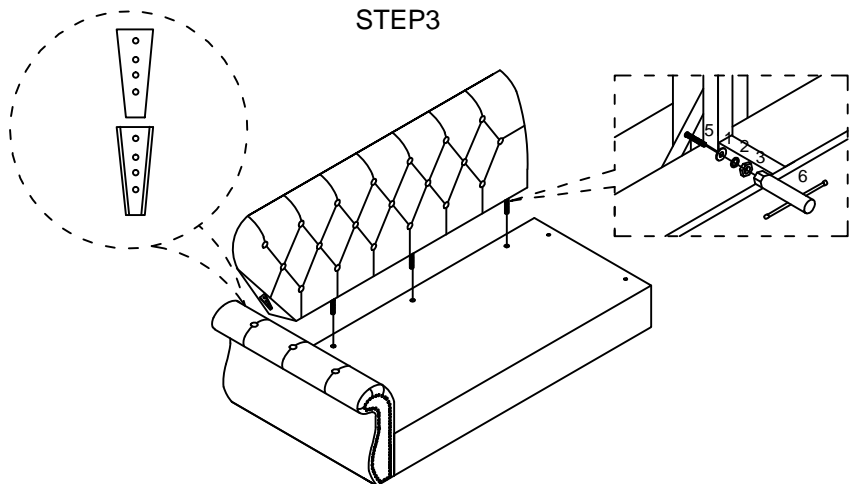
STEP 1



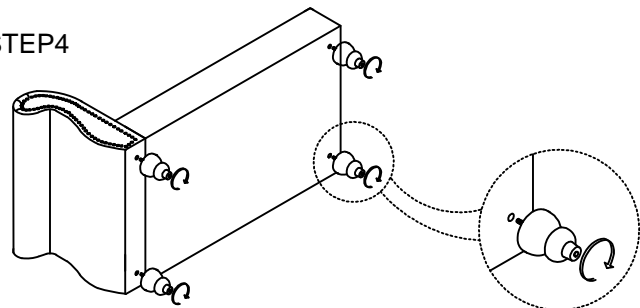
STEP 2



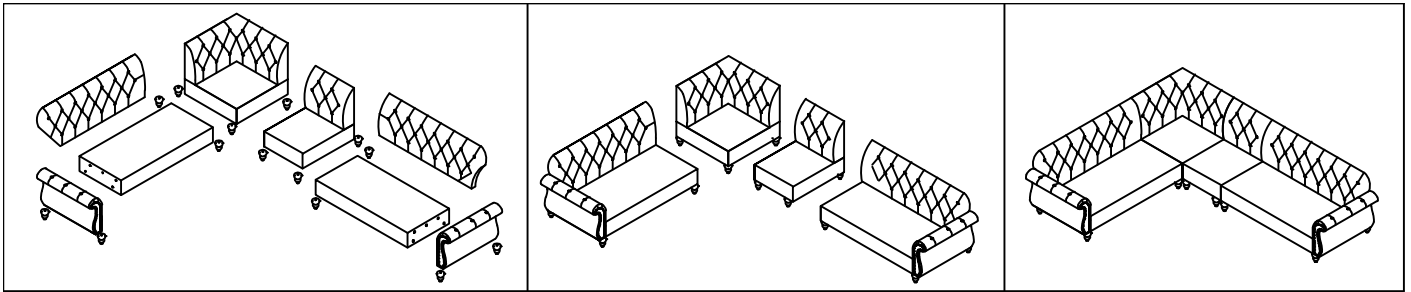
STEP 3



STEP 4

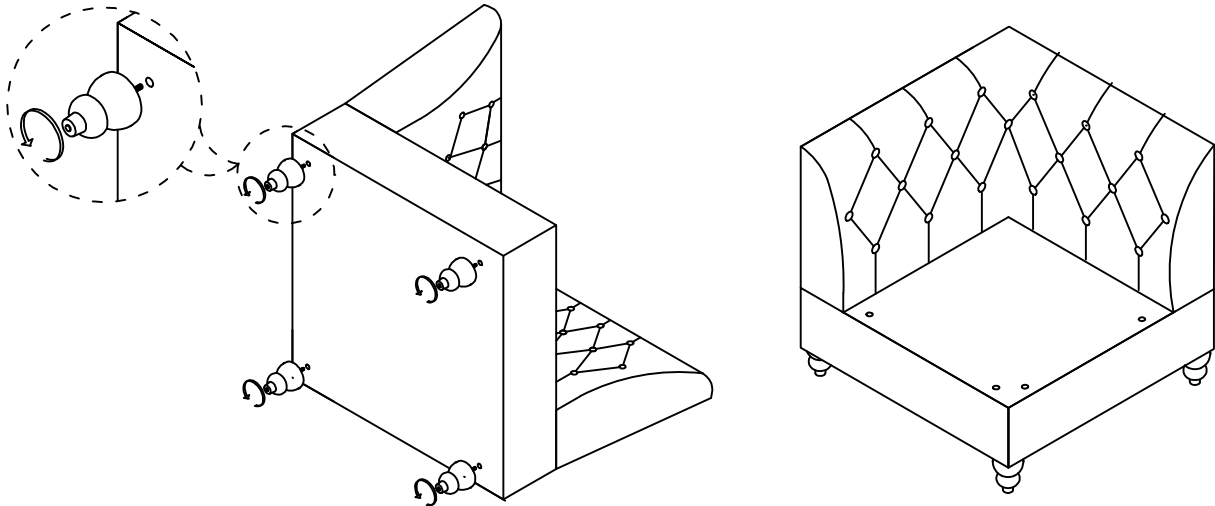


Stop when the rod starts coming out on the other end



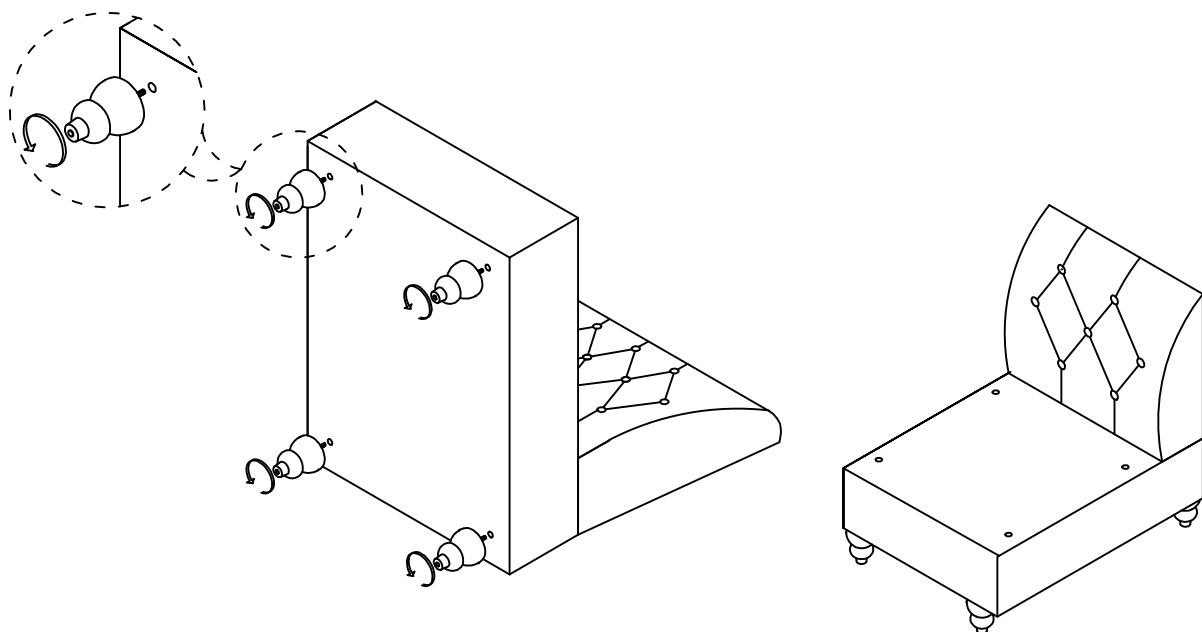
CORNER WEDGE ASSEMBLY INSTRUCTION

STEP 1



ARMLESS CHAIR ASSEMBLY INSTRUCTION

STEP 2



*Stop when the rod starts coming out
on the other end*

SECTIONAL SOFA

SECTIONAL SOFA CAN BE ATTACHED TOGETHER BY "n" SHAPE HANGER AS THE DRAWINGS SHOWN BELOW.

