

# Seduction

SJ4332



## DESCRIPTION

Bound by lustrous metallic cuffs, a glittering chain of Radiance™ Crystal Dust beads create endless luxe scenarios.

## FEATURES

- Driver concealed within the canopy

## CRYSTAL OPTIONS



Radiance  
Crystal  
(R)

## FINISH OPTIONS

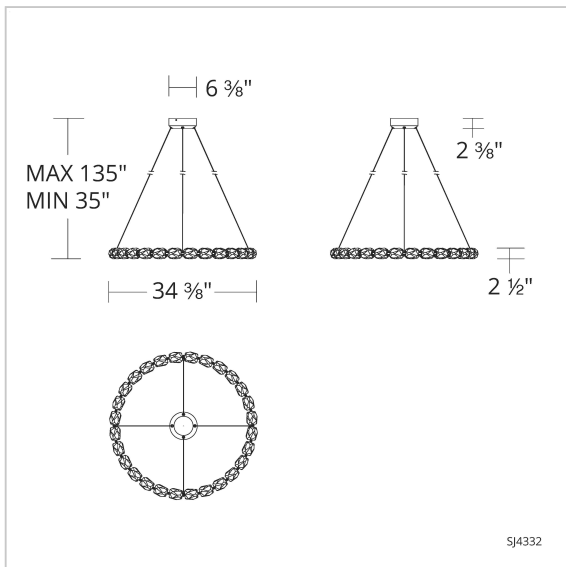


Polished  
Nickel  
(-701)



Aged Brass  
(-700)

## LINE DRAWING



## SPECIFICATIONS

|                     |          |
|---------------------|----------|
| <b>Light Source</b> | LED      |
| <b>Standards</b>    | ETL/cETL |

| Model  | Finish      | Crystal | # of Lights | CCT                   | Weight | Voltage  | Wattage | LED Lumens | Delivered Lumens |
|--------|-------------|---------|-------------|-----------------------|--------|----------|---------|------------|------------------|
| SJ4332 | - 700 - 701 | R       | 28 Light    | 3000K/3500K/<br>4000K | 30lbs  | 120-277V | 47W     | 5534       | Up To 5257       |

Example: SJ4332-701R