

# artos<sup>®</sup>

TA445

INSTALLATION GUIDE

trova towel ring round

BRUSHED NICKEL(BN)



CHROME(CH)



BLACK (BK)



SATIN BRASS (SB)

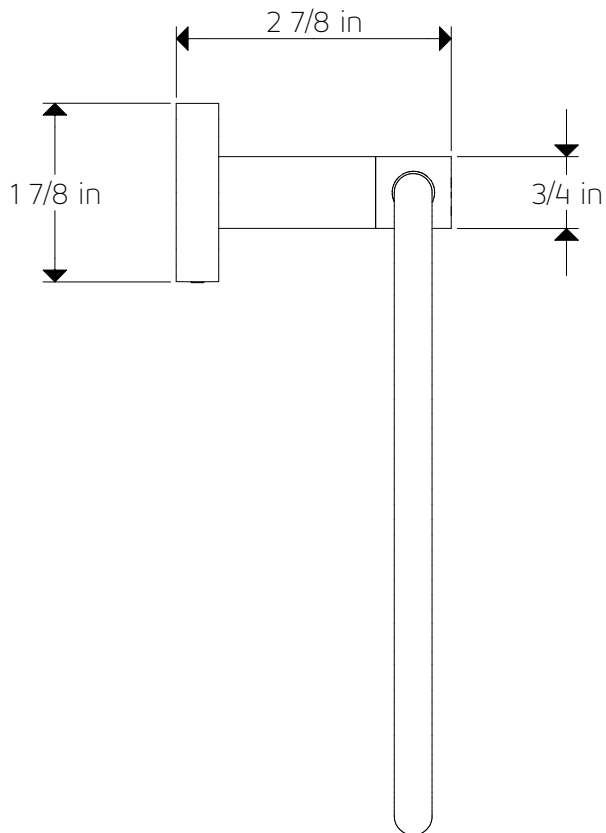
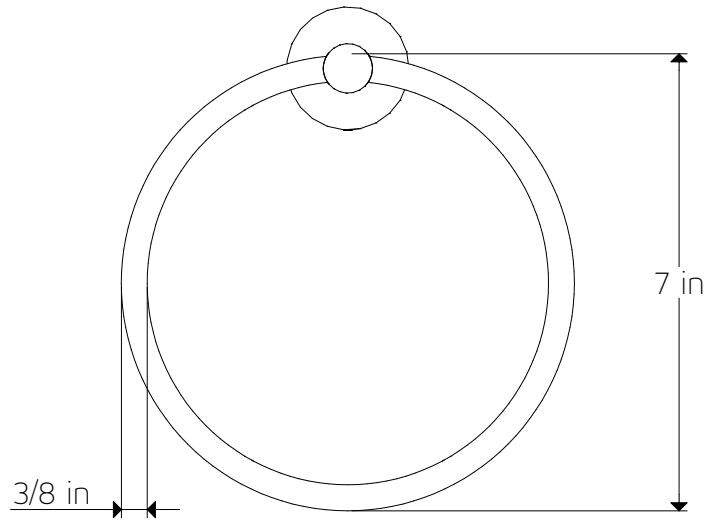


# artos<sup>®</sup>

TA445

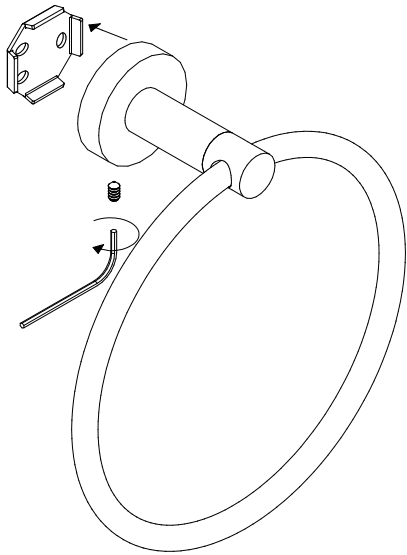
trova towel ring round

## PRODUCT DIMENSIONS

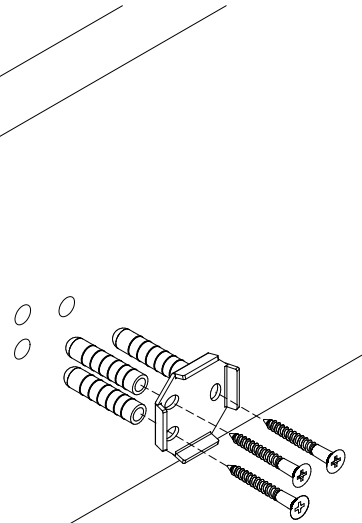


## INSTALLATION STEPS

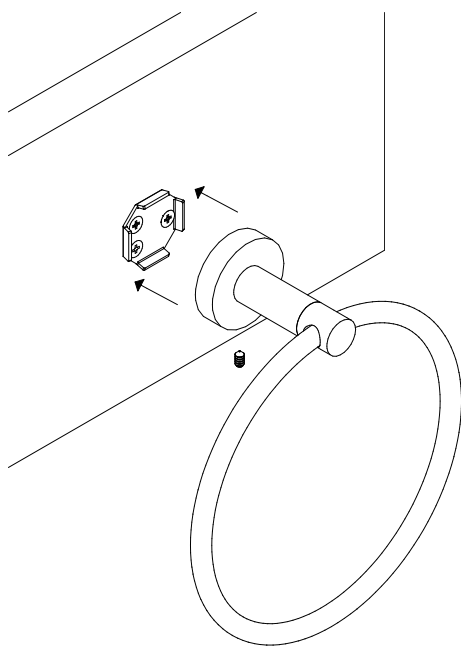
**STEP 1** Loosen the set screw of the body assembly, pull out the mounting bracket.



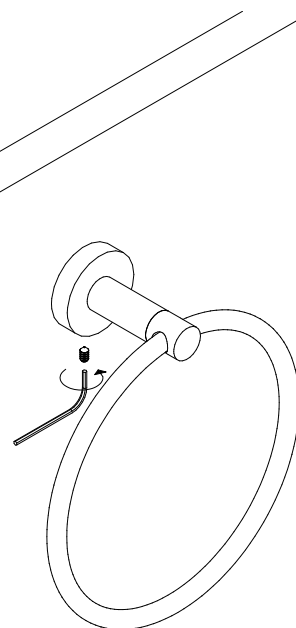
**STEP 2** Install mounting bracket to the wall with screws (supplied) and anchors (if applicable).



**STEP 3** Slide body assembly onto mounting bracket.



**STEP 4** Tighten set screw with allen key (supplied)

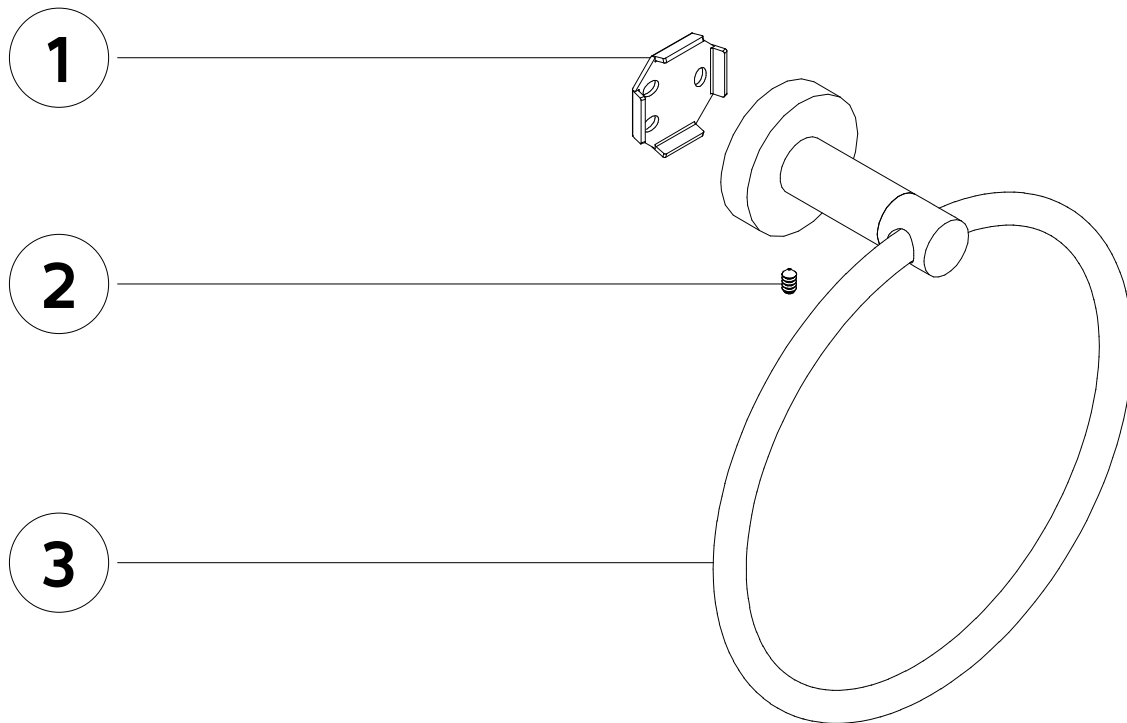


# artos<sup>®</sup>

TA445

**PARTS BREAKDOWN**

trova towel ring round



- 1 MOUNTING BRACKET**
- 2 SET SCREW**
- 3 TOWEL RING**