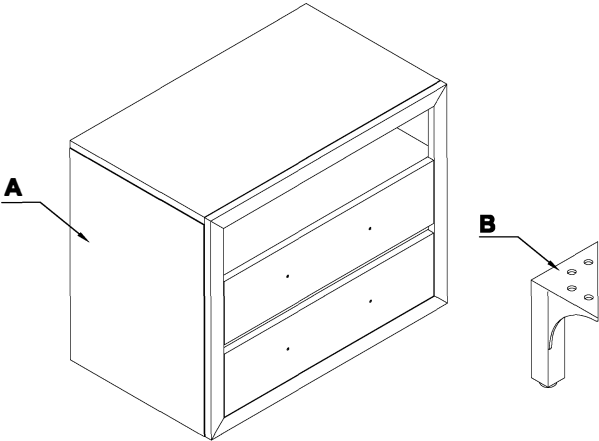






NIGHTSTAND ASSEMBLY INSTRUCTIONS

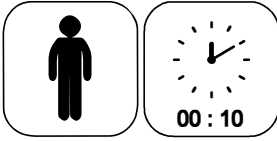
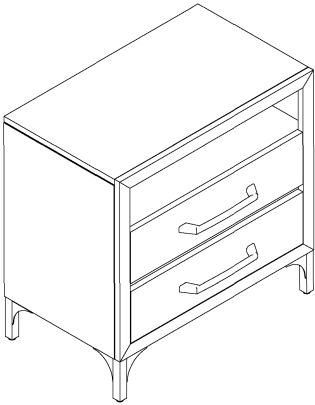


A. CABINET 1PC
B. LEGS 4PCS

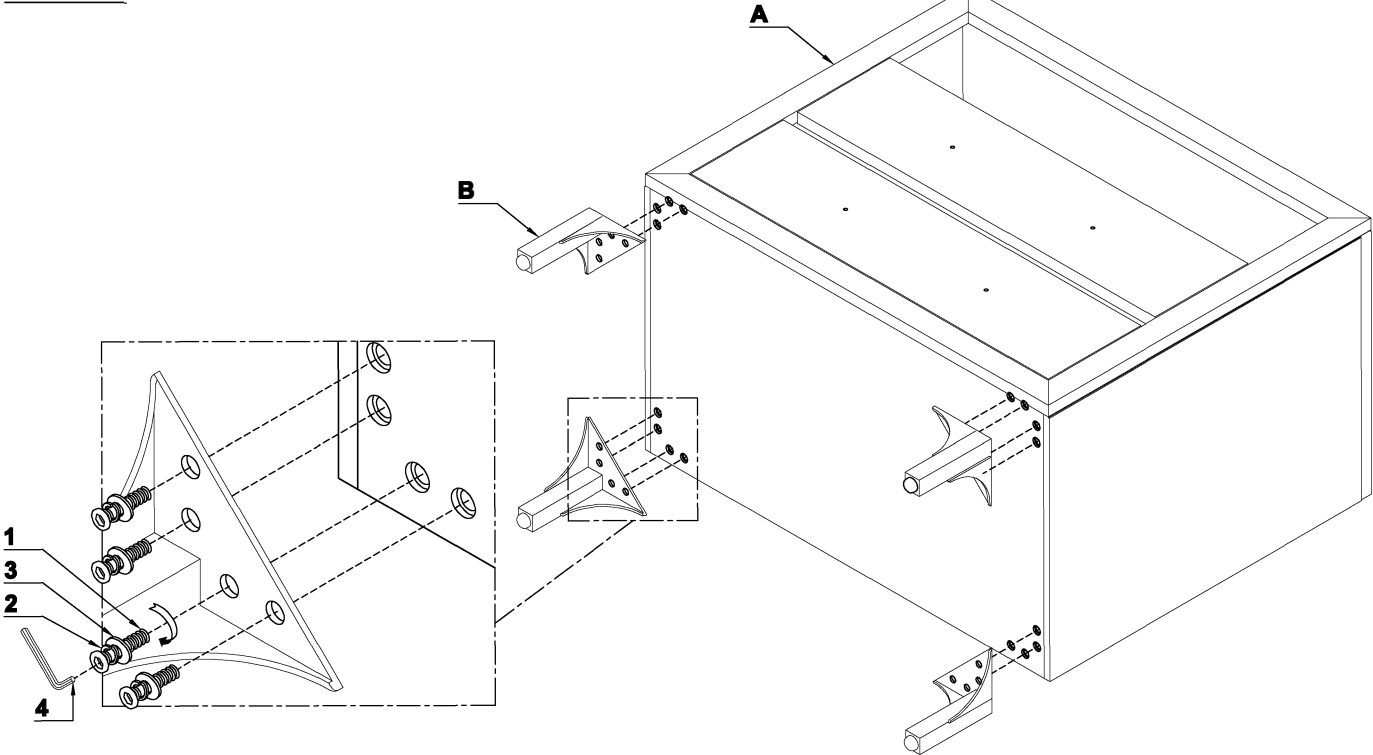
HARDWARE

1	ALLEN BOLT (M6x15)		16 PCS
2	SPRING WASHER (M6)		16 PCS
3	FLAT WASHER (M6x16)		16 PCS
4	ALLEN KEY (M4)		1 PC

ASSEMBLY COMPLETE

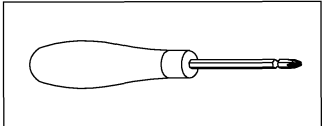


STEP 1:



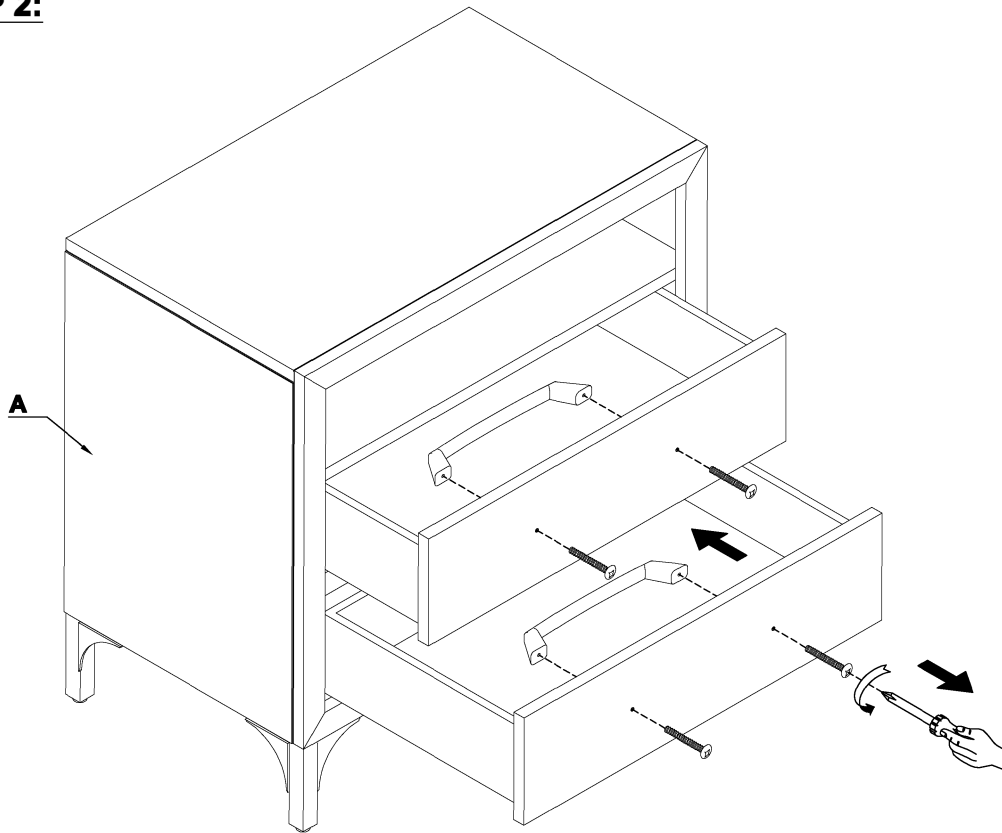
TOOL REQUIRED

PHILLIPS HEAD SCREW
DRIVER NOT PROVIDED



NIGHTSTAND ASSEMBLY INSTRUCTIONS

STEP 2:



STEP 3:

