

TV Lift Cabinet

CASE-EUP1WN

Assembly Manual

**** DO NOT RETURN ITEM ****

Contact Us First!

Our friendly US-Based Product Support Team to help!



We're Here For You

Monday-Friday from 7am-7pm CST
Saturday 8am-4pm CST

US-Based Customer Support from Trained Professionals



Email Us

help@vivo-us.com



Chat with Live Agent

www.vivo-us.com



Give Us a Call

309-278-5303 ext. 1

Assembly Video Available

Navigate to the middle of the product page to watch as our product specialists walk you through the assembly process.

www.vivo-us.com/products/case-eup1wn



WATCH NOW



PLEASE READ



General Notice:

If you do not understand these directions, or if you have any doubts about the safety of the installation, please contact our product support team at 309-278-5303 or help@vivo-us.com for further assistance. Check carefully to make sure there are no missing or defective parts. Improper installation may cause damage or serious injury. Do not use this product for any purpose that is not explicitly specified in this manual. Do not exceed weight capacity. We cannot be liable for damage or injury caused by improper mounting, incorrect assembly or inappropriate use.

Missing Parts:

If any parts are received damaged / defective OR you are missing a part, please reach out to us ***within 30 days of product delivery to have it replaced at no cost.*** **PLEASE NOTE:** Failure to report missing parts within the stated time frame ***may result in denial of free replacement.***

Returns:

We offer a hassle-free 30 day return on all products. Contact customer support at 309-278-5303 or help@vivo-us.com. Please note: For items ordered in error or no longer needed, the return shipping charges will be at the buyer's expense.

Product Specific Warnings:



WARNING: CHOKING HAZARD

SMALL PARTS - NOT FOR CHILDREN UNDER 3 YEARS. ADULT SUPERVISION IS REQUIRED.



DO NOT EXCEED WEIGHT CAPACITY

FAILURE TO DO SO MAY RESULT IN SERIOUS INJURY.



WARNING: DO NOT INSTALL INTO DRYWALL ALONE

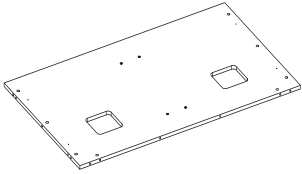
VERIFY YOUR WALL CONSTRUCTION. USE DRYWALL ANCHORS TO MOUNT. We include mounting for brick and concrete walls. If unsure, please contact us at vivo-us.com, email at help@vivo-us.com, or call us at 309-278-5303.



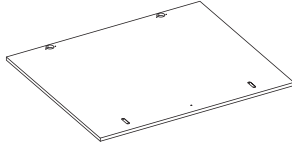
WARNING: DO NOT INSTALL INTO WOOD STUD WALLS

THIS MOUNT CAN ONLY BE INSTALLED INTO BRICK/CONCRETE WALLS OR DRYWALL AND IS NOT INTENDED FOR WOOD STUD WALLS.

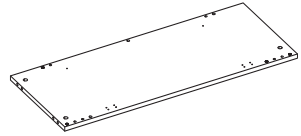
Package Contents



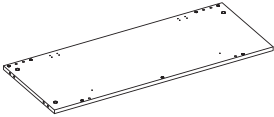
A (x1)
Back Panel



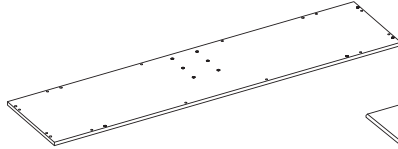
B (x2)
Door



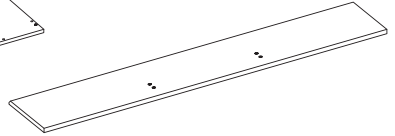
C (x1)
Right Panel



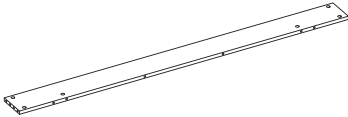
D (x1)
Left Panel



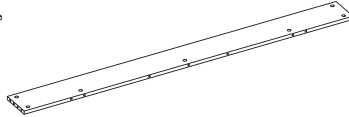
E (x1)
Bottom Panel



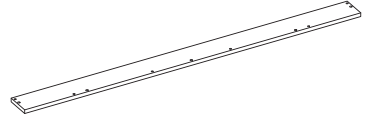
F (x1)
Lifting Panel



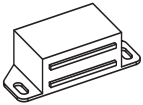
G (x1)
Bottom Skirt



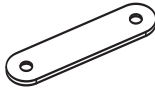
H (x1)
Top Skirt



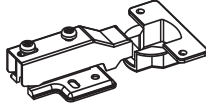
I (x1)
Top Panel



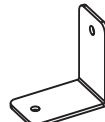
J (x2)
Magnet



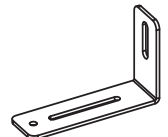
K (x2)
Door Plate



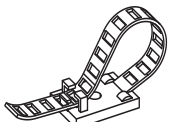
L (x4)
Hinge



M (x4)
Support Brace



N (x2)
Wall Bracket



O (x8)
Cable Tie



P (x2)
Door Knob



Q (x6)
Sticker



R (x4)
Door Pad



S (x4)
Hinge Cover

Included Hardware & Tools



S-A (x30)
M8 Wooden
Dowel Pins



S-B (x27)
Cam Lock
Screw



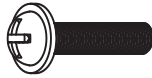
S-C (x27)
Cam Lock
Nut



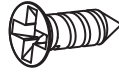
S-D (x6)
M6x50mm
Screw



S-E (x8)
M6x12mm
Screw



S-F (x2)
M4x20mm
Screw



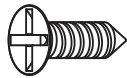
S-G (x8)
ST2.9x9.5mm
Screw



S-H (x8)
ST4.2x13mm
Screw



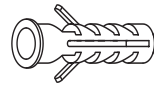
S-I (x4)
ST4.2x16mm
Round Head Screw



S-J (x32)
ST4.2x16mm
Flat Head Screw



W-A (x2)
ST6.3x55mm
Screw



W-B (x2)
Concrete
Anchor

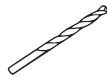
Tools Needed:



**Phillips
Screwdriver**



Drill



**3/8" (10mm)
Drill Bit**



**10mm Socket
Wrench**

Weight Capacity:

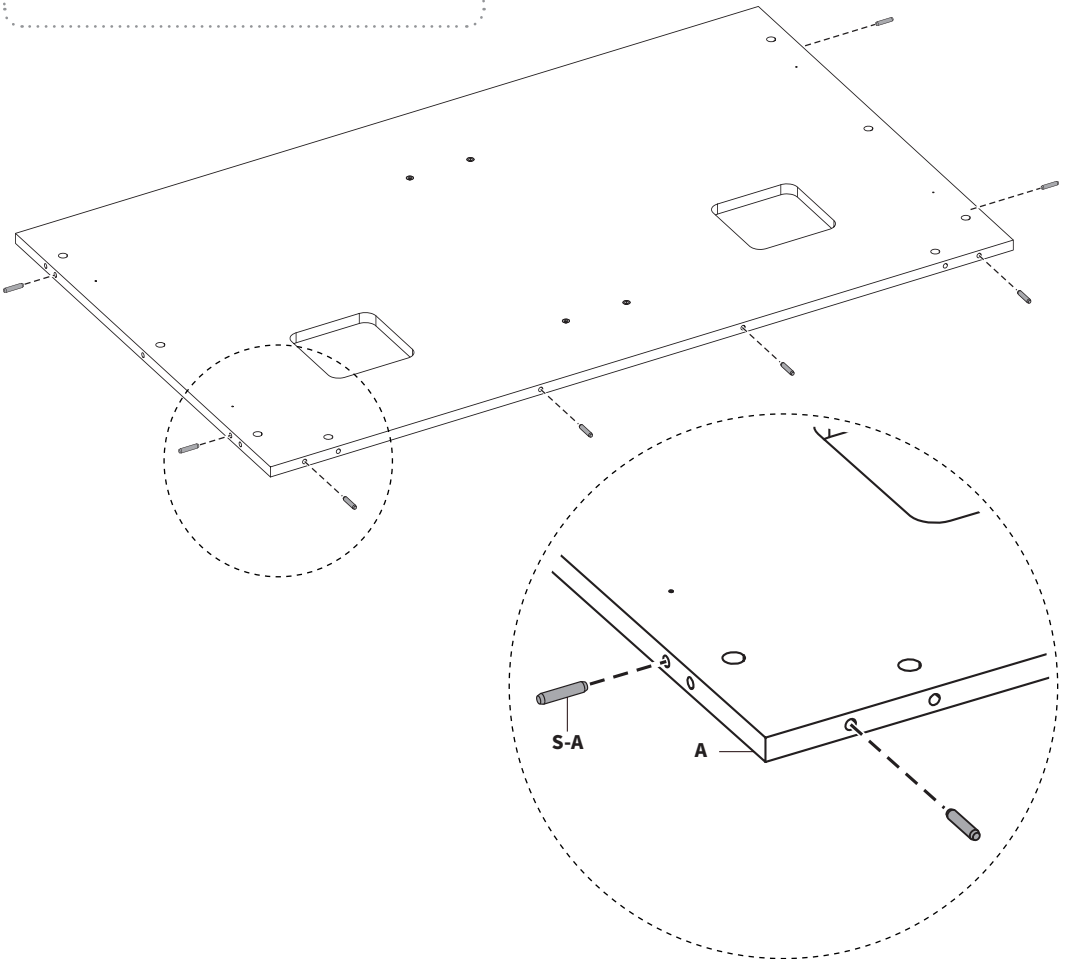
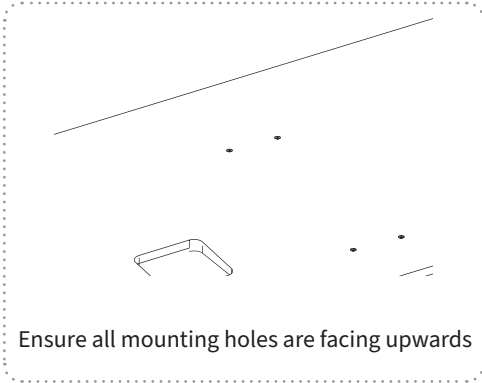


**44lbs
(20kg)**

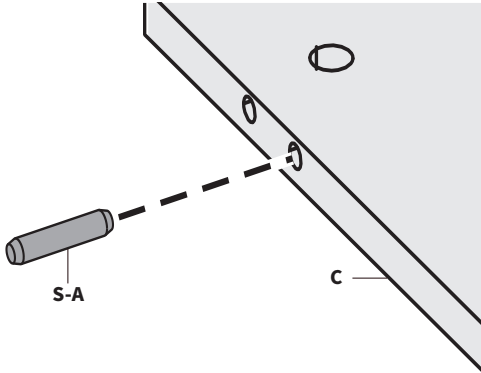
Assembly Steps

STEP 1

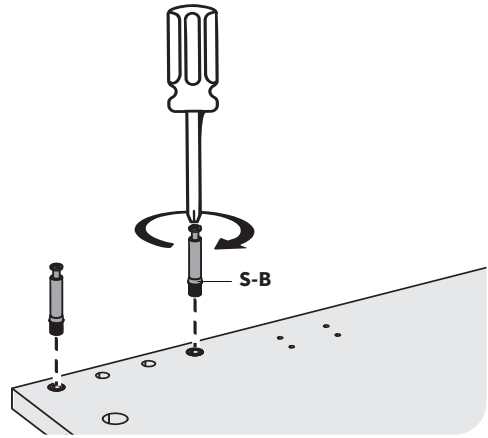
Lay Back Panel (**A**) down on protective surface. Insert Wooden Dowel Pins (**S-A**) into Back Panel.



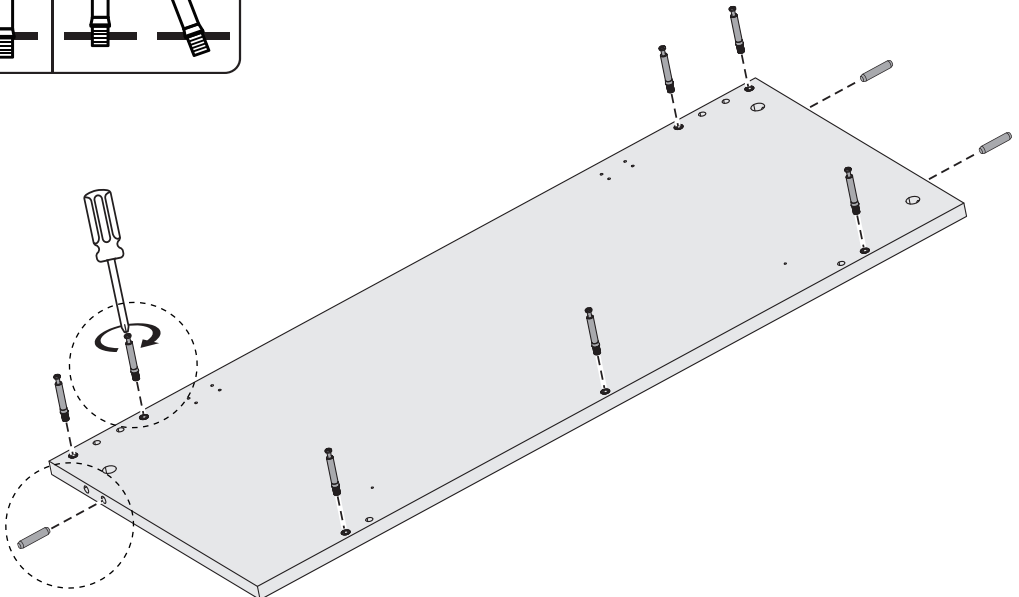
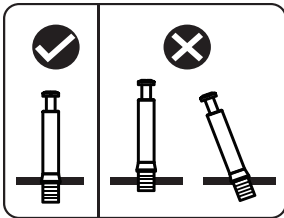
STEP 2



Insert three Wooden Dowel Pins (**S-A**) into Right Panel (**C**).

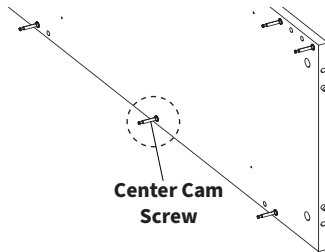


Thread Cam Lock Screws (**S-B**) into Right Panel.



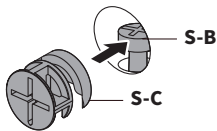
STEP 3

Insert Right Panel (**C**) into Back Panel (**A**). Secure by inserting Cam Lock Nuts (**S-C**).

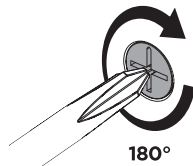


Bottom end of Right Panel can be identified by **Center Cam Screw**. This end will attach to the side of Back Panel.

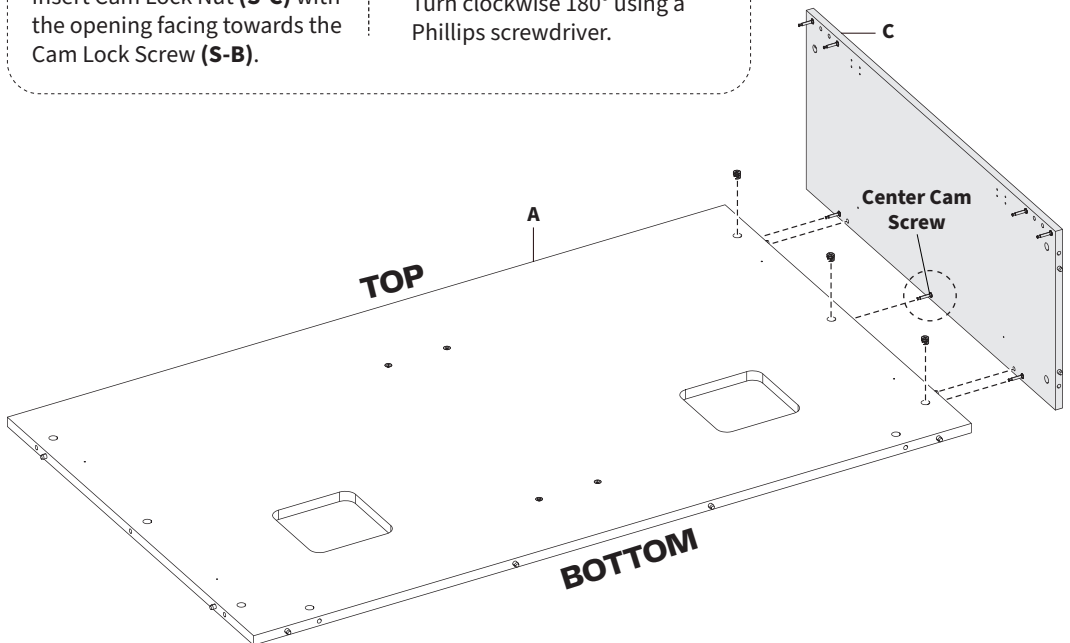
How to Install Cam Lock Nuts



Insert Cam Lock Nut (**S-C**) with the opening facing towards the Cam Lock Screw (**S-B**).

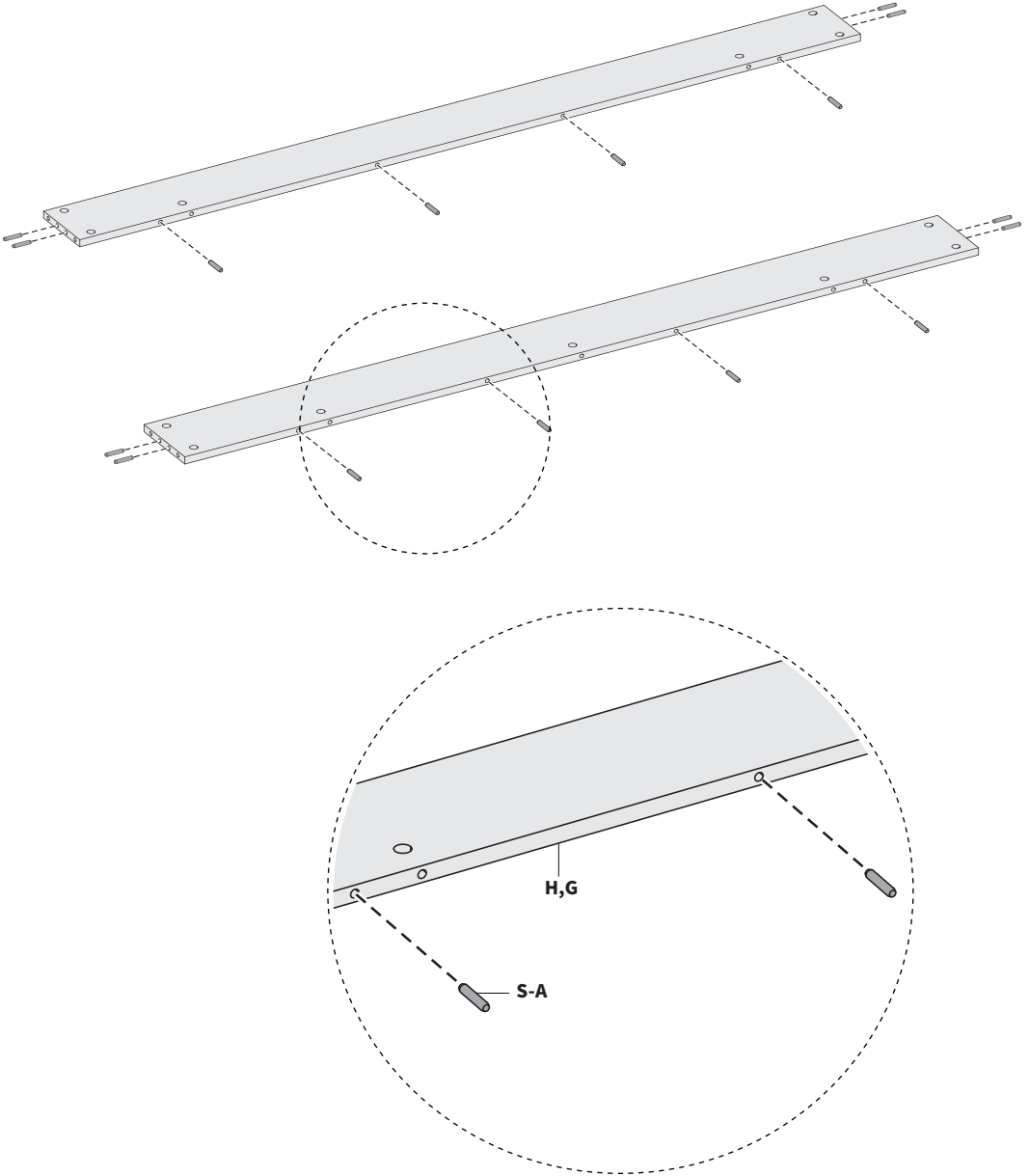


Turn clockwise 180° using a Phillips screwdriver.

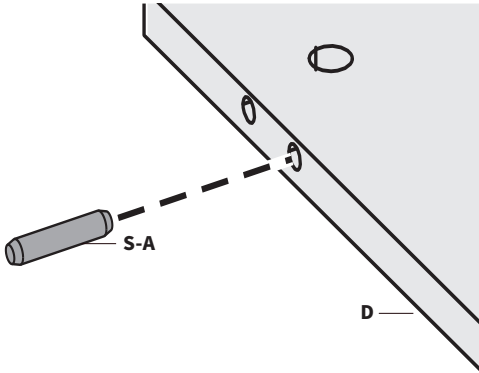


STEP 4

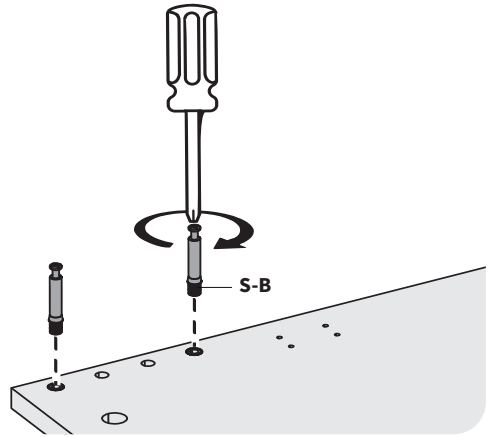
Insert Wooden Dowel Pins (**S-A**) into Top and Bottom Skirts (**H,G**).



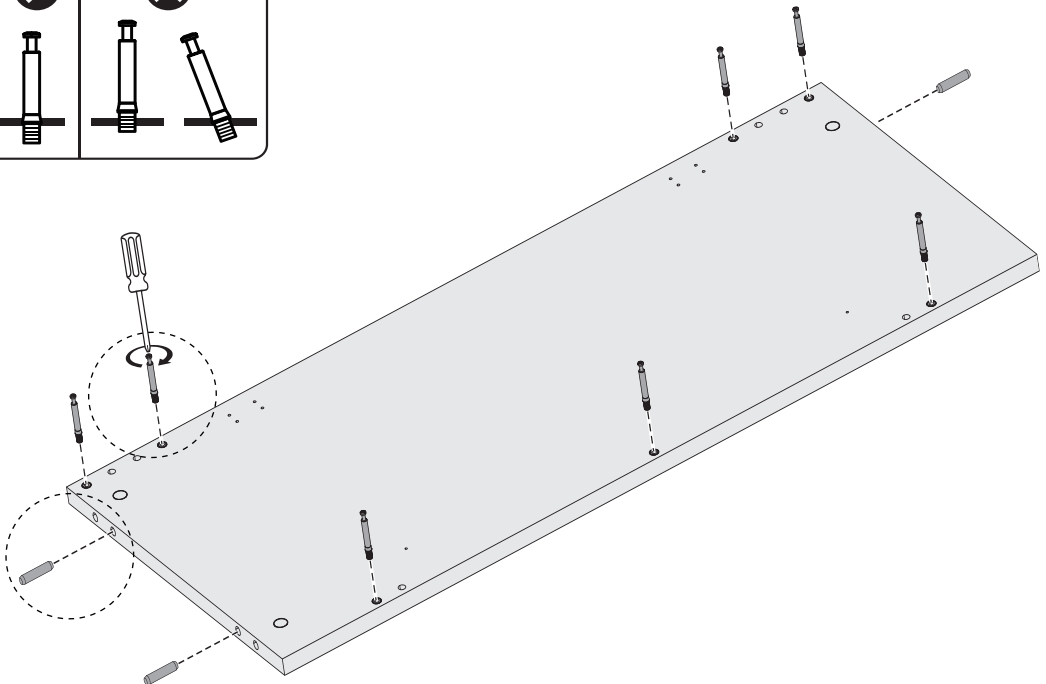
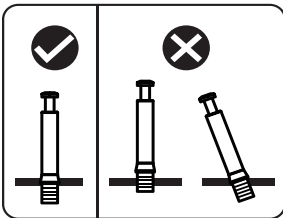
STEP 5



Insert three Wooden Dowel Pins (**S-A**) into Left Panel (**D**).



Thread Cam Lock Screws (**S-B**) into Left Panel.



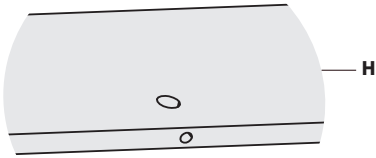
STEP 6

Insert Top Skirt (**H**) into top side of Right Panel (**C**). Then, insert Bottom Skirt (**G**) into bottom side of Right Panel.



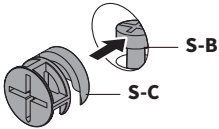
**2 Person Assembly
Recommended**

How to Identify the Skirts

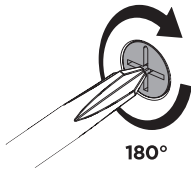


The Top Skirt (**H**) features an additional set of cam lock holes near the center.

How to Install Cam Lock Nuts

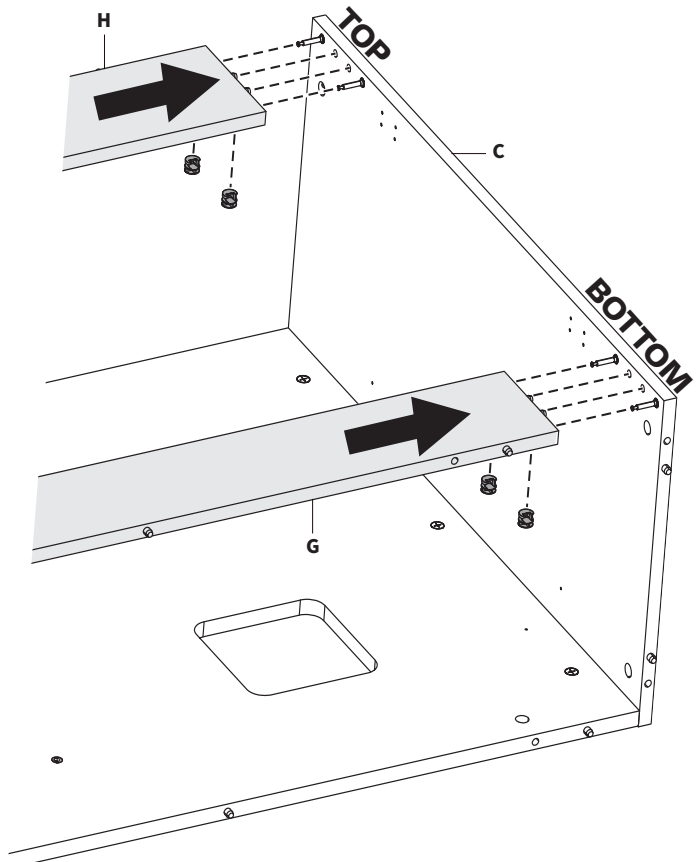


Insert Cam Lock Nut (**S-C**) with the opening facing towards the Cam Lock Screw (**S-B**).



180°

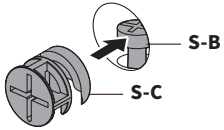
Turn clockwise 180° using a Phillips screwdriver.



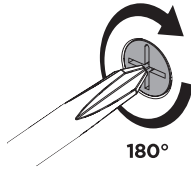
STEP 7

Insert Left Panel (**D**) into left side of Cabinet Assembly. Secure by inserting Cam Lock Nuts (**S-C**).

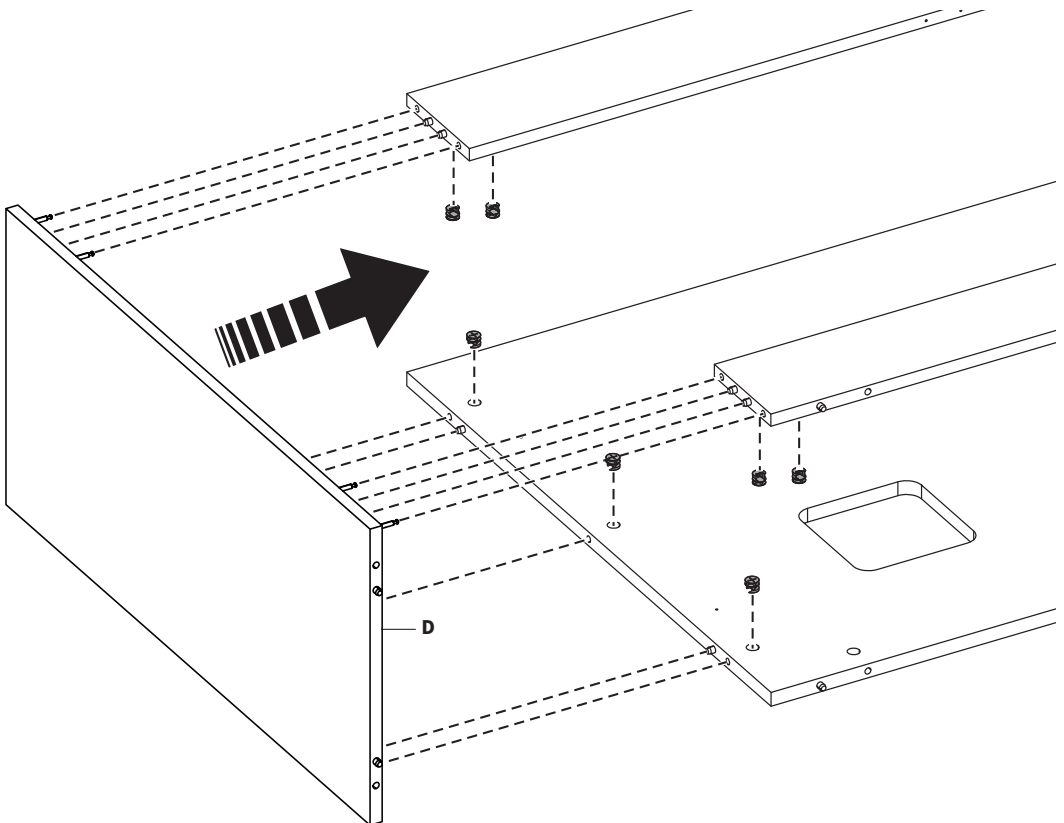
How to Install Cam Lock Nuts



Insert Cam Lock Nut (**S-C**) with the opening facing towards the Cam Lock Screw (**S-B**).

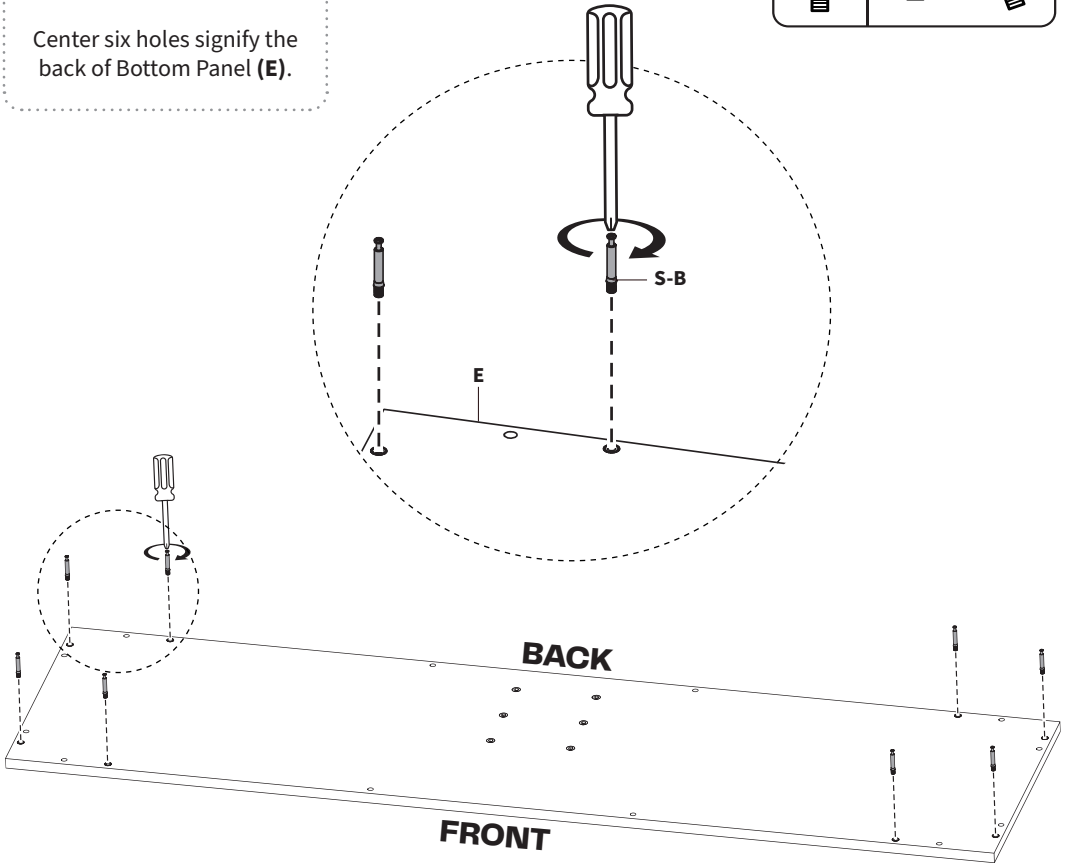
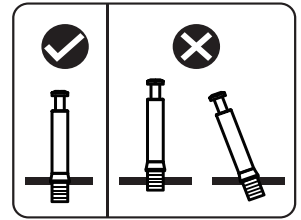
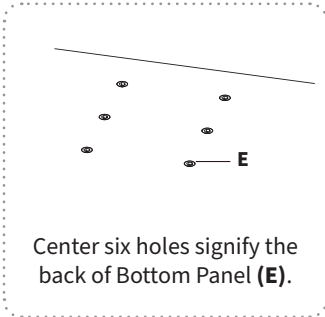


Turn clockwise 180° using a Phillips screwdriver.



STEP 8

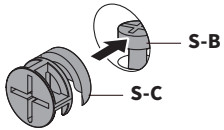
Thread Cam Lock Screws (**S-B**) into corresponding holes on Bottom Panel (**E**) using a Phillips screwdriver.



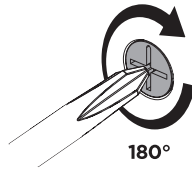
STEP 8 - Cont'd

Attach Bottom Panel (**E**) onto bottom of Cabinet Assembly. Secure by inserting Cam Lock Nuts (**S-C**).

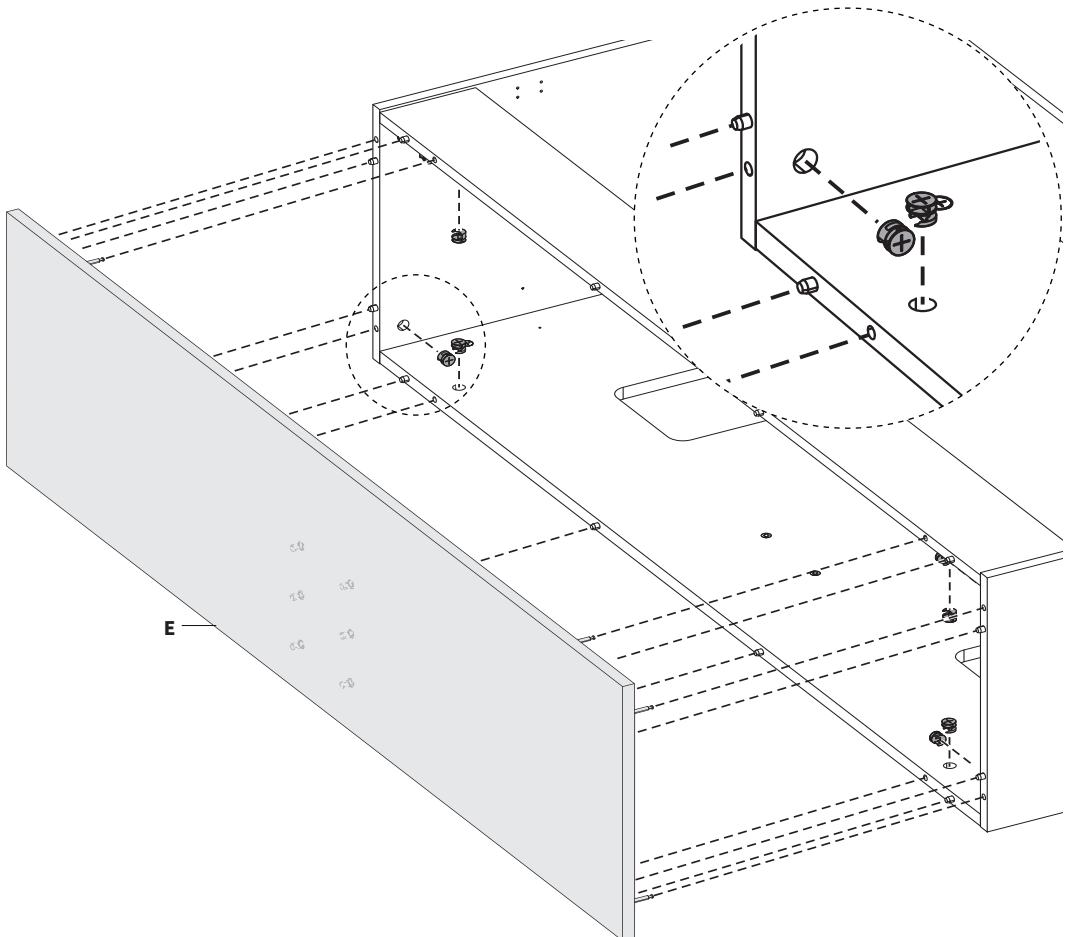
How to Install Cam Lock Nuts



Insert Cam Lock Nut (**S-C**) with the opening facing towards the Cam Lock Screw (**S-B**).

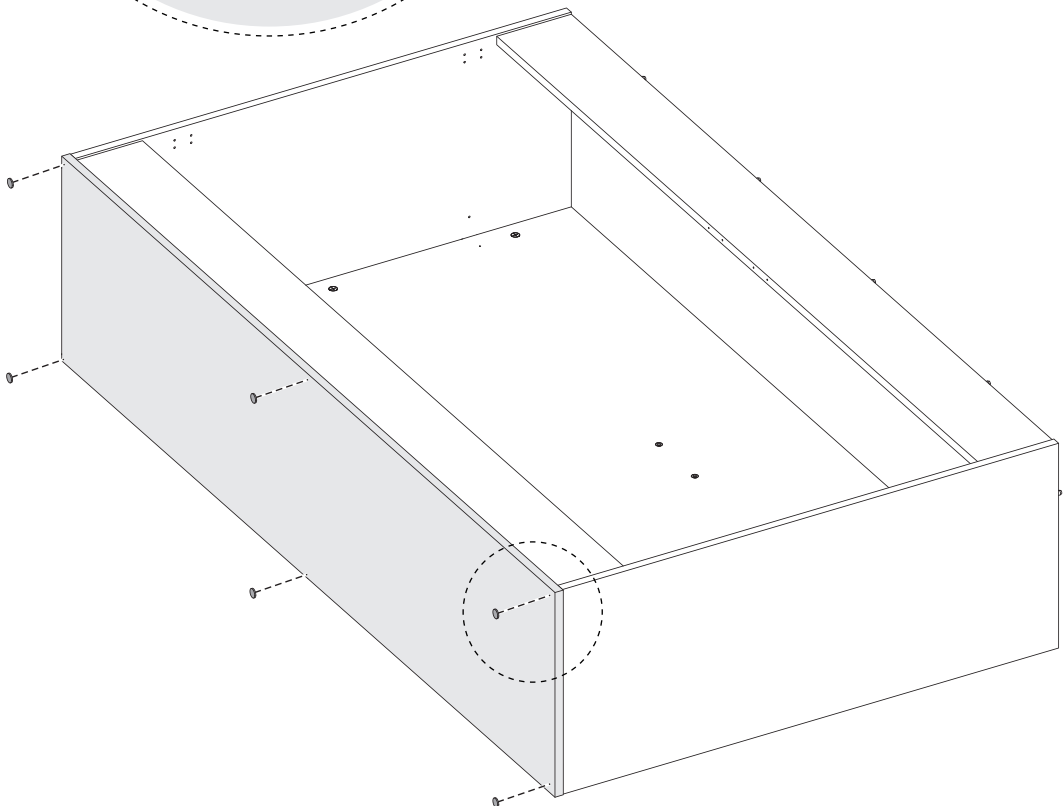
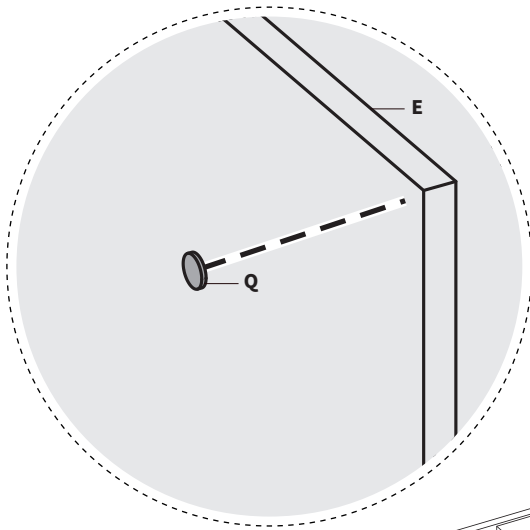


Turn clockwise 180° using a Phillips screwdriver.



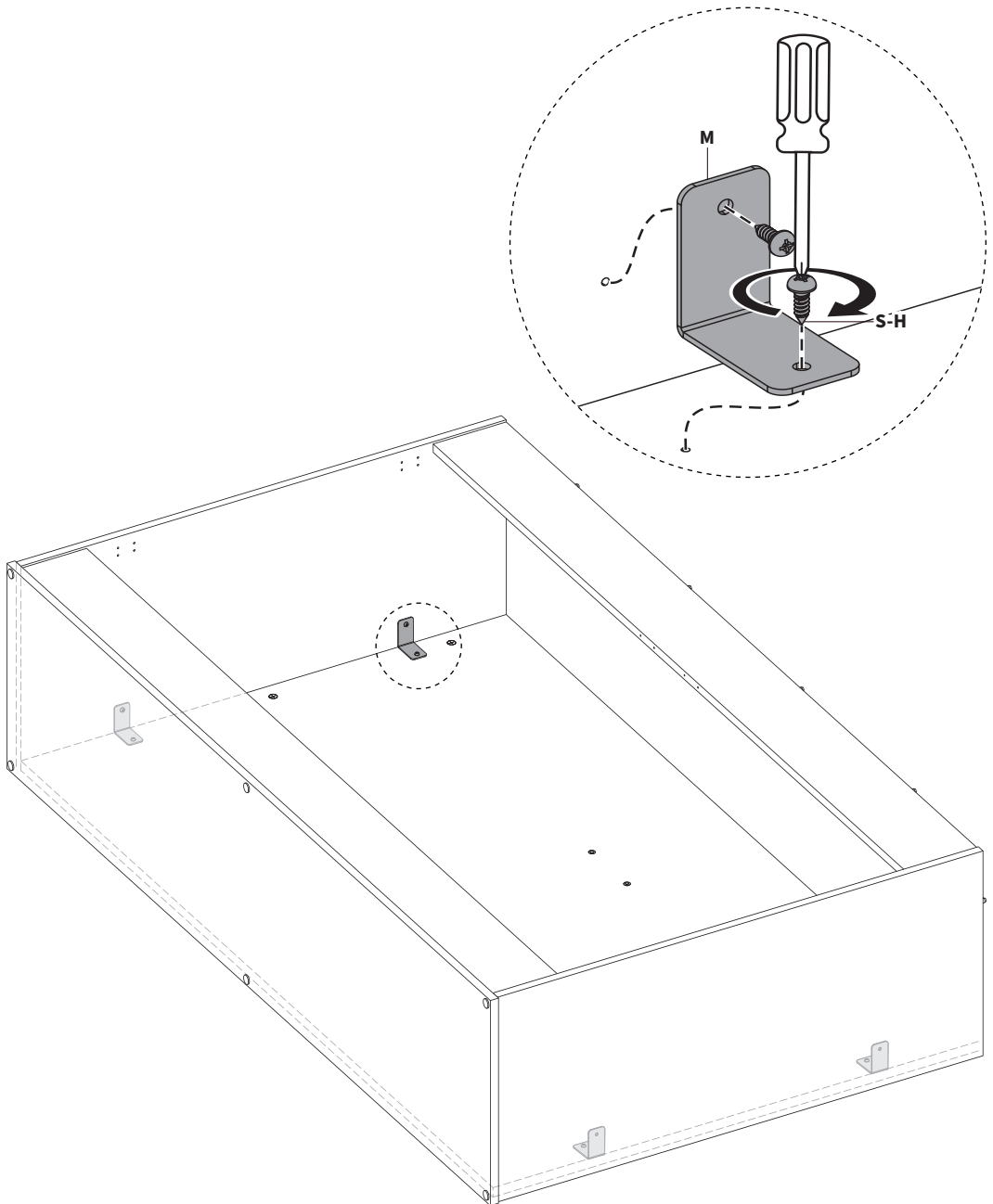
STEP 9

Remove adhesive backing from Stickers (**Q**) and apply to Bottom Panel (**E**).



STEP 10

Using ST4.2x13mm Screws (**S-H**) and a Phillips screwdriver, secure Support Braces (**M**) to inside corners of Cabinet Assembly.



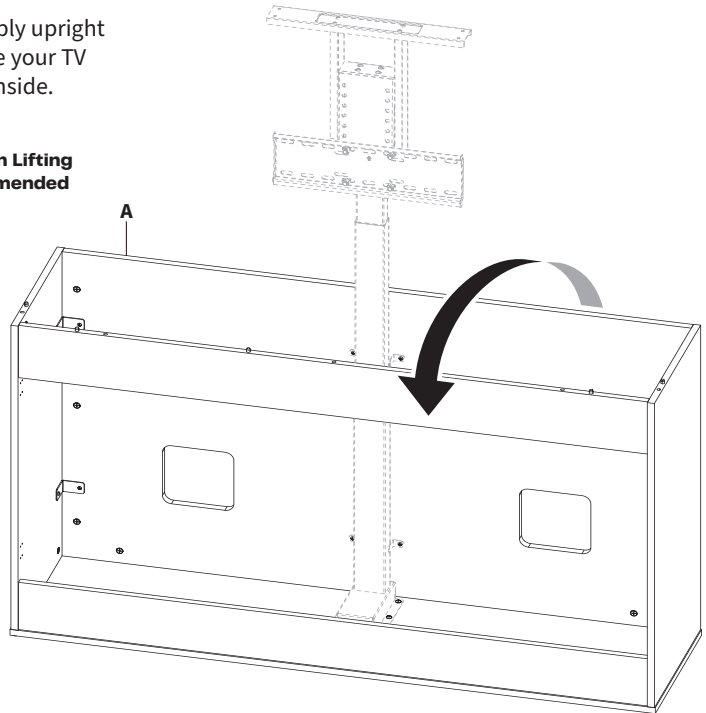
STEP 11

11.1

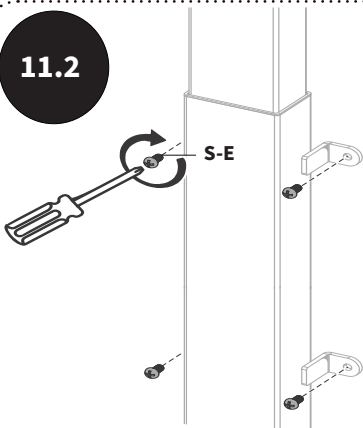
Flip Cabinet Assembly upright against a wall. Place your TV Lift (not included) inside.



2 Person Lifting Recommended

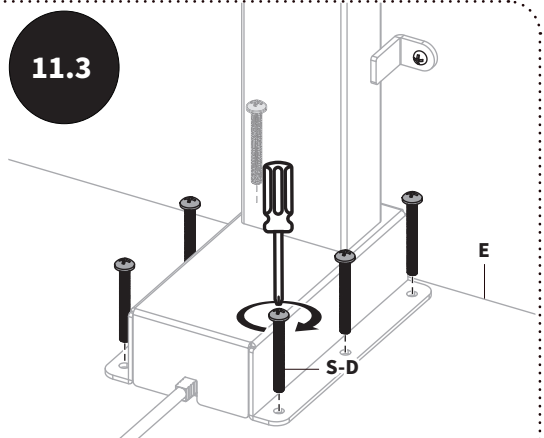


11.2



Secure your TV Lift (not included) to the Back Panel (A) using M6x12mm Screws (S-E) and a Phillips screwdriver.

11.3



Secure your TV Lift to Bottom Panel (E) using M6x50mm Screws (S-D) and a Phillips screwdriver.

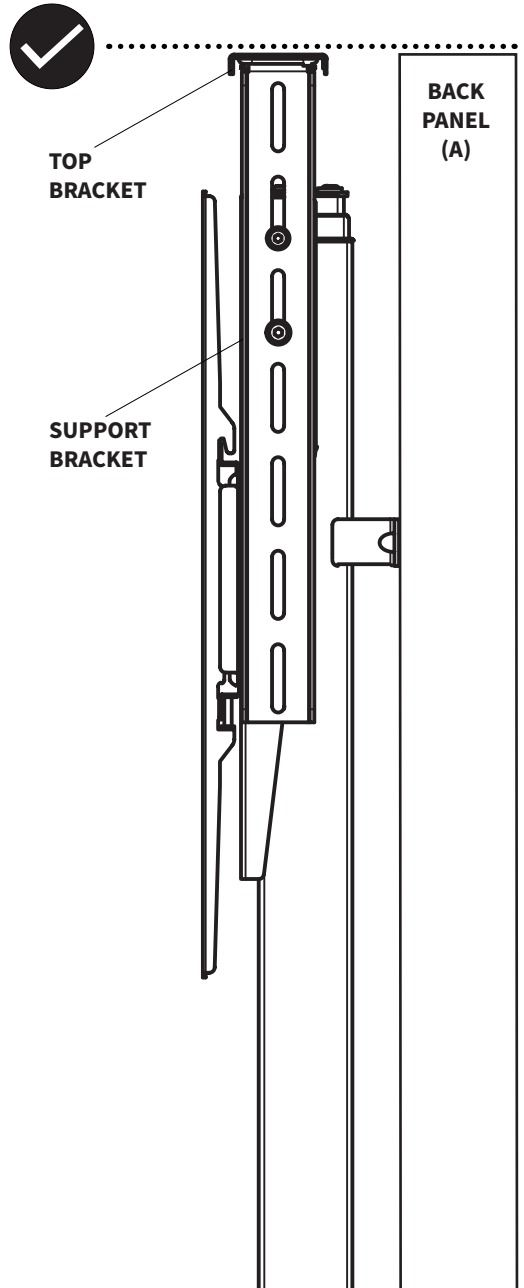
STEP 12

Lower the TV Lift to its lowest position and check the fit. The goal is for the **Top Bracket** to be flush with the top of the Back Panel (**A**). Once verified, raise your TV Lift to the highest position in preparation of the next step.



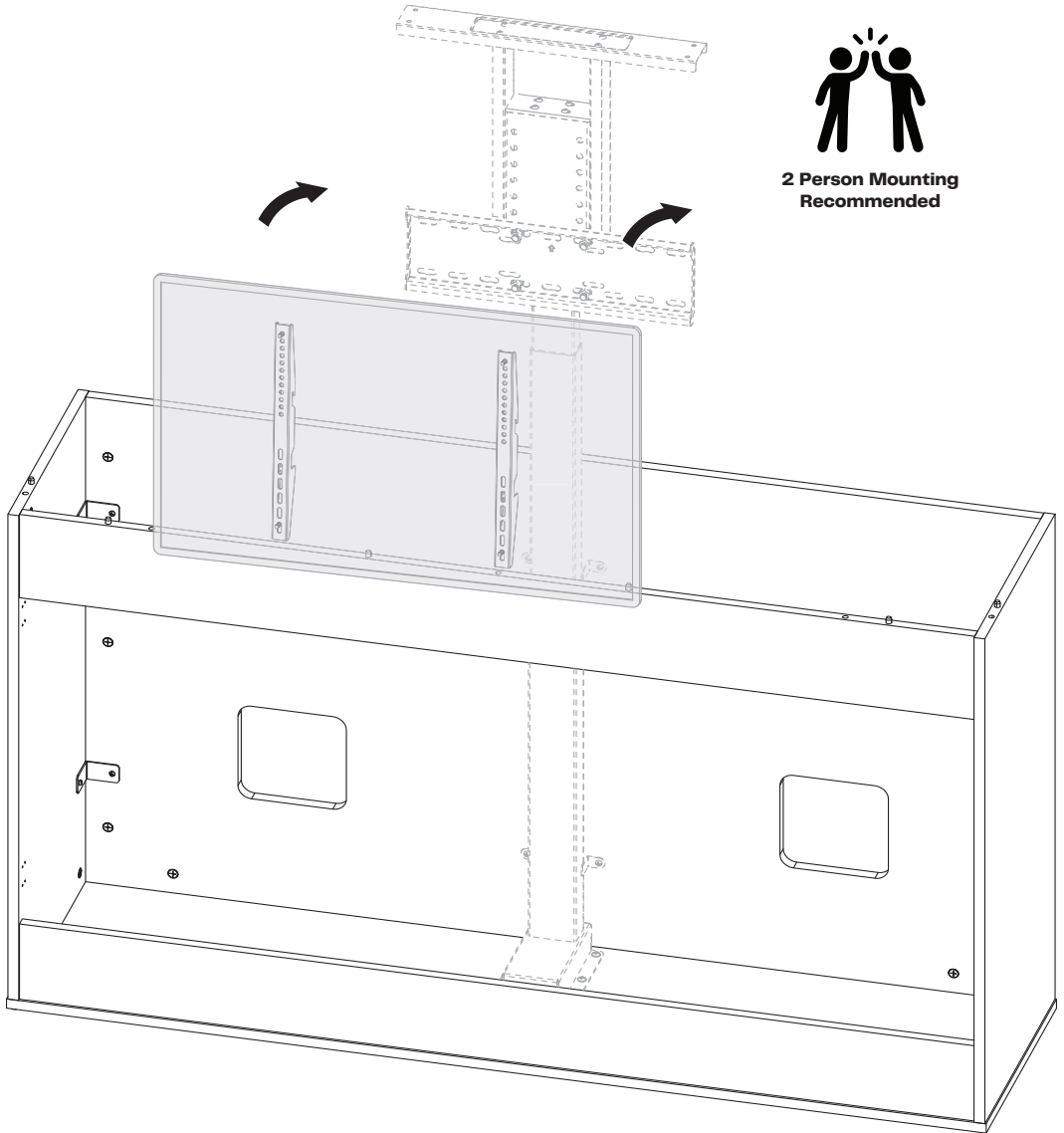
Top Bracket Not Flush?

Follow instructions from your TV Lift manual on how to reattach the **Support Brackets**. Once complete, repeat the test process until the **Top Bracket** sits flush with the Back Panel.



STEP 13

Secure TV to the TV Lift using the instructions from your lift's manual.



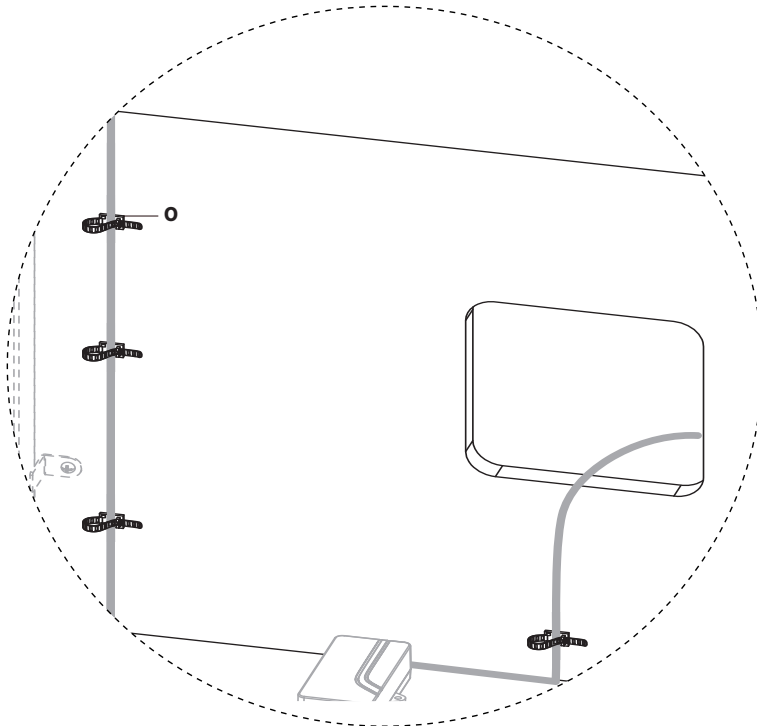
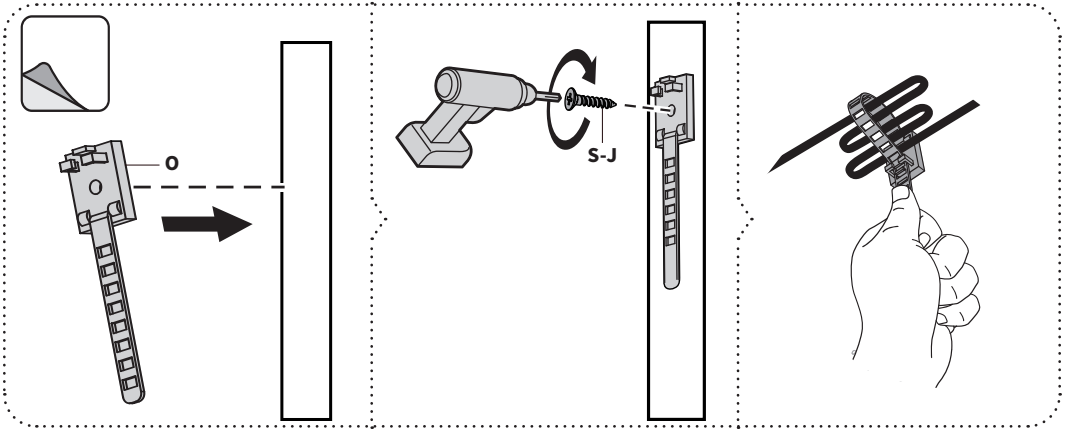
**2 Person Mounting
Recommended**

STEP 14

Remove adhesive backing from Cable Ties (**O**) and apply along your cable route.

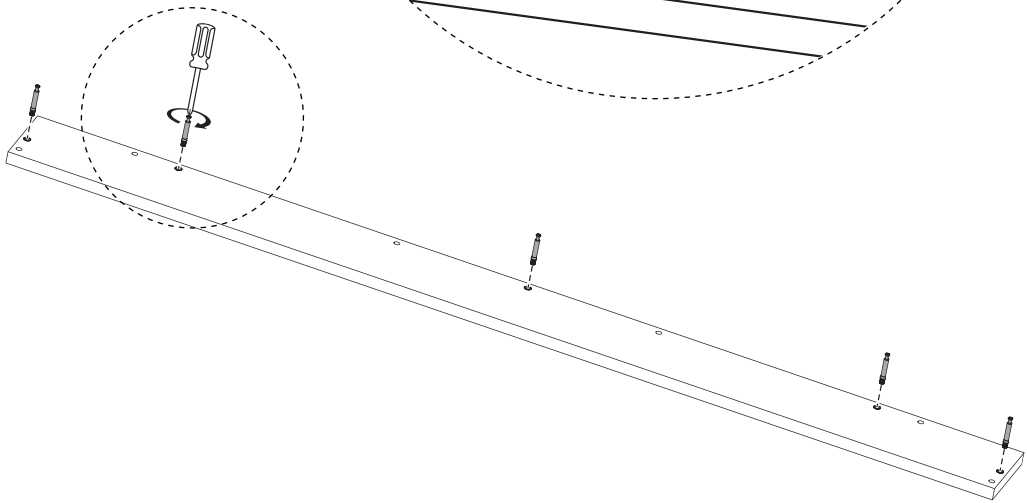
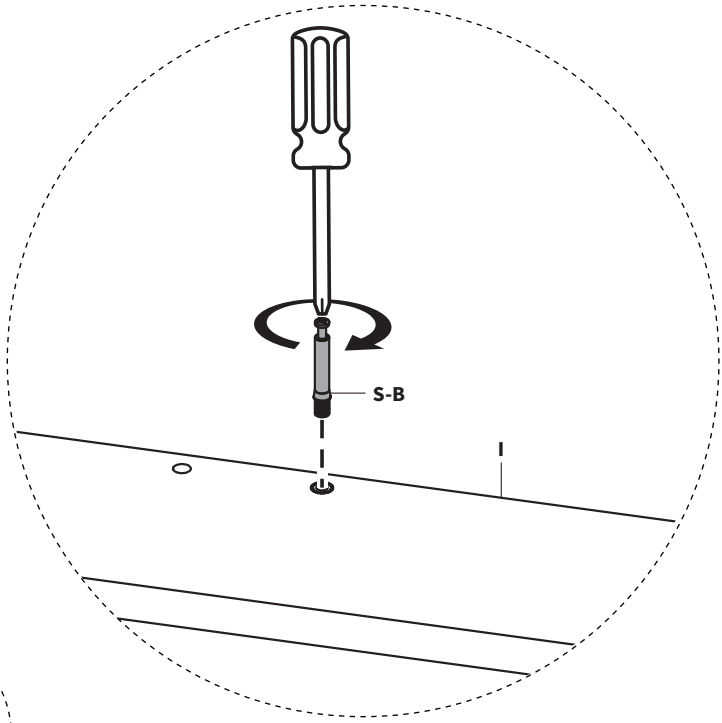
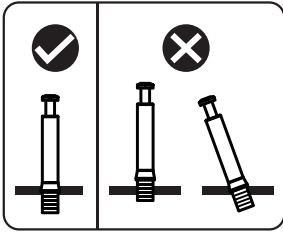


*Cable Ties can also be secured using ST4.2x16mm Flat Head Screws (**S-J**) and a Drill.*



STEP 15

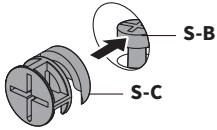
Thread Cam Lock Screws (**S-B**) into Top Panel (**I**).



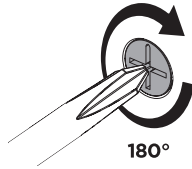
STEP 15 - Cont'd

Insert Top Panel into top of Cabinet Assembly. Secure using Cam Lock Nuts (**S-C**).

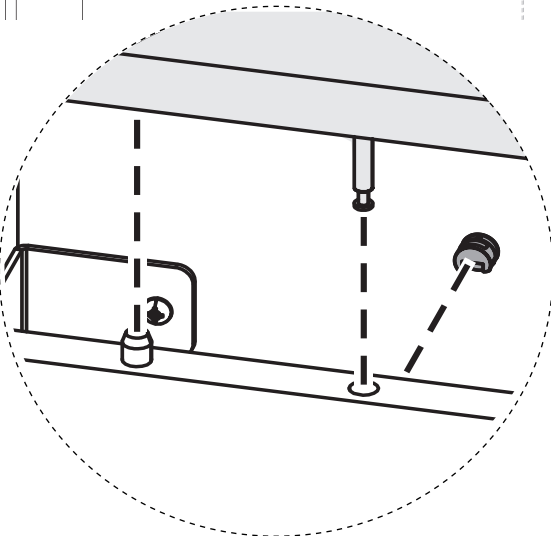
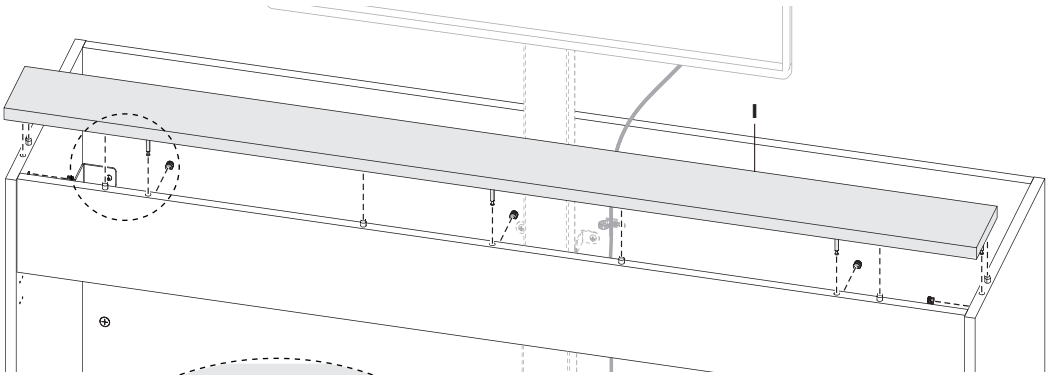
How to Install Cam Lock Nuts



Insert Cam Lock Nut (**S-C**) with the opening facing towards the Cam Lock Screw (**S-B**).

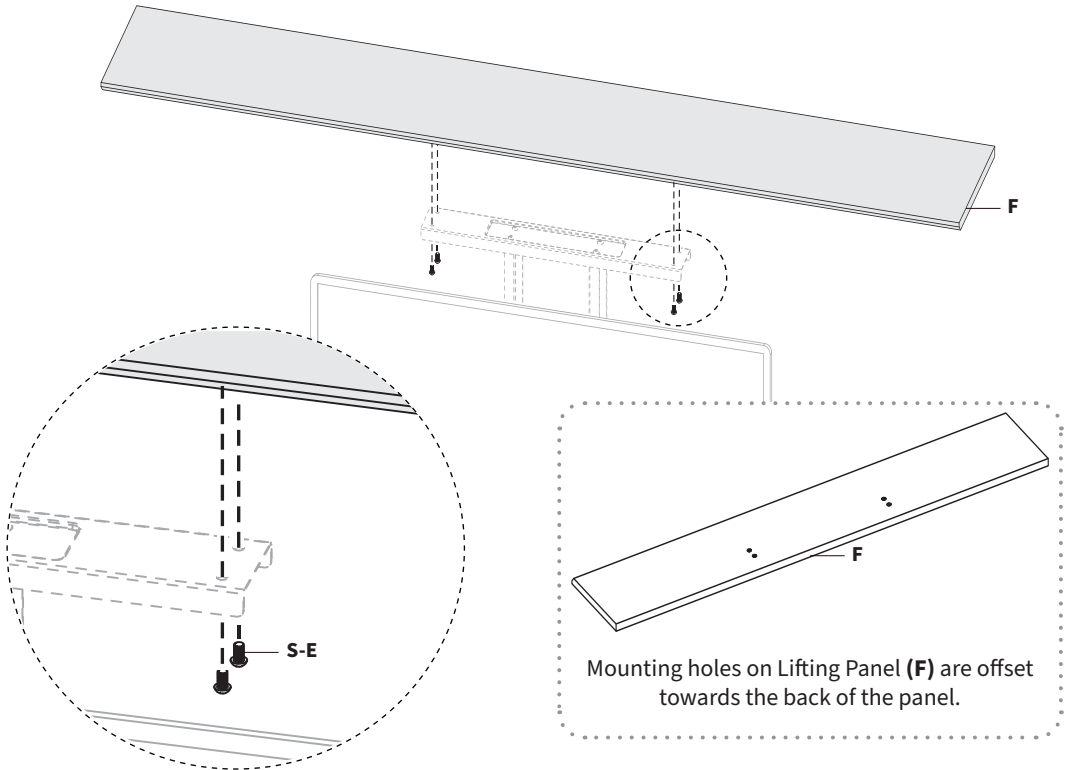


Turn clockwise 180° using a Phillips screwdriver.

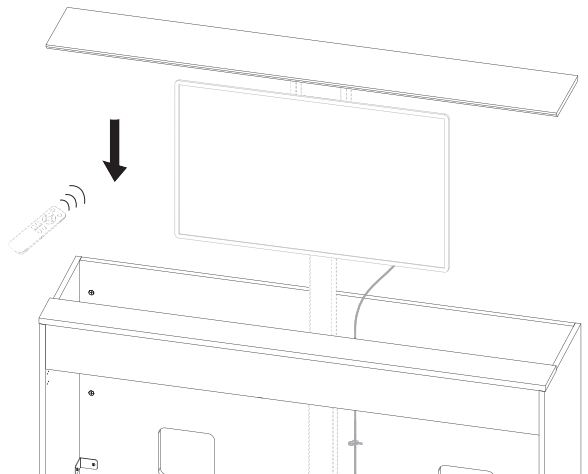


STEP 16

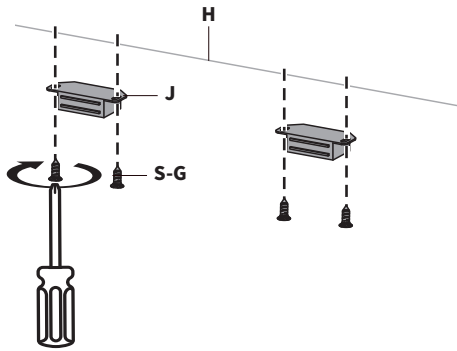
Secure Lifting Panel (**F**) to top of your TV Lift using M6x12mm Screws (**S-E**) and a Phillips screwdriver.



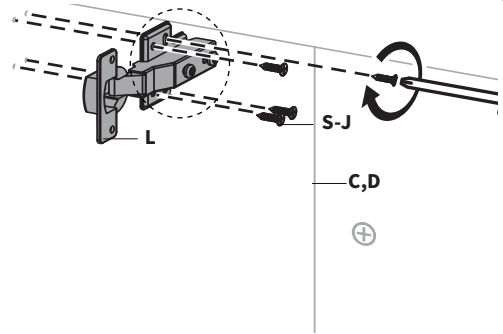
Fully lower TV Lift into Cabinet Assembly.



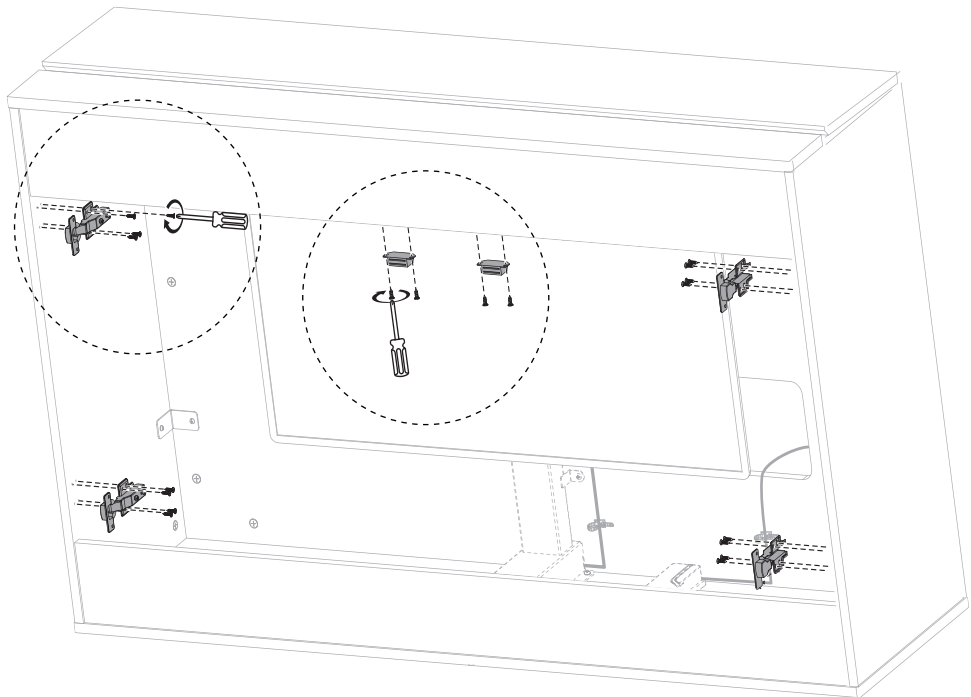
STEP 17



Secure Magnets (**J**) to bottom of Top Skirt (**H**) using ST2.9x9.5mm Screws (**S-G**) and Phillips screwdriver.



Install Hinges (**L**) to Side Panels (**C,D**) using ST4.2x16mm Flat Head Screws (**S-J**) and a Phillips screwdriver.



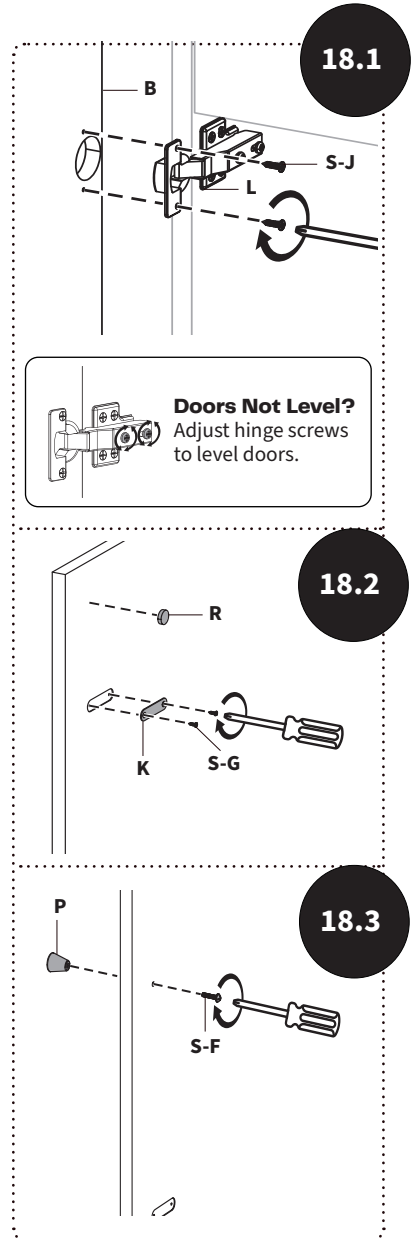
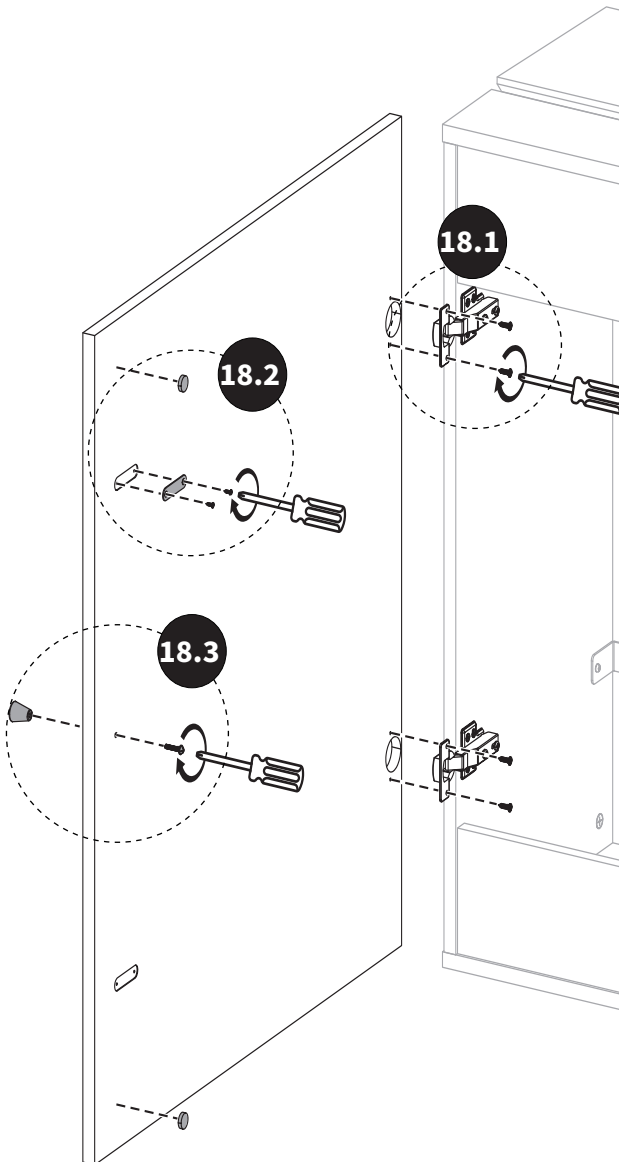
STEP 18

Apply Door Pads (**R**) where shown. Then, with a Phillips screwdriver, complete the following tasks:

18.1: With the ST4.2x16mm Flat Head Screws (**S-J**), secure Door (**B**) to Hinges (**L**).

18.2: Secure Door Plates (**K**) to Door using ST2.9x9.5mm Screws (**S-G**).

18.3: Install Door Knob (**P**) into front of Door using M4x20mm Screws (**S-F**).



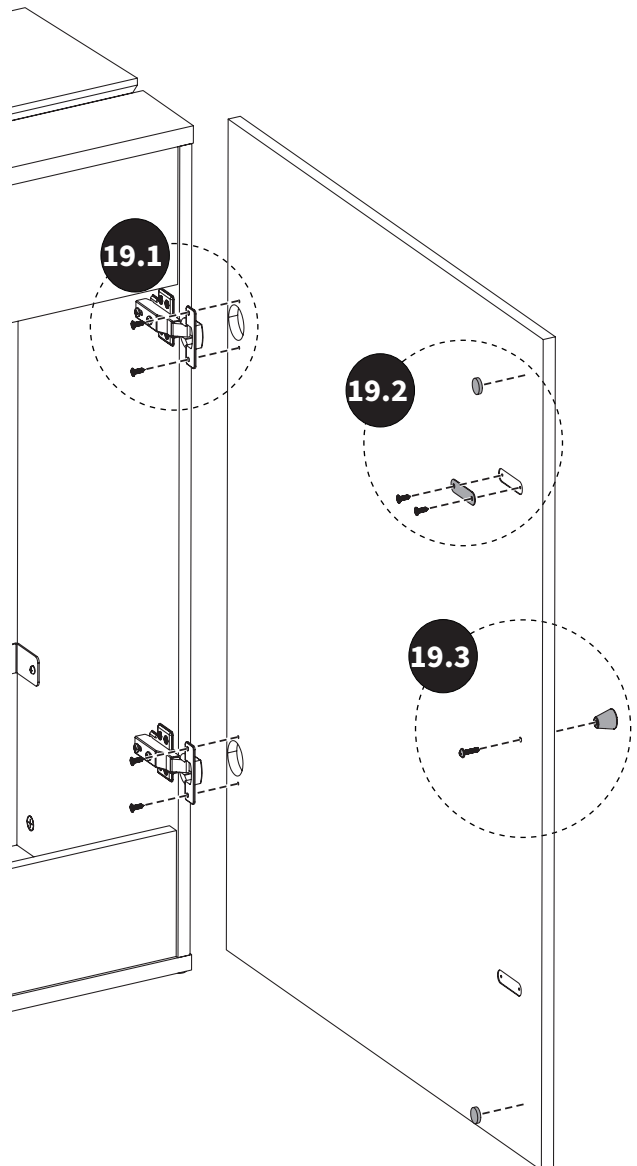
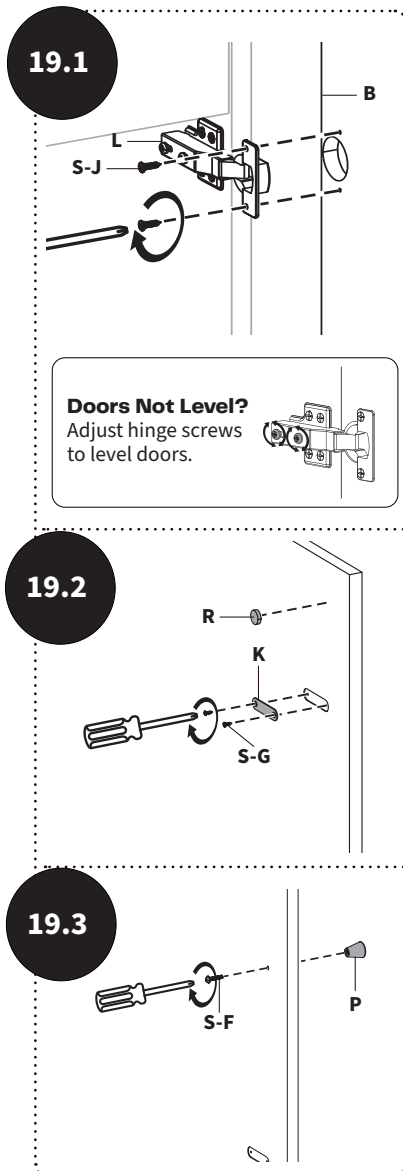
STEP 19

Apply Door Pads (**R**) where shown. Then, with a Phillips screwdriver, complete the following tasks:

19.1: With the ST4.2x16mm Flat Head Screws (**S-J**), secure Door (**B**) to Hinges (**L**).

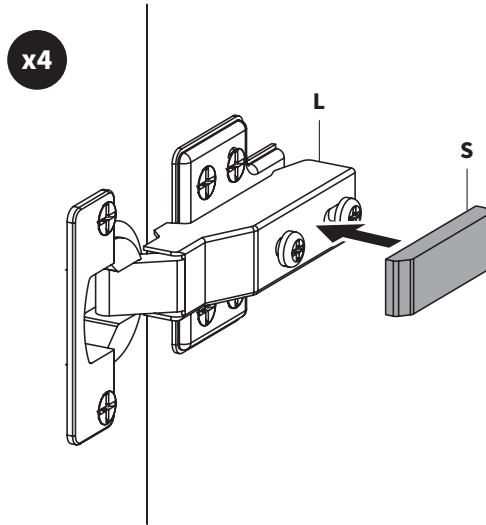
19.2: Secure Door Plates (**K**) to Door using ST2.9x9.5mm Screws (**S-G**).

19.3: Install Door Knob (**P**) into front of Door using a M4x20mm Screws (**S-F**).



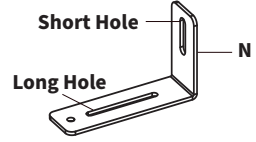
STEP 20

Apply Hinge Covers (**S**) to all Hinges (**L**).

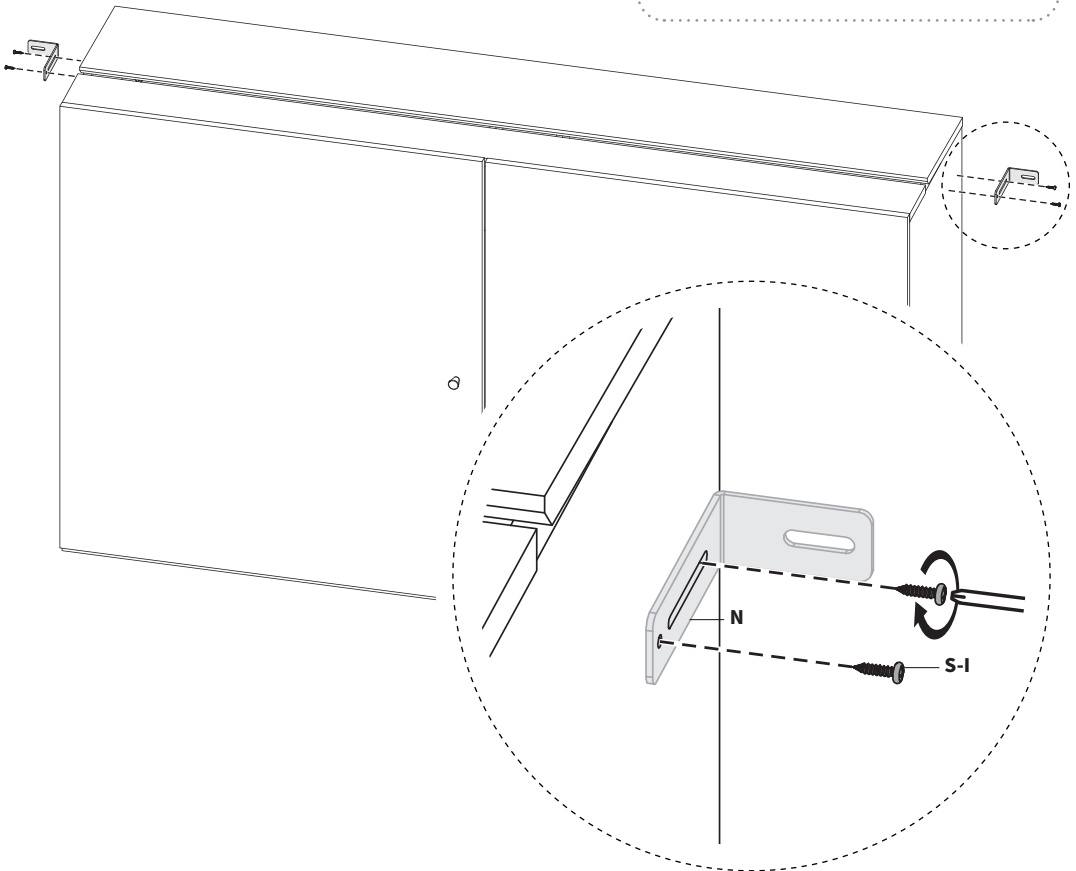


OPTIONAL | SECURING TO WALL

For added stability, the Cabinet Assembly can be anchored to a wall. Start by installing Wall Brackets (**N**) to sides of cabinet using ST4.2x16mm Round Head Screws (**S-I**) and a Phillips screwdriver.



Wall Brackets (**N**) should be installed with the **Long Hole** on the cabinet and the **Short Hole** on the wall.

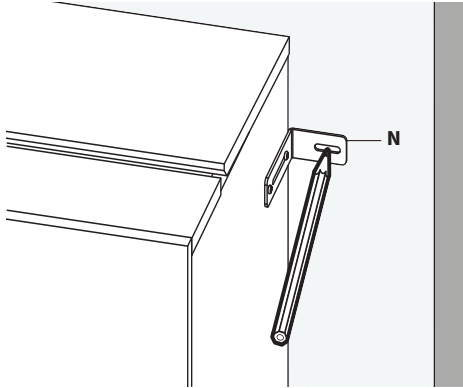


OPTIONAL ASSEMBLY - Cont'd

Concrete Wall Installation



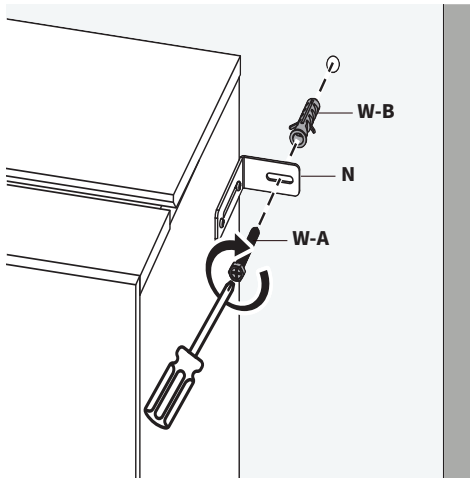
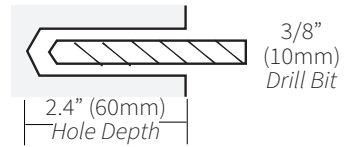
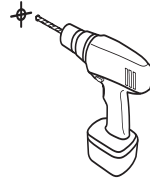
Drywall: Use drywall anchors (not included) instead of Concrete Anchors (**W-B**).



Use Wall Bracket (**N**) to mark drilling locations on the wall. Use of a level is recommended.

Pre-Drilling Instructions

Drill mounting holes using illustration below.

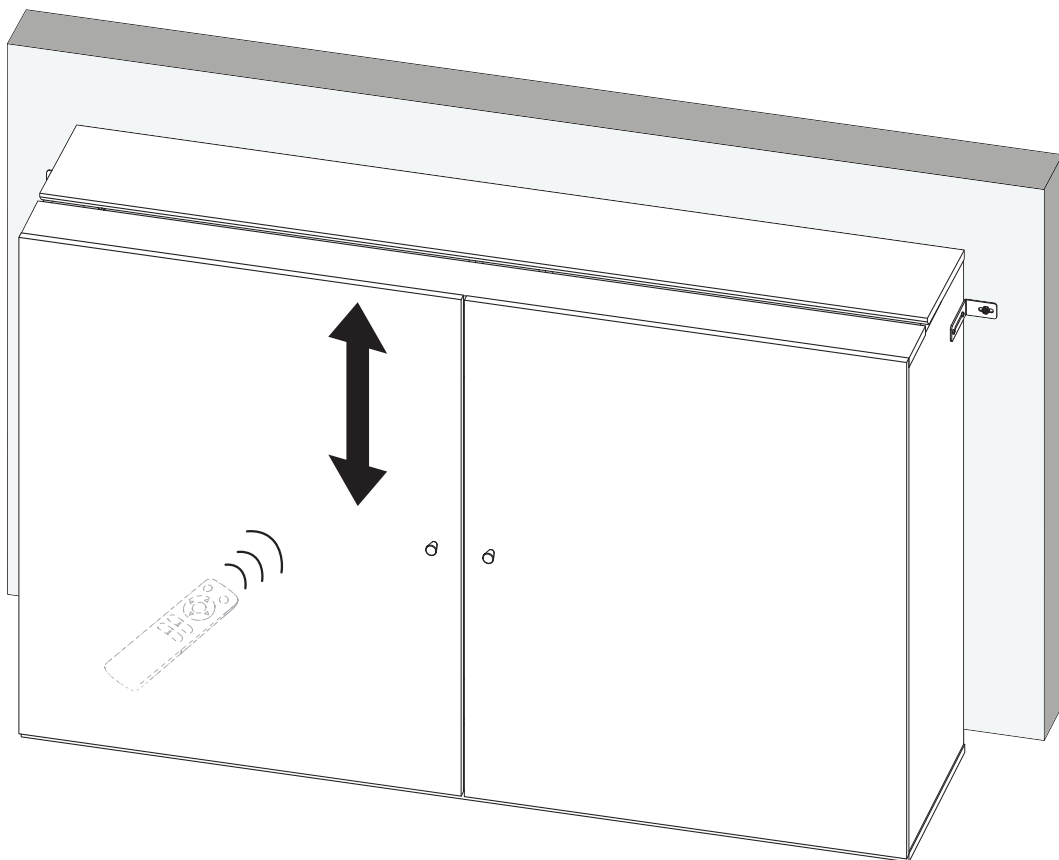


Secure Wall Bracket (**N**) to wall using ST6.3x55 Screws (**W-A**) with Concrete Anchors (**W-B**) and a 10mm socket wrench.



Do NOT use included Anchors (W-B) for Drywall.

Verify stability of Cabinet Assembly by testing functionality of your TV Lift. Your TV Lift Cabinet is now ready for use.



- Assembly Complete! -



Love Your New Setup?
Tag Us on Social!



@VIVO-us



@vivo_us



@VIVOus



VIVO



Need Help? **We're Here For You**

Monday-Friday from 7am-7pm CST

Saturday 8am-4pm CST



Email Us
help@vivo-us.com



Chat with Live Agent
www.vivo-us.com



Give Us a Call
309-278-5303 ext. 1



VIVO-us



@vivo_us



@VIVOus



VIVO