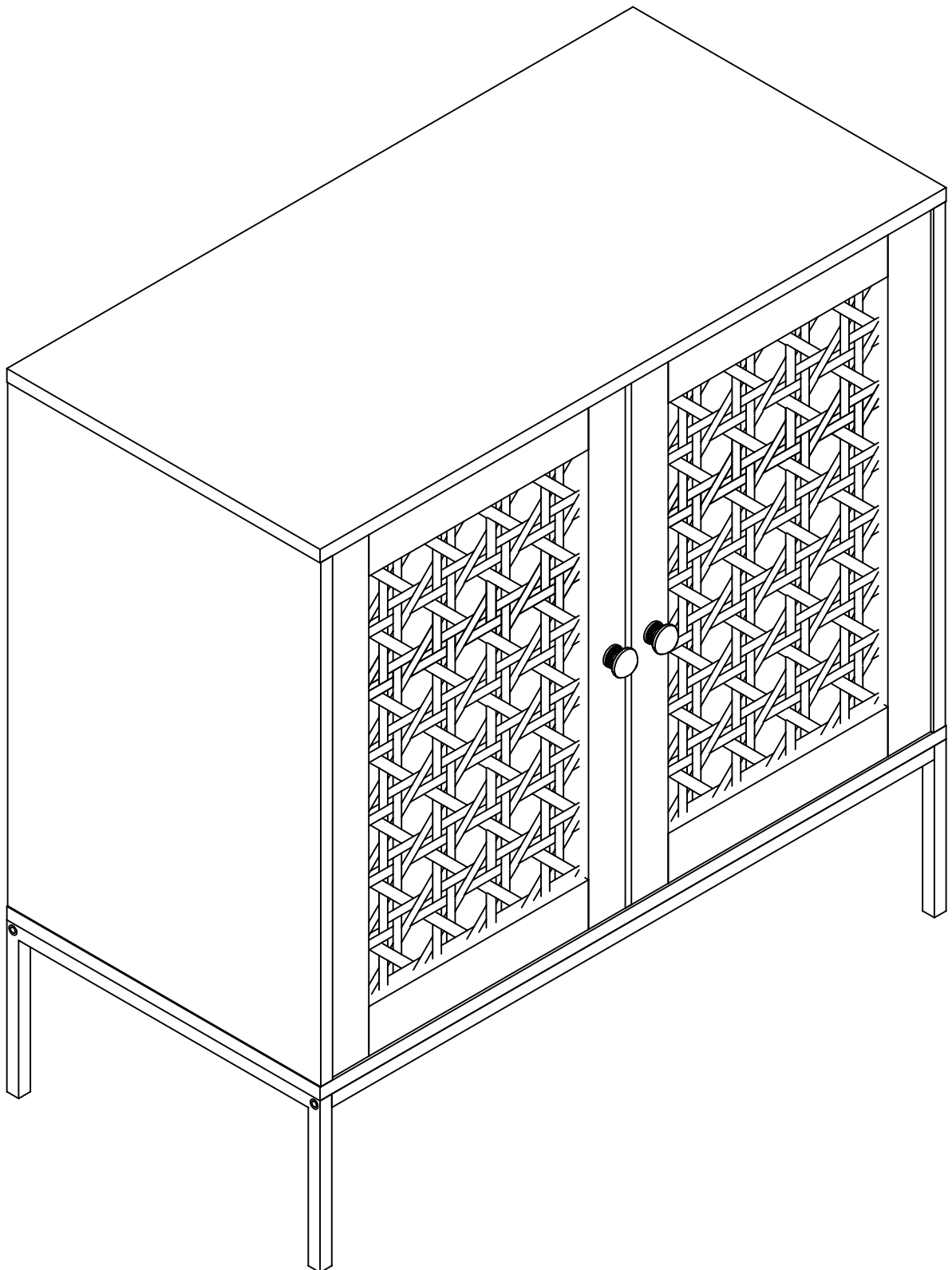
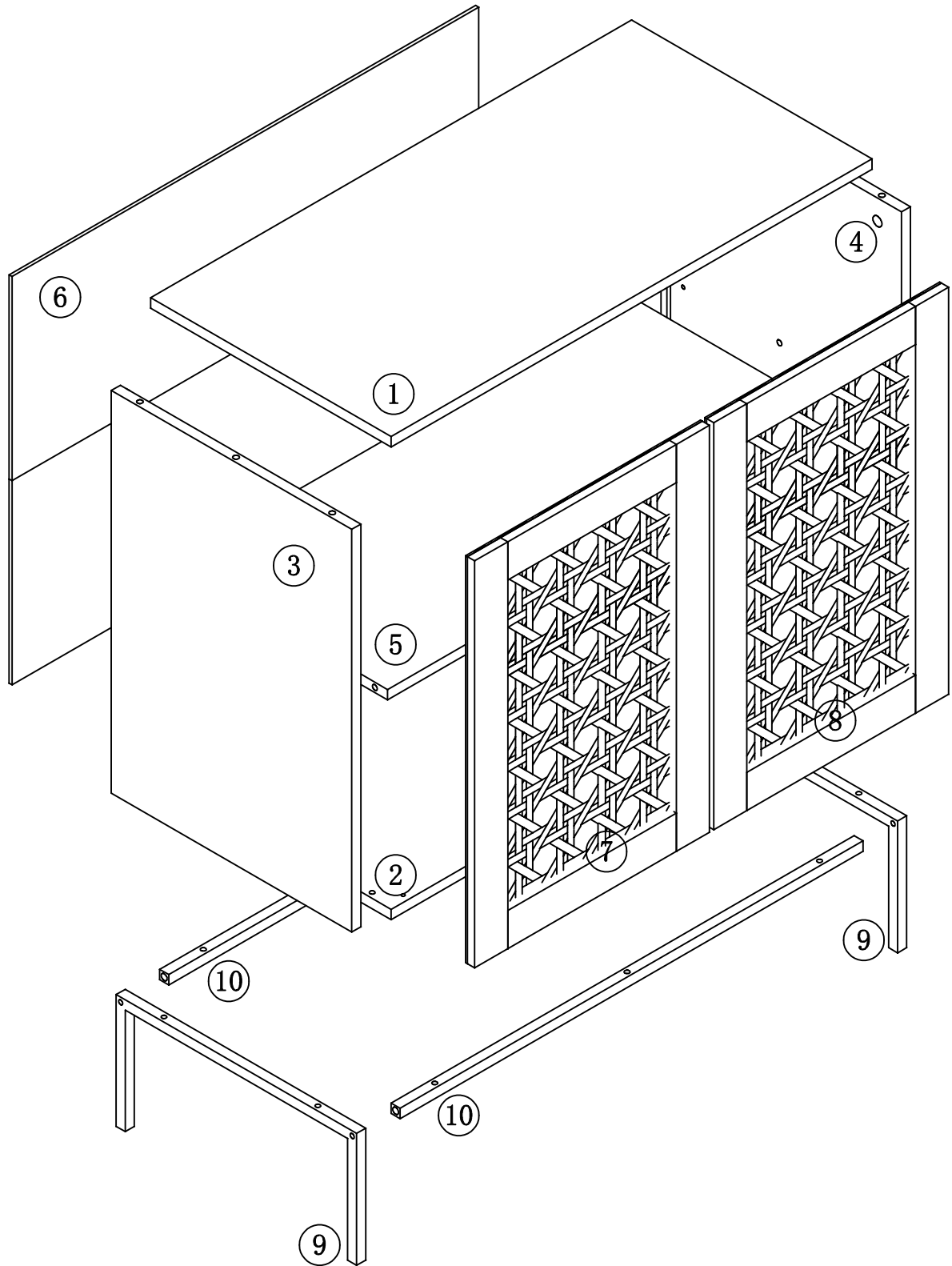
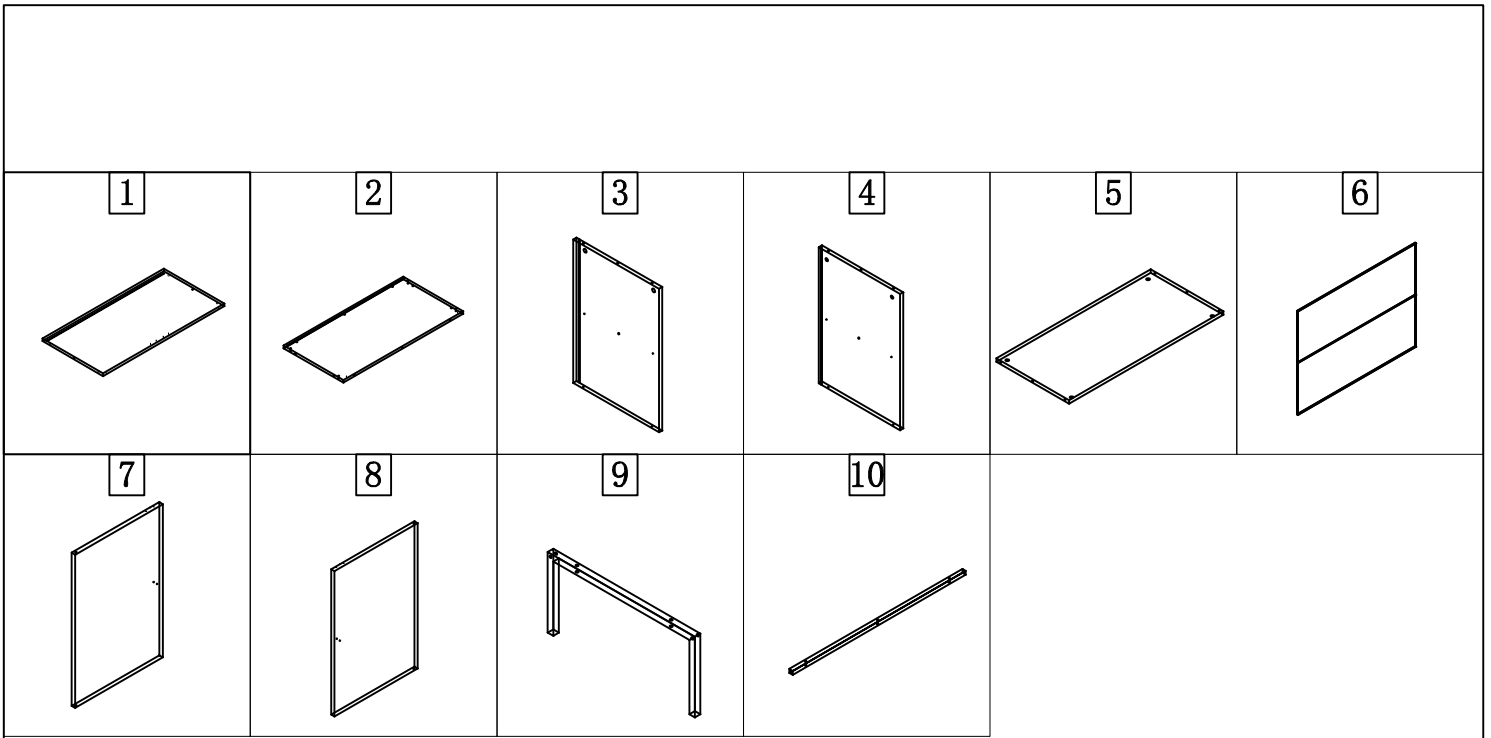
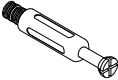




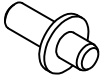
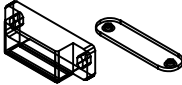
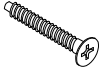

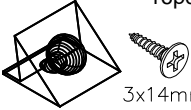




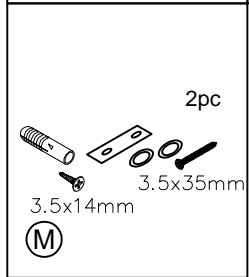
# Assembly Instruction



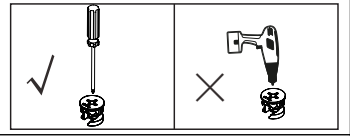
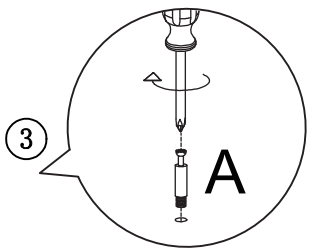
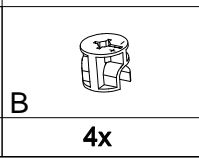
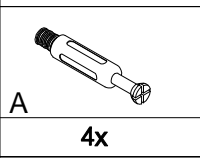
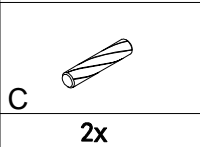
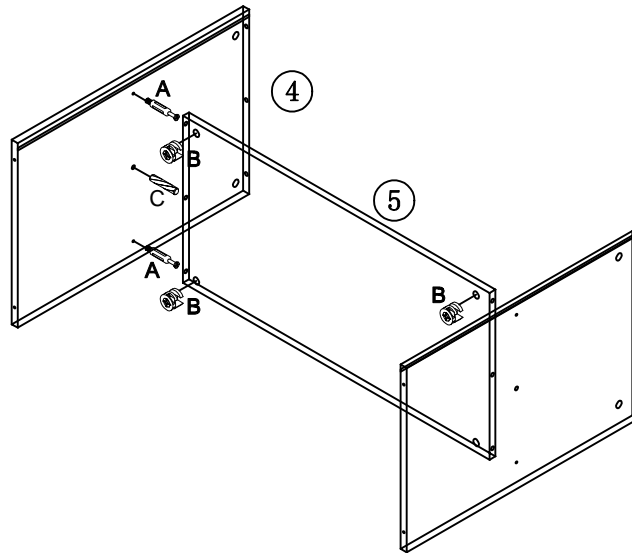




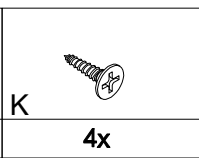
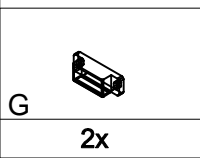
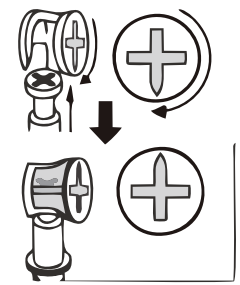
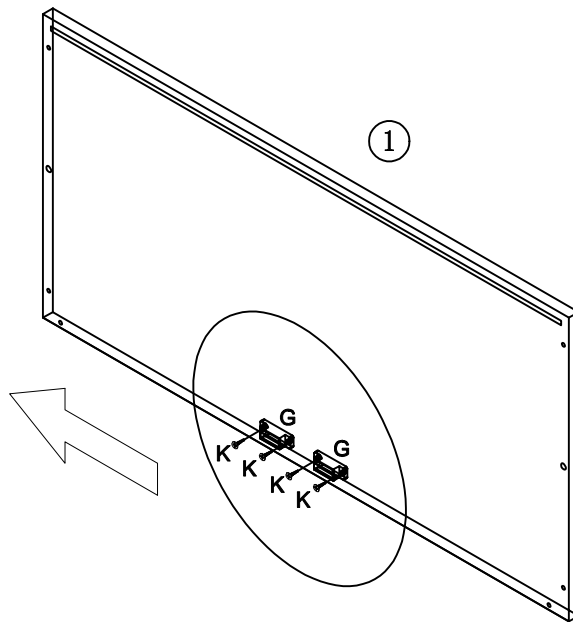
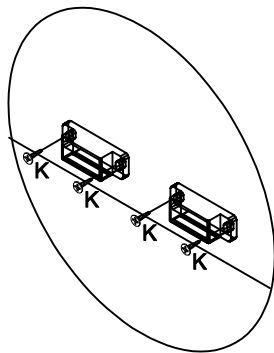
|   |  |  |  |  |  |
|---|--|--|--|--|--|
| Cam Bolt<br>8pc<br><br>(A)     | Cam Nut<br>8pc<br><br>(B)         | Wood Plug<br>4pc<br>8x40mm<br><br>(C) | Hangle<br>2pc<br><br>(D)                            | Screw<br>2pc<br><br>(E)           | Turnstile<br>4pc<br><br>(F)       |
| Door stopper<br>2pc<br><br>(G) | Screw<br>4pc<br>7x50mm<br><br>(H) | Screw<br>14pc<br>6x35mm<br><br>(I)    | Back panel buckle set<br>16pc<br>3x14mm<br><br>(J) | Screw<br>4pc<br>3x14mm<br><br>(K) | Screw<br>4pc<br>3x12mm<br><br>(L) |



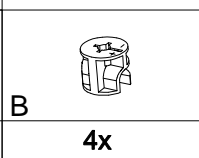
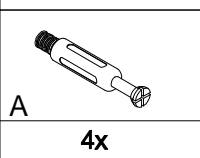
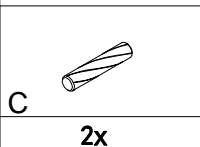
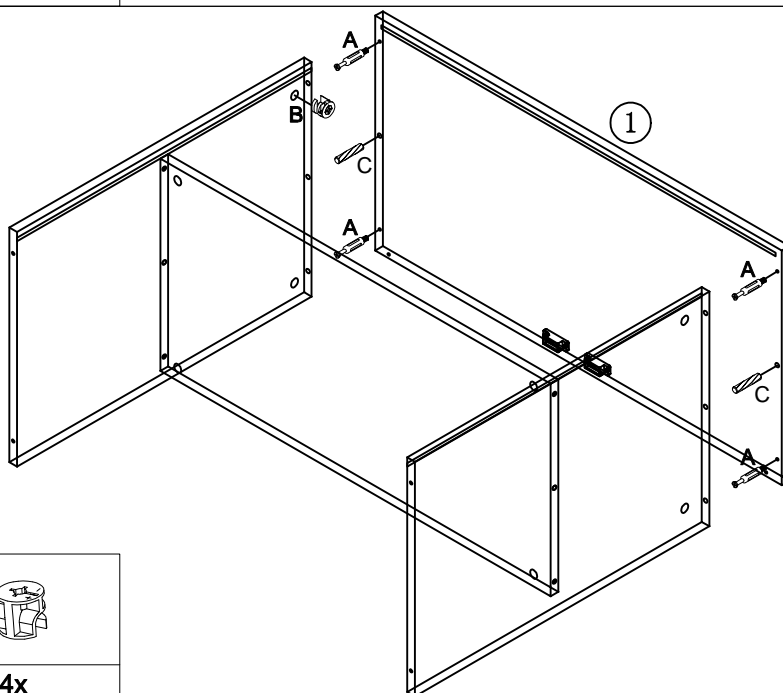
# Step 1



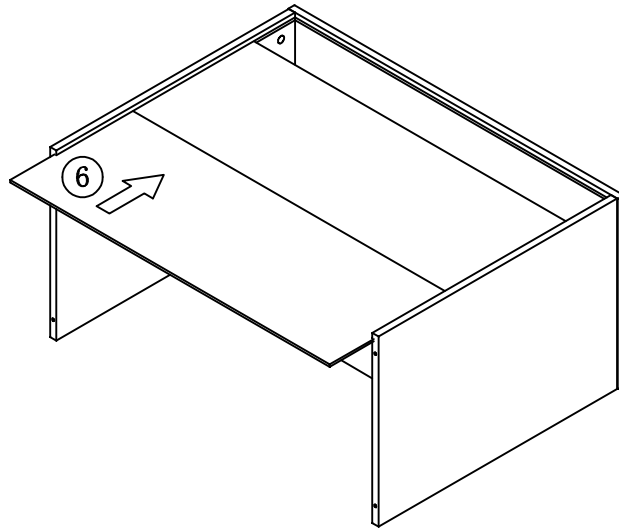
# Step 2



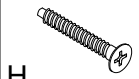
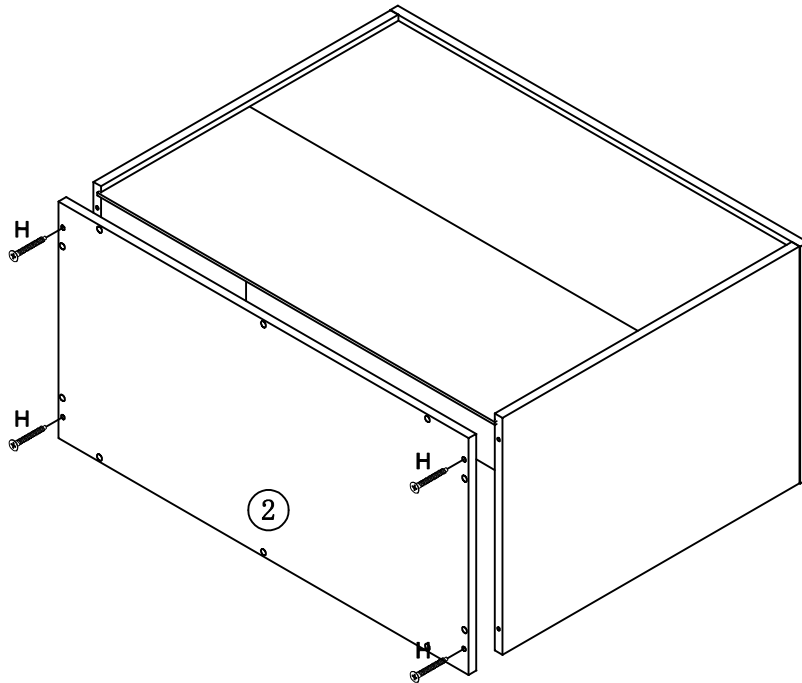
# Step 3



## Step 4



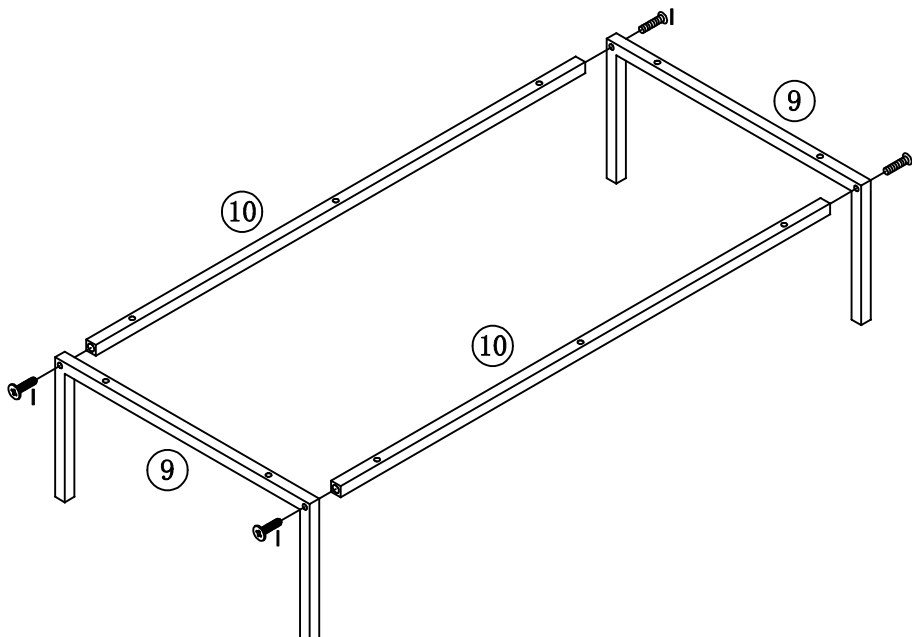
## Step 5



H

4x

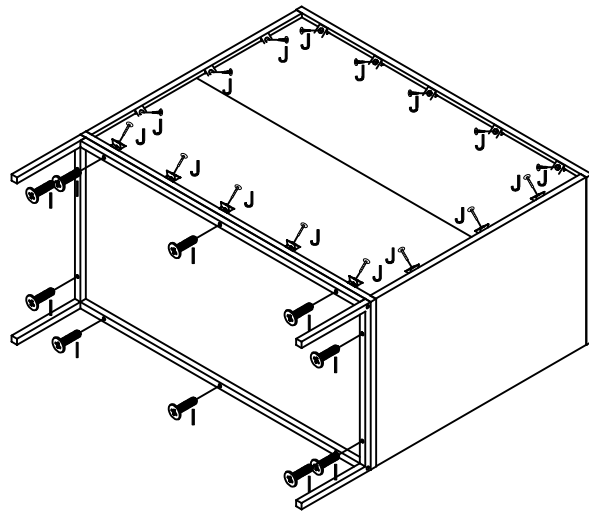
## Step 6



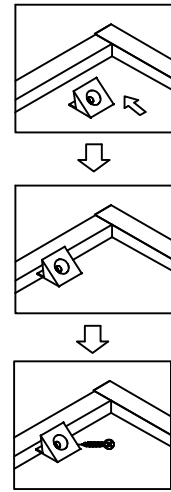
I


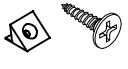
4x

# Step 7

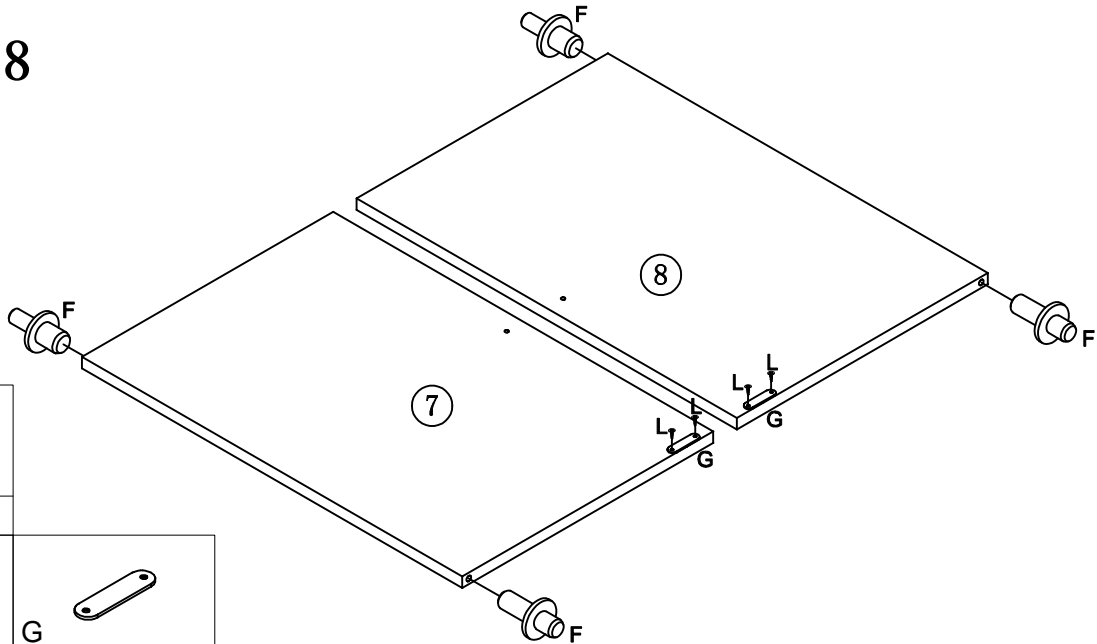



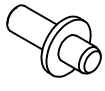

Insert the gap



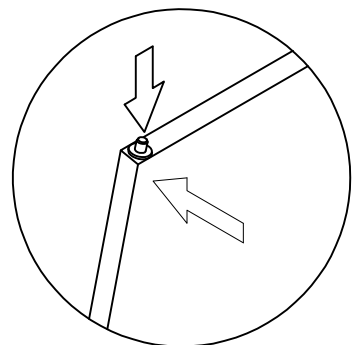
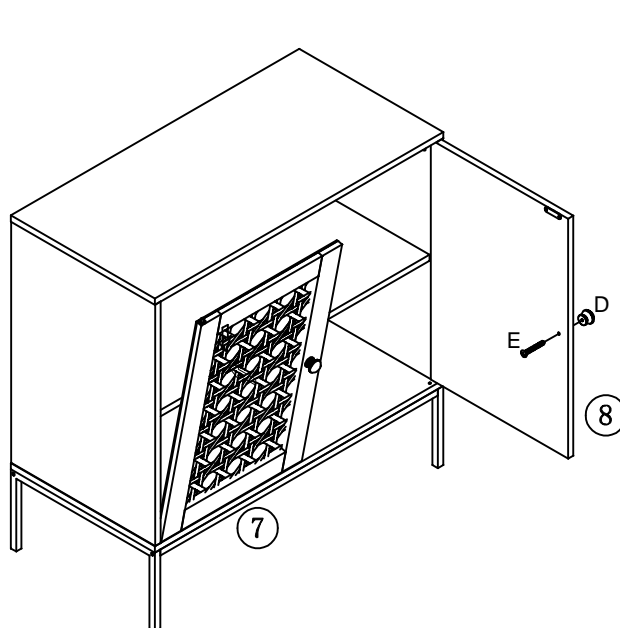
|   |   |   |   |
|---|---|---|---|
| I |  | J |  |
|   | 10x   |   | 16x   |



# Step 8



|   |   |   |   |
|---|---|---|---|
| L |  |   |   |
|   | 4x  |   |   |
| F |   | G |  |
|   | 4x  |   | 2x  |

# Step 9



|   |   |   |   |
|---|---|---|---|
| D |  | E |  |
|   | 2x  |   | 2x  |

# Step 10

