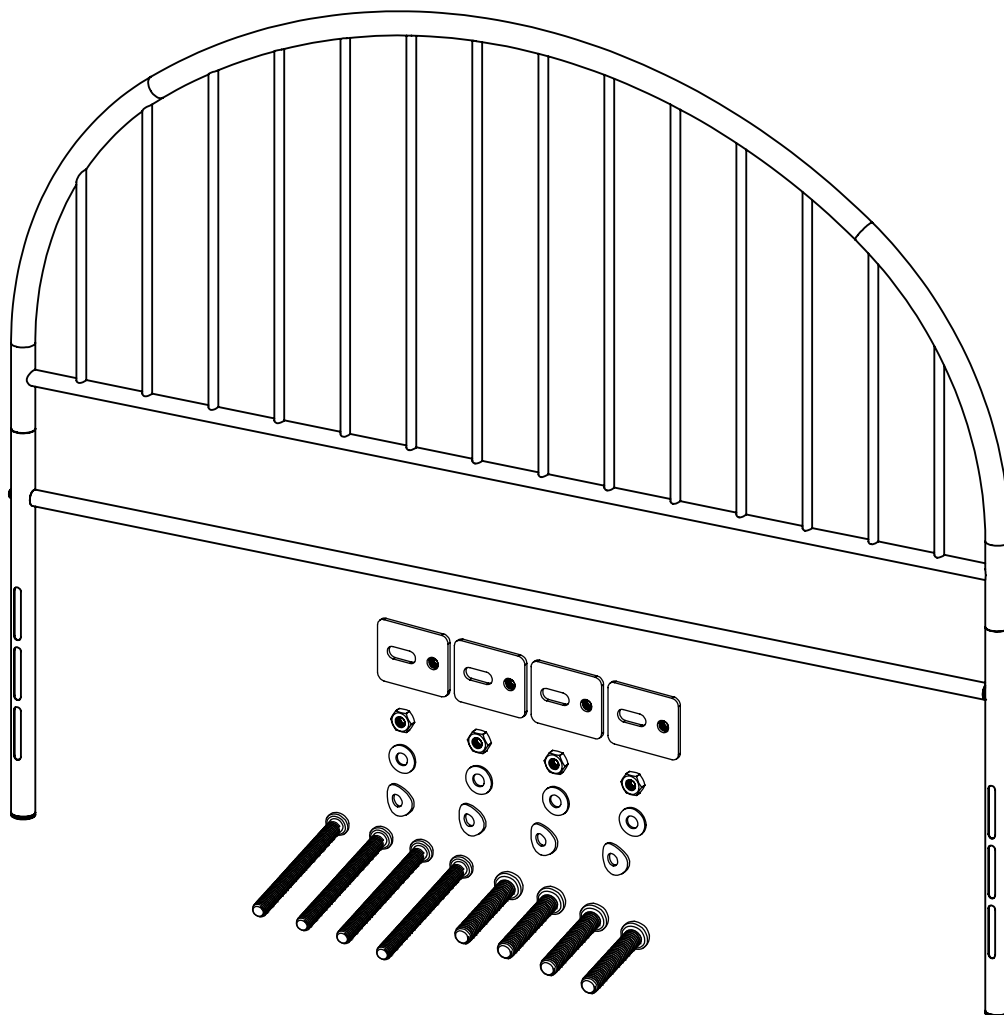
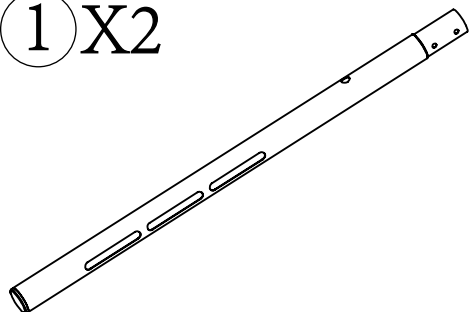


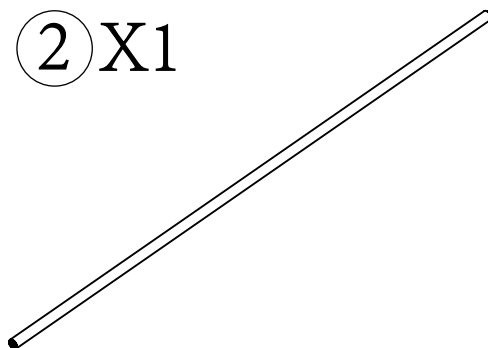
Queen



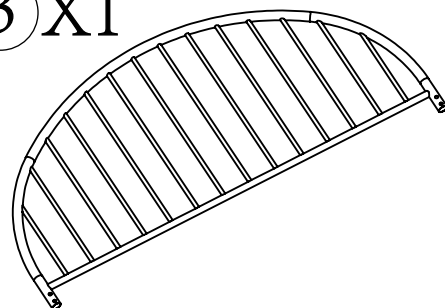
① X2



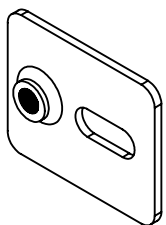
② X1



③ X1



④ X4



Ⓐ X4



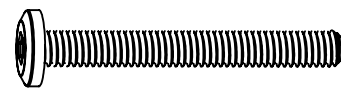
M8X95

Ⓑ X4



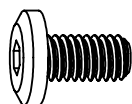
M8X35

Ⓒ X2



M6X50

Ⓓ X4



M6X12

Ⓔ X4



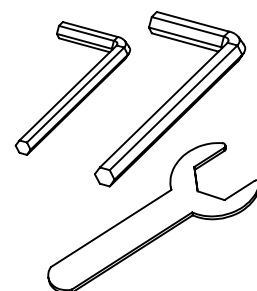
M8

Ⓕ X4

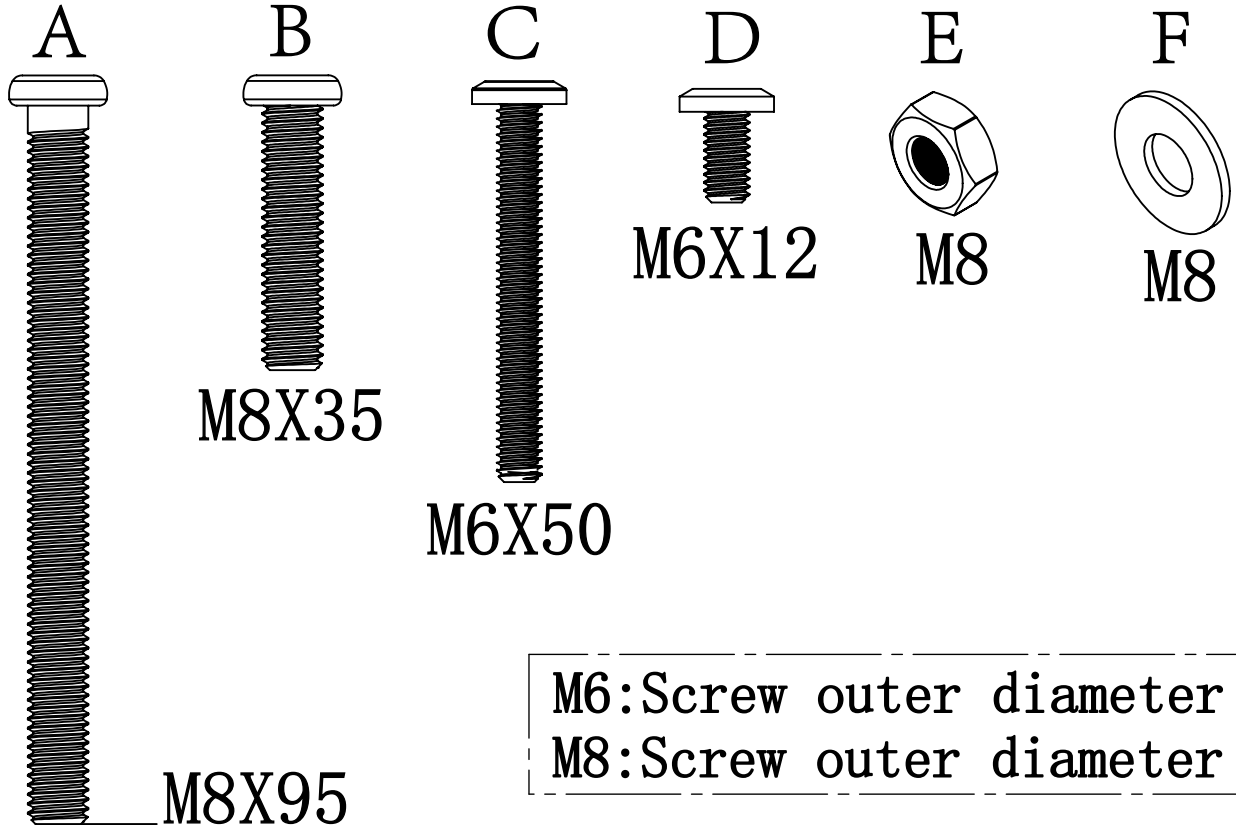


M8

Ⓖ X8

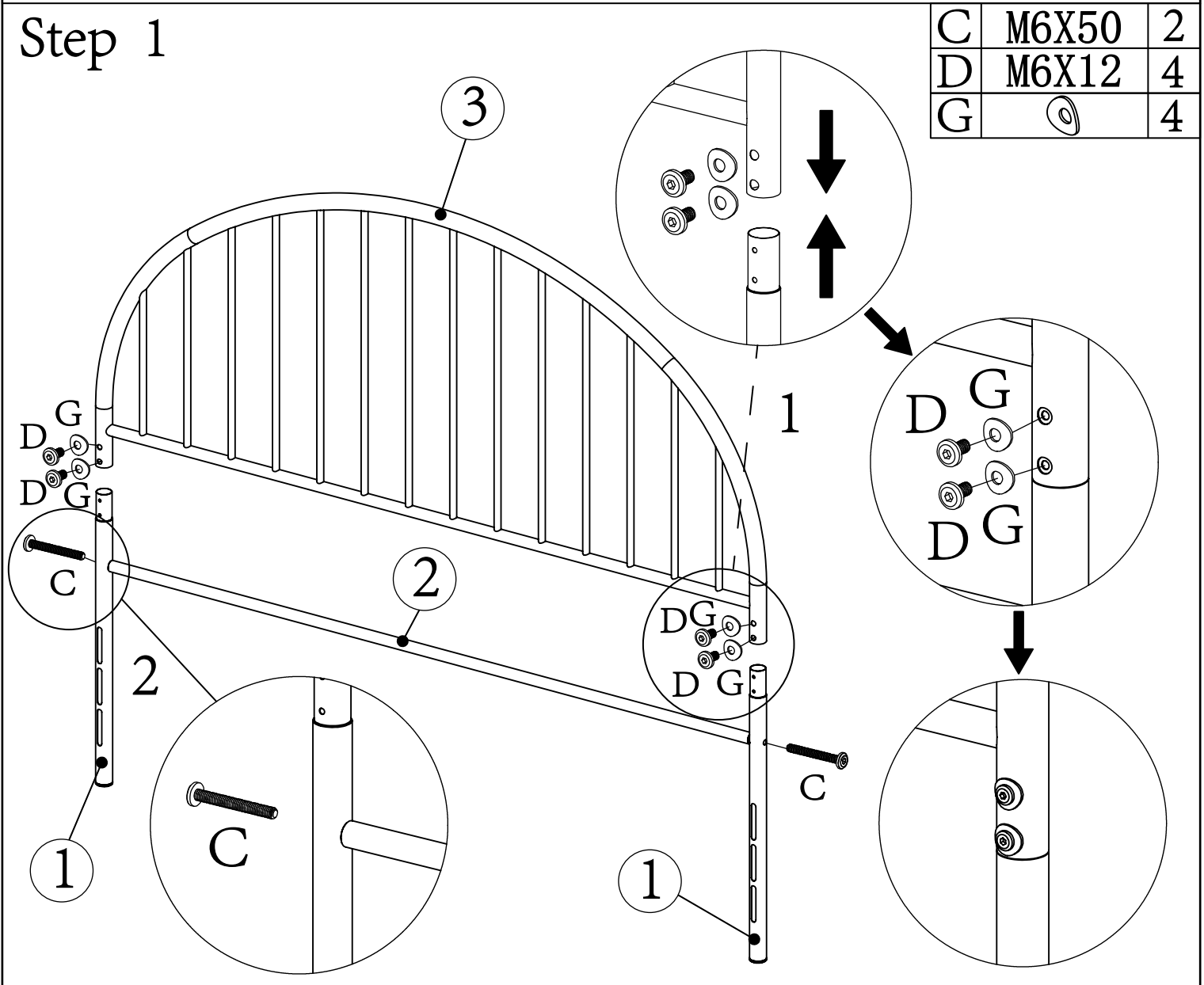


Difference screws display(1:1)




M6:Screw outer diameter 6mm
 M8:Screw outer diameter 8mm

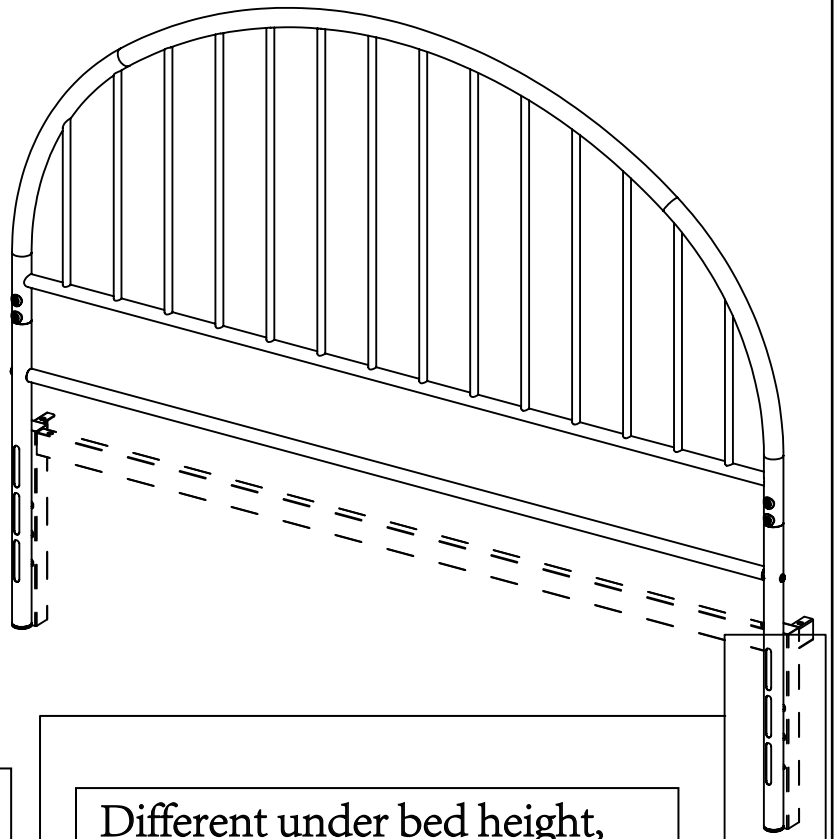
Step 1



Step 2

A	M8X95	4
B	M8X35	4
E	M8	4
F	M8	4
G		4

Select the suitable assembly scheme based on the requirement.



★ :When assembling Part 4, please pay attention to the direction. The direction to the left or right is adjustable.

Different under bed height, use different assembled height.

