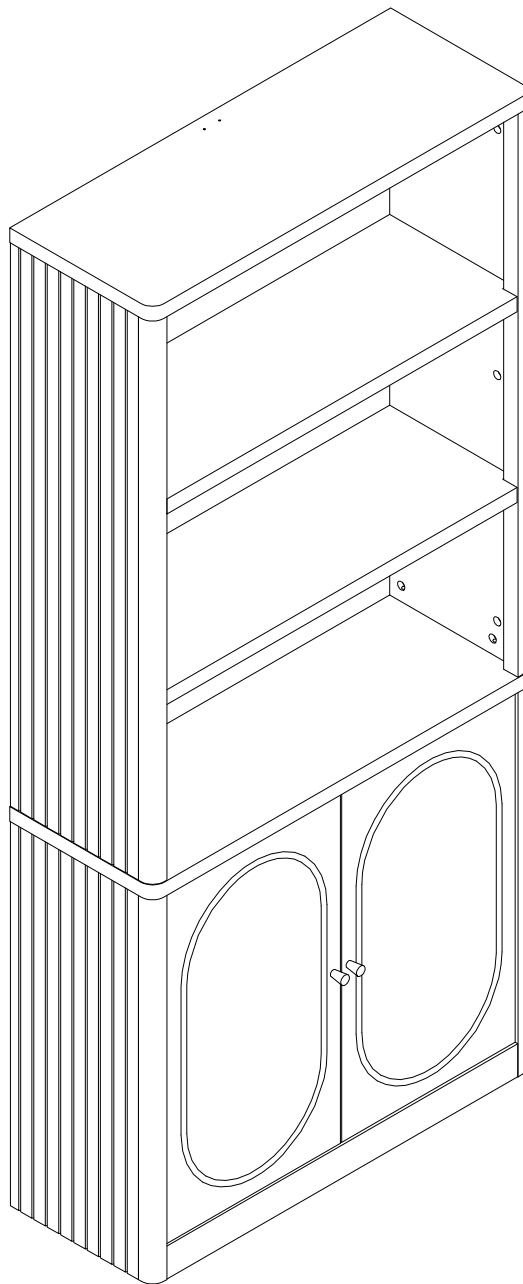


Assembly Instructions

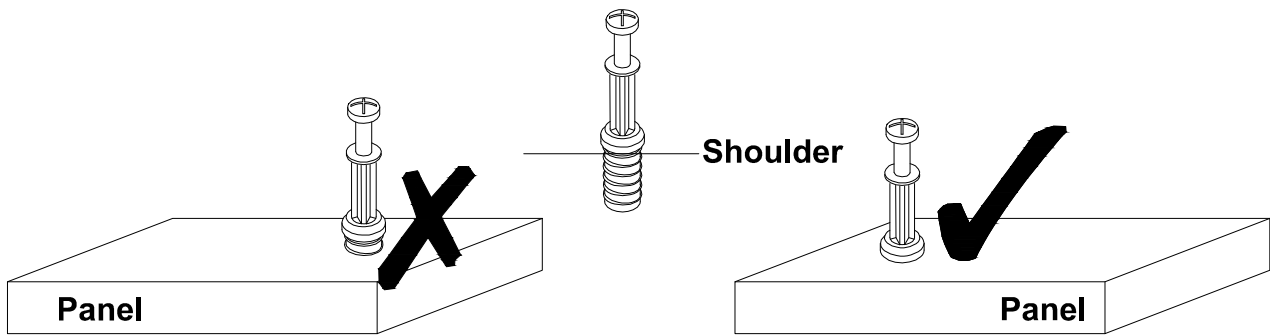


Before Assembly

Tips Before Your Start:

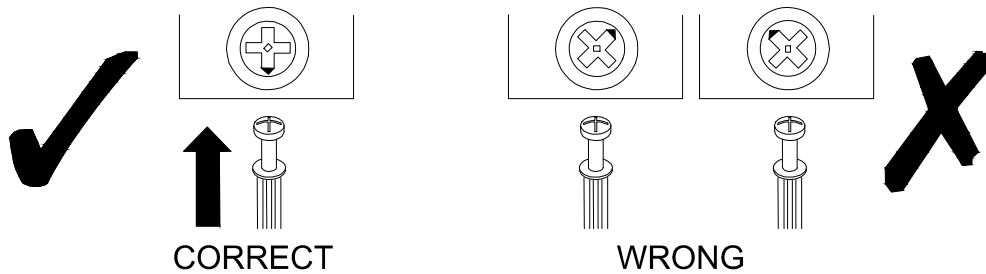
- Remove all wrapping material, including staples & packing straps before you start to assemble.
- DO NOT tighten all screws and bolts until the assembly is completely assembled.
- Keep all hardware parts out of reach of children.

QUICKFIT



Tighten quickfit until shoulder is flush with panel. Do not overtighten or undertighten.

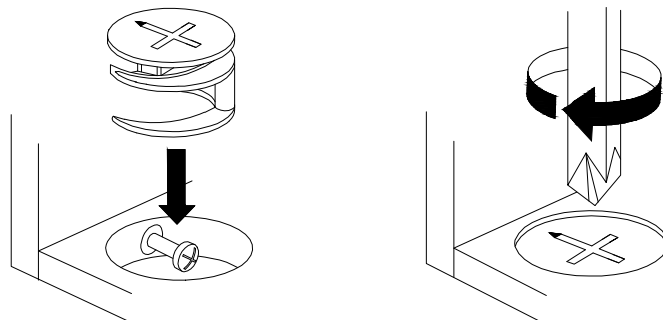
CAM LOCK



When fitting a cam lock, ensure the starting position is correct before inserting the connecting QUI CKFIT

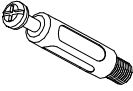


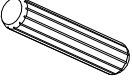
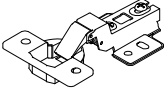
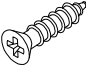
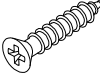


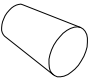
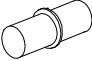
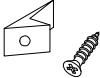
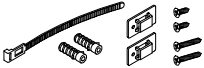
Quickfit head should be in the centre of the cam lock when the two panels are joined.

Cam lock should be inserted before quickfit.

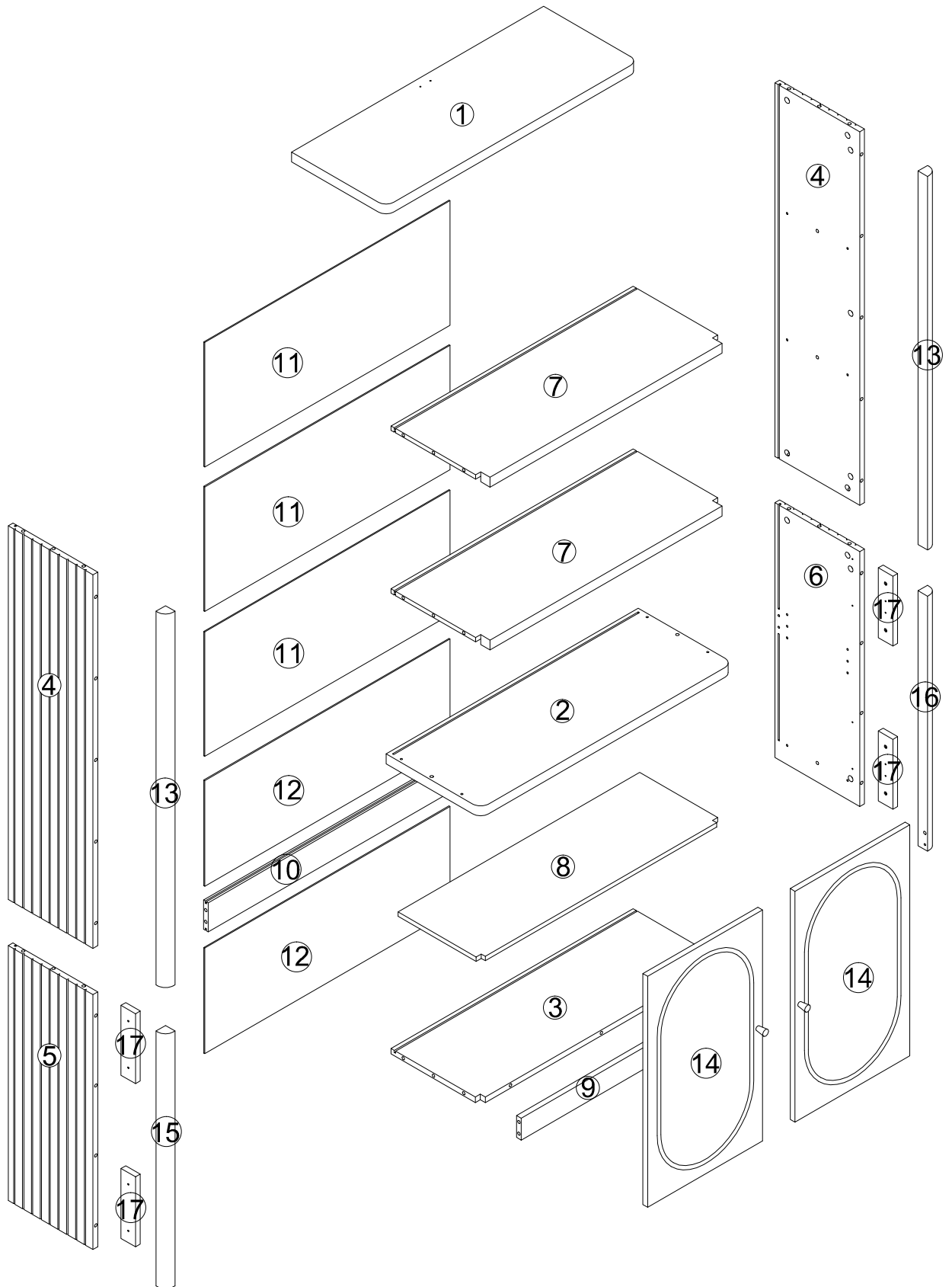


Turn cam lock clockwise to tighten.

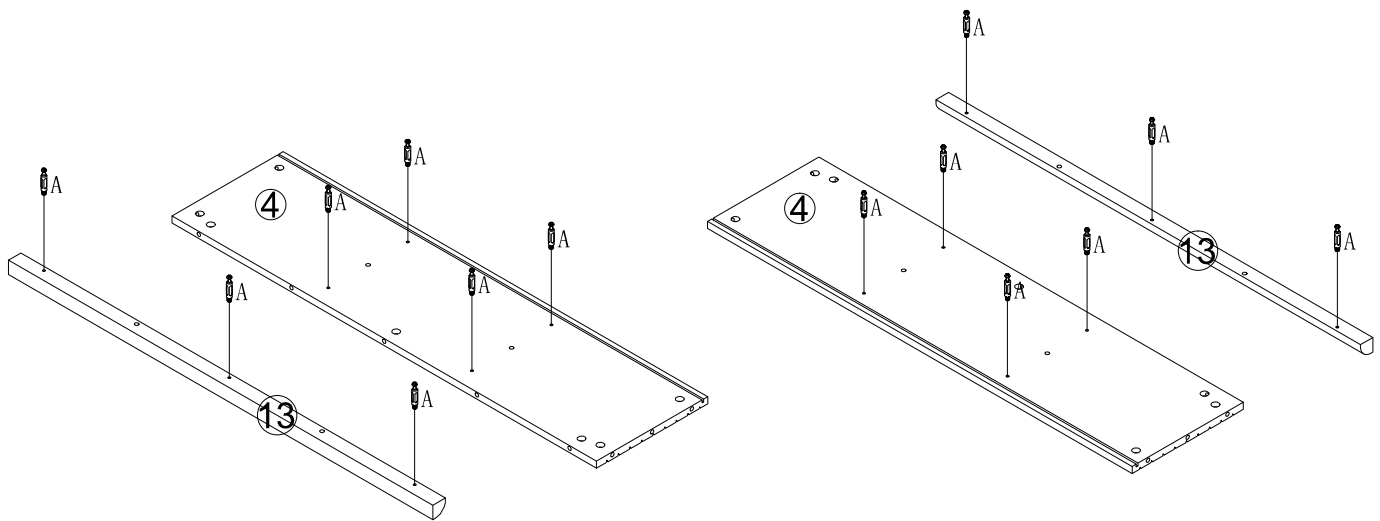
Part List

<p>No. A Quantity:42 Pcs Cam Lock Dowel 8*28mm</p> 	<p>No. B Quantity:42 Pcs Cam φ15</p> 	<p>No. C Quantity:42 Pcs Sticker Ø20</p> 	<p>No. D Quantity:23 Pcs Dowel 8*30mm</p> 
<p>No. E Quantity:4 Pcs Hinge</p> 	<p>No. F Quantity:24 Pcs Screw M3.5*12mm</p> 	<p>No. G Quantity:8 Pcs Screw M3.5*25mm</p> 	<p>No. H Quantity:2 Pcs Screw M4*18mm</p> 
<p>No. I Quantity:4 Pcs Foot Pad Ø15</p> 	<p>No. J Quantity:2 Pcs Handle</p> 	<p>No. K Quantity:4 Pcs Shelf Support M5*15mm</p> 	<p>No. L Quantity:20 Sets Plastic Wedge</p> 
<p>No. M Quantity:1 Sets Anti-falling Parts</p> 			

Product structure



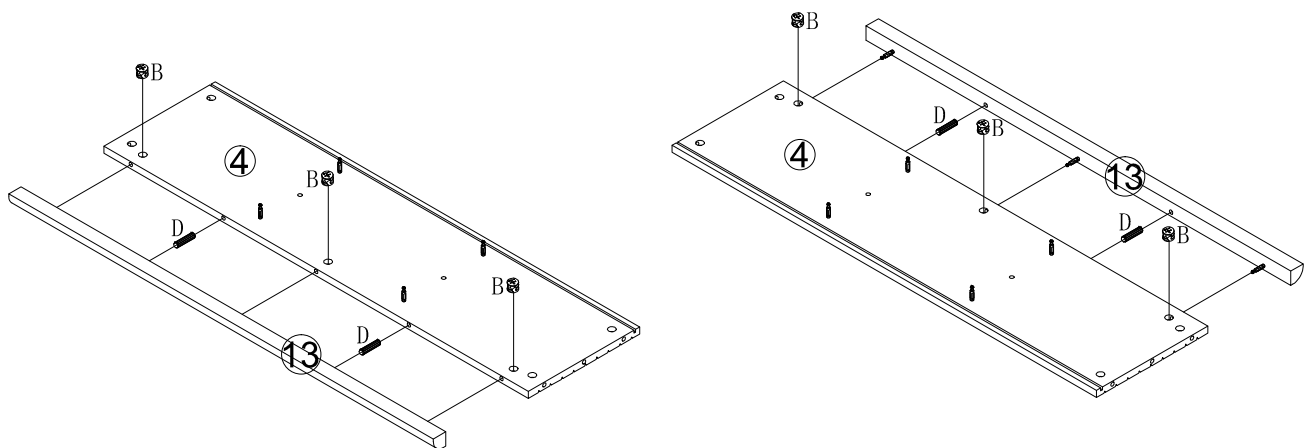
STEP 1



No. A
Quantity: 14 Pcs
8*28 mm



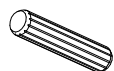
STEP 2



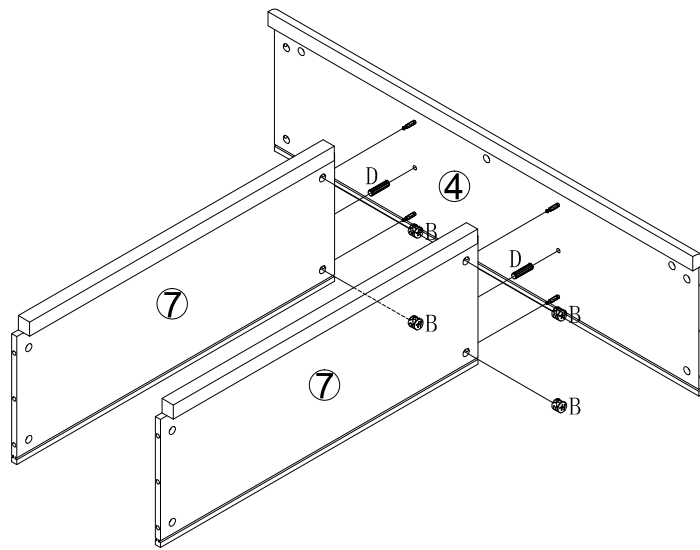
No. B
Quantity: 6 Pcs
Ø15



No. D
Quantity: 4 Pcs
8*30mm



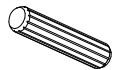
STEP 3



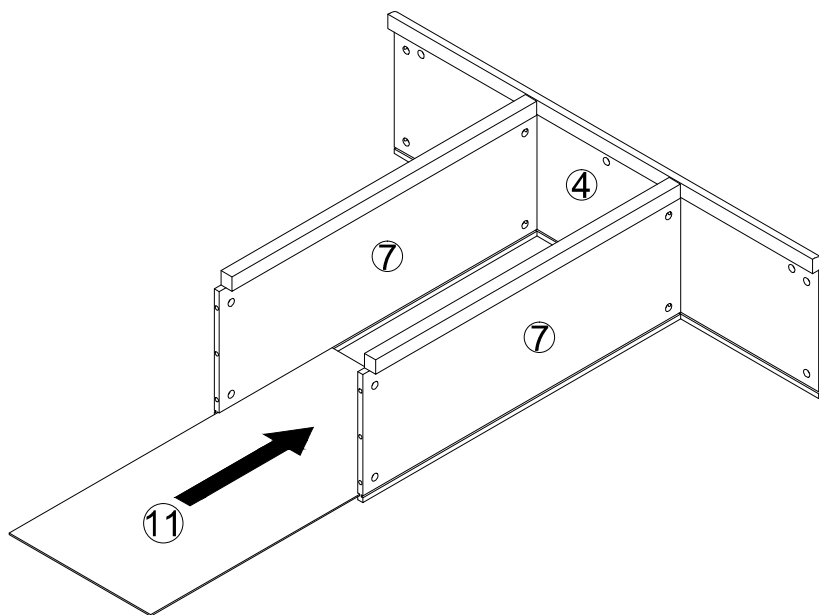
No. B
Quantity: 4 Pcs
Ø15



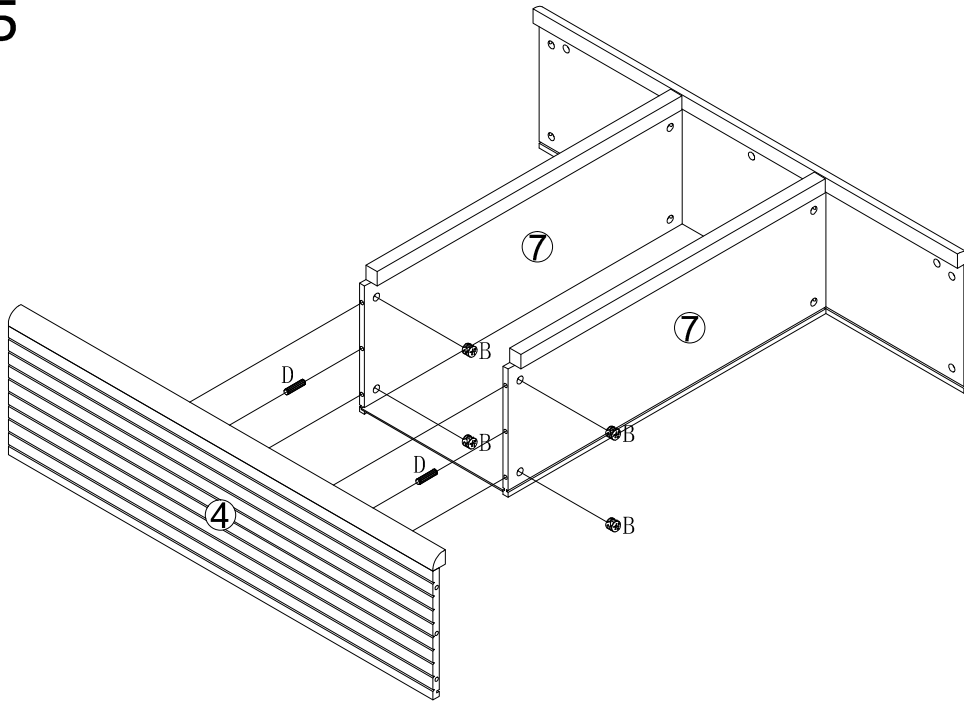
No. D
Quantity: 2 Pcs
8*30mm



STEP 4



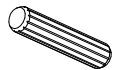
STEP 5



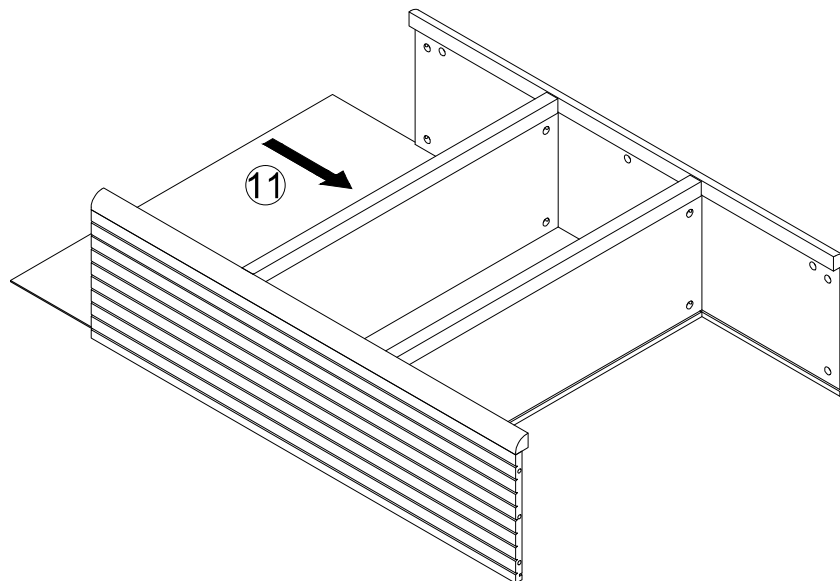
No. B
Quantity: 4 Pcs
Ø15



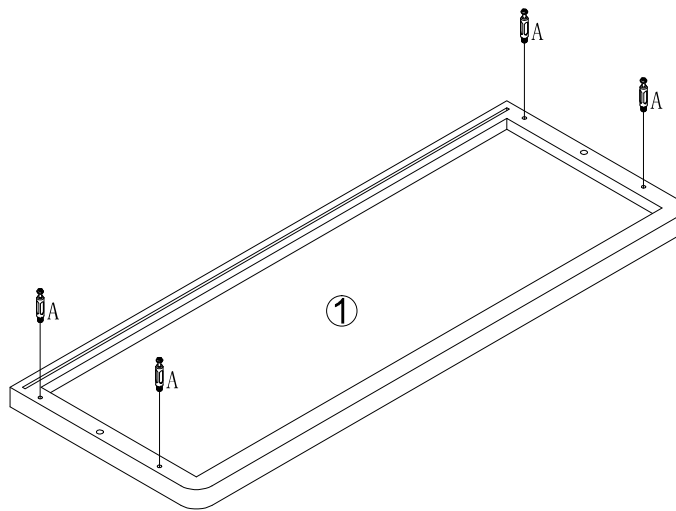
No. D
Quantity: 2 Pcs
8*30mm



STEP 6



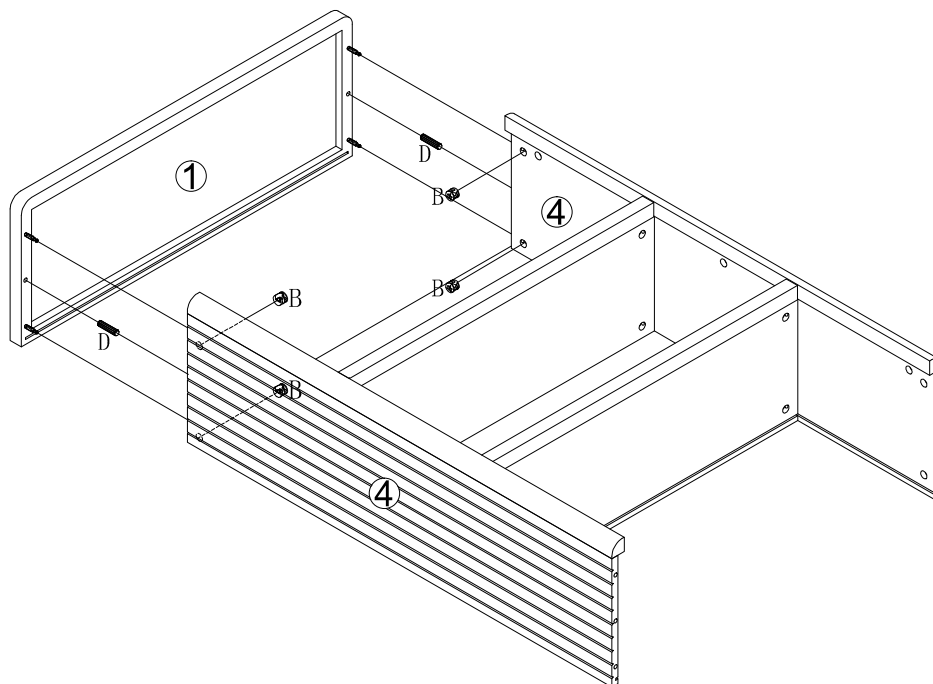
STEP 7



No. A
Quantity: 4 Pcs
8*28 mm



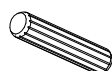
STEP 8



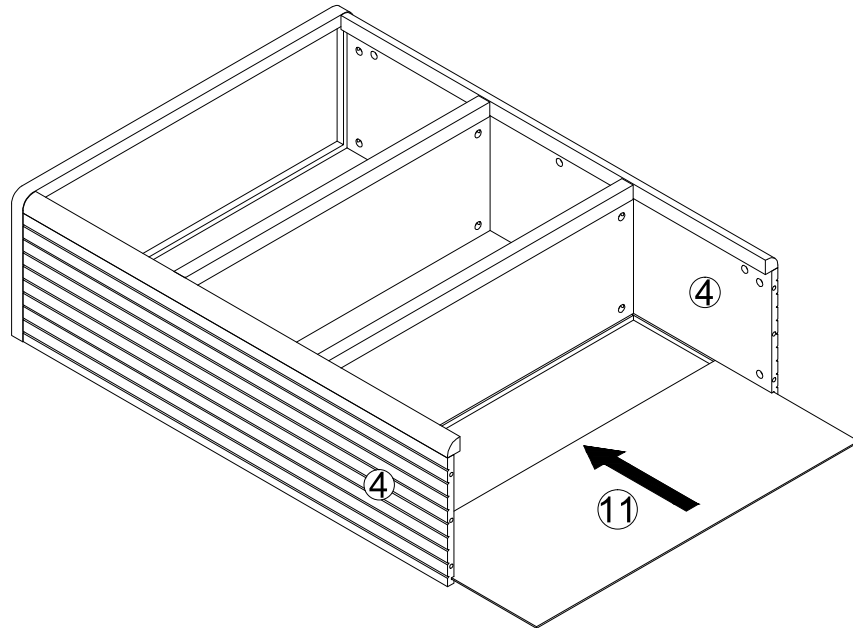
No. B
Quantity: 4 Pcs
Ø15



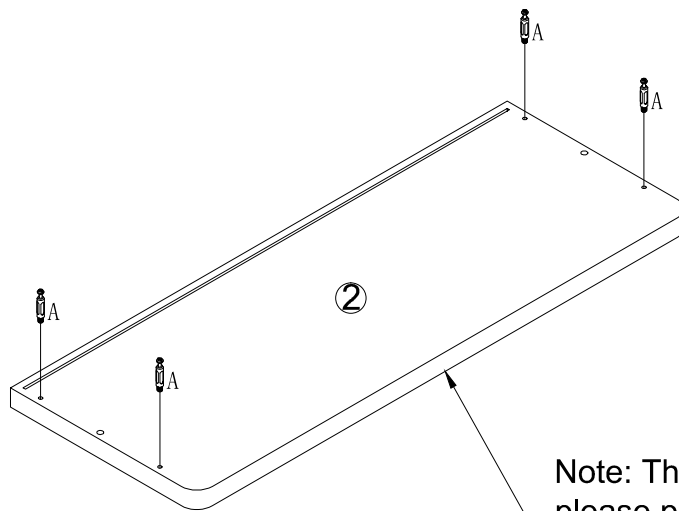
No. D
Quantity: 2 Pcs
8*30mm



STEP 9



STEP 10

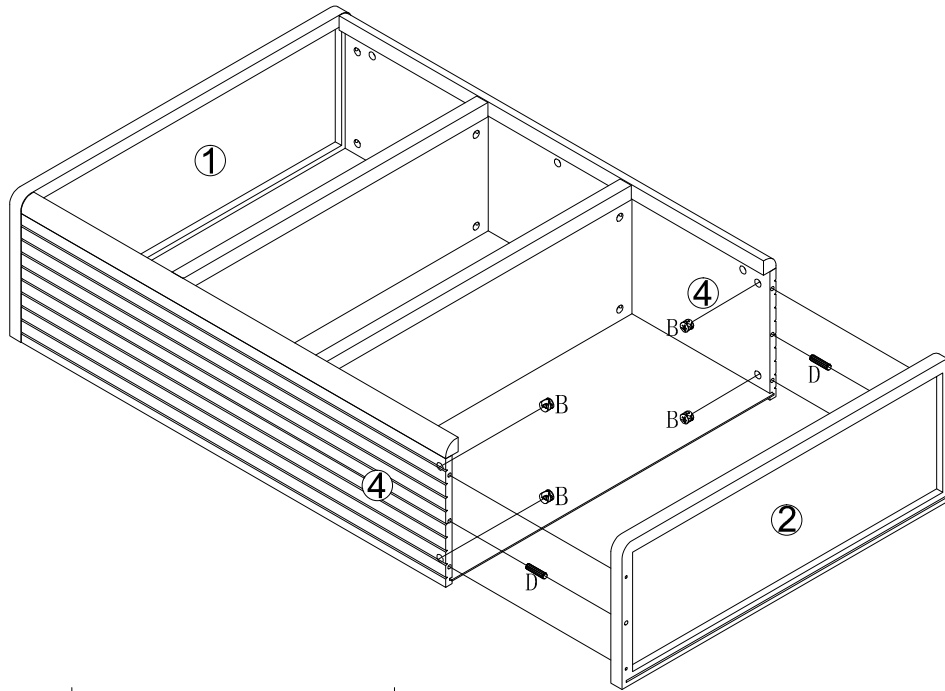


Note: This block has holes on both sides, please pay attention to the difference.

No. A
Quantity: 4 Pcs
8*28 mm



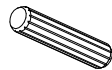
STEP 11



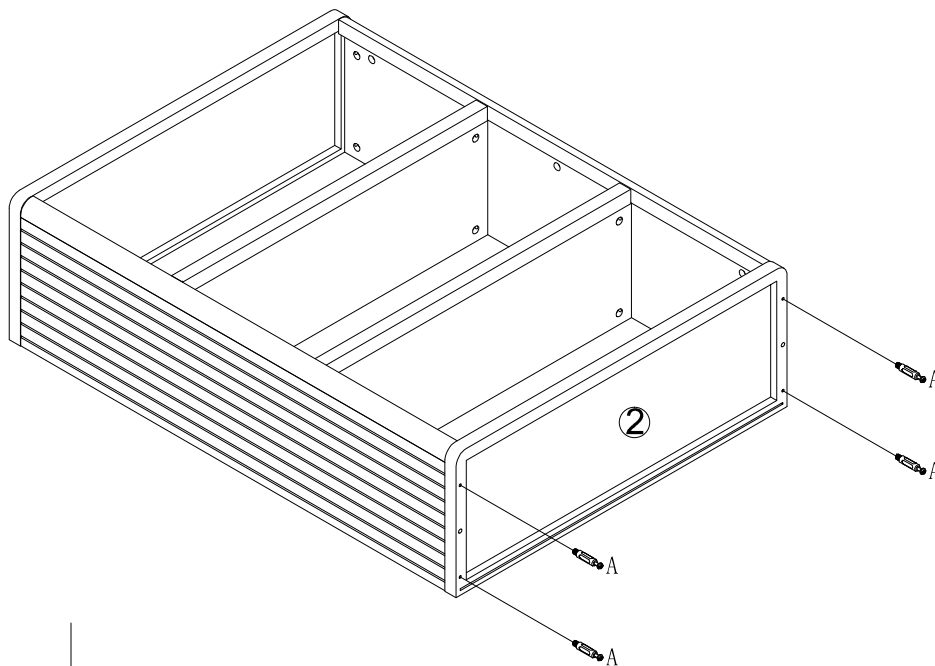
No. B
Quantity: 4 Pcs
Ø15



No. D
Quantity: 2 Pcs
8*30mm



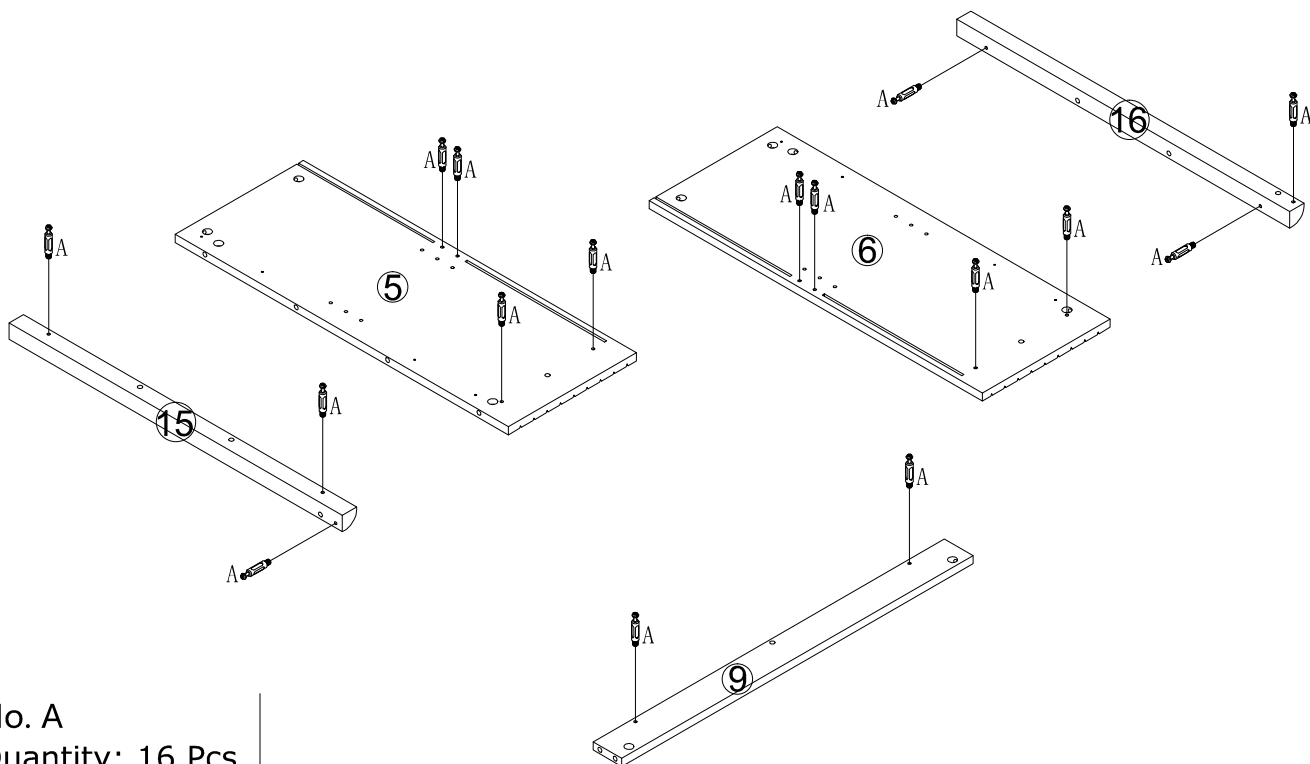
STEP 12



No. A
Quantity: 4 Pcs
8*28 mm



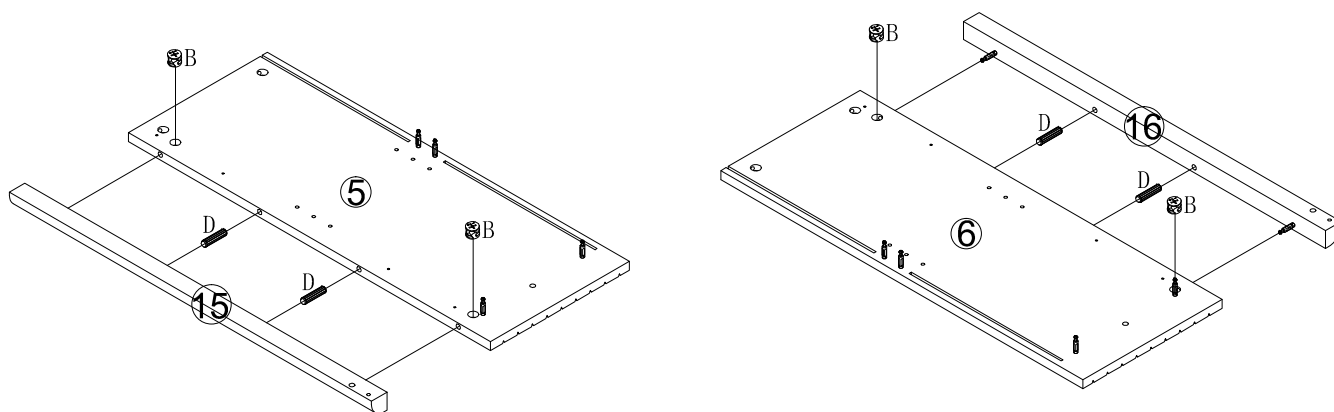
STEP 13



No. A
Quantity: 16 Pcs
8*28 mm



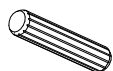
STEP 14



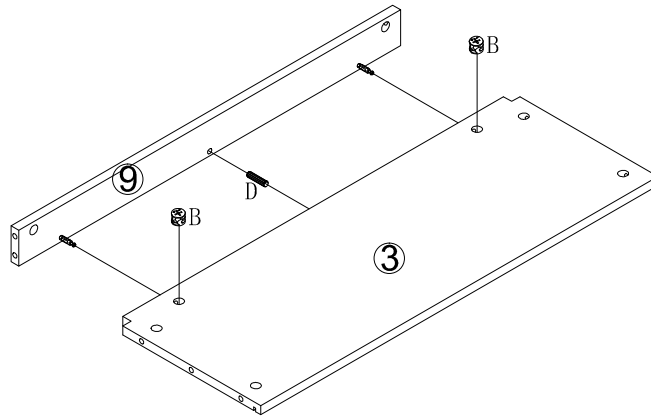
No. B
Quantity: 4 Pcs
Ø15



No. D
Quantity: 4 Pcs
8*30mm



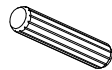
STEP 15



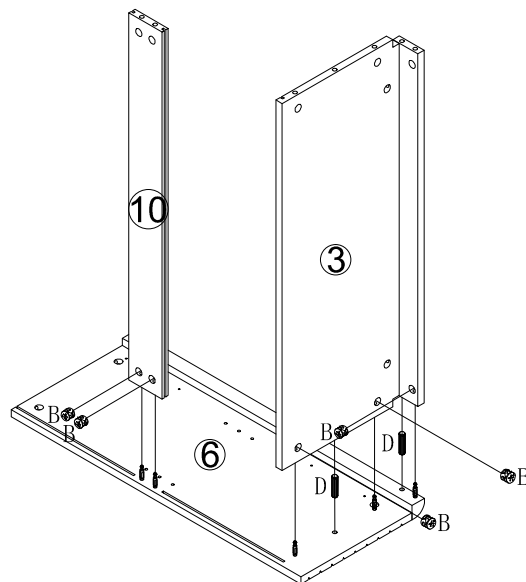
No. B
Quantity: 2 Pcs
Ø15



No. D
Quantity: 1 Pcs
8*30mm



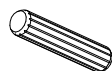
STEP 16



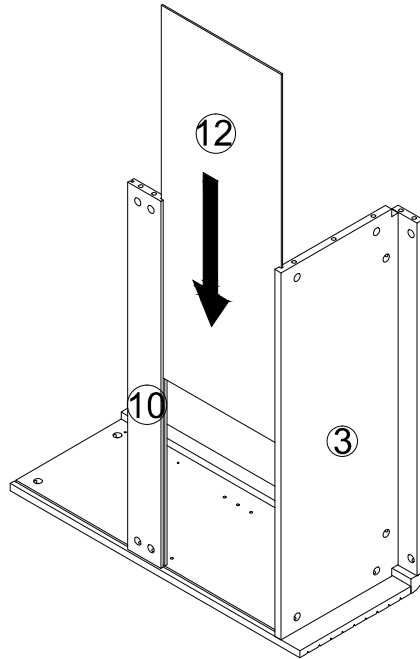
No. B
Quantity: 5 Pcs
Ø15



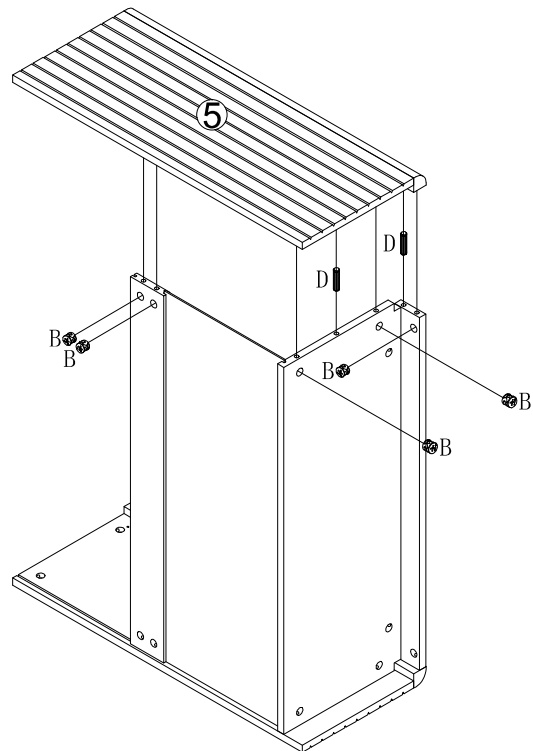
No. D
Quantity: 2 Pcs
8*30mm



STEP 17



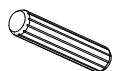
STEP 18



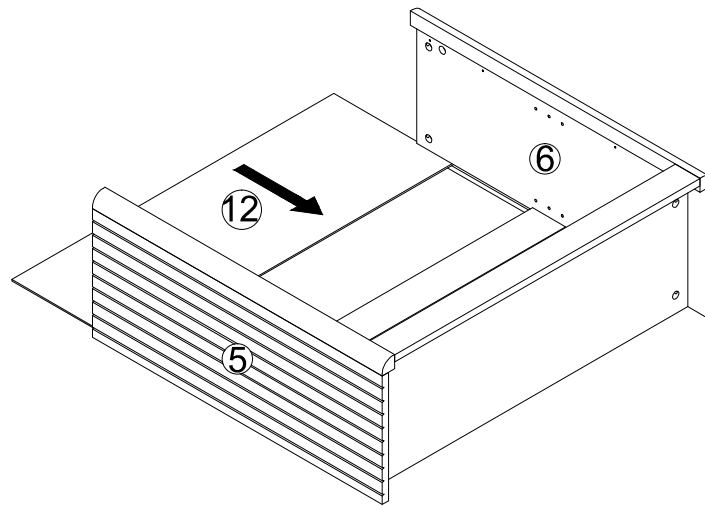
No. B
Quantity: 5 Pcs
Ø15



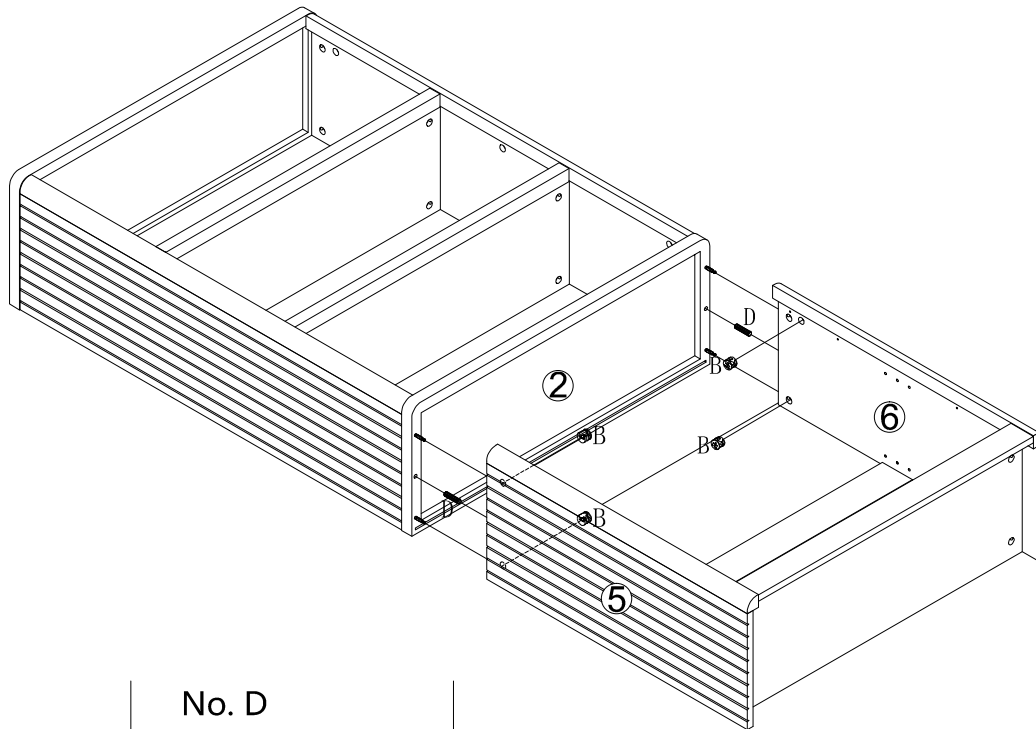
No. D
Quantity: 2 Pcs
8*30mm



STEP 19



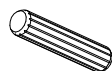
STEP 20



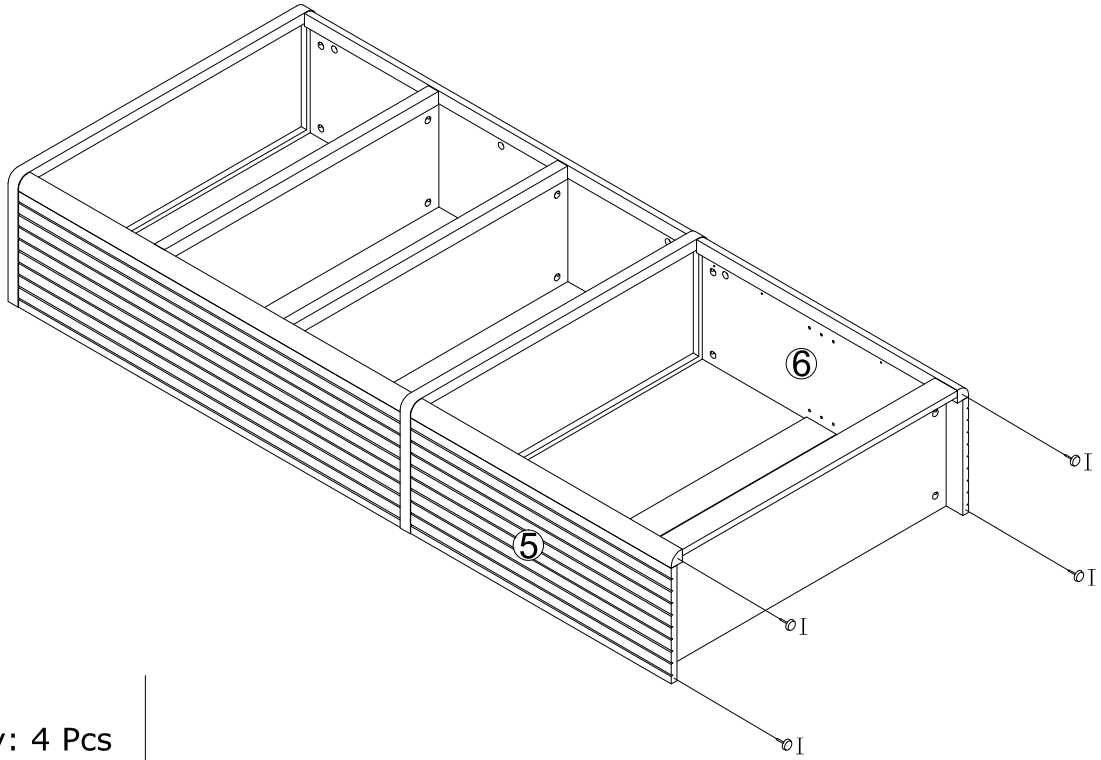
No. B
Quantity: 4 Pcs
Ø15



No. D
Quantity: 2 Pcs
8*30mm



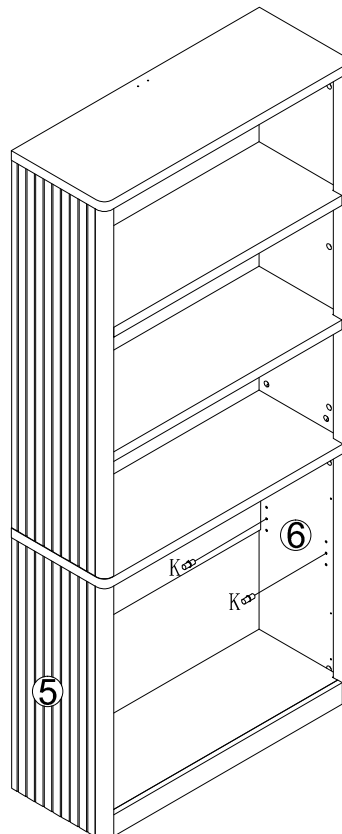
STEP 21



No. I
Quantity: 4 Pcs
Ø15



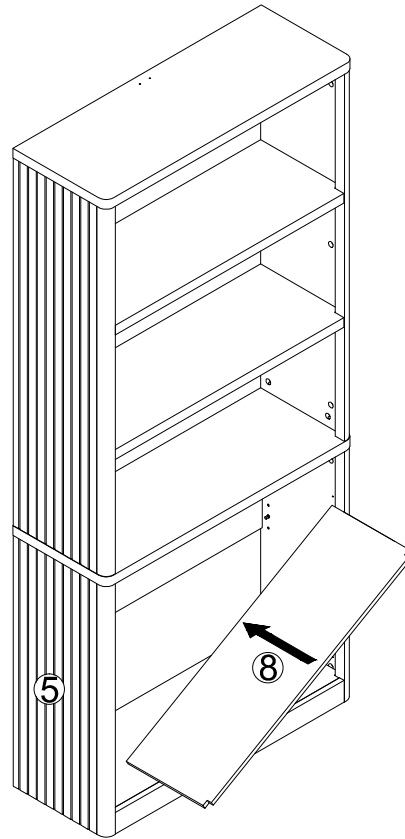
STEP 22



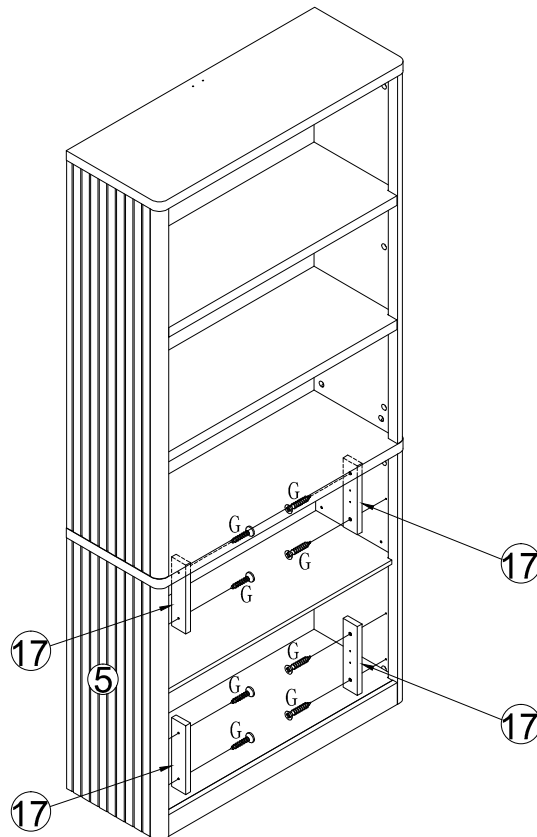
No. K
Quantity: 4 Pcs
M5*15mm



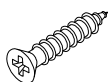
STEP 23



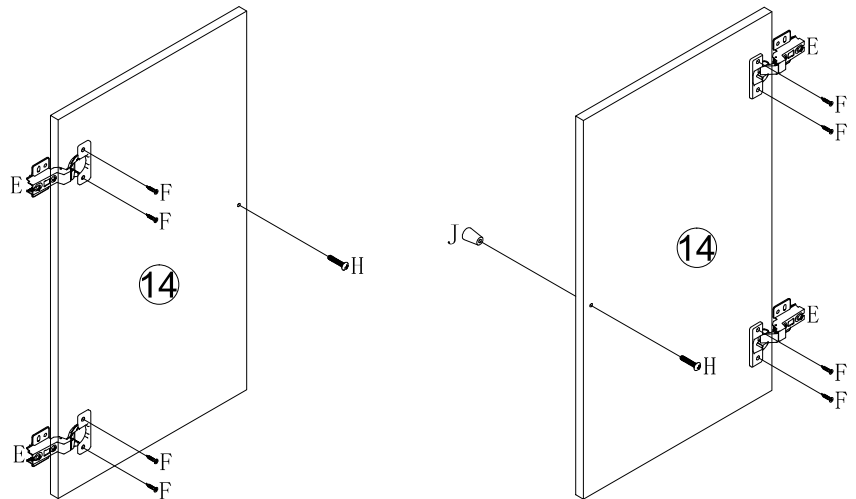
STEP 24



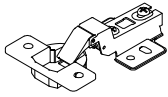
No. G
Quantity: 8 Pcs
M3.5*25mm



STEP 25



No. E
Quantity: 4 Pcs



No. F
Quantity: 8 Pcs
M3.5*12mm



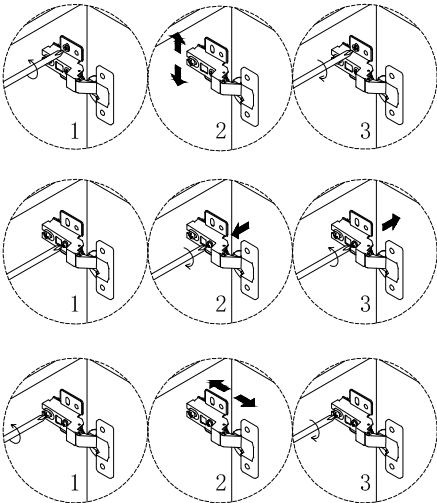
No. H
Quantity: 2 Pcs
M4*18mm



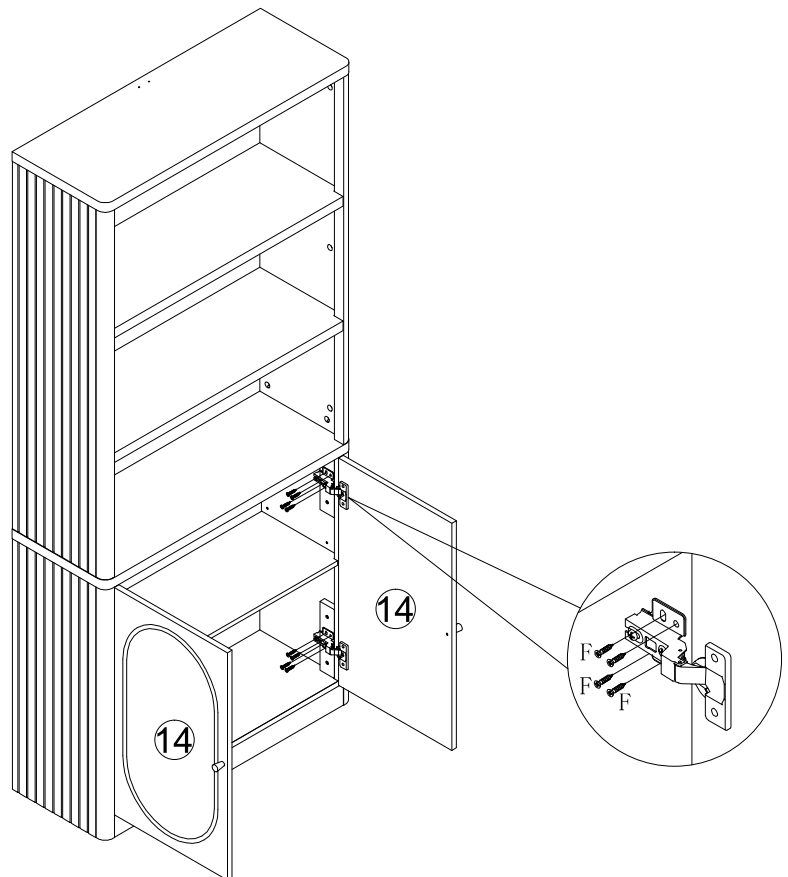
No. J
Quantity: 2 Pcs



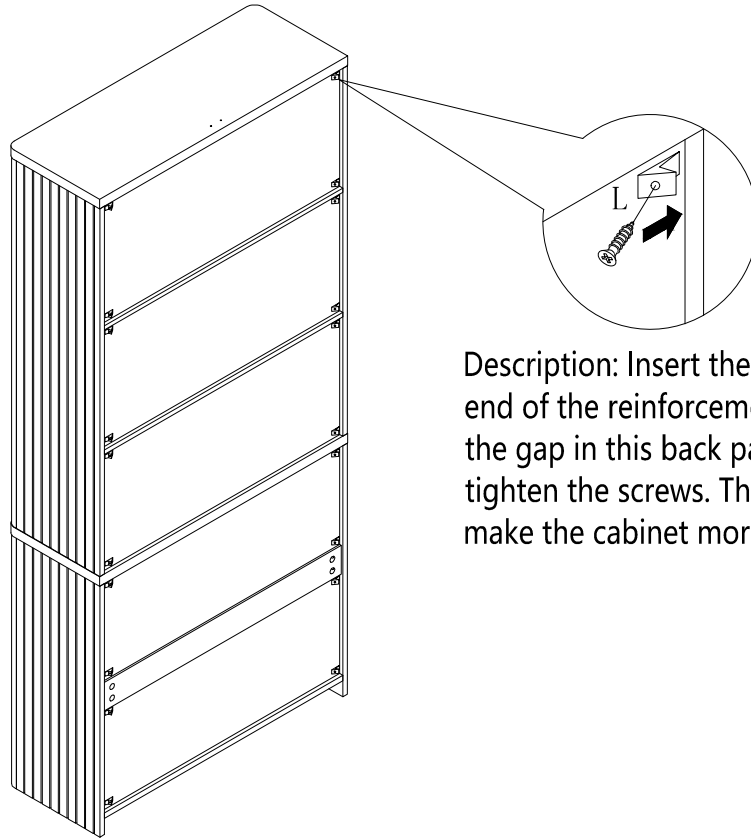
STEP 26



No. F
Quantity: 16 Pcs
M3.5*12mm

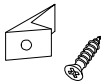


STEP 27

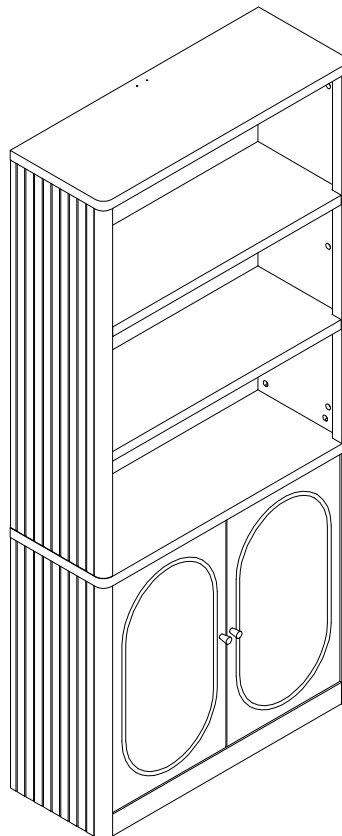


Description: Insert the thinner end of the reinforcement into the gap in this back panel, then tighten the screws. This will make the cabinet more stable.

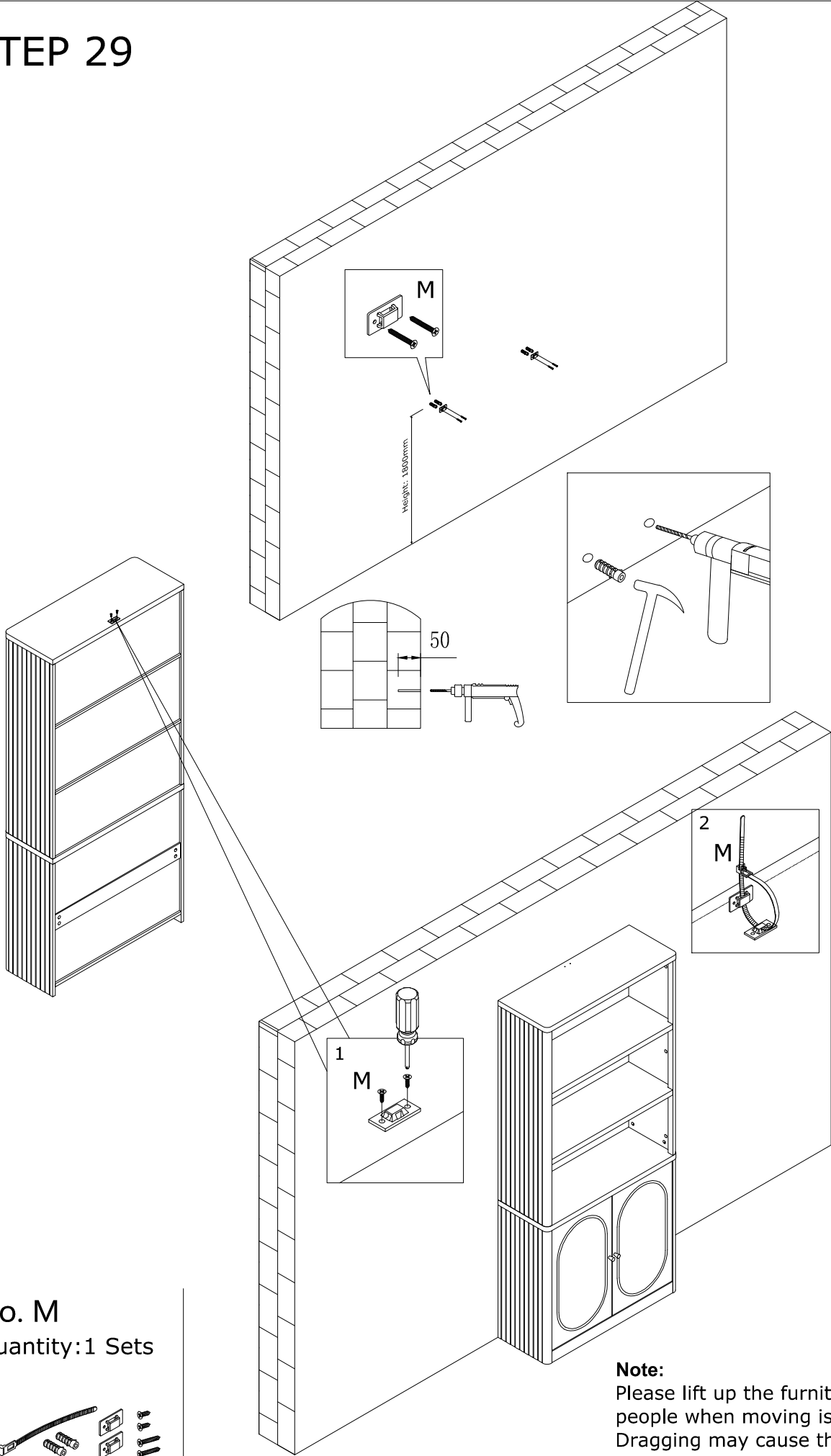
No. L
Quantity: 20 Sets



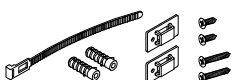
STEP 28



STEP 29



No. M
Quantity: 1 Sets



Note:
Please lift up the furniture by two people when moving is needed.
Dragging may cause the legs failure.