

A × 8



M6 × 15 mm

B × 6



M6 × 25 mm

C × 14



M6 × 30 mm

D × 18



Ø6/Ø14 mm

F × 2



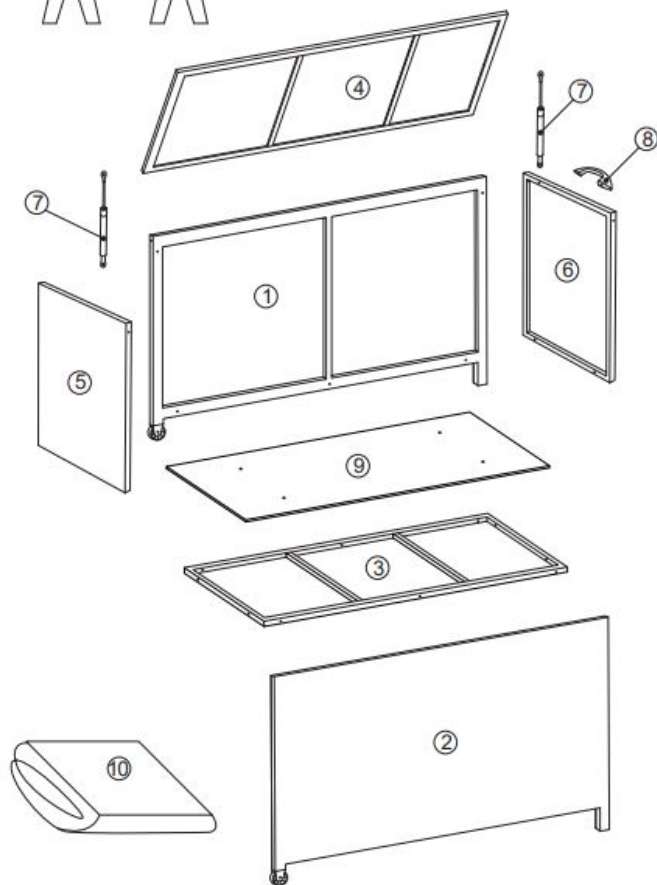
T × 5 mm

G × 2

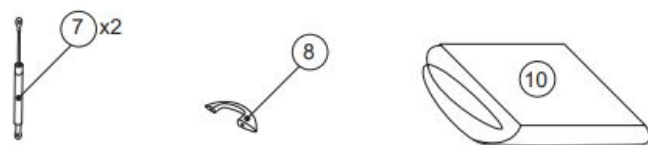
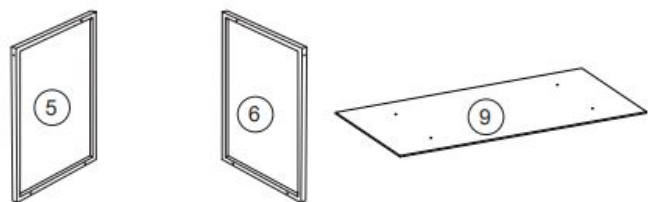
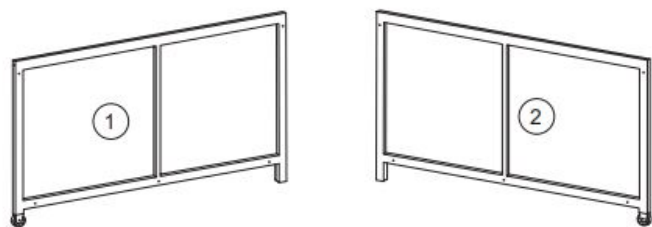


T × 10 mm

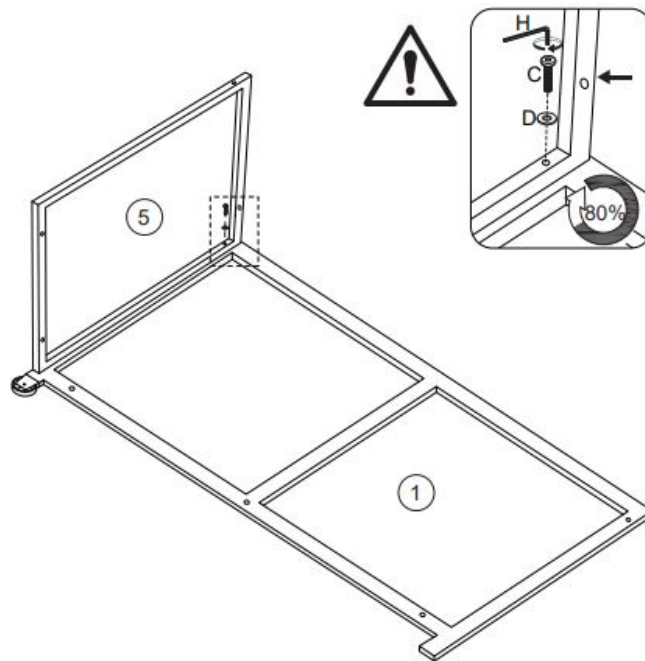
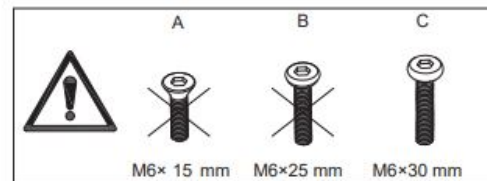
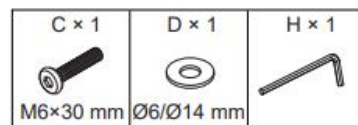
H × 1



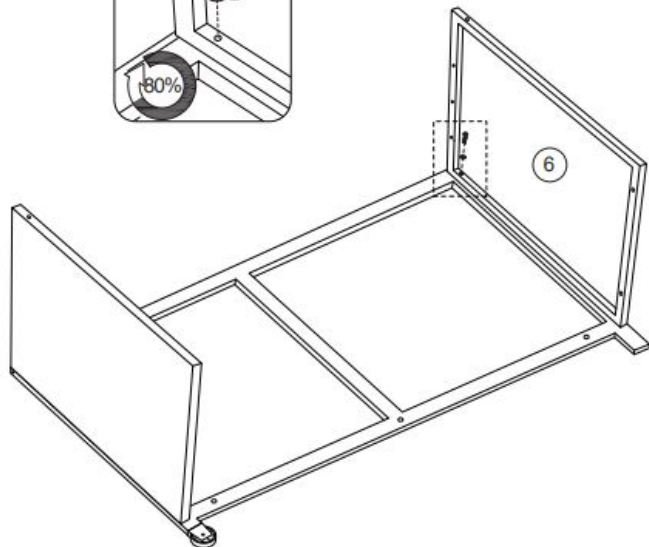
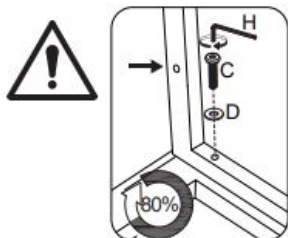
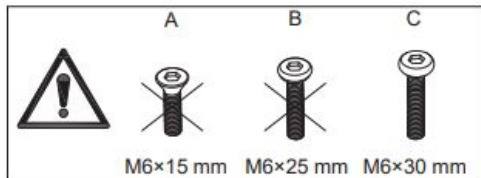
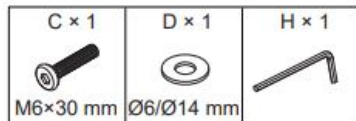
Box 1/1:



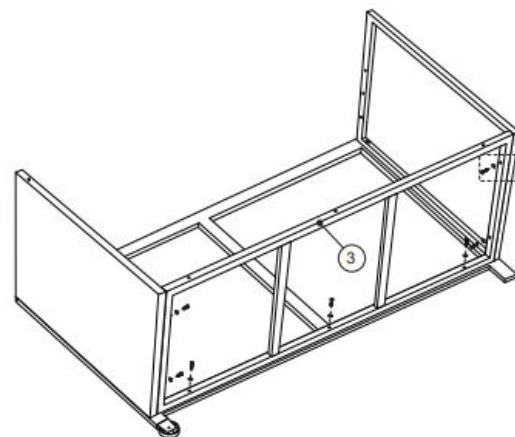
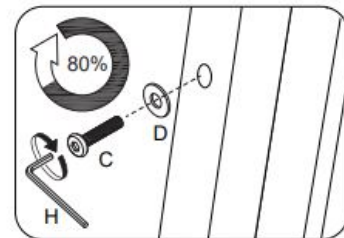
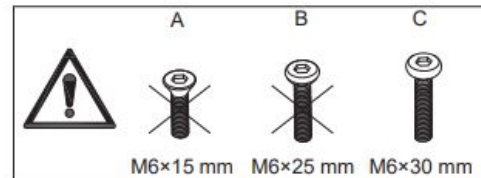
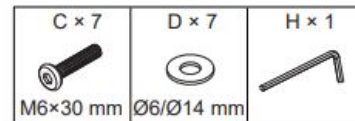
1



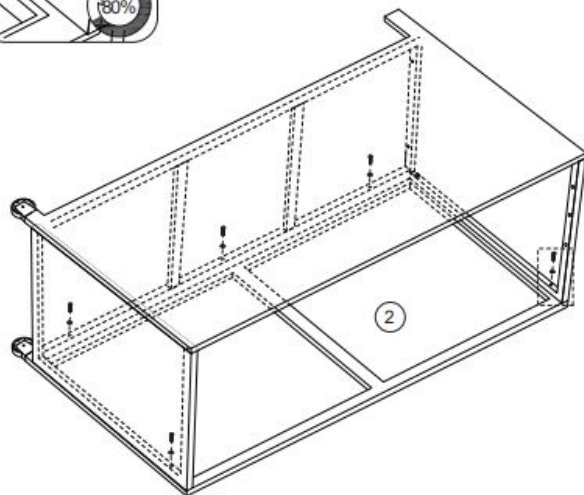
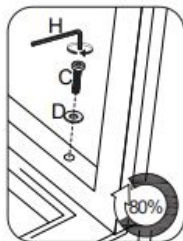
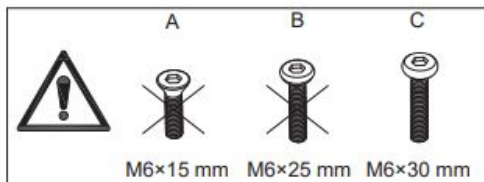
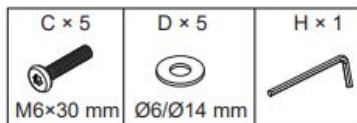
2



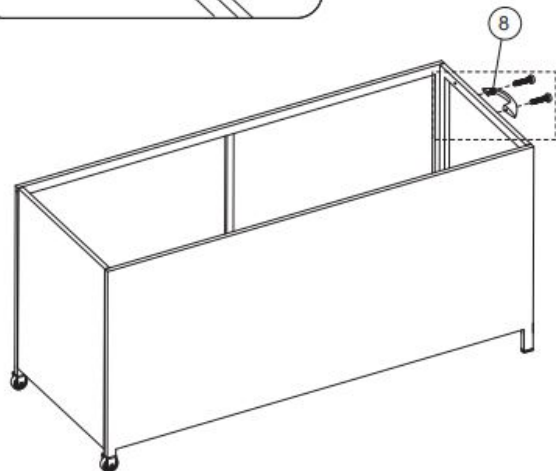
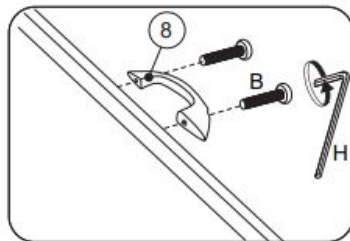
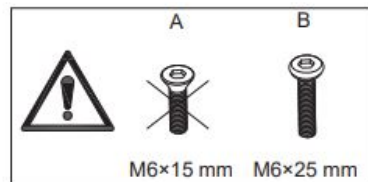
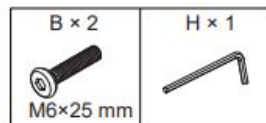
3



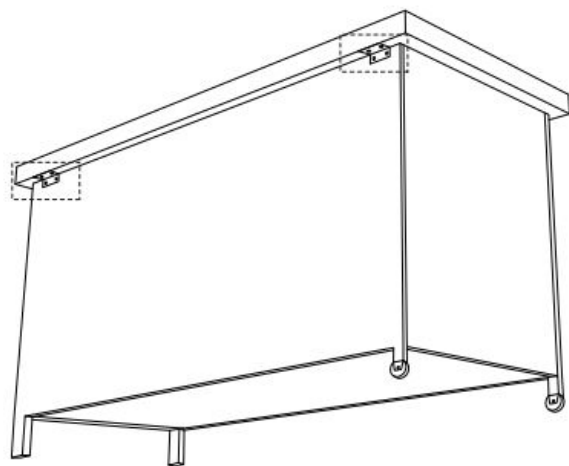
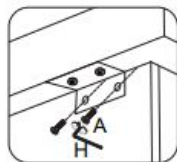
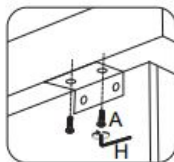
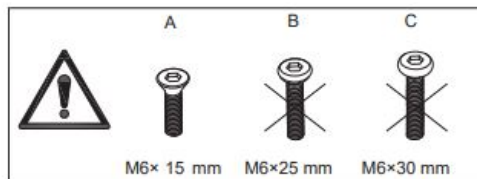
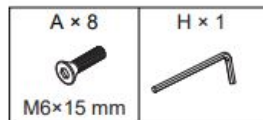
4



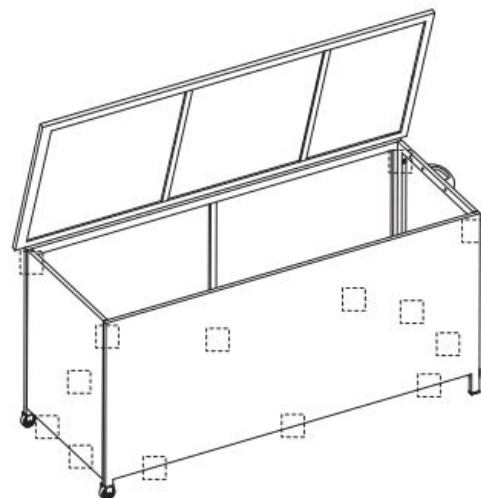
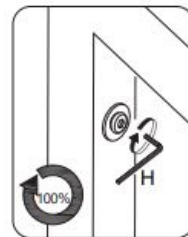
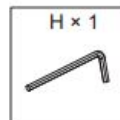
5



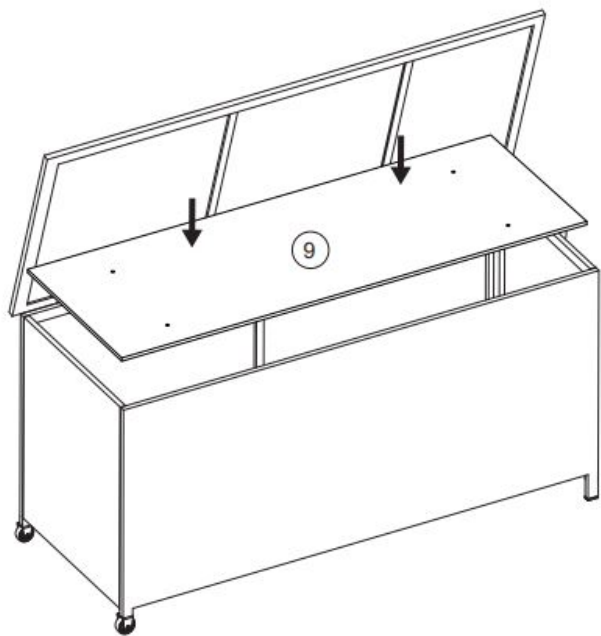
6



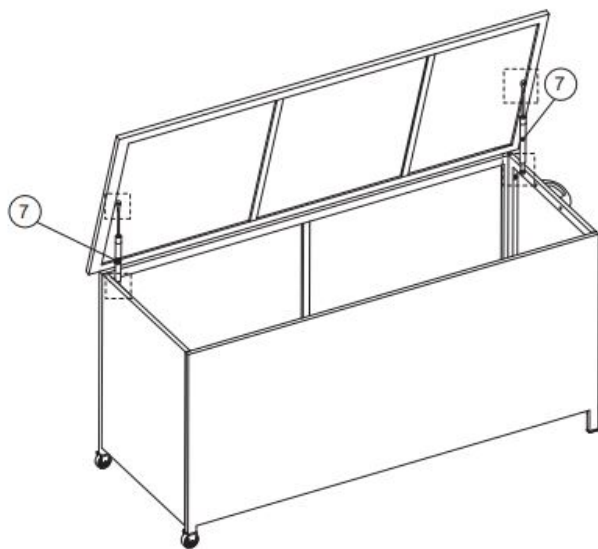
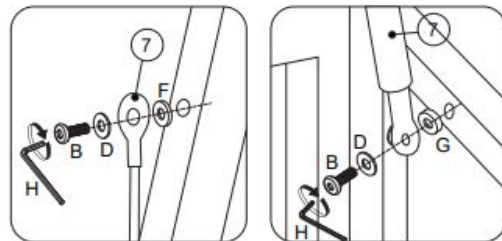
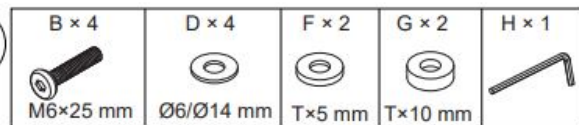
7



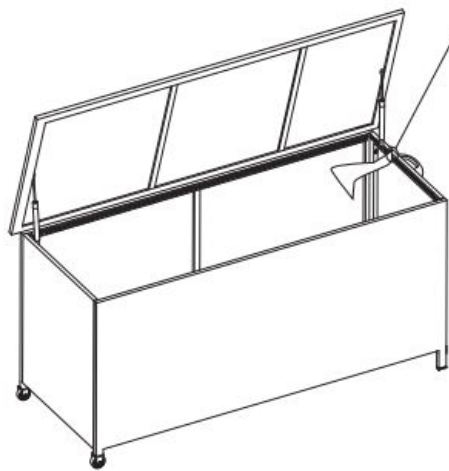
8



9



10



11

