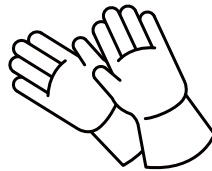
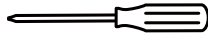
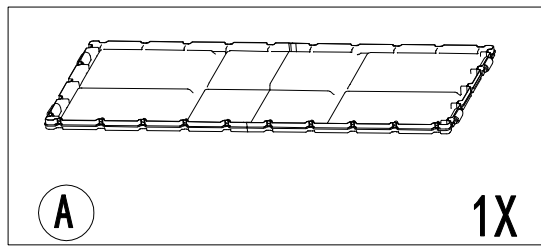


# BEFORE STARTING ASSEMBLY

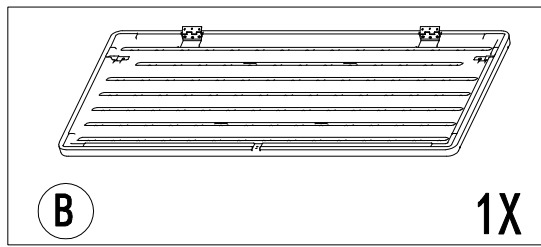
- ① Some parts have metal edges. Please be careful when handling components. Always wear work gloves.
- ② Please check all parts and components to ensure that there are no damages or missing items BEFORE starting the construction of the product.
- ③ Please do not fully tighten the bolts prior to complete assembly.
- ④ Retain for future reference. Read carefully. For domestic use.





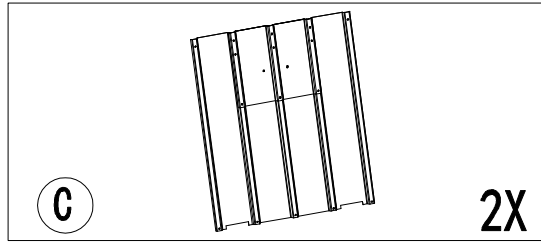
A

1X



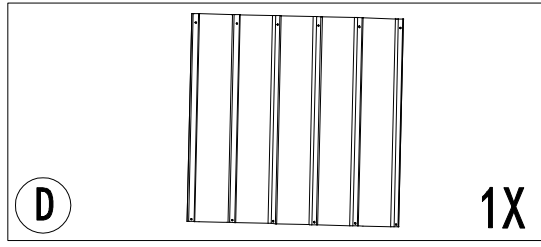
B

1X



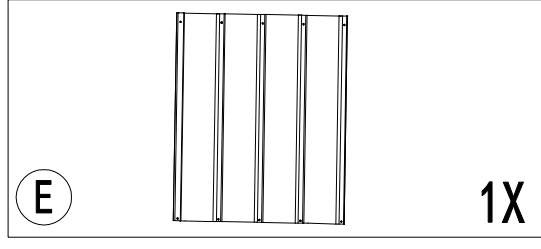
C

2X



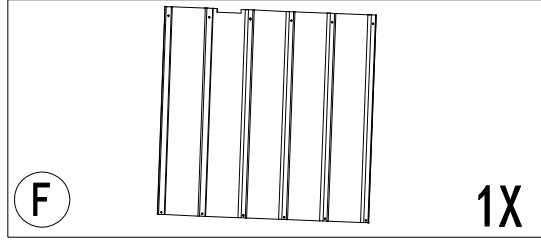
D

1X



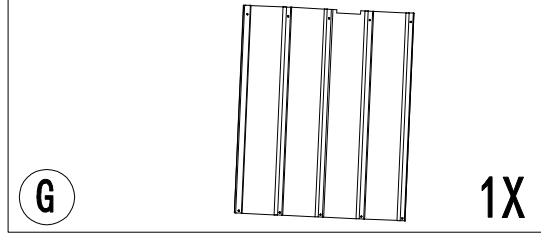
E

1X



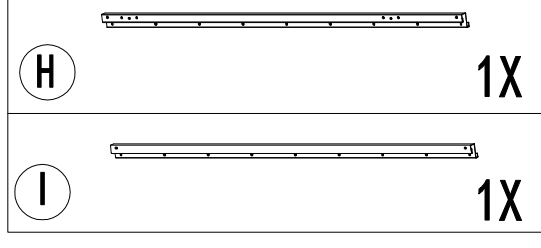
F

1X



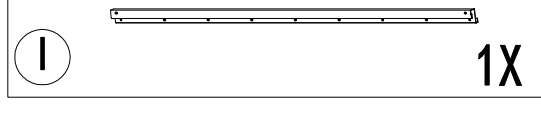
G

1X



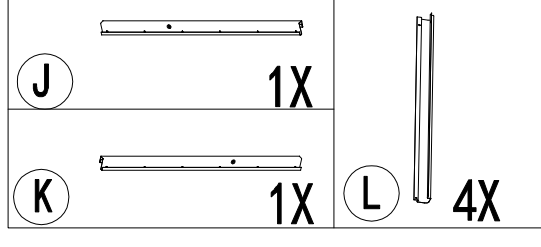
H

1X



I

1X

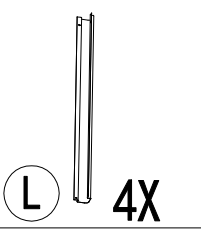


J

1X

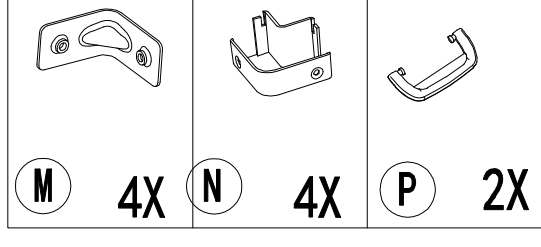
K

1X



L

4X



M

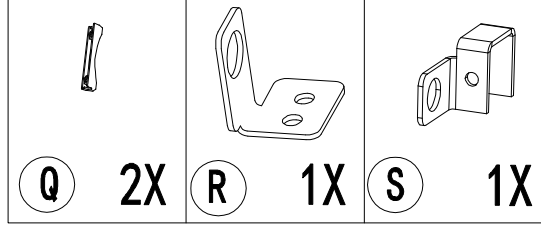
4X

N

4X

P

2X



Q

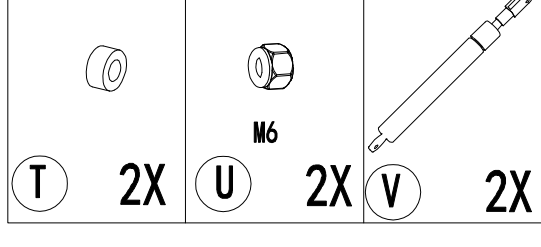
2X

R

1X

S

1X



T

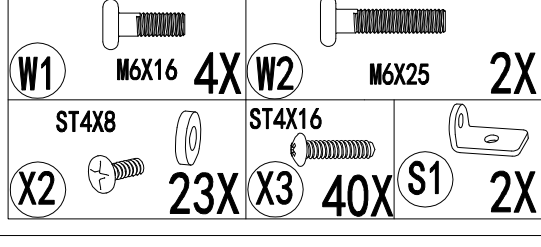
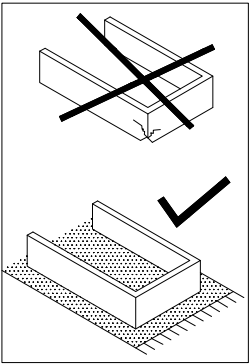
2X

U

2X

V

2X



W1

M6X16

4X

W2

M6X25

2X

X1

14X

X2

ST4X8

23X

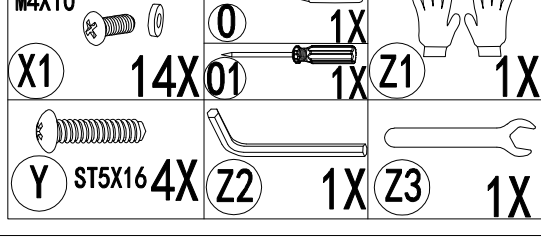
X3

ST4X16

40X

S1

2X



M4X10

X0

1X

X1

14X

X2

1X

X3

1X

Y

ST5X16

4X

Z1

1X

Z2

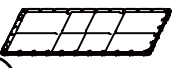

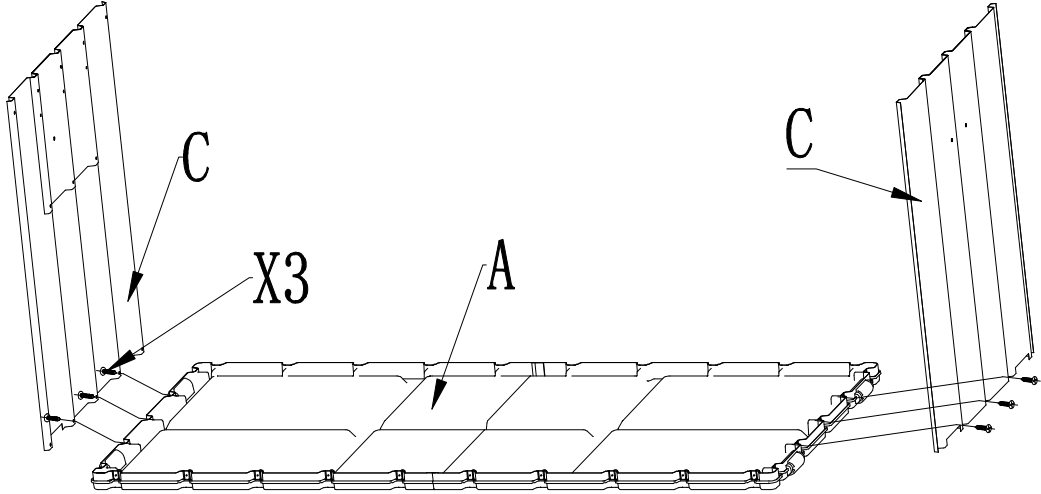
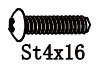



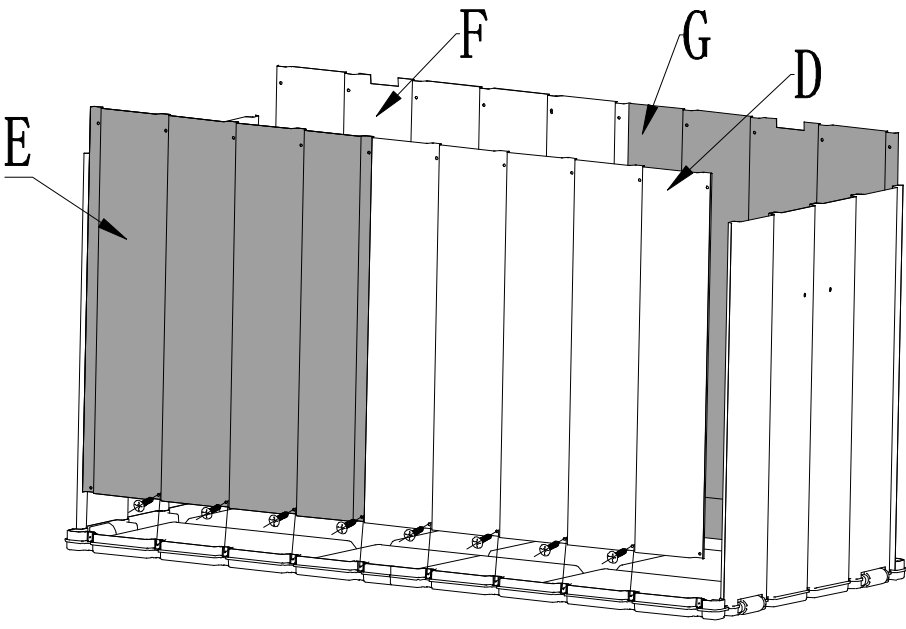

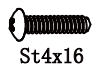
1X

Z3

1X

1

⚠ Please do not fully tighten the bolts prior to complete assembly.

 <p><b>A</b> 1X</p>	<p>(1) Place part #C on part #A, align the screw holes, and secure with 3 bolts #X3.</p> <p>(2) Repeat the above procedure to assemble the other side.</p>
 <p><b>C</b> 2X</p>	
 <p><b>X3</b> 6X</p>	
 <p><b>D</b> 1X</p>	<p><b>Step 1:</b> Place part #D and part #E on part #A, align the screw holes, and secure with 8 bolt #X3.</p>
 <p><b>E</b> 1X</p>	<p><b>Step 2:</b> Place part #F and part #G on part #A, align the screw holes, and secure with 8 bolt #X3.</p>
 <p><b>F</b> 1X</p>	
 <p><b>G</b> 1X</p>	
 <p><b>X3</b> 16X</p>	
<p>2</p>	

Insert 4 part #L into the 4 corners of the deck box and secure with 8 bolt #X3.



(L)

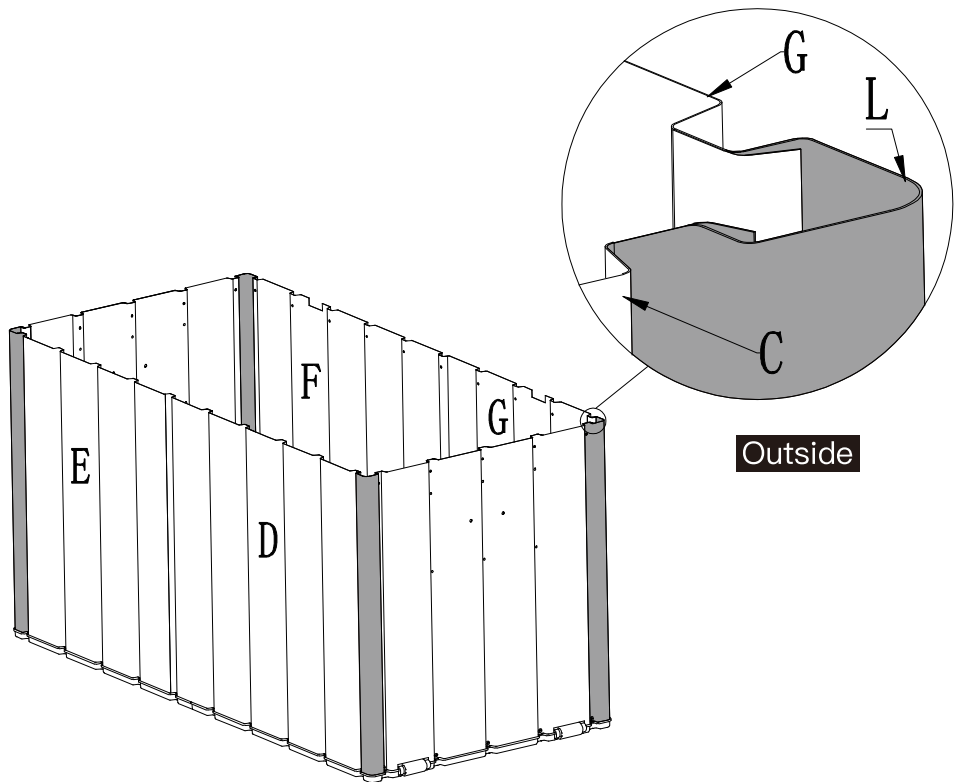
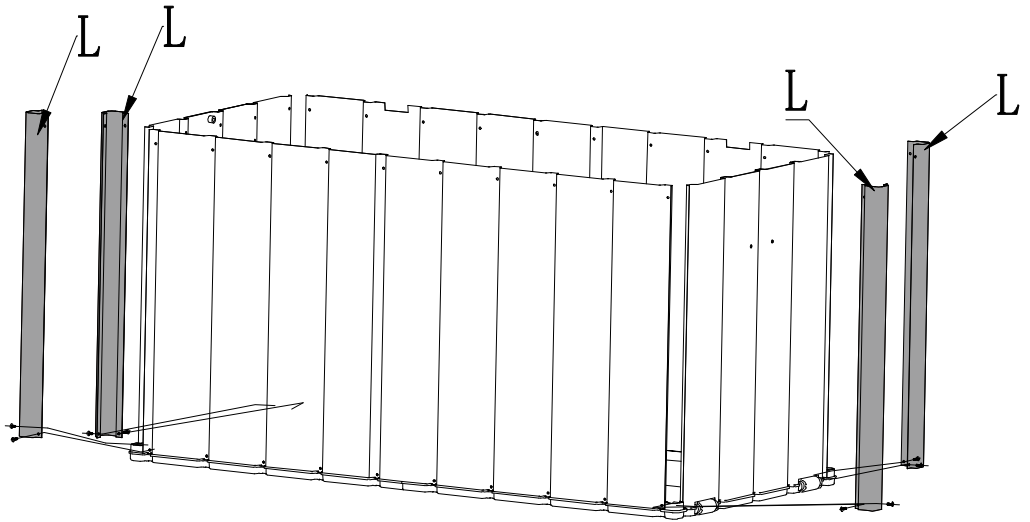
4X









St4x16


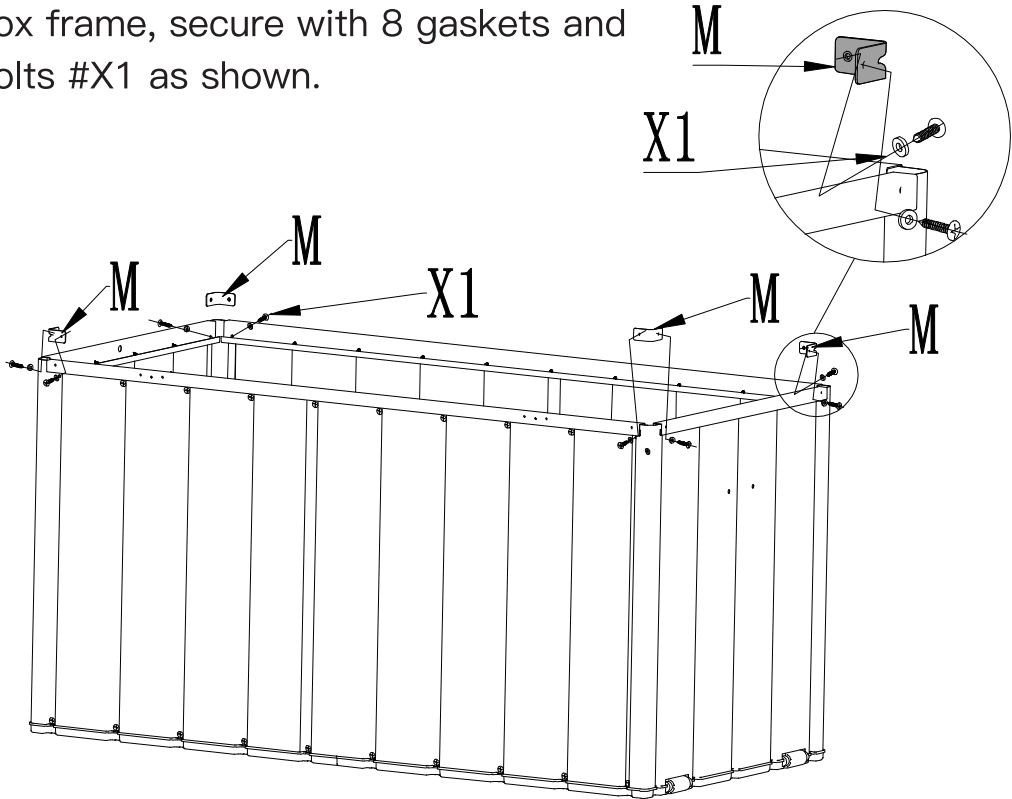

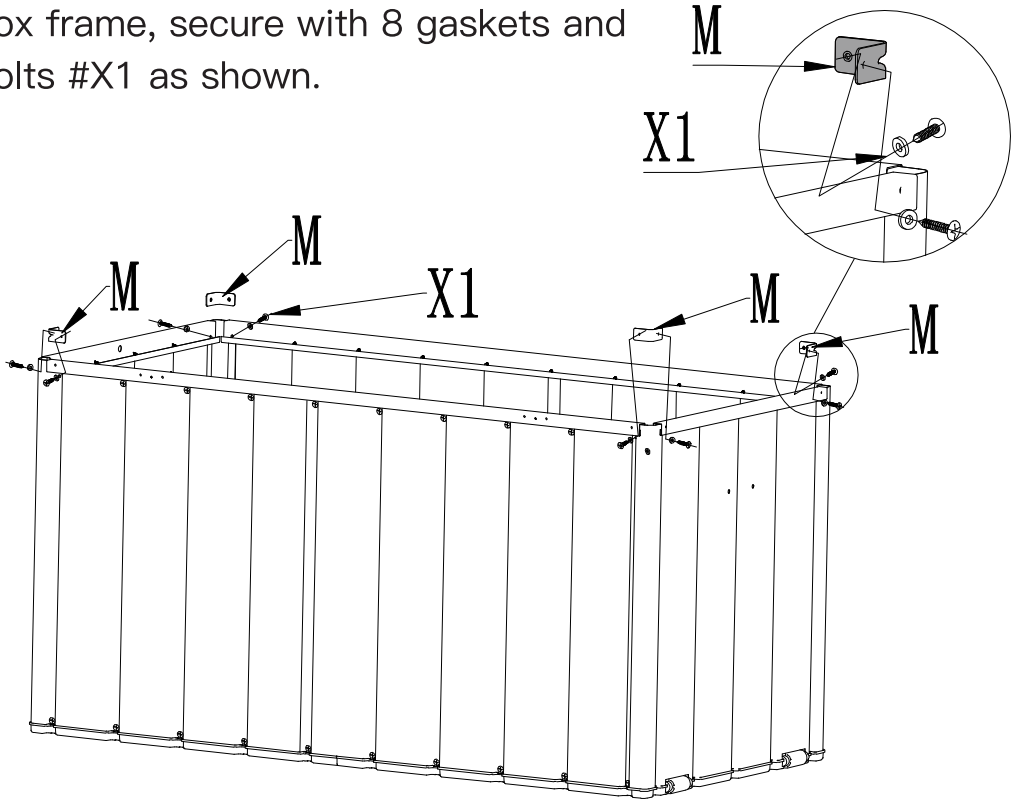

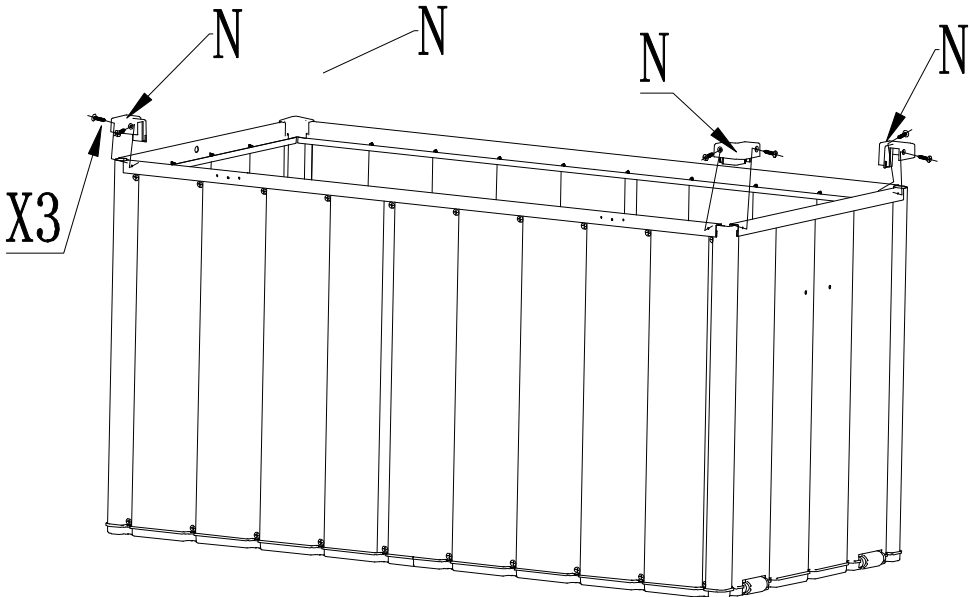

(X3)


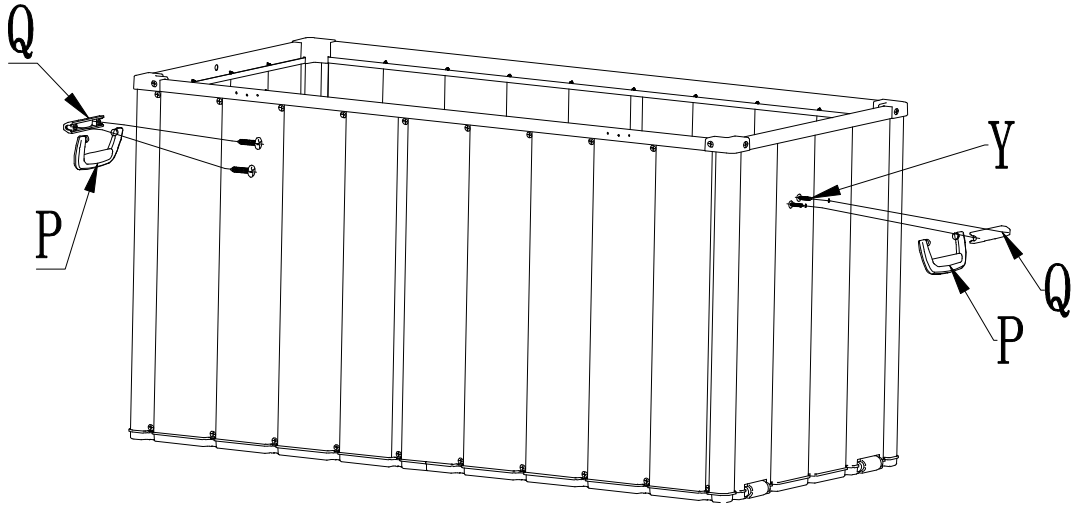



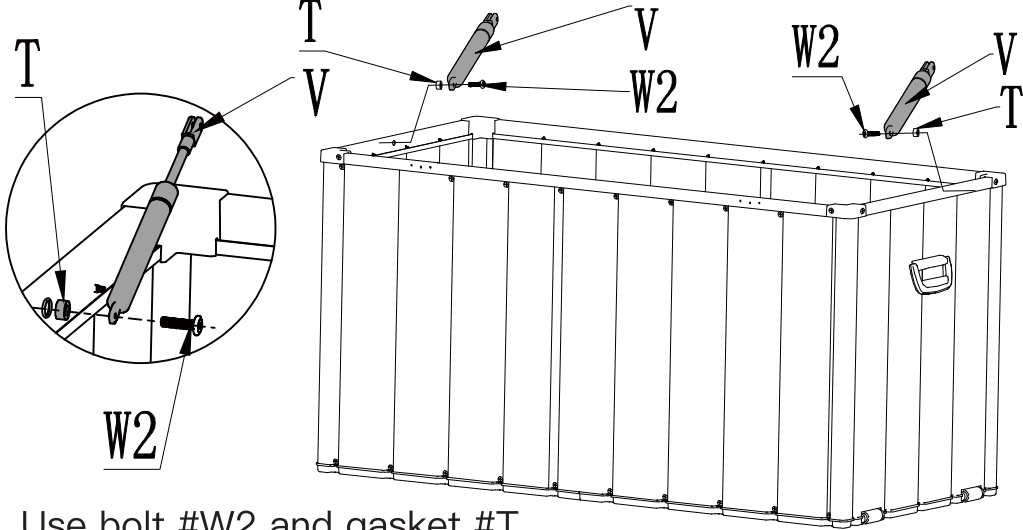



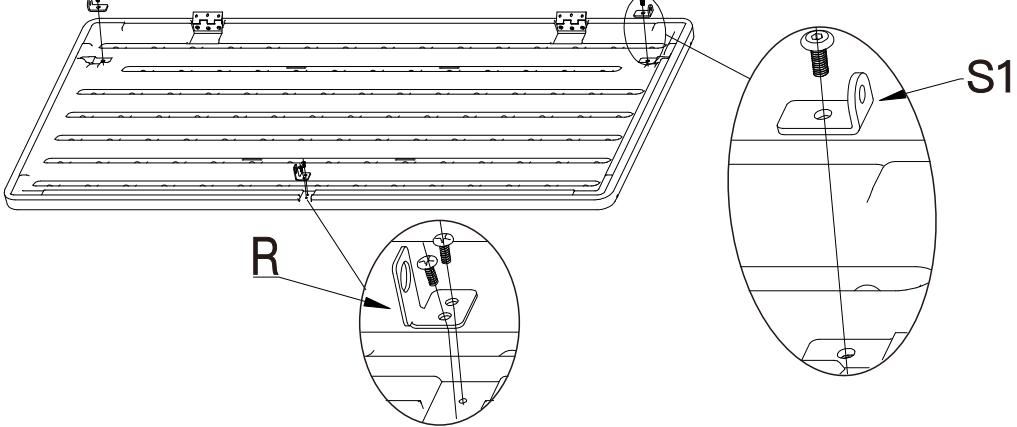


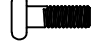

8X

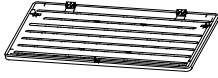
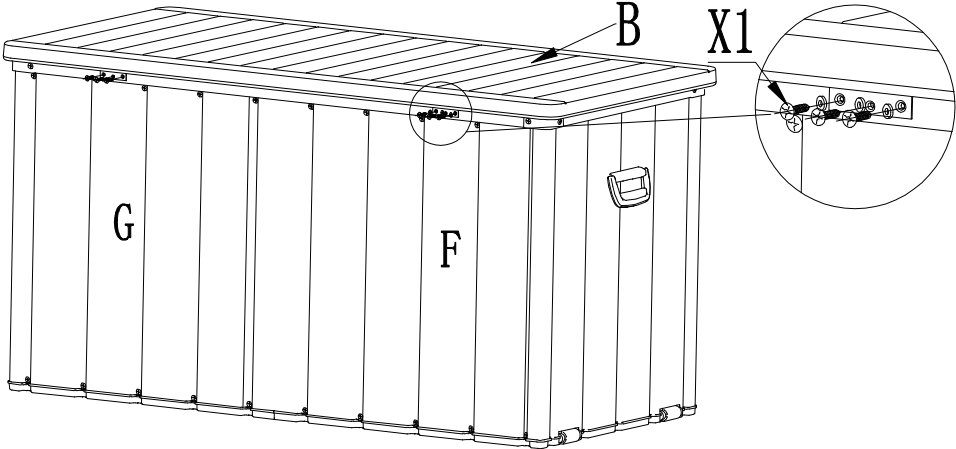


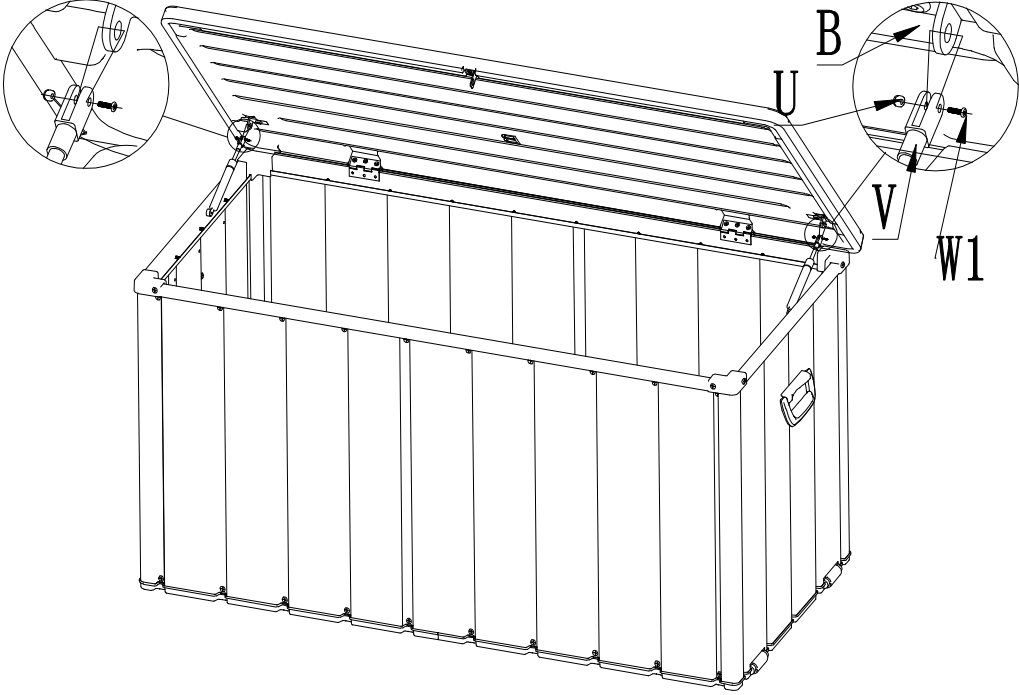
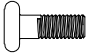


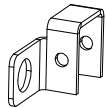
3

 <p>(H) 1X</p>	 <p><b>Step 1:</b> Place part #H on the storage panel #G &amp; #F as shown, align the screw holes, and secure with 8 gaskets and bolts #X2.</p> <p><b>Step 2:</b> Place part #I on the storage panel #D and panel #E as shown, align the screw holes, and secure with 8 gaskets and bolts #X2.</p> <p><b>Step 3:</b> Place part #J on the storage panel as shown, align the screw holes, and secure with 3 gaskets and bolts #X2.</p> <p><b>Step 4:</b> Place part #K on the storage panel as shown, align the screw holes, and secure with 3 gaskets and bolts #X2.</p>
 <p>(I) 1X</p>	
 <p>(J) 1X</p>	
 <p>(K) 1X</p>	
 <p>St4x8</p> <p>(X2) 22X</p>	
<p>4</p>	

 <p>(M) 4X</p>	<p>Place 4 part #M on the inside of the box frame, secure with 8 gaskets and bolts #X1 as shown.</p> 
 <p>M4x10</p> <p>(X1) 8X</p>	
 <p>(N) 4X</p>	
 <p>St4x16</p> <p>(X3) 8X</p>	<p>Cover 4 part #N on the corner of the box, secure with 8 bolt #X3 as shown.</p>
<p>5</p>	

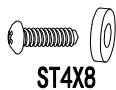
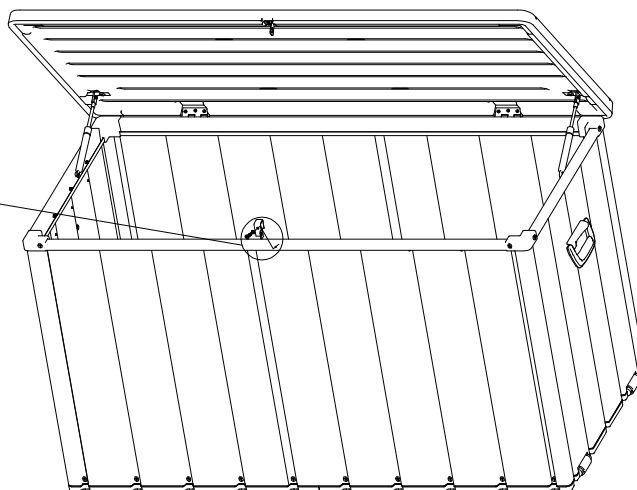
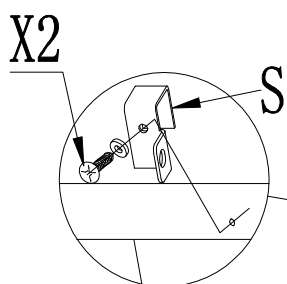
 <b>(P)</b> 2X	
 <b>(Q)</b> 2X	
 St5x16 <b>(Y)</b> 4X	
<p>Step 1: Connect part #P and part #Q.            Step 2: Use bolt #Y to secure them to the storage panel.</p>	
 <b>(V)</b> 2X	
 <b>(T)</b> 2X	
 M6x25 <b>(W2)</b> 2X	
<p>Use bolt #W2 and gasket #T to secure part #V on the storage panel as shown.</p>	
 <b>(B)</b> 1X	
 <b>(R)</b> 1X	
 <b>(S1)</b> 2X	
 M6X16 <b>(W1)</b> 2X	
 ST4X16 <b>(X3)</b> 2X	
<p>Use 2 bolts #X3 to fix part #R, 2 bolts #W1 to fix part #S1 to the lid as shown.</p>	
<b>6</b>	

 <p><b>(B)</b> 1X</p>	 <p>Place part #B on the storage panel #F &amp; #G, align the screw holes, and secure with 6 gaskets and bolts #X1 as shown.</p> <p><b>▲ Tighten all the bolts.</b></p>
 <p>M4X10</p> <p><b>(X1)</b> 6X</p>	
 <p><b>(U)</b> 2X</p>	 <p>(1) Use bolt #W1 and nut #U to connect part #V with the bracket under the lid.</p>
 <p>M6X16</p> <p><b>(W1)</b> 2X</p>	
<p><b>7</b></p>	



(S)

1X

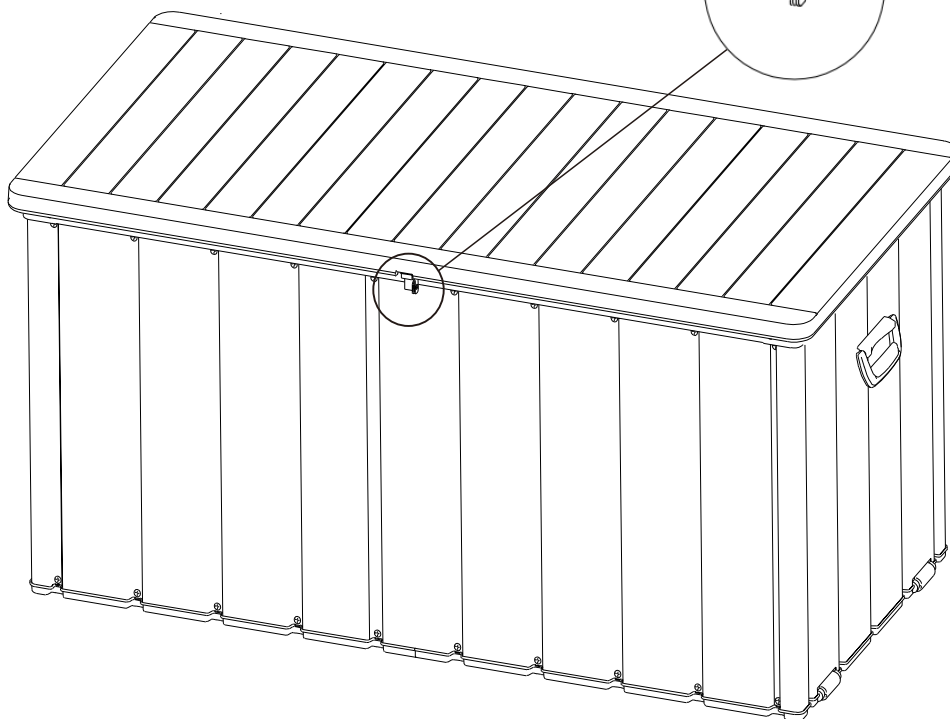
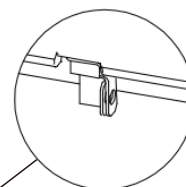


ST4X8

(X2)

1X

(2) Use gasket and bolt #X2 to fix part #S to the storage frame as shown.



8