

Assembly Instructions

PACKAGED

- | | |
|-----------------------------|------------------------------|
| (A) 1 – Table Top | (E) 12 – Lock Washers |
| (B) 3 – Legs | (F) 12 – Flat Washers |
| (C) 1 – Shelf | (G) 3 – Angle Brackets |
| (D) 6 – Long Machine Screws | (H) 6 – Short Machine Screws |

Read all instructions before starting assembly.

Step #1 Remove all the contents from the package checking that all of the components listed in “Packaged” are included. Prepare a flat, protected work surface where the product can be assembled.

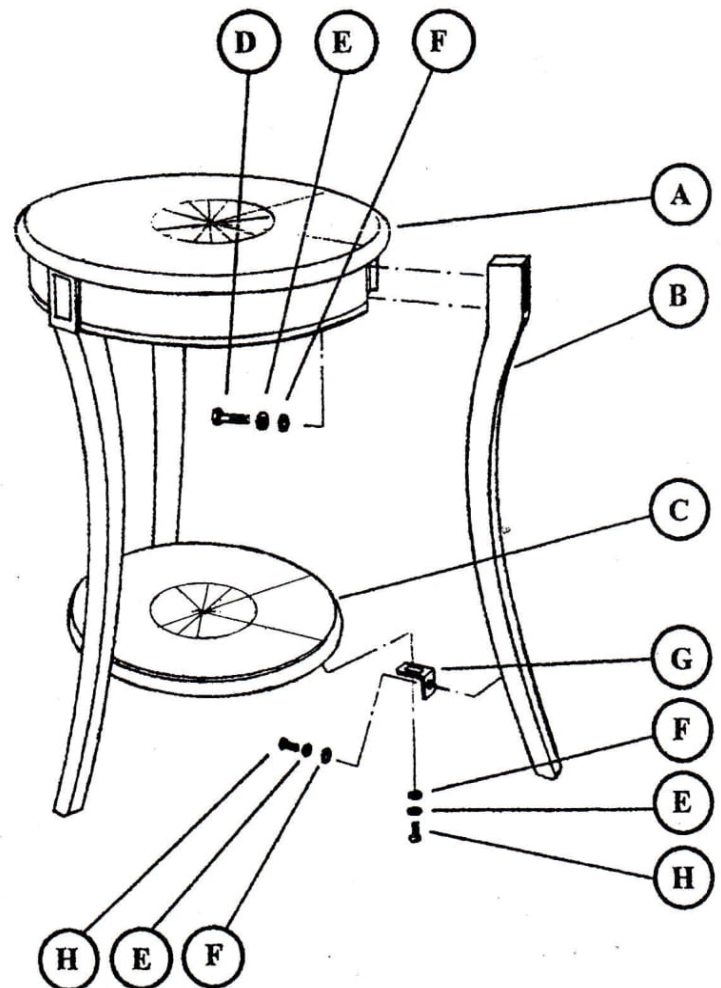
Step #2 Carefully lay Table Top (A) upside down onto protected surface. Align Leg (B) into the apron notch making sure the holes in the apron blocks match up with the threaded insert holes of Leg (B). Attach one Lock Washer (E) and one Flat Washer (F) onto one Long Machine Screw (D). Push Long Machine screw with attached washers through the apron block hole until it engages the threaded insert in Leg and loosely tighten. Install other Long Machine Screw with washers. Repeat procedure for attaching remaining Legs but do not fully tighten leg screws yet.

Step #3 Lay Shelf (C) upside down onto work surface. Align Angle Bracket (G) (with slotted side facing down) on the threaded insert hole of the shelf surface. Attach one Lock Washer (E) and one Flat Washer (F) onto one Short Machine Screw (H). Push Short Machine screw with attached washers thru slot of Angle Bracket until it engages the threaded insert of Shelf bottom and loosely tighten. Attach remaining Angle Brackets to Shelf (C) but do not fully tighten yet.

Step #4 Align Shelf (C) with Angle Brackets attached, (still upside down) between the table legs. Slip Shelf (C) into position making sure the holes of Angle Brackets (G) match up with the corresponding threaded insert of each Leg (B). Attach one Lock Washer (E) and one Flat Washer (F) onto one Short Machine Screw (H). Push Short Machine screw with attached washers thru hole in Angle Bracket (G) until it engages the threaded insert of Leg (C) and loosely tighten. Repeat procedure for installing remaining Short Machine screws thru the Angle Brackets and attaching them to the Legs.

Step #5 Securely* tighten the Long Machine Screws (D) that attach the Legs to the Table Top. Securely* tighten the Short Machine Screws (H) that attach the Angle Bracket (G) to each Leg. Finally, securely* tighten the Short Machine Screws that attach the Angle Brackets (G) to Shelf.

Step #6 Place assembled table into upright position.



(* Caution: DO NOT OVERTIGHTEN.

In any correspondence regarding this product, please include the complete our identification number located on the underside of the product.

We hope this Side Table will be a useful and decorative addition to your home for years to come.